

US00D960321S

(12) **United States Design Patent** (10) **Patent No.:** **US D960,321 S**
Forster (45) **Date of Patent:** **** Aug. 9, 2022**

(54) **VENTURI SIGNAL AMPLIFIER**

(71) Applicant: **Karl Dungs GmbH & Co. KG**,
Urbach (DE)

(72) Inventor: **Joachim Forster**, Winnenden (DE)

(73) Assignee: **Karl Dungs GmbH & Co. KG**,
Urbach (DE)

(**) Term: **15 Years**

(21) Appl. No.: **29/713,874**

(22) Filed: **Nov. 19, 2019**

(30) **Foreign Application Priority Data**

Jun. 11, 2019 (EM) 006574638

(51) **LOC (13) Cl.** **23-01**

(52) **U.S. Cl.**
USPC **D23/233; D23/235**

(58) **Field of Classification Search**

USPC D14/137, 138 R-138 G, 140, 140.1,
D14/155-159, 160-173, 187-188,
D14/189-193, 203.1-203.8, 204-216,
D14/217-222, 225-229, 240-243, 357,
D14/358, 432-438, 496; D16/135;
D23/200-206, 209, 213-221, 233-237,
D23/244, 249, 321, 365, 421
CPC B60R 11/0217; H04M 1/03; H04M 1/035;
H04N 5/642; H04N 21/4852; H04R 1/02;
H04R 1/06; H04R 1/021; H04R 1/025;
H04R 1/026; H04R 1/028; H04R 1/105;
H04R 1/323; H04R 1/403; H04R 1/2803;
H04R 1/2834; H04W 88/08; H04W
88/085; H04W 88/00; H04W 88/005;
H04W 88/02; H04W 88/12; H04W 88/14;
H04W 88/16; H04W 88/18

See application file for complete search history.

(56) **References Cited**

U.S. PATENT DOCUMENTS

D134,735 S * 1/1943 Tompkins D23/229
D231,100 S * 4/1974 Purhonen D23/421

(Continued)

FOREIGN PATENT DOCUMENTS

CN 303107862 * 2/2015
DE 19733768 A1 2/1999

(Continued)

OTHER PUBLICATIONS

Venturi Signal Amplifier (VSA), date not available, [retrieved Apr. 23, 2021], Retrieved from Internet, URL: <https://www.dungs.com/en/product/venturi-signal-amplifier-vsa> (Year: 2021).*

Primary Examiner — Barbara Fox

Assistant Examiner — Aram Kwon

(74) *Attorney, Agent, or Firm* — Fitch, Even, Tabin & Flannery LLP

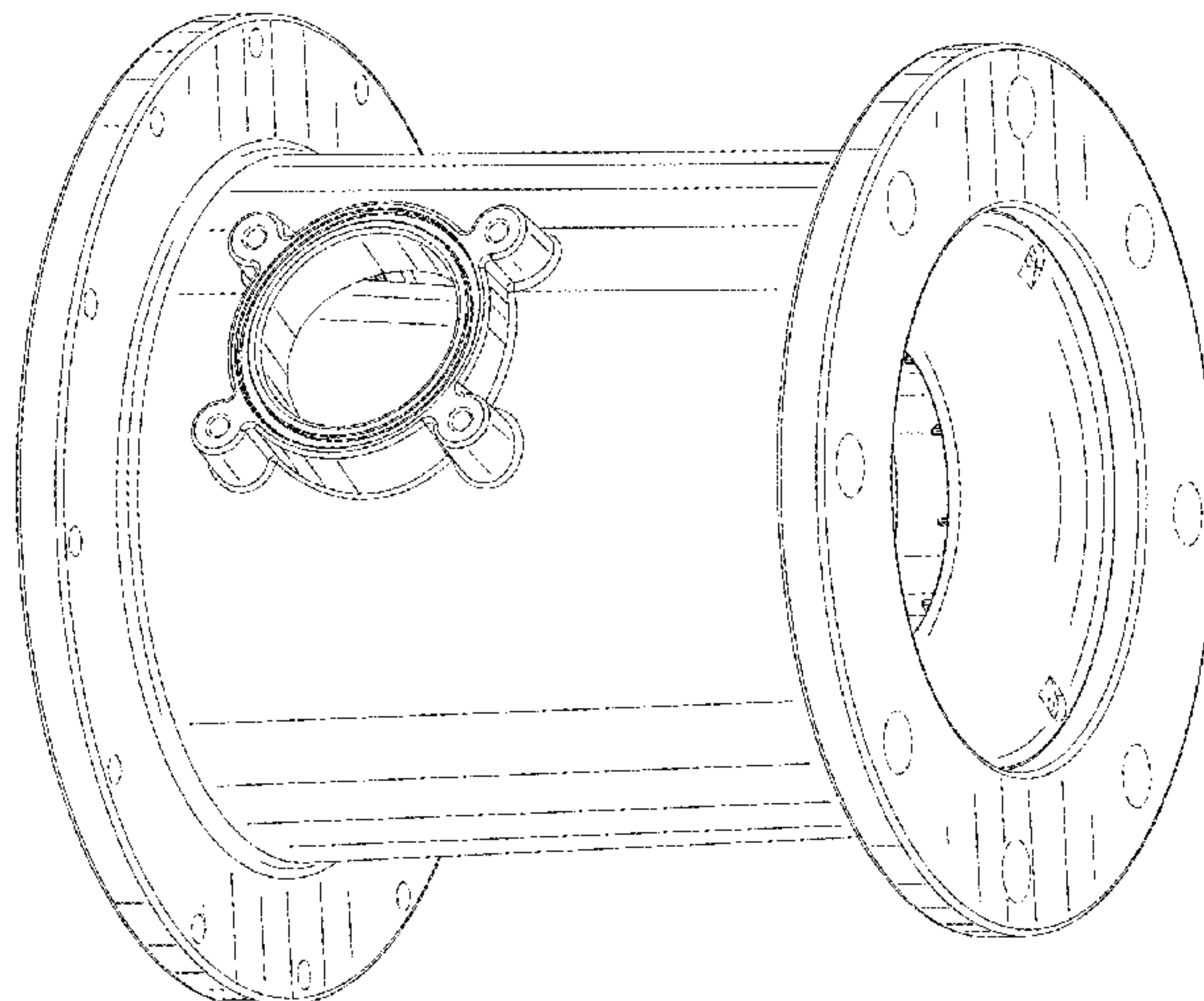
(57) **CLAIM**

I claim the ornamental design for a venturi signal amplifier, as shown and described.

DESCRIPTION

FIG. 1 is a front perspective view of a venturi signal amplifier showing my new design;
FIG. 2 is a front elevation view thereof;
FIG. 3 is a rear elevation view thereof;
FIG. 4 is a rear perspective view thereof;
FIG. 5 is a ninety degree (90°) cross-section thereof;
FIG. 6 is a top plan view of thereof;
FIG. 7 is a bottom plan view thereof;
FIG. 8 is a left-side elevation view thereof; and,
FIG. 9 is a right-side elevation view thereof.
The broken lines shown in the drawings depict portions of the venturi signal amplifier that form no part of the claimed design.

1 Claim, 6 Drawing Sheets



(56)

References Cited

U.S. PATENT DOCUMENTS

3,978,353 A * 8/1976 Kinoshita H04R 1/403
310/317
D299,521 S * 1/1989 Kiyota D23/245
D335,331 S * 5/1993 Weingarten D23/248
D522,499 S * 6/2006 Marcichow D14/225
D617,878 S * 6/2010 Weingarten D23/244
D756,484 S * 5/2016 Johnson D23/209
D877,298 S * 3/2020 Auxter D23/249
D895,566 S * 9/2020 Laube D14/172
2018/0051872 A1* 2/2018 Ivey F21S 8/026
2018/0058629 A1* 3/2018 Hart E04B 9/006
2019/0230424 A1* 7/2019 Christie H04R 1/021

FOREIGN PATENT DOCUMENTS

DE 102011002324 A1 10/2012
EM 006574638-0001 * 8/2019
EP 0896191 B1 2/1999
EP 0896192 A2 2/1999
EP 2014979 A2 1/2009

* cited by examiner

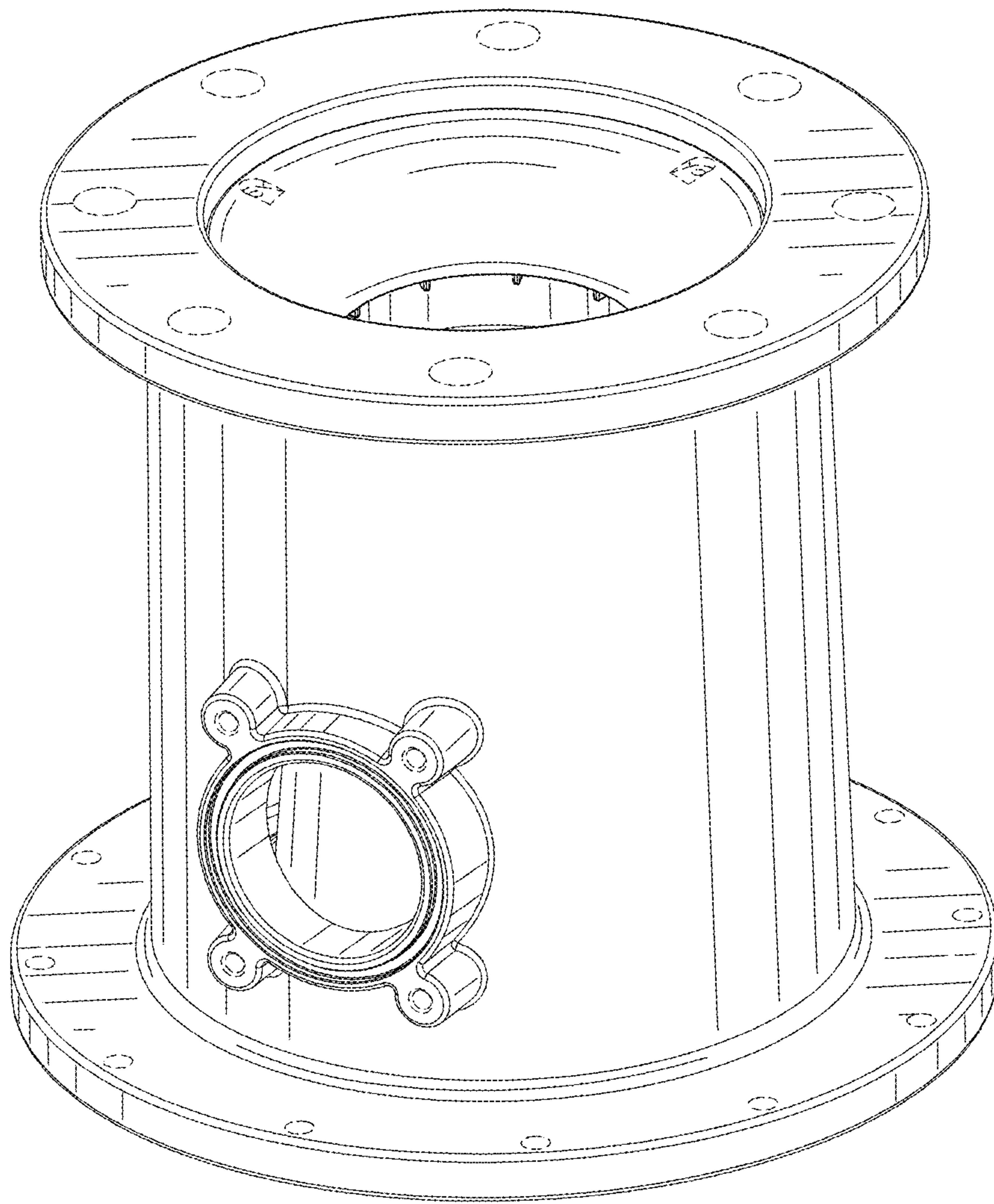


FIG. 1

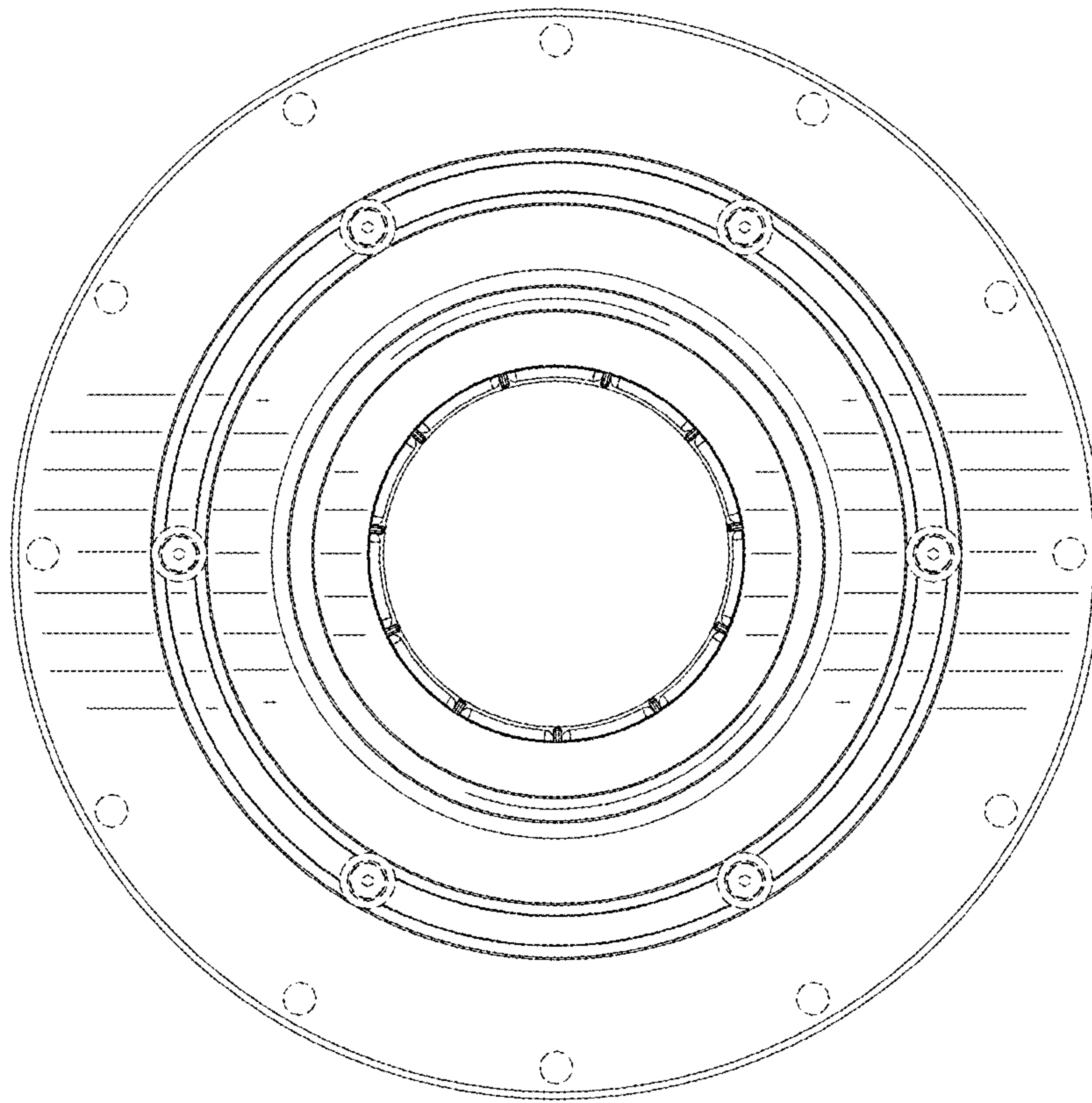


FIG. 3

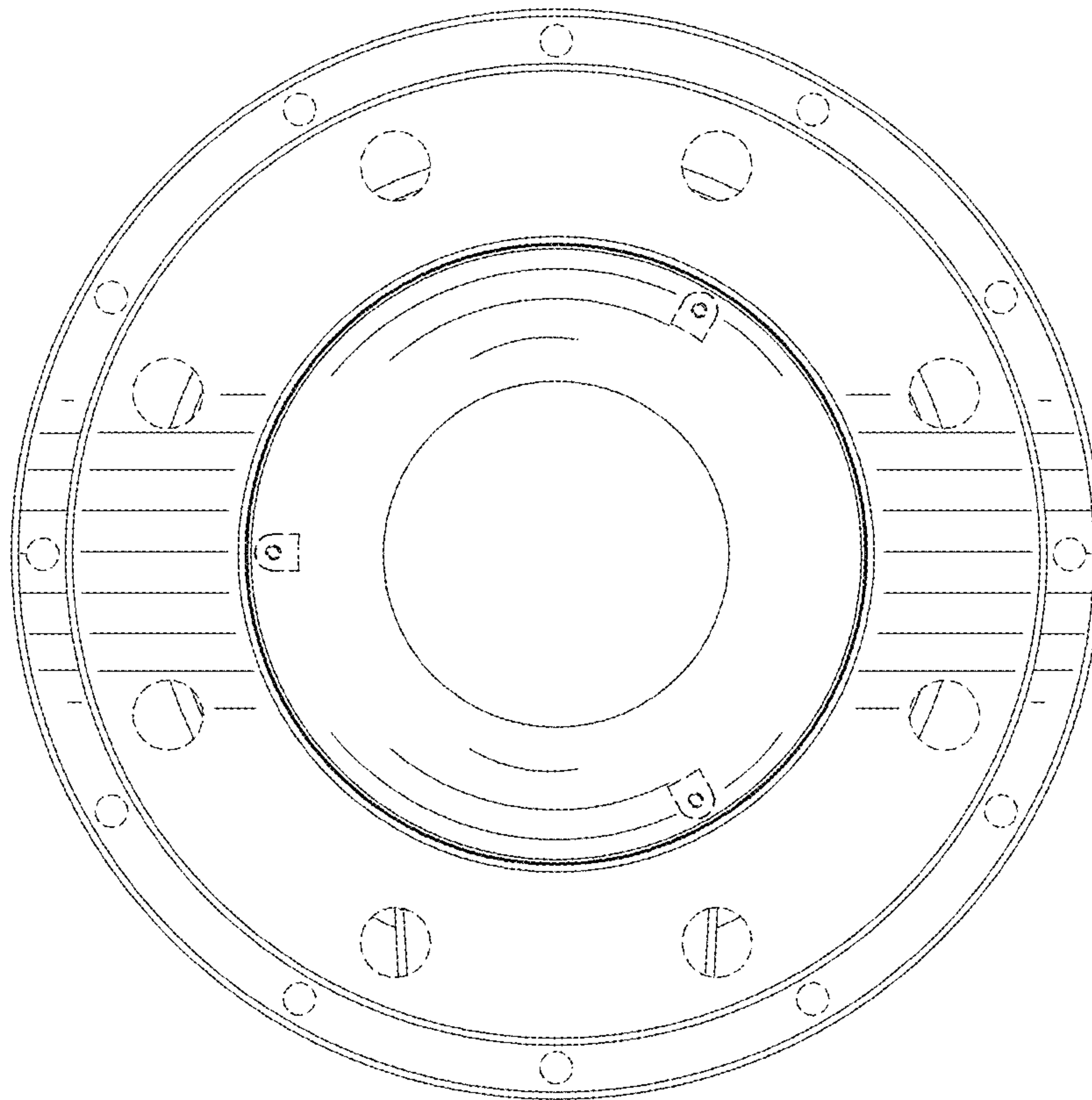


FIG. 2

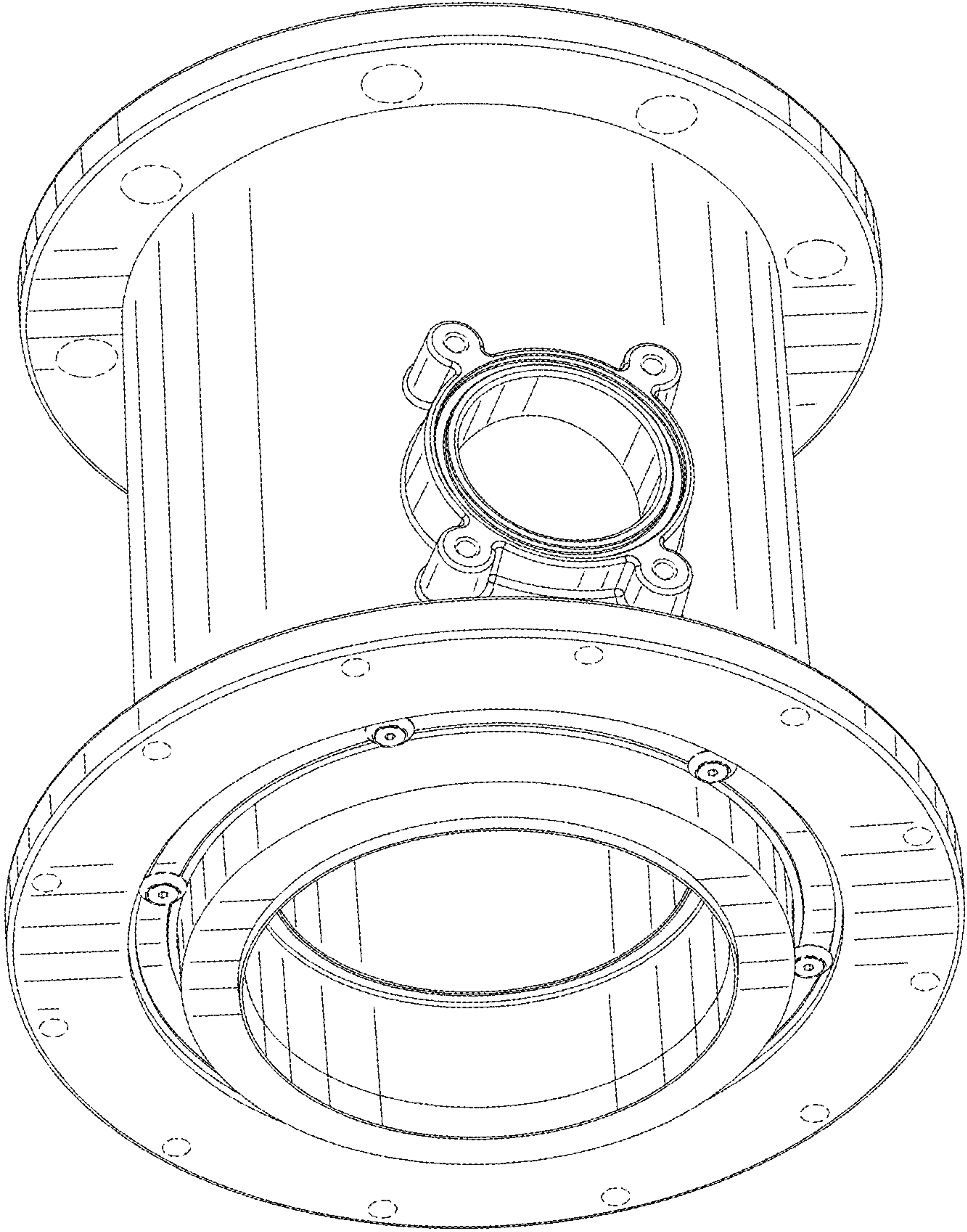


FIG. 4

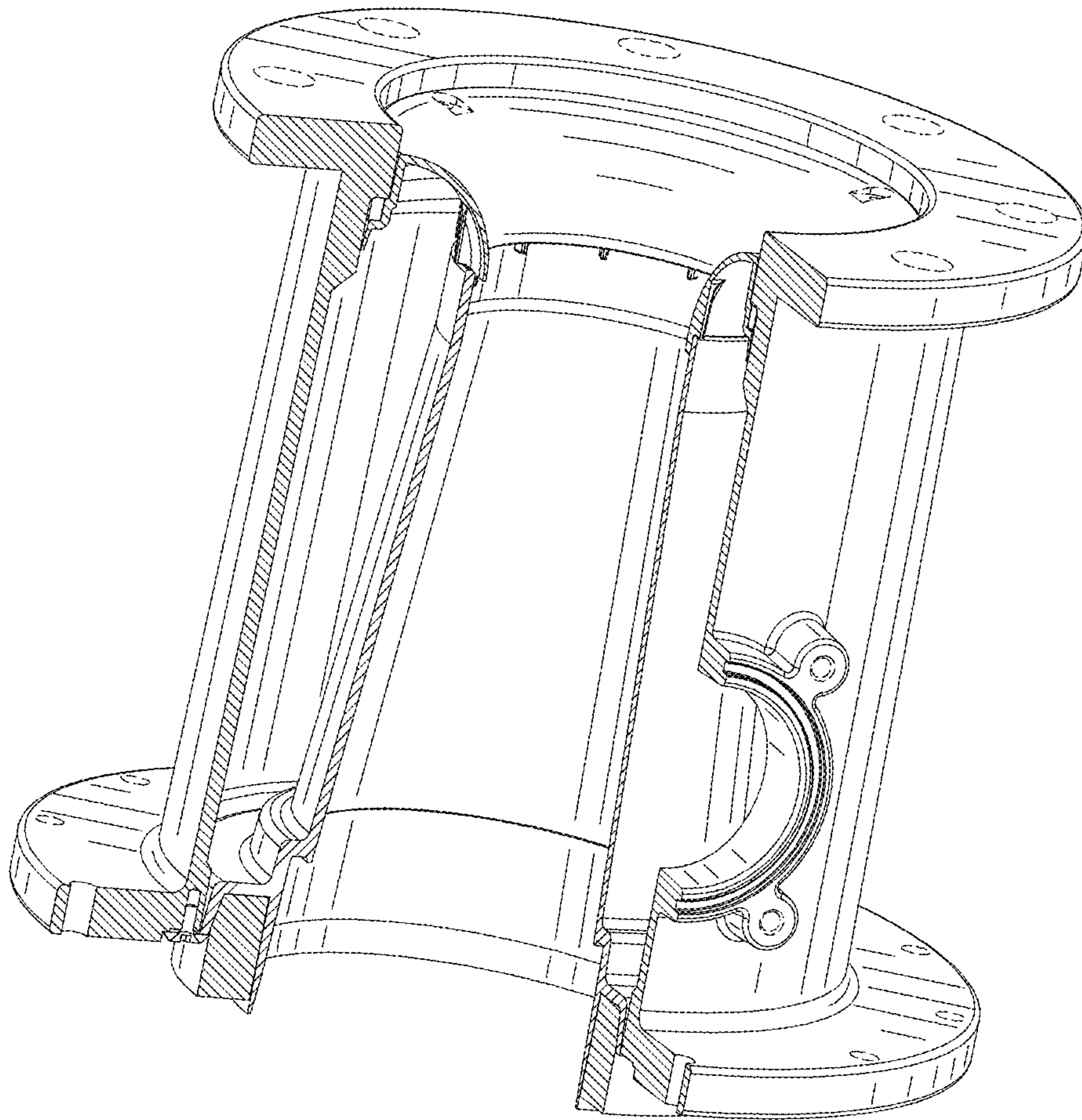


FIG. 5

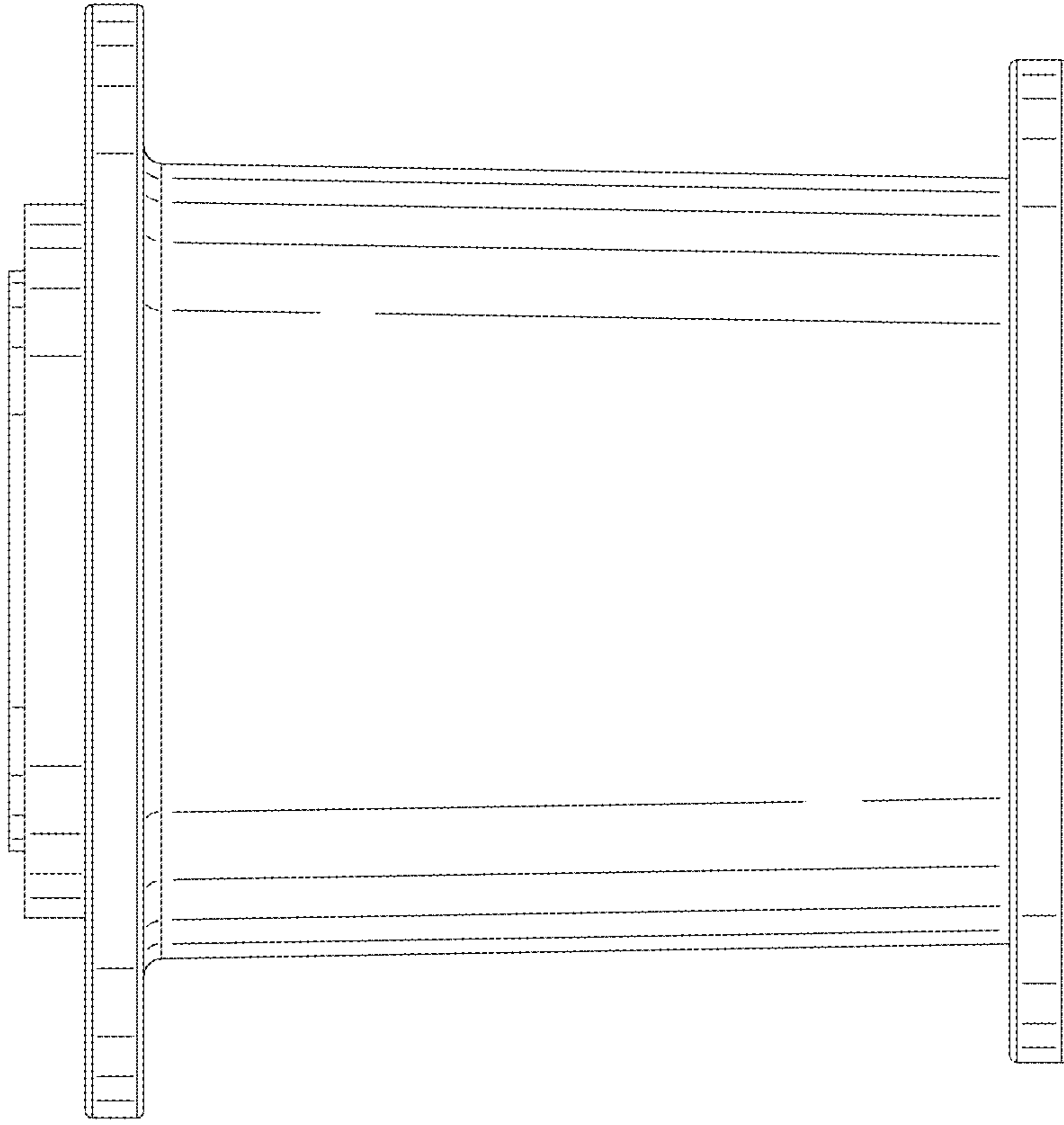


FIG. 7

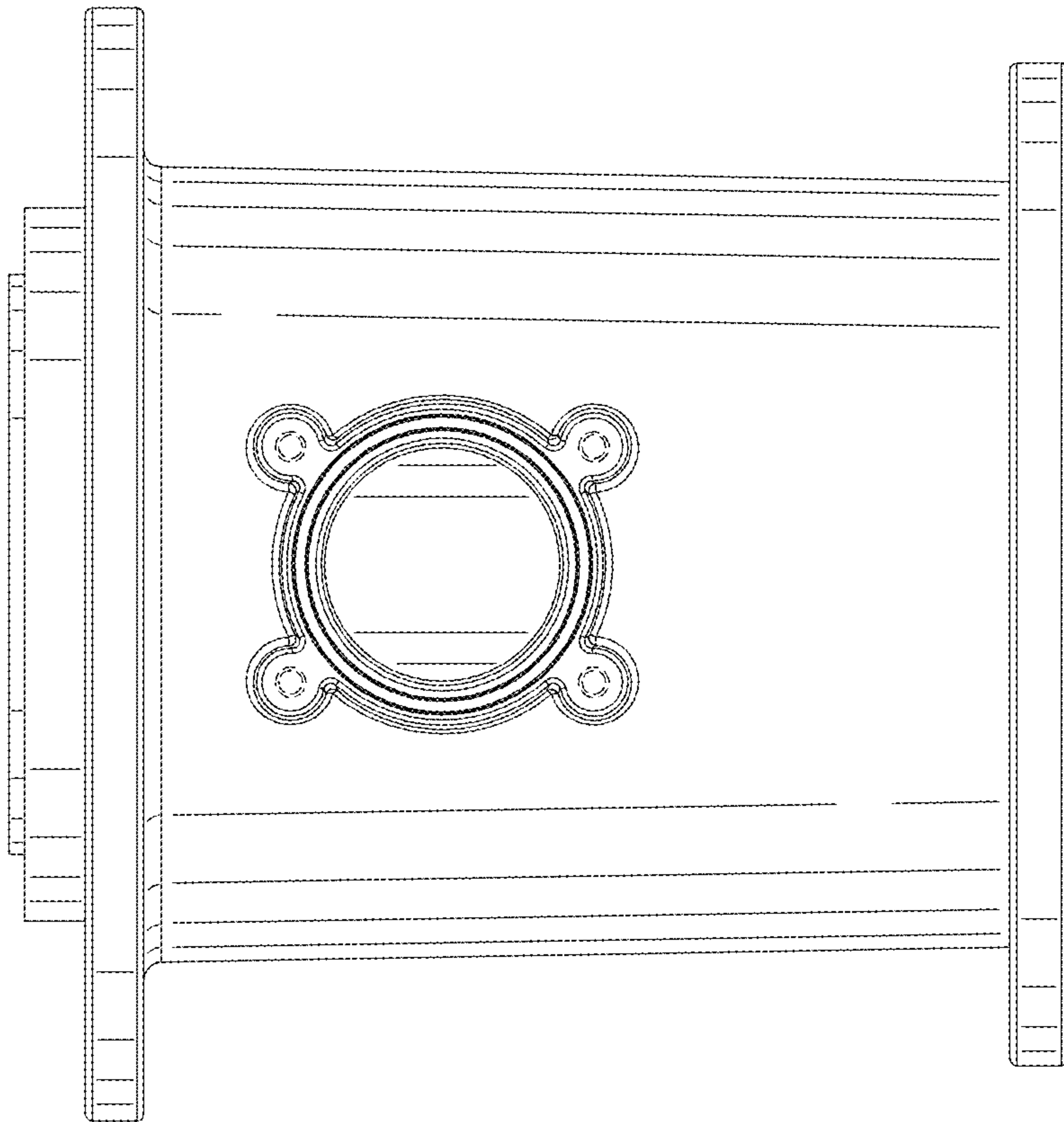


FIG. 6

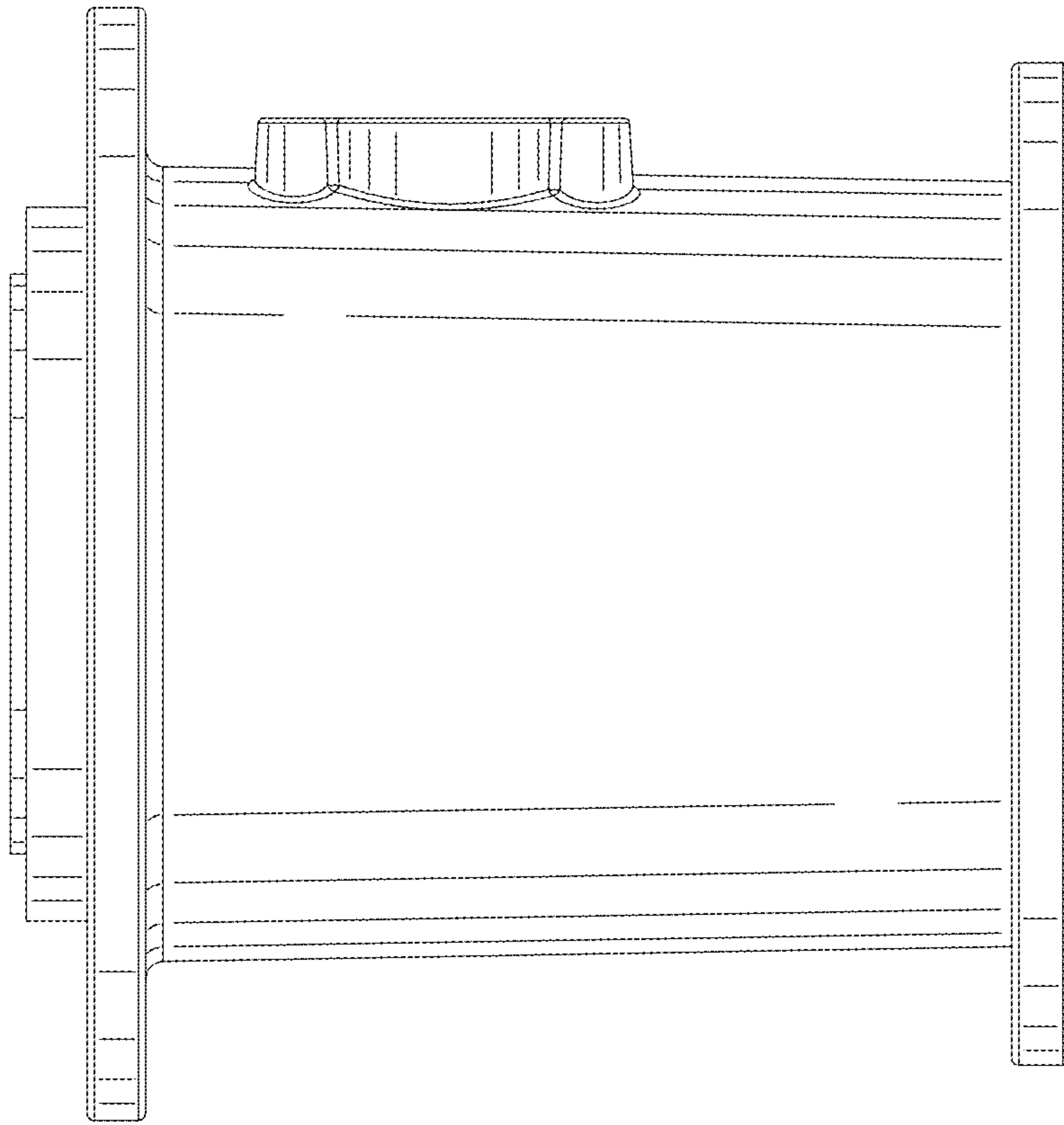


FIG. 9

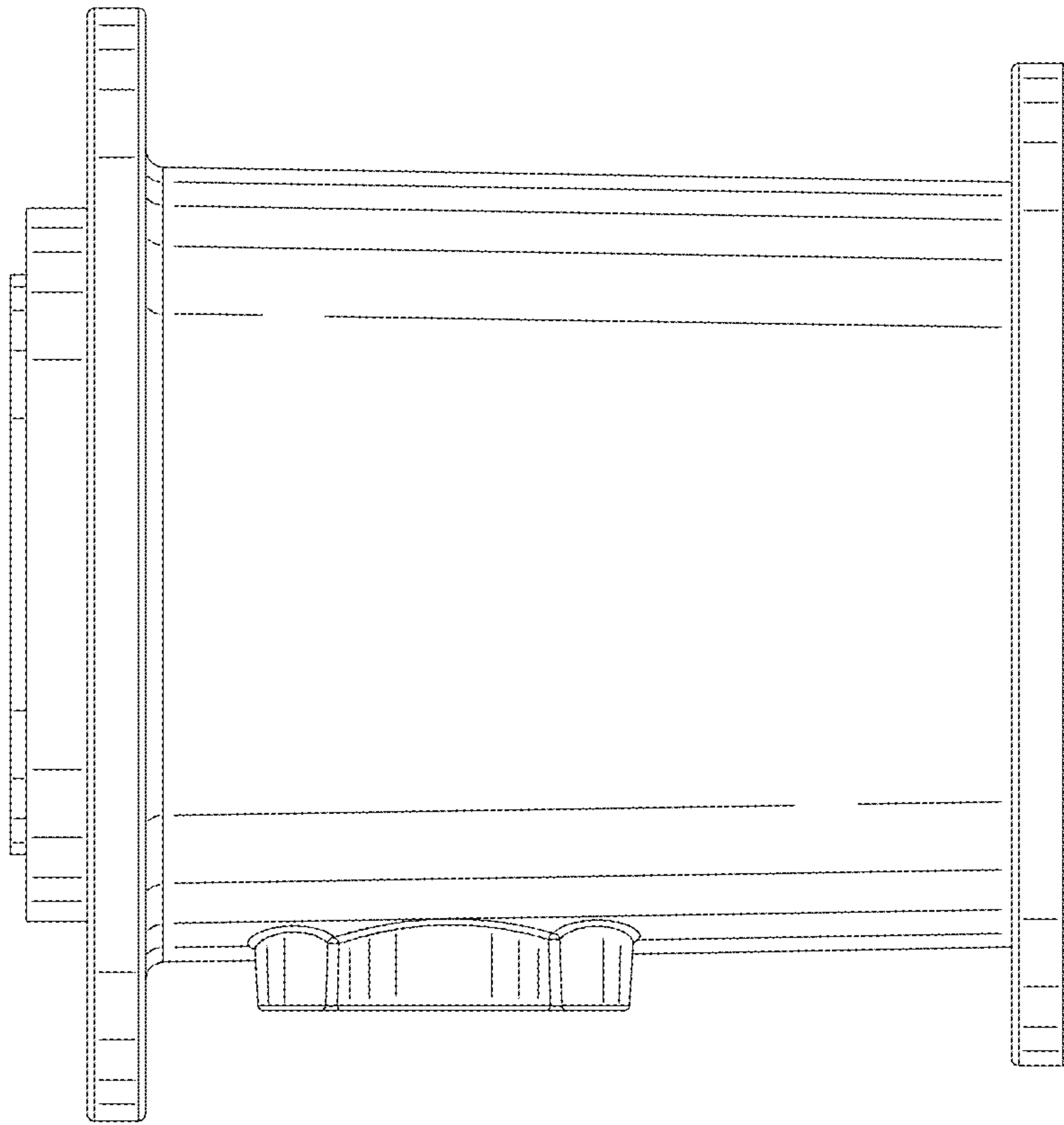


FIG. 8