



US00D960318S

(12) **United States Design Patent** (10) **Patent No.:** **US D960,318 S**  
**Dodge** (45) **Date of Patent:** **\*\* Aug. 9, 2022**

(54) **SHOWERHEAD**

(71) Applicant: **WATER PIK, INC.**, Fort Collins, CO  
(US)

(72) Inventor: **Spencer Ralph Dodge**, Covington, WA  
(US)

(73) Assignee: **WATER PIK, INC.**, Fort Collins, CO  
(US)

(\*\*) Term: **15 Years**

(21) Appl. No.: **29/828,133**

(22) Filed: **Feb. 24, 2022**

**Related U.S. Application Data**

(62) Division of application No. 29/756,598, filed on Oct. 29, 2020.

(51) **LOC (13) Cl.** ..... **23-01**

(52) **U.S. Cl.**  
USPC ..... **D23/223**

(58) **Field of Classification Search**  
USPC ..... D23/213, 214, 215, 222, 223, 224, 226,  
D23/229, 230

CPC ..... A61H 9/0021; A61H 33/00; B05B 1/00;  
B05B 1/14; B05B 1/185; B05B 1/08;  
B05B 1/02; B05B 1/26; B05B 12/002;  
B05B 1/18; B05B 9/01

See application file for complete search history.

(56) **References Cited**

**U.S. PATENT DOCUMENTS**

D495,028 S	8/2004	Jorgensen et al.	
D529,986 S *	10/2006	Chan	D23/223
D538,395 S *	3/2007	Starck	D23/223
D575,845 S *	8/2008	Lobermeier	D23/223
7,546,646 B2	6/2009	Shien	
7,578,453 B1	8/2009	Wilson	
D599,883 S	9/2009	Tippens	

D604,392 S *	11/2009	Schoenherr	D23/223
D637,694 S *	5/2011	Lammel	D23/223
D642,659 S *	8/2011	Lammel	D23/223
D652,108 S *	1/2012	Eads	D23/223
D652,109 S *	1/2012	Nichols	D23/223
D652,110 S *	1/2012	Nichols	D23/223
D652,894 S *	1/2012	Nichols	D23/223
D655,388 S	3/2012	Schoenherr et al.	

(Continued)

**FOREIGN PATENT DOCUMENTS**

CN	105562227 B	1/2018
CN	108114826 A	6/2018

**OTHER PUBLICATIONS**

American Standard 1660506.002 Hand Shower, Polished Chrome, Jan. 4, 2012, amazon.ca, Apr. 6, 2022, URL: <https://www.amazon.ca/dp/B006TIKY9E/> (Year: 2012).\*

(Continued)

*Primary Examiner* — Jack Reickel

*Assistant Examiner* — Keith J Wilson

(74) *Attorney, Agent, or Firm* — Dorsey & Whitney LLP

(57) **CLAIM**

I claim the ornamental design for a showerhead, as shown and described.

**DESCRIPTION**

FIG. 1 is a front isometric view of a showerhead.

FIG. 2 is a rear isometric view thereof.

FIG. 3 is a front elevation view thereof.

FIG. 4 is a rear elevation view thereof.

FIG. 5 is a right side elevation view thereof.

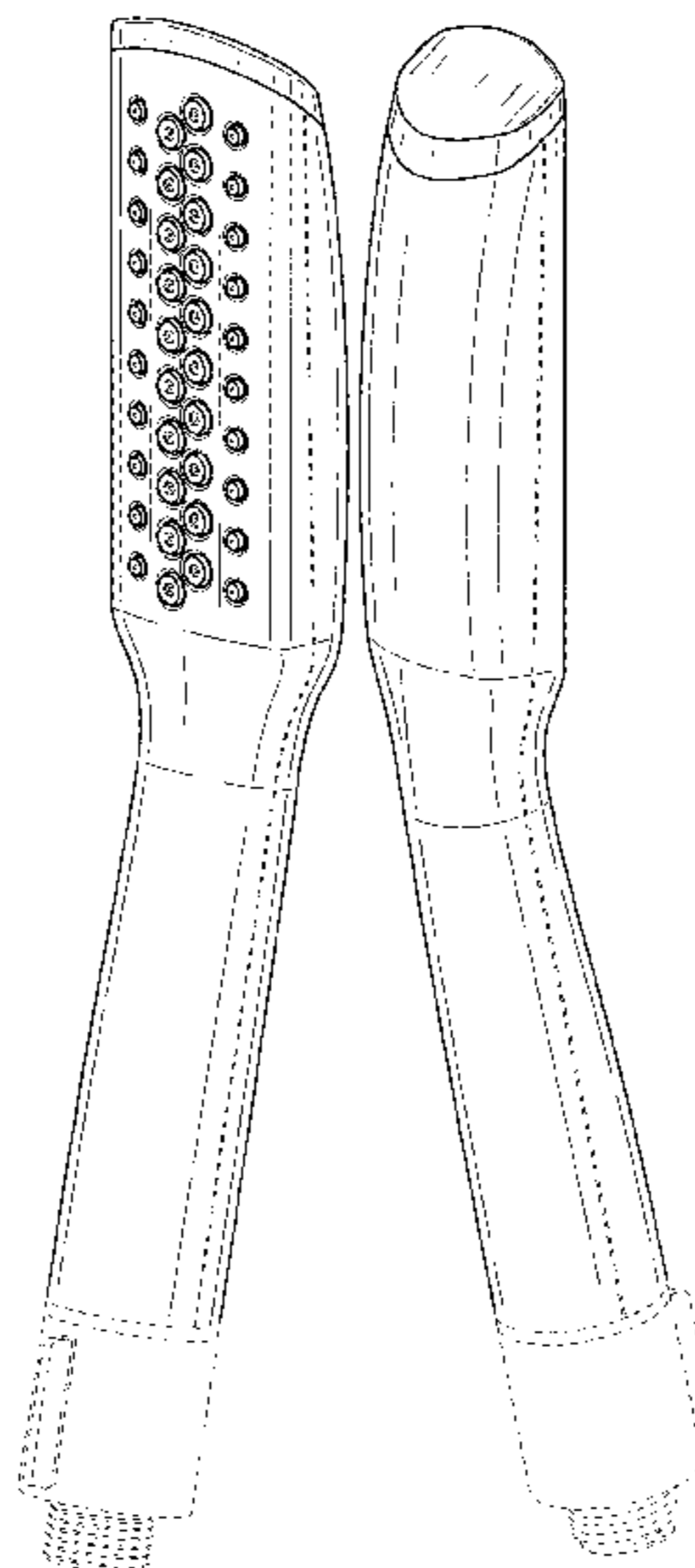
FIG. 6 is a left side elevation view thereof.

FIG. 7 is a top plan view thereof; and,

FIG. 8 is a bottom plan view thereof.

The broken lines illustrate portions of the showerhead that form no part of the claimed design.

**1 Claim, 4 Drawing Sheets**



(56)

References Cited

U.S. PATENT DOCUMENTS

D655,389 S \* 3/2012 Schoenherr ..... B05B 1/205  
 D23/223  
 D656,219 S \* 3/2012 Su ..... D23/223  
 D673,650 S \* 1/2013 Chibitty ..... D23/223  
 D674,049 S \* 1/2013 Genord ..... D23/223  
 D696,381 S \* 12/2013 Streitwieser ..... D23/223  
 D697,582 S \* 1/2014 McNinch ..... D23/223  
 8,915,455 B2 12/2014 Zhou et al.  
 D731,026 S \* 6/2015 Bahler ..... D23/223  
 9,238,236 B2 1/2016 Zhou et al.  
 9,295,996 B2 3/2016 Kinle  
 D753,794 S 4/2016 Starck  
 9,470,334 B2 10/2016 Zhou et al.  
 9,566,593 B2 \* 2/2017 Marty ..... B05B 15/658  
 D785,137 S 4/2017 Mahdjoubi Namin  
 9,707,574 B2 7/2017 Soetaert et al.  
 D793,529 S 8/2017 Garland  
 D800,263 S \* 10/2017 Andrew ..... D23/239  
 D811,523 S \* 2/2018 Andrew ..... D23/223  
 D828,906 S 9/2018 Lu et al.  
 D832,975 S 11/2018 Garuti et al.  
 D843,549 S \* 3/2019 Thurgood ..... D23/223  
 D849,194 S 5/2019 Lu et al.  
 D853,525 S 7/2019 Lu et al.  
 D855,761 S 8/2019 Quinn et al.  
 10,449,558 B2 10/2019 Thurgood  
 D868,208 S \* 11/2019 Garland ..... D23/223  
 D872,227 S 1/2020 Ladwig et al.  
 D875,210 S 2/2020 Thurgood  
 D886,946 S \* 6/2020 Ladwig ..... D23/223  
 D895,766 S 9/2020 Schoenherr et al.  
 D912,767 S \* 3/2021 Ladwig ..... D23/223  
 D913,422 S \* 3/2021 Ladwig ..... D23/249  
 D920,475 S 5/2021 Michalak et al.  
 D925,698 S 7/2021 Tian ..... D23/223  
 D925,699 S 7/2021 Komatsu ..... D23/223  
 D930,116 S 9/2021 Sanghun ..... D23/223  
 D935,555 S 11/2021 Yan ..... D23/213  
 D935,556 S 11/2021 Yan ..... D23/213  
 D936,786 S 11/2021 Cox ..... D23/213

D937,971 S 12/2021 Gutman ..... D23/223  
 D939,665 S \* 12/2021 Jiang ..... D23/223  
 D940,275 S \* 1/2022 Zhang ..... D23/223  
 D941,957 S \* 1/2022 Ryu ..... B05B 15/658  
 11,215,304 B2 \* 1/2022 Greco ..... F16L 37/0841  
 D23/239  
 D944,362 S \* 2/2022 Liang ..... D23/223  
 D944,364 S \* 2/2022 Huang ..... D23/223  
 2017/0216854 A1 \* 8/2017 Thurgood ..... B05B 1/205  
 2022/0031555 A1 \* 2/2022 Grant ..... A61H 1/00  
 D23/223  
 2022/0088619 A1 \* 3/2022 Chung ..... B05B 1/12  
 D23/223

OTHER PUBLICATIONS

Grohe 27400000 Eurosmart Cosmo Stick Hand Shower, Chrome, Jan. 9, 2012, amazon.ca, Apr. 6, 2022, URL: <https://www.amazon.ca/dp/B003NA47P8/> (Year: 2012).\*

D-Soundwell Shower Head ,Handheld and Fixed Shower head, Sep. 2, 2019, amazon.ca, Apr. 6, 2016, amazon.ca, Apr. 6, 2022, URL: <https://www.amazon.ca/D-Soundwell-Handheld-Material-Bathroom-Clog-Free/dp/B07XBN99PH/> (Year: 2019).\*

KES Brass Handheld Shower Head with 1.5-Meter Long Hose, Dec. 1, 2015, amazon.ca, Apr. 14, 2022 <https://www.amazon.ca/Handheld-Replacement-Showerhead-Showering-Contemporary/dp/B018FNZTBI/> (Year: 2015).\*

U.S. Appl. No. 29/756,598, filed Oct. 29, 2020.

Handheld Shower Head Set with Shower Bracket and Shower Hose, Nov. 25, 2019, amazon.com, Dec. 9, 2021, URL: <https://www.amazon.com/Handheld-Bracket-Rianfall-Pressure-Brushed/dp/B07Y2ZMZL4> (Year: 2019).

Moen 160042BN Handheld Shower, May 31, 2012, amazon.com, Dec. 9, 2021, URL: [https://www.amazon.com/dp/B0087R5S5A/ref=sbl\\_dpx\\_home-improvement-bathroom-handheld-showerheads\\_B07GFPY9CK\\_0](https://www.amazon.com/dp/B0087R5S5A/ref=sbl_dpx_home-improvement-bathroom-handheld-showerheads_B07GFPY9CK_0) (Year: 2012).

Shower Comb Shower Head Boost Pressurize Square Hand, Sep. 2, 2020, amazon.com, Dec. 9, 2021, URL: [https://www.amazon.com/dp/B08H7XFWNK/ref=sbl\\_dpx\\_home-improvement-bathroom-handheld-showerheads\\_B0087R5S5A\\_0](https://www.amazon.com/dp/B08H7XFWNK/ref=sbl_dpx_home-improvement-bathroom-handheld-showerheads_B0087R5S5A_0) (Year: 2020).

\* cited by examiner

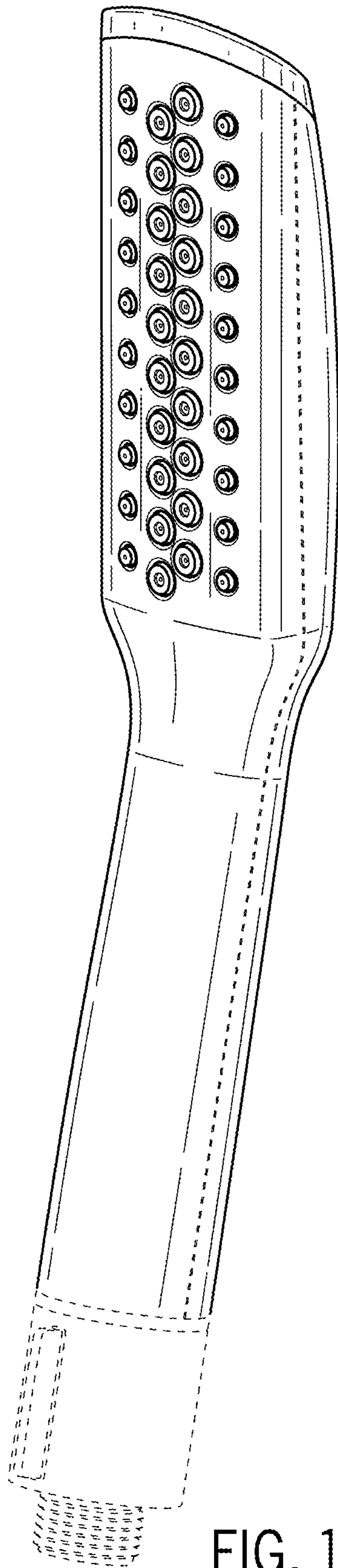


FIG. 1

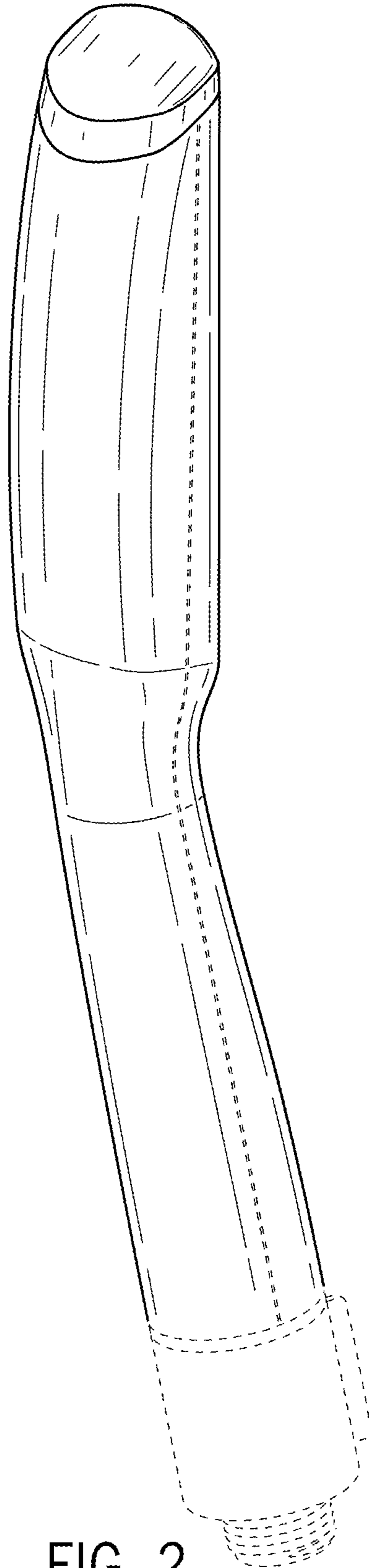


FIG. 2

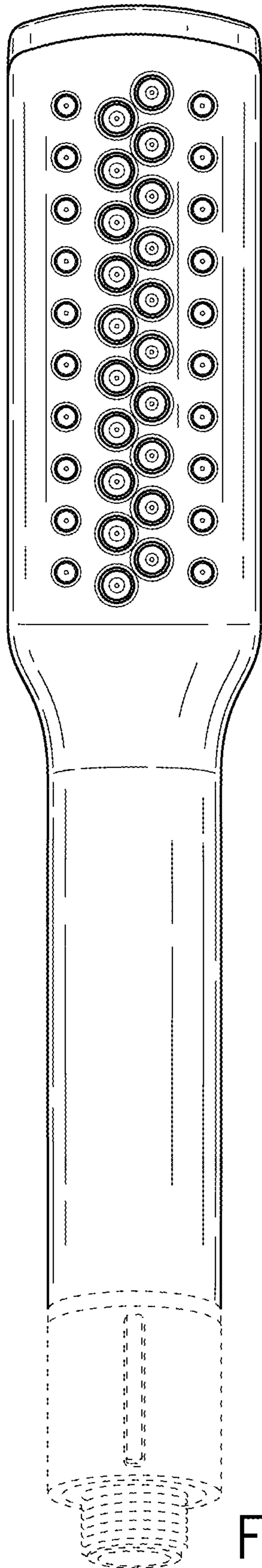


FIG. 3

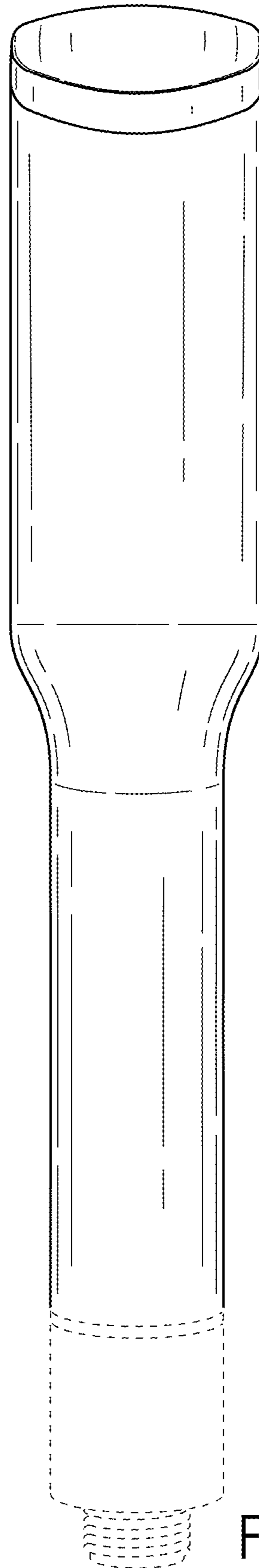


FIG. 4

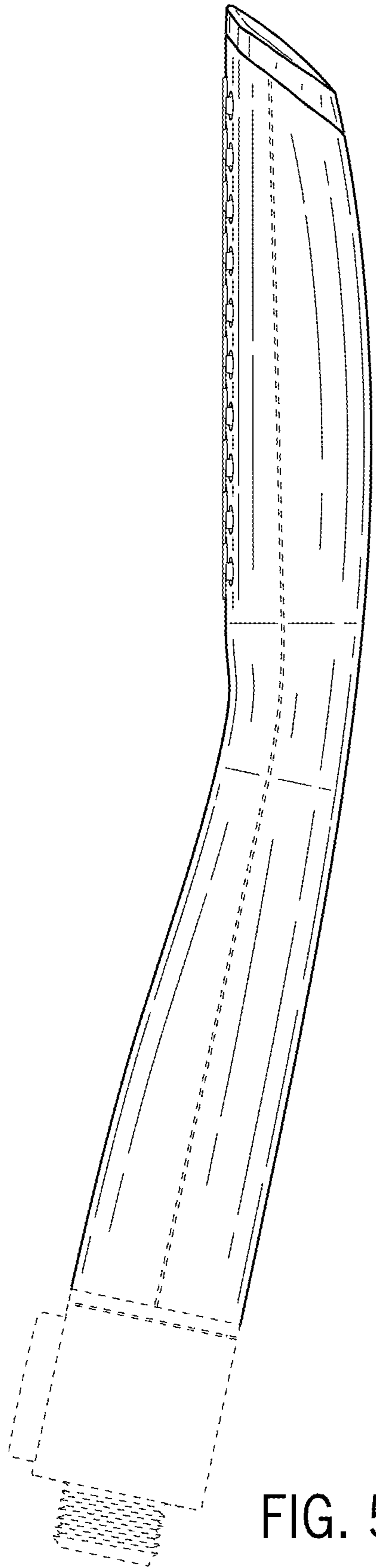


FIG. 5

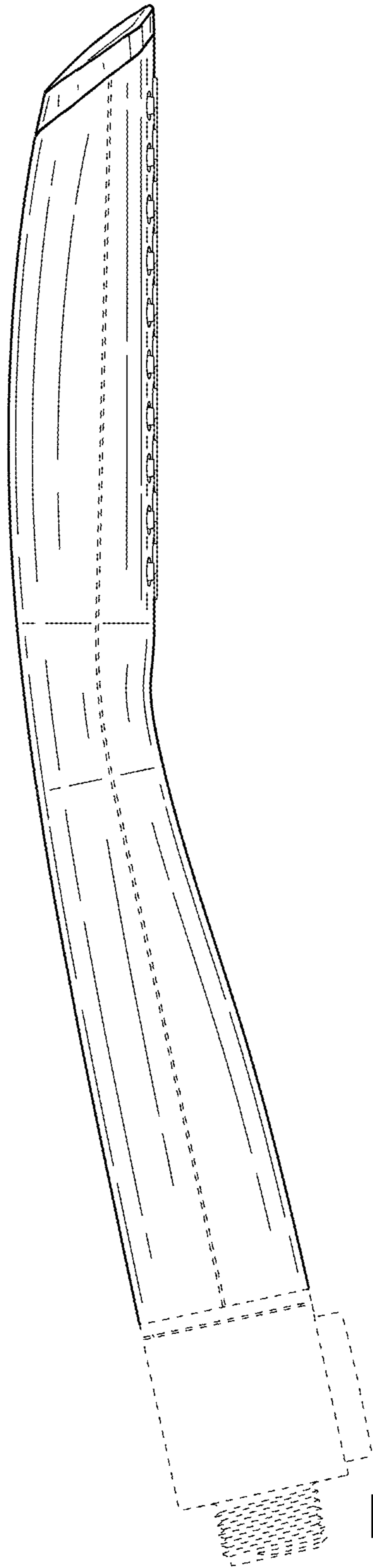


FIG. 6

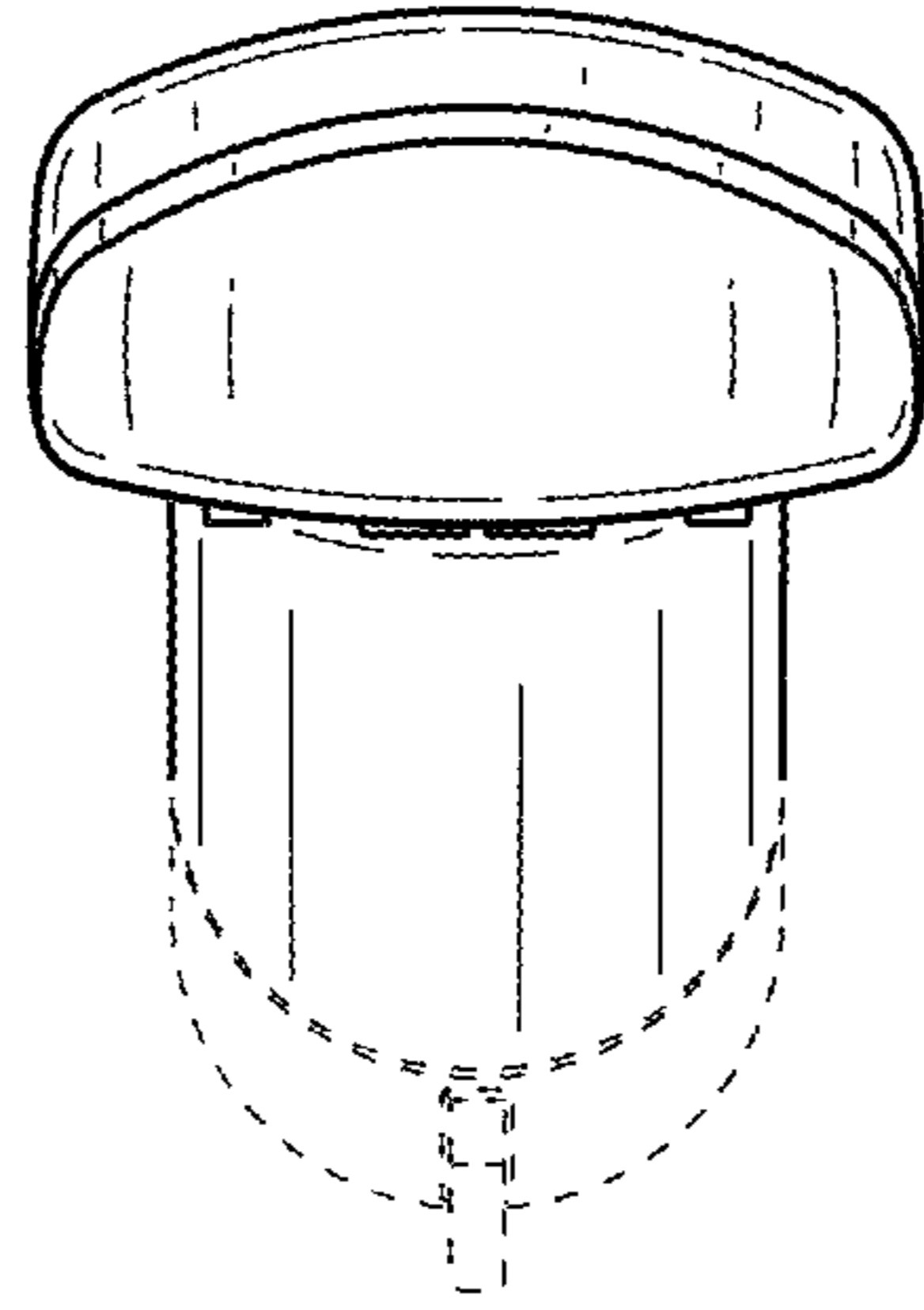


FIG. 7

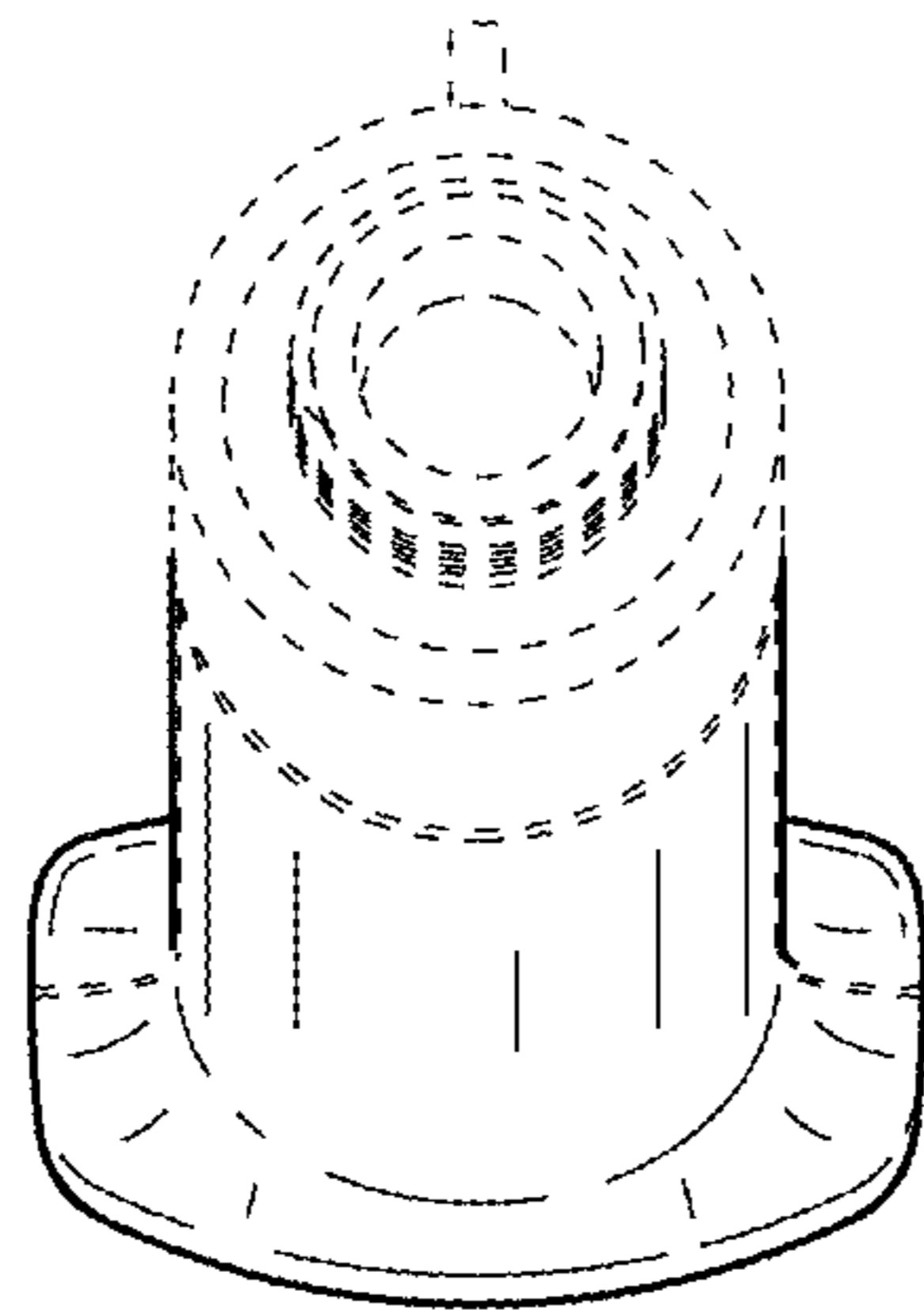


FIG. 8