

US00D960316S

(12) **United States Design Patent** (10) **Patent No.:** **US D960,316 S**  
**Dodge** (45) **Date of Patent:** **\*\* Aug. 9, 2022**

(54) **SHOWERHEAD**

(71) Applicant: **WATER PIK, INC.**, Fort Collins, CO (US)

(72) Inventor: **Spencer Ralph Dodge**, Covington, WA (US)

(73) Assignee: **WATER PIK, INC.**, Fort Collins, CO (US)

(\*\*) Term: **15 Years**

(21) Appl. No.: **29/756,598**

(22) Filed: **Oct. 29, 2020**

(51) **LOC (13) Cl.** ..... **23-01**

(52) **U.S. Cl.**  
USPC ..... **D23/223**

(58) **Field of Classification Search**  
USPC ..... D23/213, 214, 215, 222, 223, 224, 226, D23/229, 230  
CPC ..... A61H 9/0021; A61H 33/00; B05B 1/00; B05B 1/14; B05B 1/185; B05B 1/08; B05B 1/02; B05B 1/26; B05B 12/002; B05B 1/18; B05B 9/01  
See application file for complete search history.

(56) **References Cited**

**U.S. PATENT DOCUMENTS**

D495,028	S	*	8/2004	Jorgensen	.....	D23/223
D538,395	S		3/2007	Starck		
7,546,646	B2		6/2009	Shien		
7,578,453	B1		8/2009	Wilson		
D599,883	S		9/2009	Tippens		
D604,392	S	*	11/2009	Schoenherr	.....	D23/223
D655,388	S	*	3/2012	Schoenherr	.....	D23/223
D655,389	S	*	3/2012	Schoenherr	.....	D23/223
D656,219	S	*	3/2012	Su	.....	D23/223
8,915,455	B2		12/2014	Zhou et al.		
9,238,236	B2		1/2016	Zhou et al.		
9,295,996	B2		3/2016	Kinle		
D753,794	S		4/2016	Starck		

9,470,334	B2		10/2016	Zhou et al.		
D785,137	S		4/2017	Mahdjoubi Namin		
9,707,574	B2		7/2017	Soetaert et al.		
D793,529	S	*	8/2017	Garland	.....	D23/223
D828,906	S		9/2018	Lu et al.		
D832,975	S	*	11/2018	Garuti	.....	D23/213
D843,549	S		3/2019	Thurgood		

(Continued)

**FOREIGN PATENT DOCUMENTS**

CN	105562227	B	1/2018
CN	108114826	A	6/2018

**OTHER PUBLICATIONS**

Handheld Shower Head Set with Shower Bracket and Shower Hose, Nov. 25, 2019, amazon.com, Dec. 9, 2021, URL: <https://www.amazon.com/Handheld-Bracket-Rianfall-Pressure-Brushed/dp/B07Y2ZMZL4> (Year: 2019).\*

(Continued)

*Primary Examiner* — Keith J Wilson  
(74) *Attorney, Agent, or Firm* — Dorsey & Whitney LLP

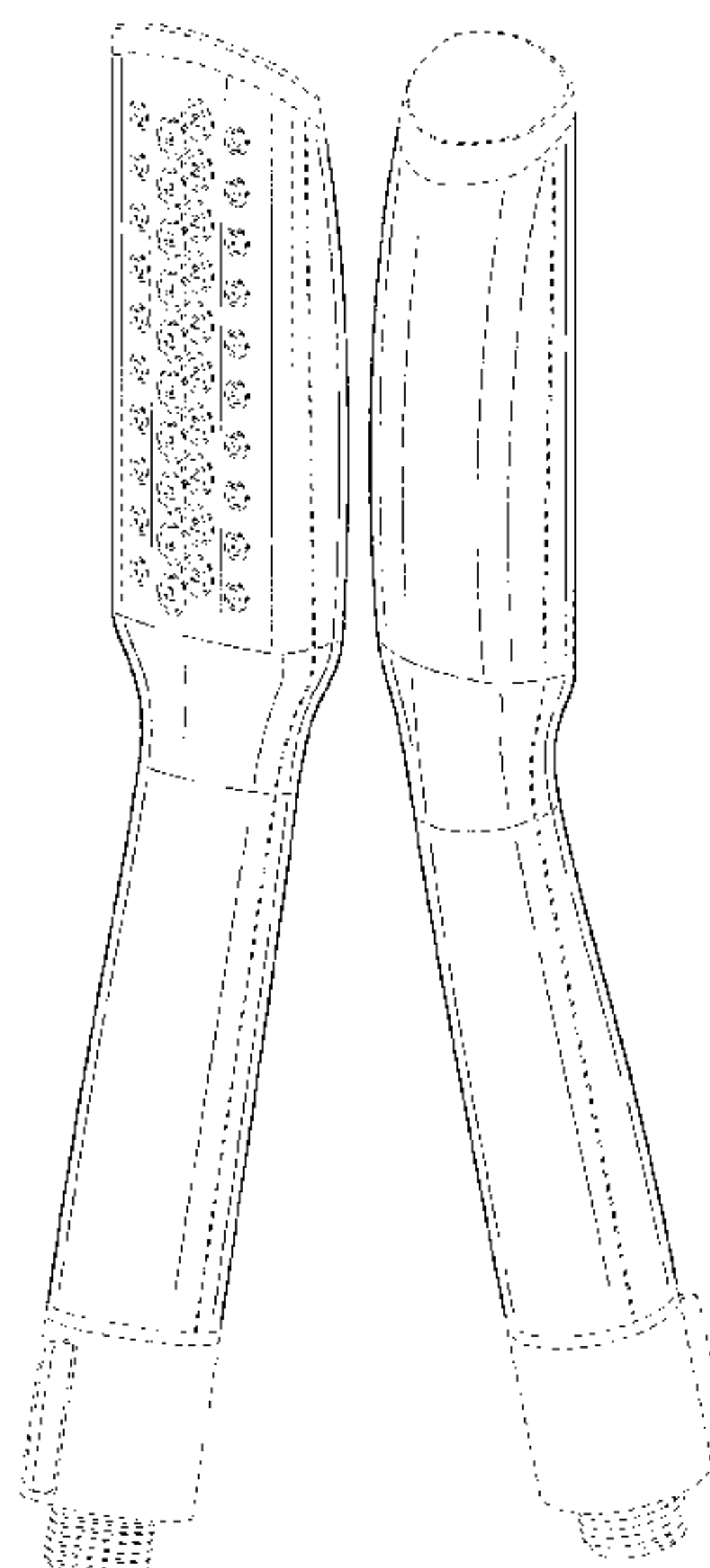
(57) **CLAIM**

I claim the ornamental design for a showerhead, as shown and described.

**DESCRIPTION**

FIG. 1 is a front isometric view of a showerhead.  
FIG. 2 is a rear isometric view thereof.  
FIG. 3 is a front elevation view thereof.  
FIG. 4 is a rear elevation view thereof.  
FIG. 5 is a right side elevation view thereof.  
FIG. 6 is a left side elevation view thereof.  
FIG. 7 is a top plan view thereof; and,  
FIG. 8 is a bottom plan view thereof.  
The broken lines illustrate portions of the showerhead that form no part of the claimed design.

**1 Claim, 4 Drawing Sheets**



(56)

**References Cited**

U.S. PATENT DOCUMENTS

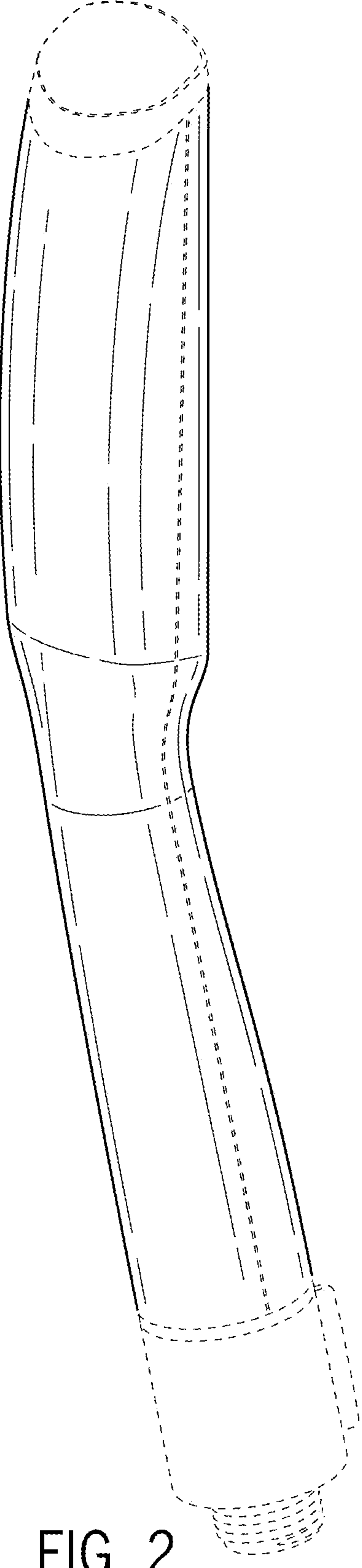
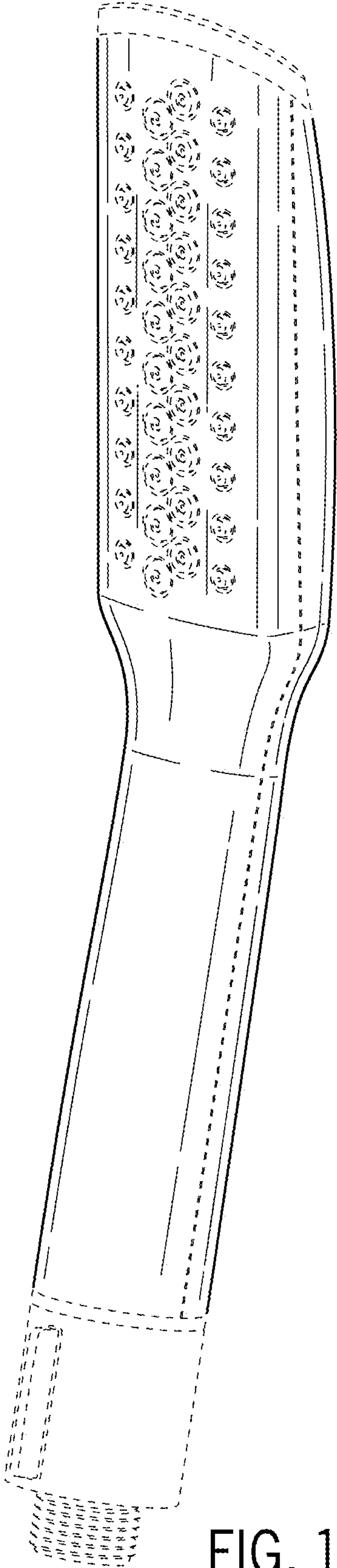
D849,194	S	*	5/2019	Lu	.....	D23/223
D853,525	S	*	7/2019	Lu	.....	D23/223
D855,761	S	*	8/2019	Quinn	.....	B05B 15/14 D23/223
10,449,558	B2		10/2019	Thurgood		
D872,227	S	*	1/2020	Ladwig	.....	D23/223
D875,210	S	*	2/2020	Thurgood	.....	D23/223
D895,766	S	*	9/2020	Schoenherr	.....	D23/213
D912,767	S	*	3/2021	Ladwig	.....	D23/223
D920,475	S	*	5/2021	Michalak	.....	D23/226
D925,698	S	*	7/2021	Tian	.....	D23/223
D925,699	S	*	7/2021	Komatsu	.....	D23/223
D930,116	S	*	9/2021	Sanghun	.....	D23/223
D935,555	S	*	11/2021	Yan	.....	D23/213
D935,556	S	*	11/2021	Yan	.....	D23/213
D936,786	S	*	11/2021	Cox	.....	D23/213
D937,971	S	*	12/2021	Gutman	.....	D23/223

OTHER PUBLICATIONS

Moen 160042BN Handheld Shower, May 31, 2012, amazon.com, Dec. 9, 2021, URL: [https://www.amazon.com/dp/B0087R5S5A/ref=sbl\\_dp\\_x\\_home-improvement-bathroom-handheld-showerheads\\_B07GFPY9CK\\_0](https://www.amazon.com/dp/B0087R5S5A/ref=sbl_dp_x_home-improvement-bathroom-handheld-showerheads_B07GFPY9CK_0) (Year: 2012).\*

Shower Comb Shower Head Boost Pressurize Square Hand, Sep. 2, 2020, amazon.com, Dec. 9, 2021, URL: [https://www.amazon.com/dp/B08H7XFWNK/ref=sbl\\_dp\\_x\\_home-improvement-bathroom-handheld-showerheads\\_B0087R5S5A\\_0](https://www.amazon.com/dp/B08H7XFWNK/ref=sbl_dp_x_home-improvement-bathroom-handheld-showerheads_B0087R5S5A_0) (Year: 2020).\*

\* cited by examiner



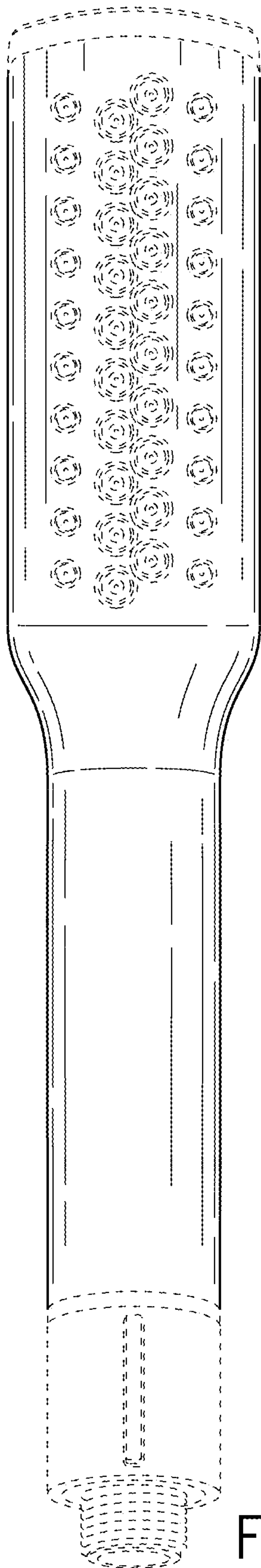


FIG. 3

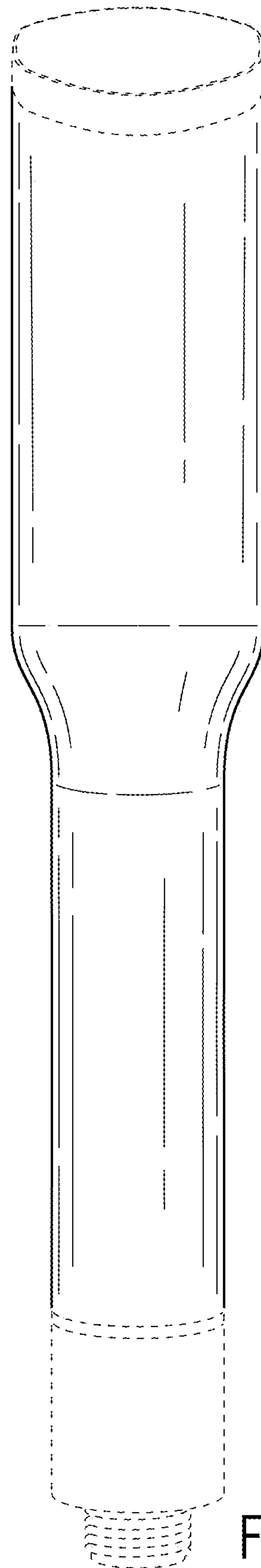


FIG. 4



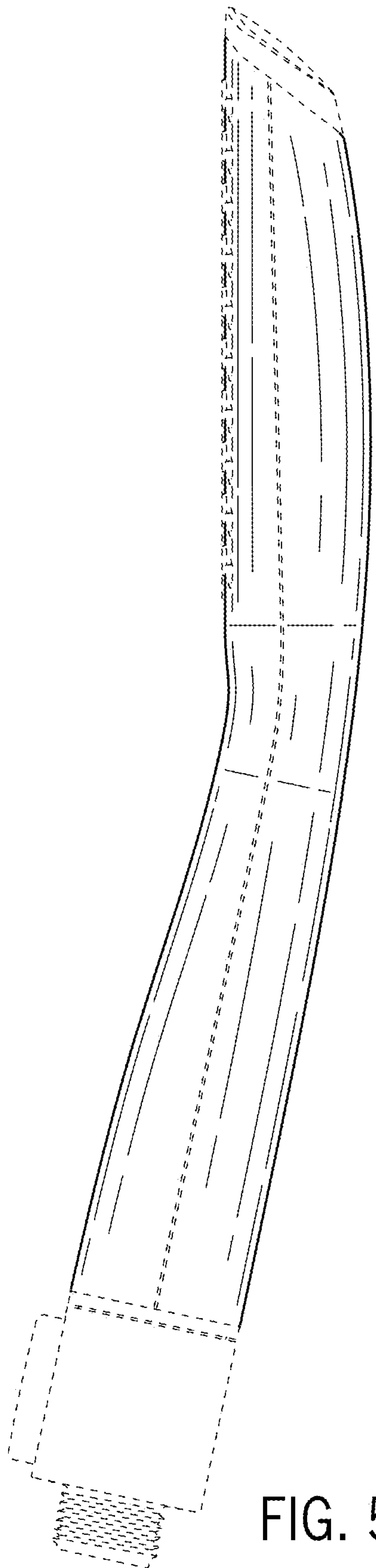


FIG. 5

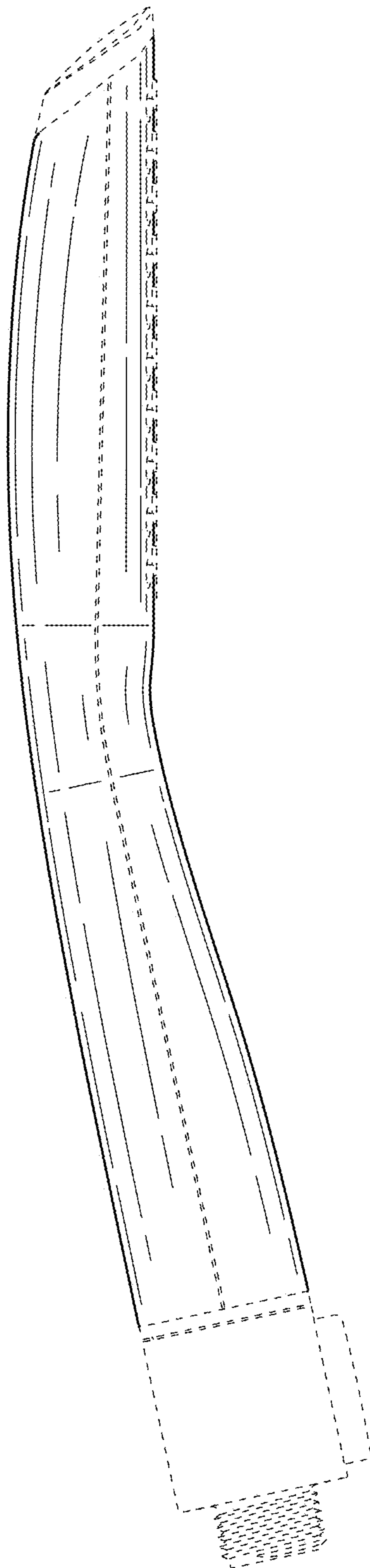


FIG. 6

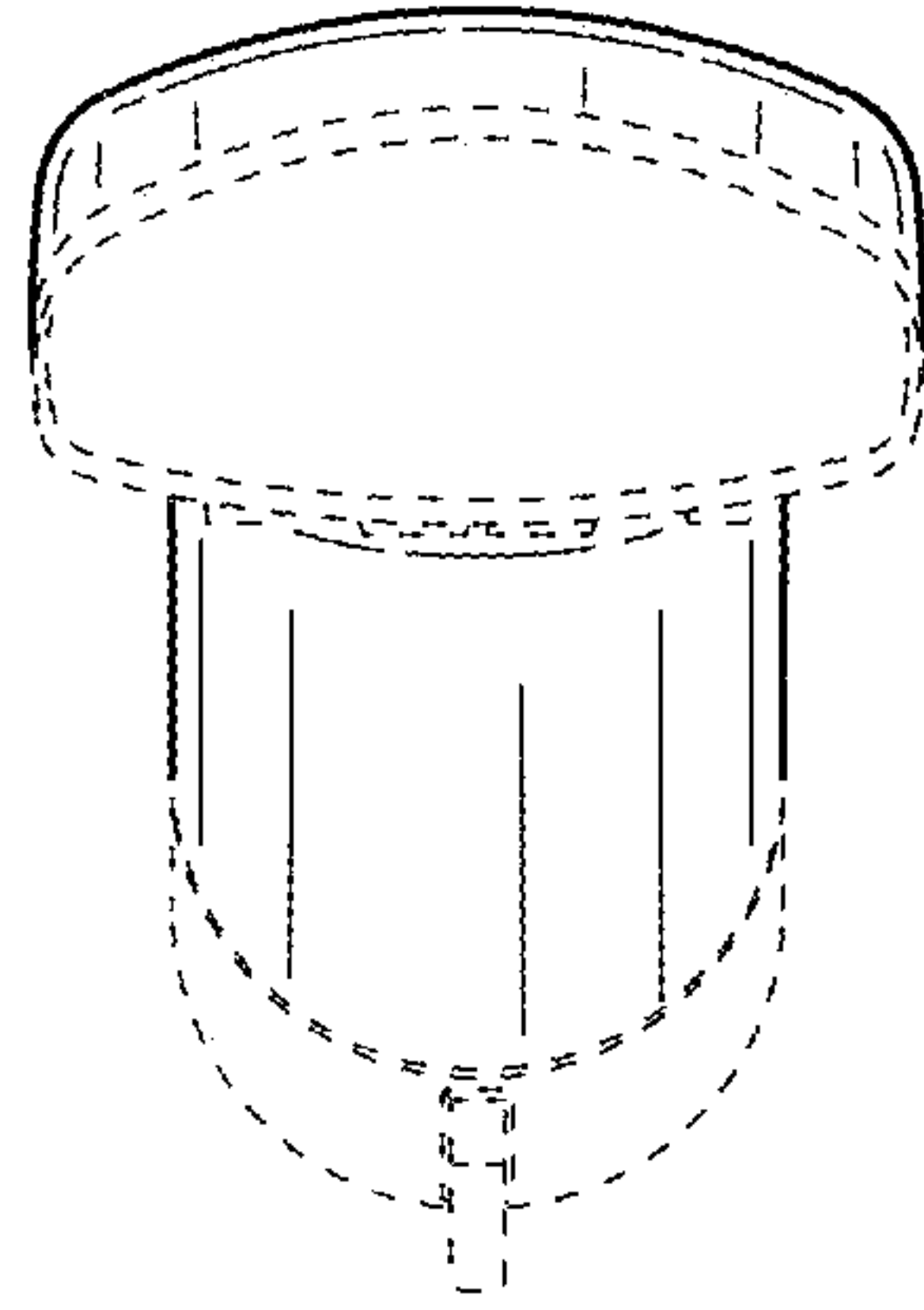


FIG. 7

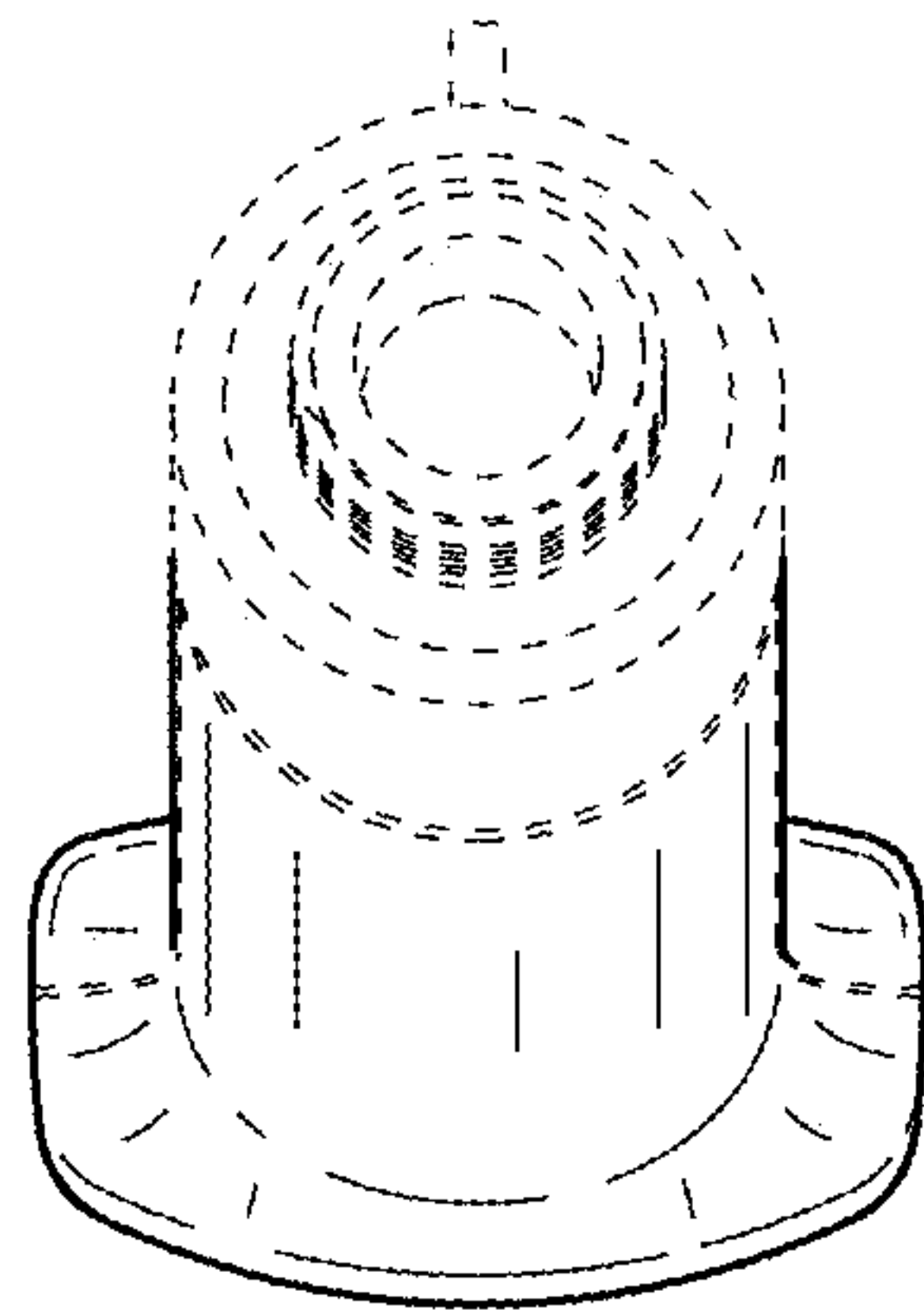


FIG. 8