



US00D960310S

(12) **United States Design Patent** (10) **Patent No.:** **US D960,310 S**
Chen (45) **Date of Patent:** **** Aug. 9, 2022**

(54) **SPRINKLER TOY**
(71) Applicant: **Guizhu Chen**, Shantou (CN)
(72) Inventor: **Guizhu Chen**, Shantou (CN)
(**) Term: **15 Years**

D467,301 S * 12/2002 Clivio D23/214
D492,005 S * 6/2004 Wang D23/214
D498,513 S * 11/2004 Hudman D23/214
D606,622 S * 12/2009 Sorenson D23/214
D615,154 S * 5/2010 Cheng D23/214
D615,611 S * 5/2010 Cheng D23/214
D754,284 S * 4/2016 Stowers D23/216

(21) Appl. No.: **29/767,806**
(22) Filed: **Jan. 26, 2021**

OTHER PUBLICATIONS

Gemeer sprinkler kids, Sprinkler toys, Sunflower rotating sprinkler, Jan. 27, 2021, amazon.ca, Jan. 7, 2022, URL: <https://www.amazon.ca/Gemeer-sprinkler-Sprinkler-sprinklers-activities/dp/B08TWQXBTM/> (Year: 2021).
Lawn Sprinkler—Automatic 360° Rotating Adjustable Garden, Aug. 7, 2018, amazon.ca, Jan. 7, 2022, URL: <https://www.amazon.ca/Belletek-Lawn-Sprinkler-Automatic-Adjustable/dp/B07G864GJS/> (Year: 2018).*

(30) **Foreign Application Priority Data**

Nov. 9, 2020 (CN) 202030673834.5

(51) **LOC (13) Cl.** **23-01**
(52) **U.S. Cl.**
USPC **D23/214**

(Continued)

(58) **Field of Classification Search**
USPC D23/213, 214, 215, 221–222, 223, 224,
D23/226, 229, 230
CPC A61H 9/0021; A61H 33/00; B05B 1/00;
B05B 1/14; B05B 1/185; B05B 1/08;
B05B 1/02; B05B 1/26; B05B 12/002;
B05B 1/18; B05B 9/01

Primary Examiner — Keith J Wilson

(57) **CLAIM**

The ornamental design for a sprinkler toy, as shown and described.

See application file for complete search history.

DESCRIPTION

(56) **References Cited**

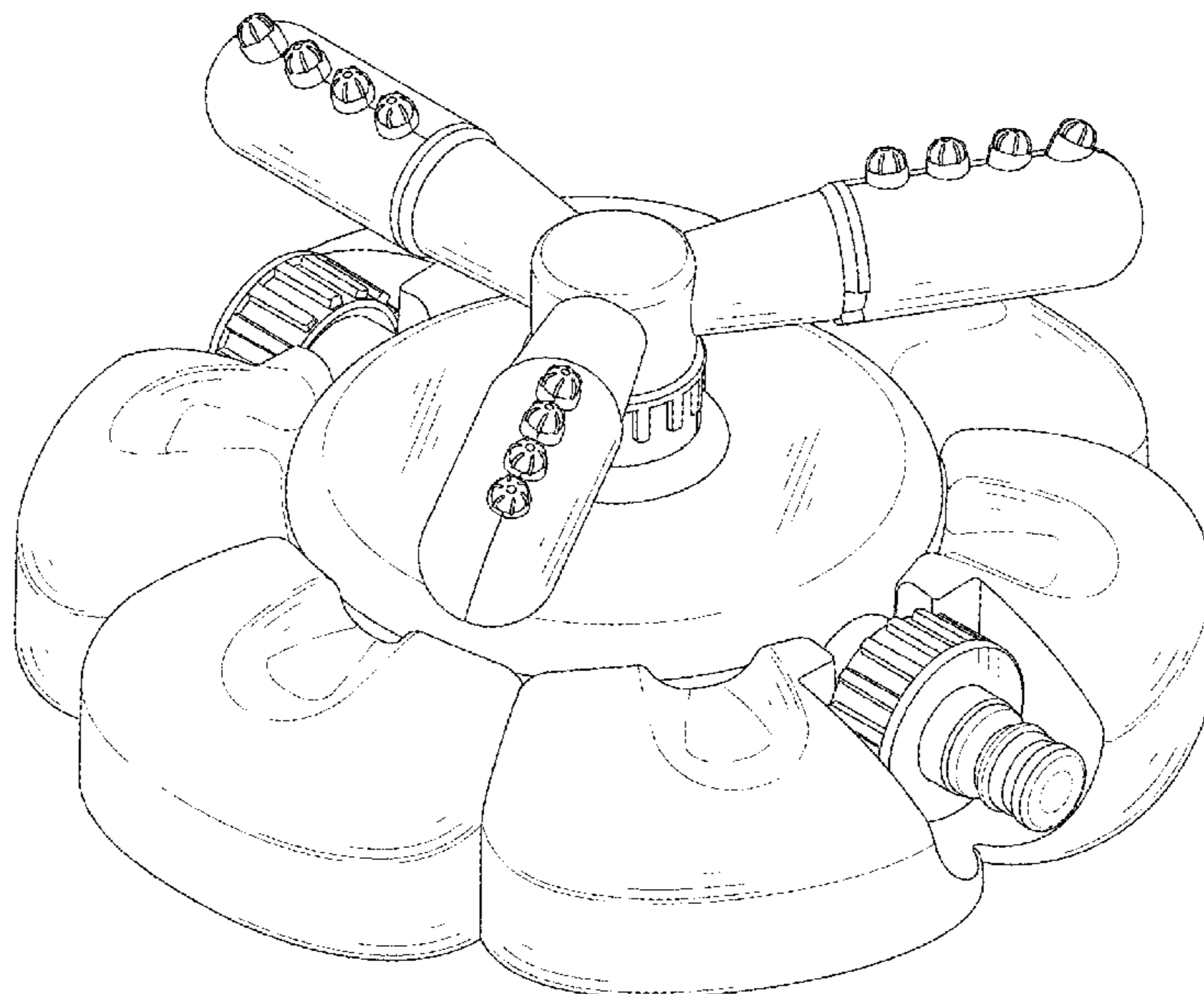
U.S. PATENT DOCUMENTS

D238,670 S * 2/1976 Beamer D23/220
D277,127 S * 1/1985 Mackay D23/214
D296,920 S * 7/1988 Evans D23/214
D307,044 S * 4/1990 Johnston D23/220
D313,269 S * 12/1990 Clivio D23/220
D346,009 S * 4/1994 Simonetti D23/220
D397,203 S * 8/1998 Wang D23/214
D415,248 S * 10/1999 Roman D23/214
D421,639 S * 3/2000 Clivio D23/214
D457,597 S * 5/2002 Chen D23/220
D465,260 S * 11/2002 Chen D23/214
D466,973 S * 12/2002 Clivio D23/214

FIG. 1 is a first perspective view of a sprinkler toy showing my new design;
FIG. 2 is a second perspective view thereof;
FIG. 3 is a front view thereof;
FIG. 4 is a back view thereof;
FIG. 5 is a left side view thereof;
FIG. 6 is a right side view thereof;
FIG. 7 is a top view thereof; and,
FIG. 8 is a bottom view thereof.

The broken lines shown in the drawings depict portions of the sprinkler toy in which the design is embodied that form no part of the claimed design.

1 Claim, 8 Drawing Sheets



(56)

References Cited

OTHER PUBLICATIONS

Melissa & Doug Sunny Patch Pretty Petals Flower Sprinkler Toy, May 12, 2016, amazon.ca, Jan. 7, 2022, URL: <https://www.amazon.ca/Melissa-Doug-Pretty-Sprinkler-Attachment/dp/B01AD1TZ9M> (Year: 2016).*

* cited by examiner

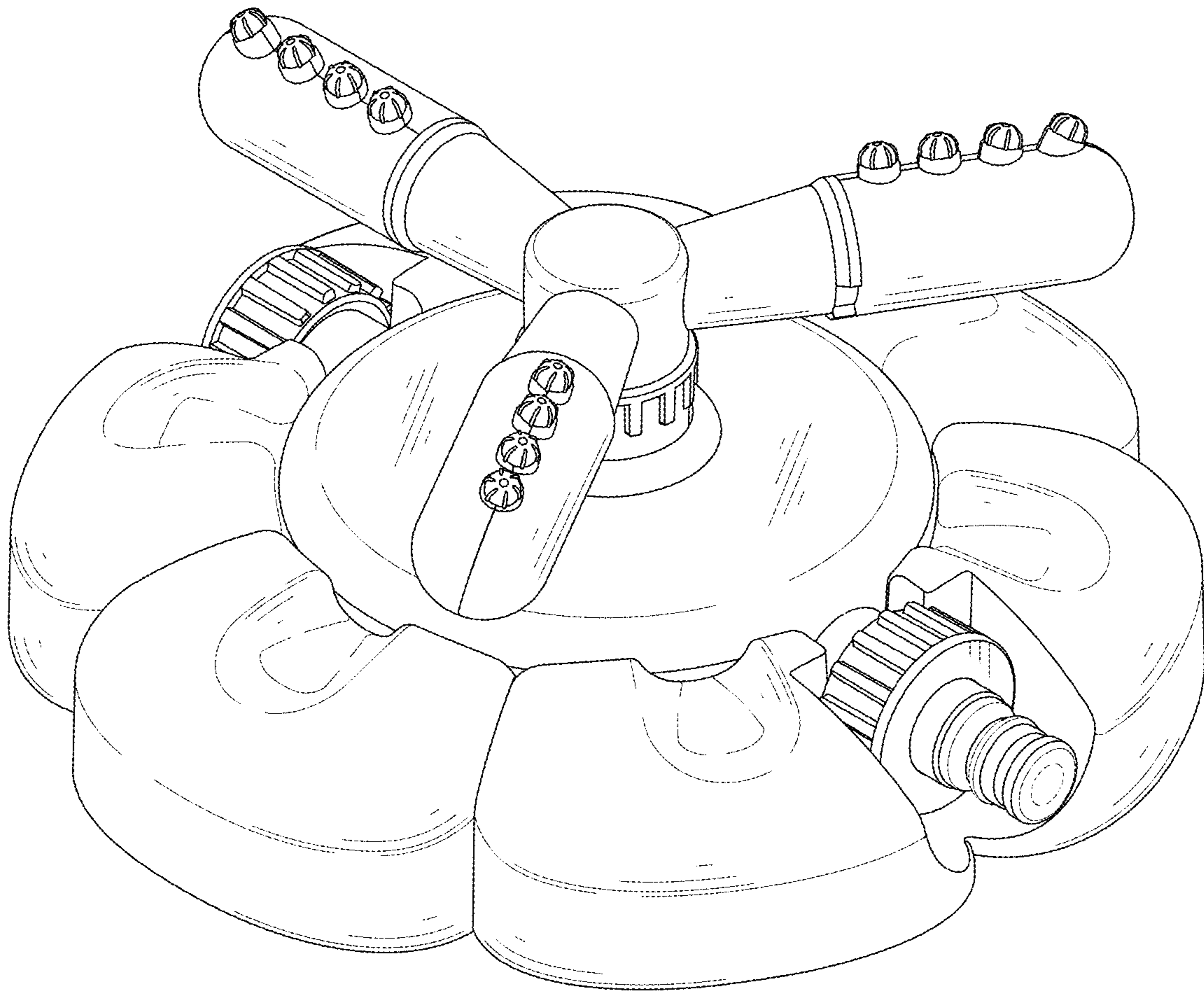


FIG. 1

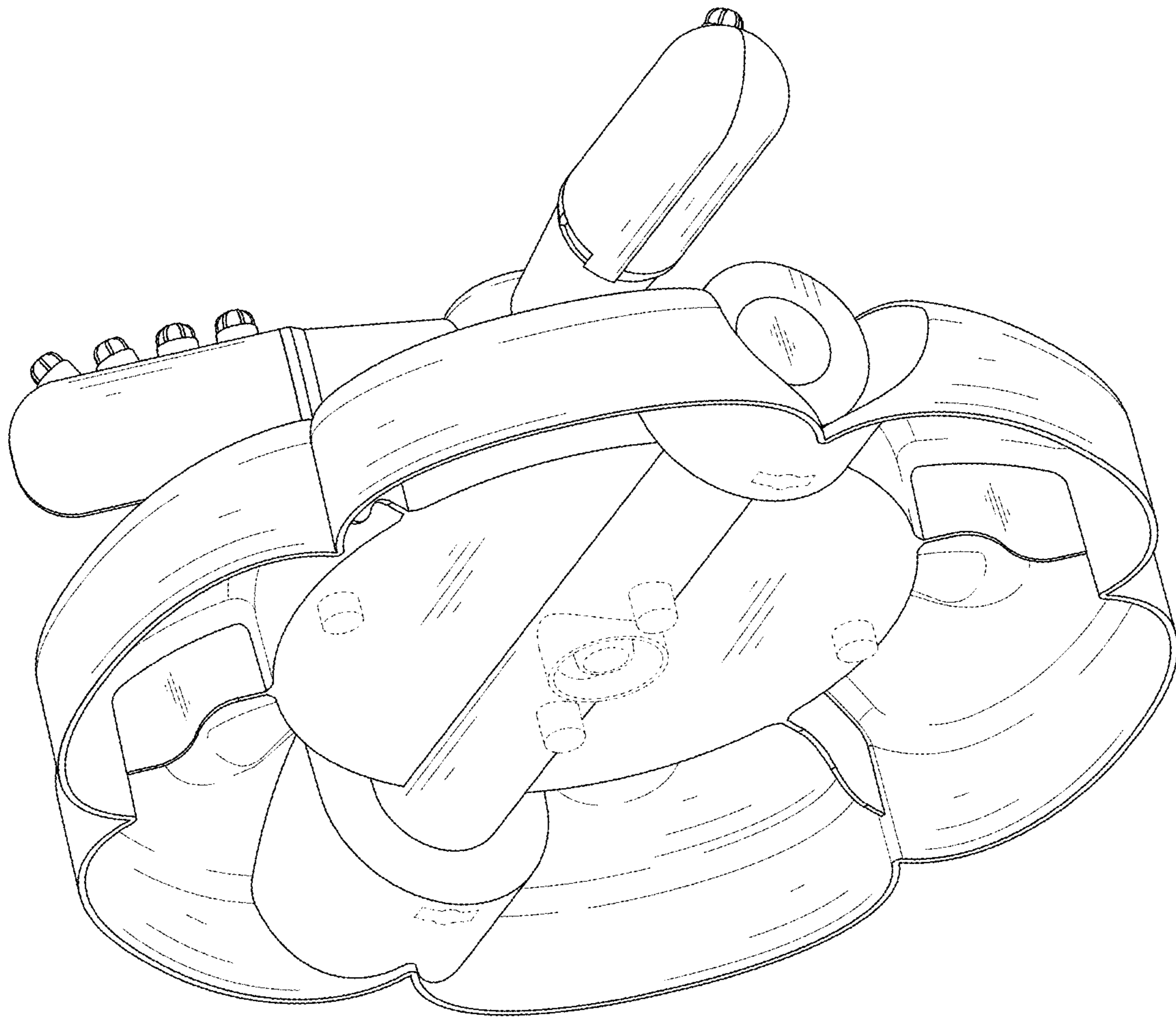


FIG. 2

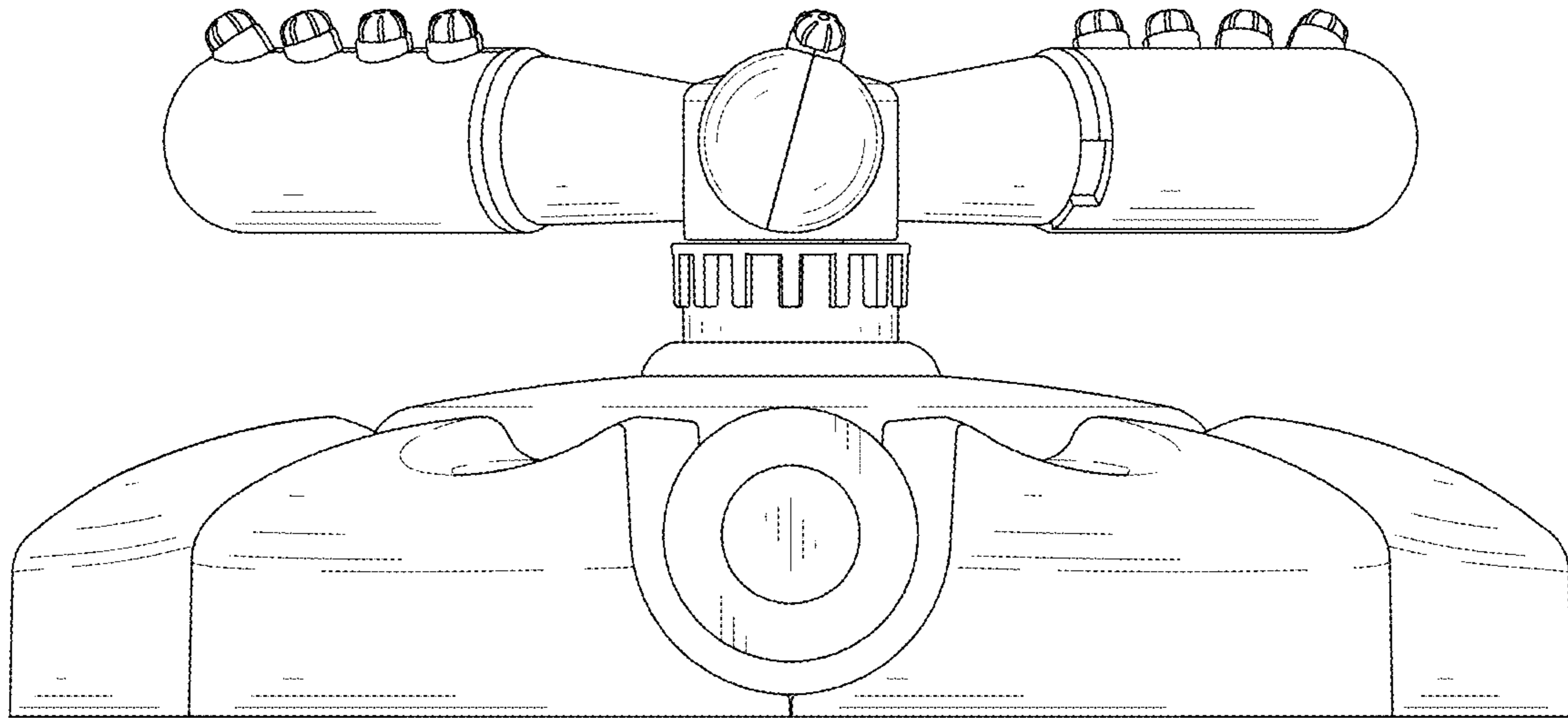


FIG. 3

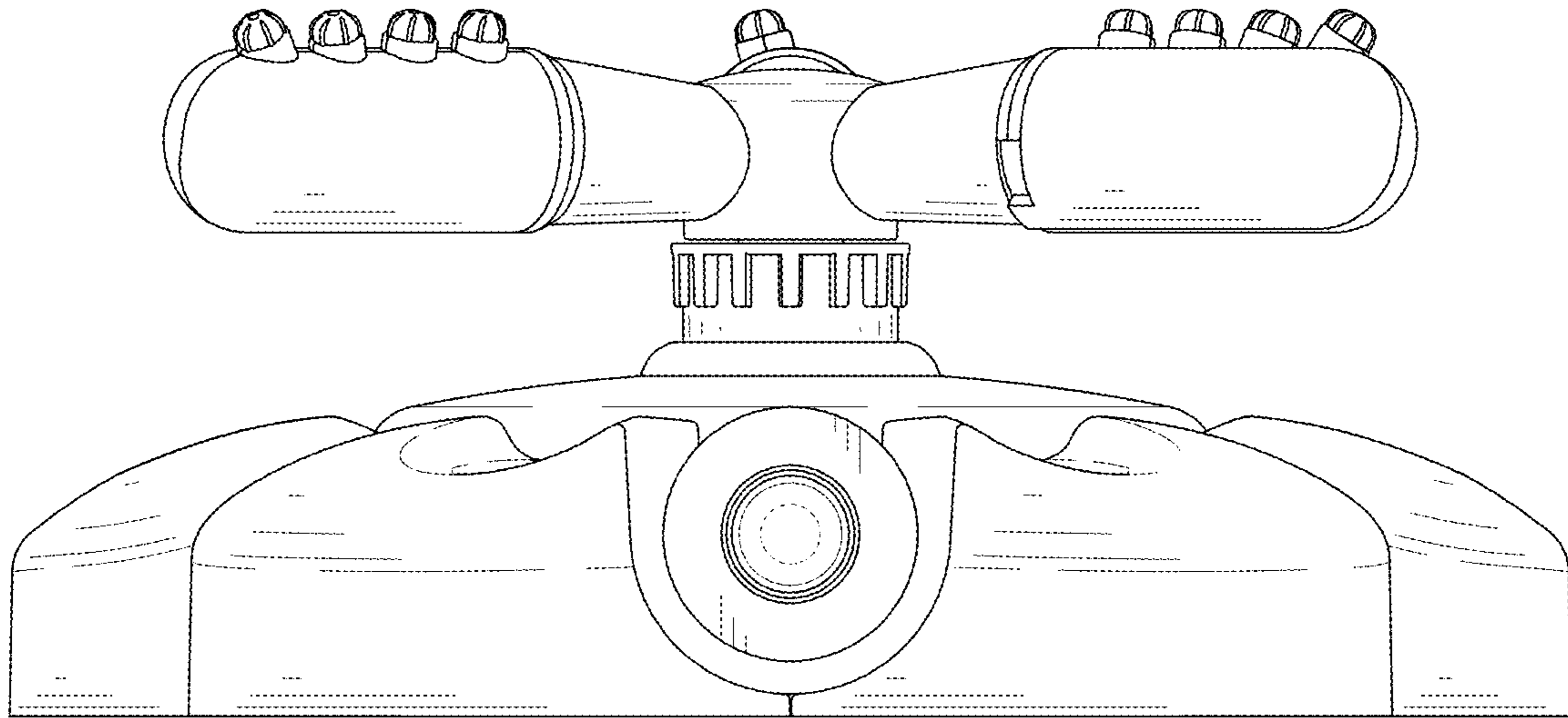


FIG. 4

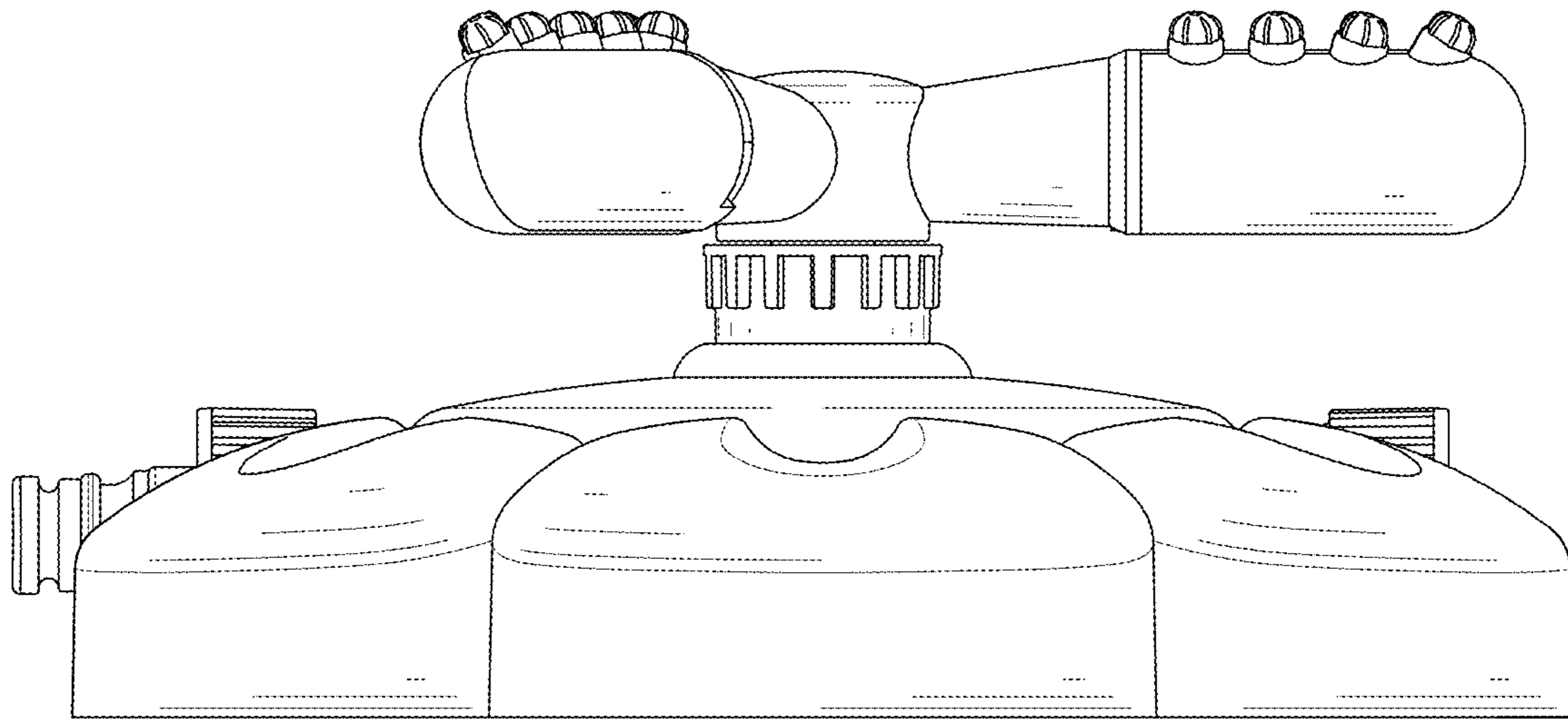


FIG. 5

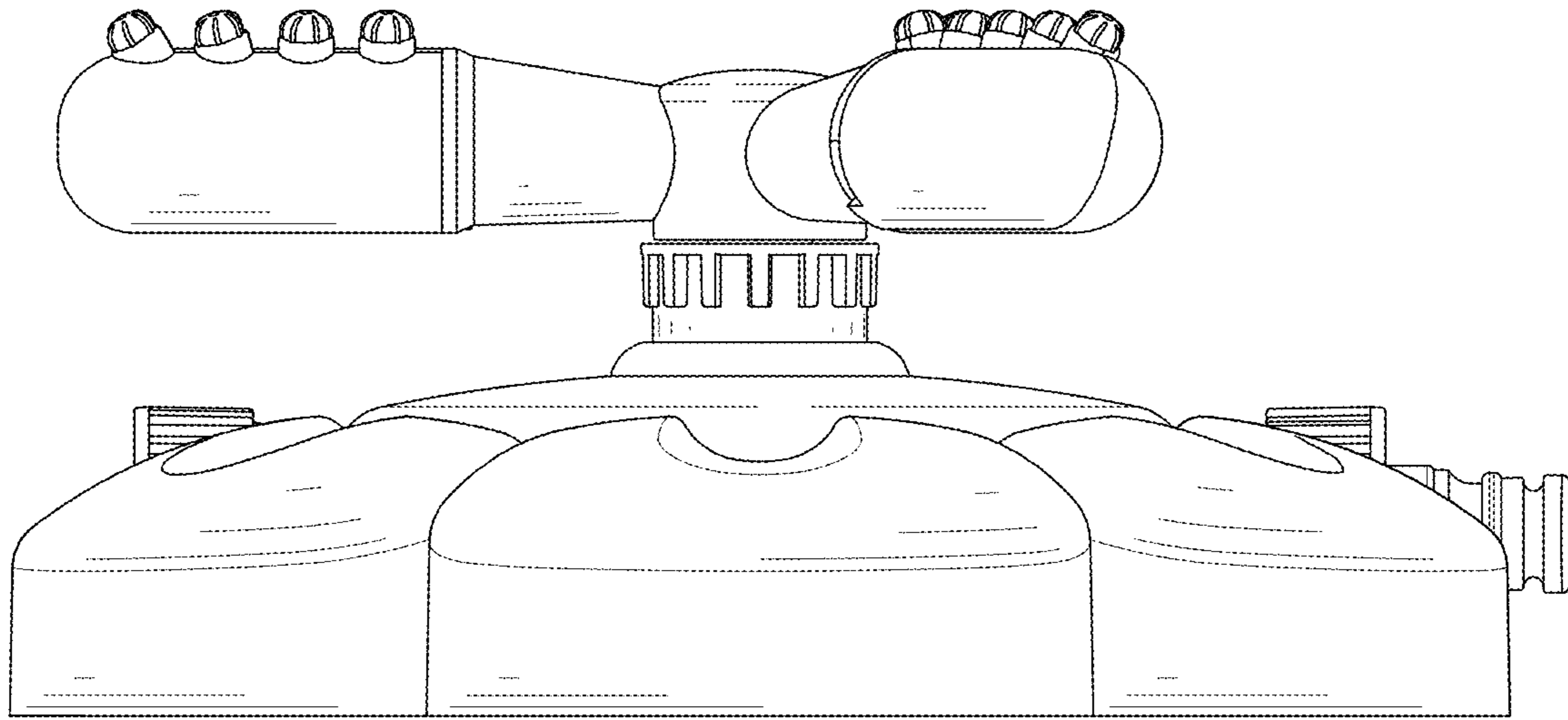


FIG. 6

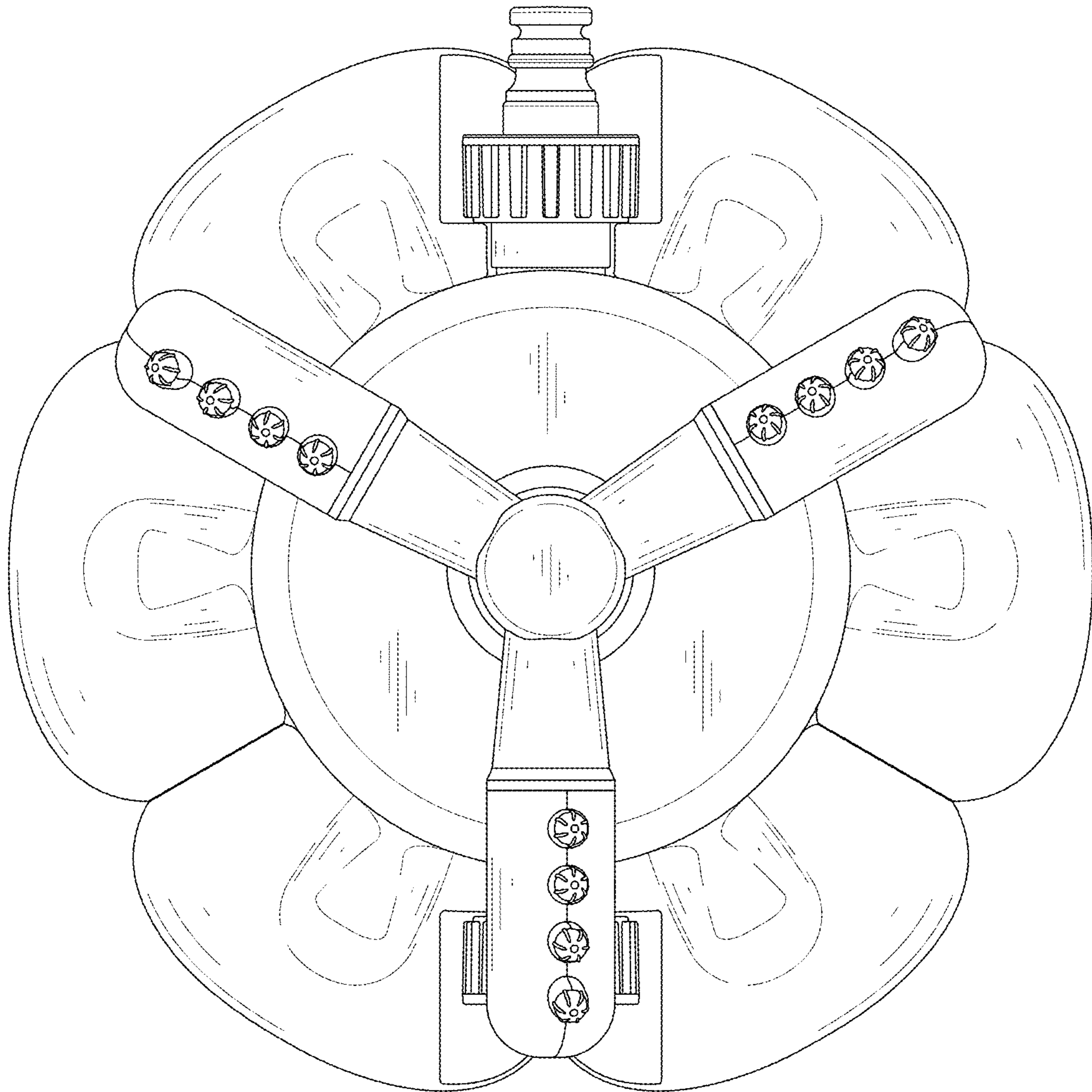


FIG. 7

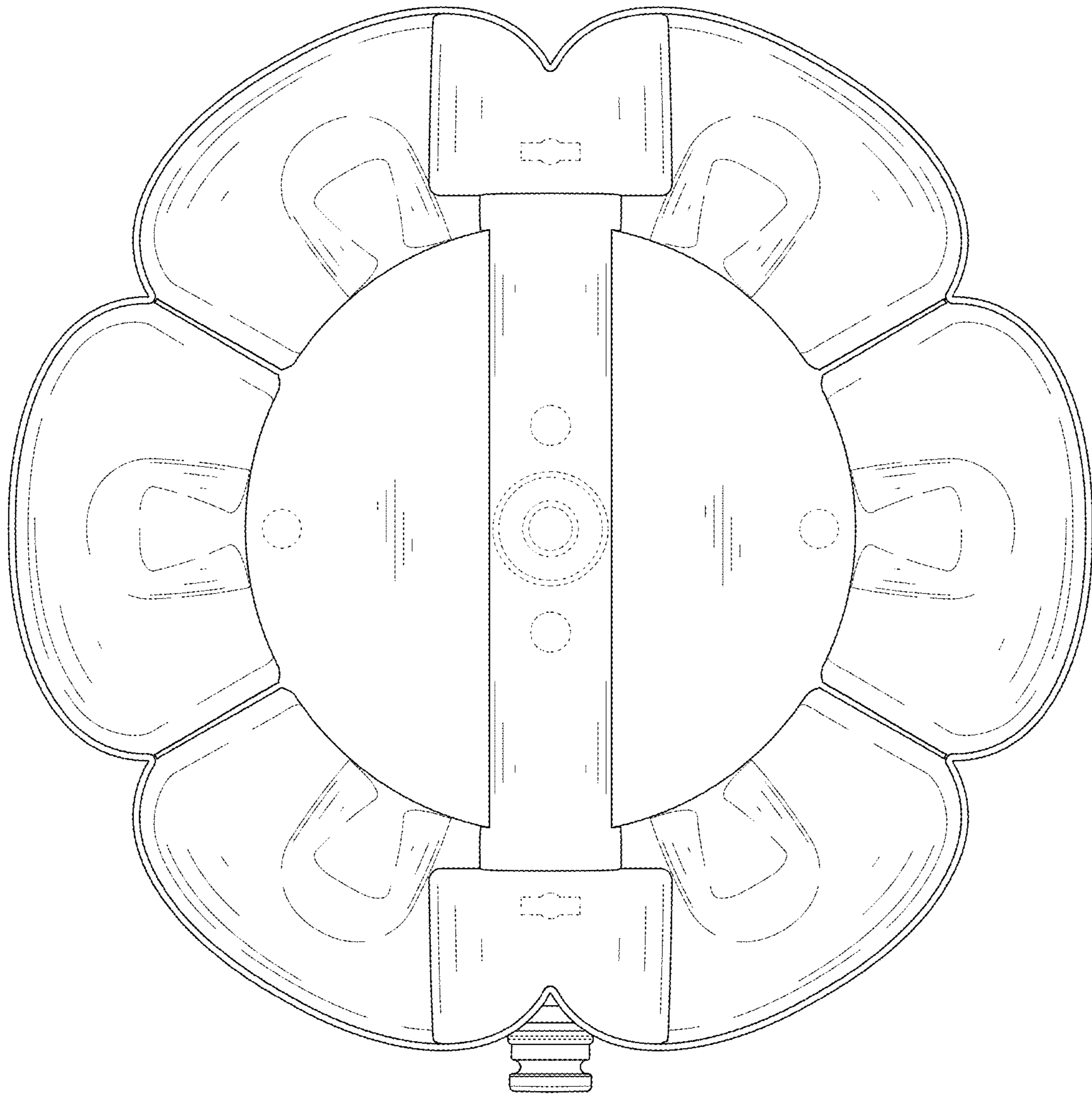


FIG. 8