



US00D960308S

(12) **United States Design Patent**  
**Ketterling**

(10) **Patent No.:** **US D960,308 S**

(45) **Date of Patent:** **\*\* Aug. 9, 2022**

(54) **GRIPPING HEAD FOR POP-UP SPRINKLER**

(71) Applicant: **Kody J. Ketterling**, Twin Falls, ID  
(US)

(72) Inventor: **Kody J. Ketterling**, Twin Falls, ID  
(US)

(\*\*) Term: **15 Years**

(21) Appl. No.: **29/744,781**

(22) Filed: **Jul. 31, 2020**

(51) **LOC (13) Cl.** ..... **23-01**

(52) **U.S. Cl.**  
USPC ..... **D23/214**

(58) **Field of Classification Search**  
USPC ..... D23/213, 214, 215, 223, 224, 226, 229,  
D23/230

CPC ..... A61H 9/0021; A61H 33/00; B05B 1/00;  
B05B 1/14; B05B 1/185; B05B 1/08;  
B05B 1/02; B05B 1/26; B05B 12/002;  
B05B 1/18; B05B 9/01

See application file for complete search history.

(56) **References Cited**

**U.S. PATENT DOCUMENTS**

D248,568 S *	7/1978	Ismach	604/68
D253,245 S *	10/1979	Allenbaugh, Jr.	D23/213
D289,542 S *	4/1987	Byrne	D23/221
D319,291 S *	8/1991	Hanzel	D23/213
D616,961 S *	6/2010	Goetz	D23/213
D734,868 S *	7/2015	Gilboa	D24/231
D757,933 S *	5/2016	Lev	D24/129
9,339,438 B2 *	5/2016	Lev	A61J 1/2051
D765,837 S *	9/2016	Lev	D24/129
D767,124 S *	9/2016	Lev	D24/129
D801,522 S *	10/2017	Ben Shalom	D24/129
D861,054 S *	9/2019	Avila	D15/199
D883,446 S *	5/2020	Comstock	D23/249

10,806,667 B2 *	10/2020	Denenburg	A61J 1/2072
D907,176 S *	1/2021	Qiang	D23/209
D909,606 S *	2/2021	Maibach, Jr.	D24/232
D916,265 S *	4/2021	Jung	D23/364
D920,469 S *	5/2021	Babaie	D23/207
D921,151 S *	6/2021	Cho	D23/207
D924,361 S *	7/2021	Matsushita	D23/235

**OTHER PUBLICATIONS**

Orbit 54010 Shrub and Plant Sprinkler Head, Jul. 29, 2016, Amazon.com, Sep. 9, 2021, URL: <https://www.amazon.com/dp/B00004S1TI> (Year: 2016).\*

Orbit 54009 Full Spray Pattern Plastic Shrub Head With Plastic Nozzle, Jun. 11, 2016, Amazon.com, Sep. 9, 2021, URL: <https://www.amazon.com/Orbit-54009-Pattern-Plastic-Nozzle/dp/B00004S1TH> (Year: 2016).\*

(Continued)

*Primary Examiner* — Keith J Wilson

(74) *Attorney, Agent, or Firm* — Burdick Patents, P.A.;  
Sean D. Burdick

(57) **CLAIM**

The ornamental design for a gripping head for pop-up sprinkler, as shown and described.

**DESCRIPTION**

FIG. 1 is a perspective view of a gripping head for pop-up sprinkler, showing my new design.

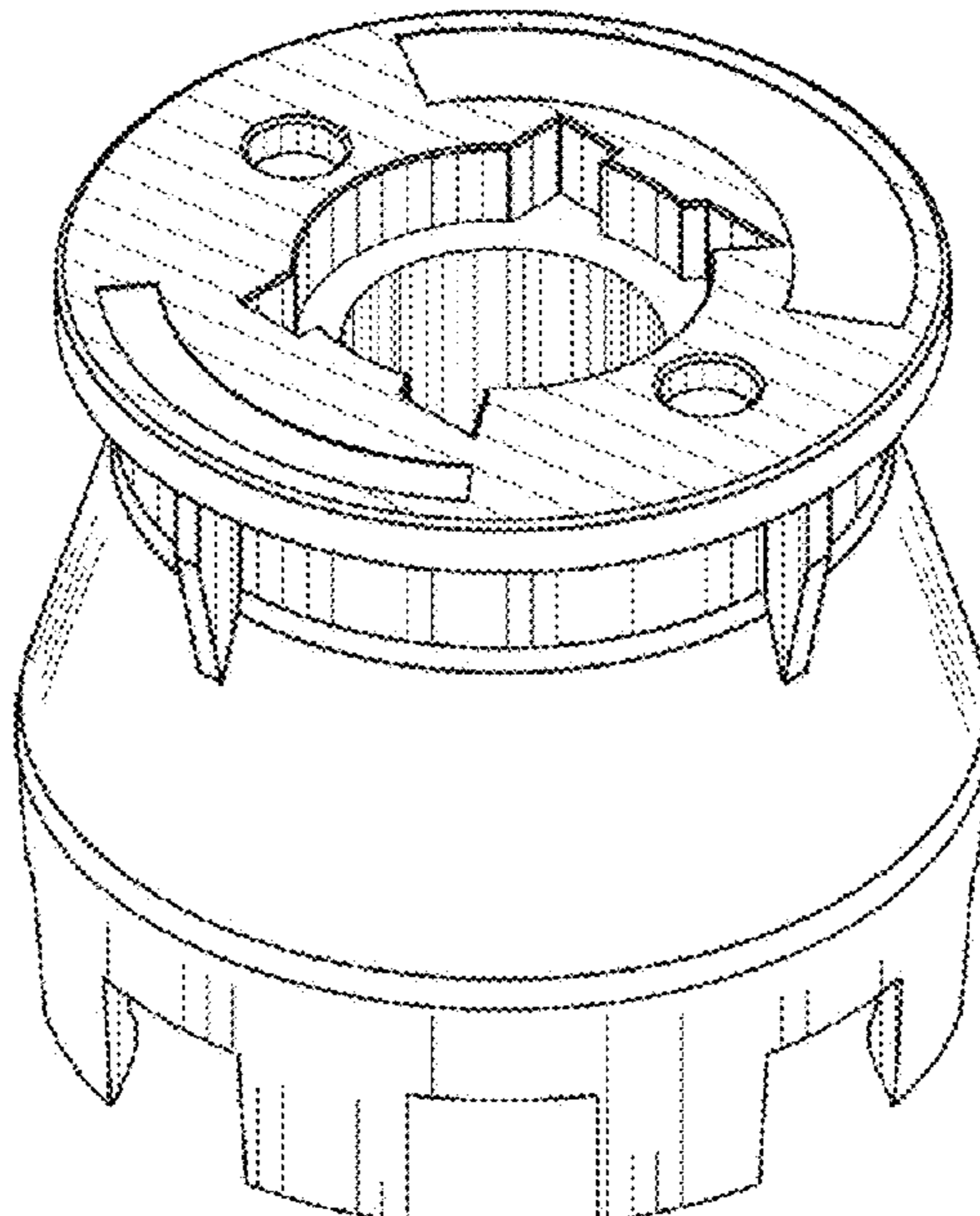
FIG. 2 is a top view thereof.

FIG. 3 is a bottom view thereof; and,

FIG. 4 is a side view thereof, whether viewed from the front, rear, left or right side.

The broken line showing of a gripping head is included for the purpose of illustrating portions of the article and forms no part of the claimed design.

**1 Claim, 2 Drawing Sheets**



(56)

**References Cited**

OTHER PUBLICATIONS

Orbit 54023 Adjustable Pattern Shrub Head Sprinkler, Sep. 17, 2019, Amazon.com, 9/92021, URL: <https://www.amazon.com/Orbit-54023-Adjustable-Pattern-Sprinkler/dp/B006ZN225C> (Year: 2019).\*

Pop-Up Sprinkler Riser Extension, Aug. 29, 2020, homedepot.com, Sep. 1, 2021, URL: <https://www.homedepot.com/p/KAP-IT-Pop-Up-Sprinkler-Riser-Extension-Attach-to-Top-of-Pop-Up-1-5-lift-Pop-Up-Riser-Kap-Virtually-NO-Digging-2-pk-Kap-02R/313655761> (Year: 2020).\*

Modtek Replacement Pop UP Sprinkler Heads, Jun. 7, 2019, Amazon.com, Sep. 1, 2021, URL: <https://www.amazon.com/Modtek-Replacement-Sprinkler-RainBird-Sprinklers/dp/B07QJTD2H> (Year: 2019).\*

Hunter Sprinkler 8A Pro Adjustable Radius Nozzle, Oct. 18, 2015/, Amazon.com, Sep. 1, 2021, URL: <https://www.amazon.com/dp/B00FYQWMPQ> (Year: 2015).\*

Pop-Up Sprinkler Riser Extension, Aug. 29, 2020, homedepot.com, Sep. 1, 2021, URL: <https://www.homedepot.com/p/KAP-IT-Pop-Up-Sprinkler-Riser-Extension-Attach-to-Top-of-Pop-Up-1-5-lift-Pop-Up-Kap-Virtually-NO-Digging-2-pk-Kap-02R/313655761> (Year: 2020).

\* cited by examiner

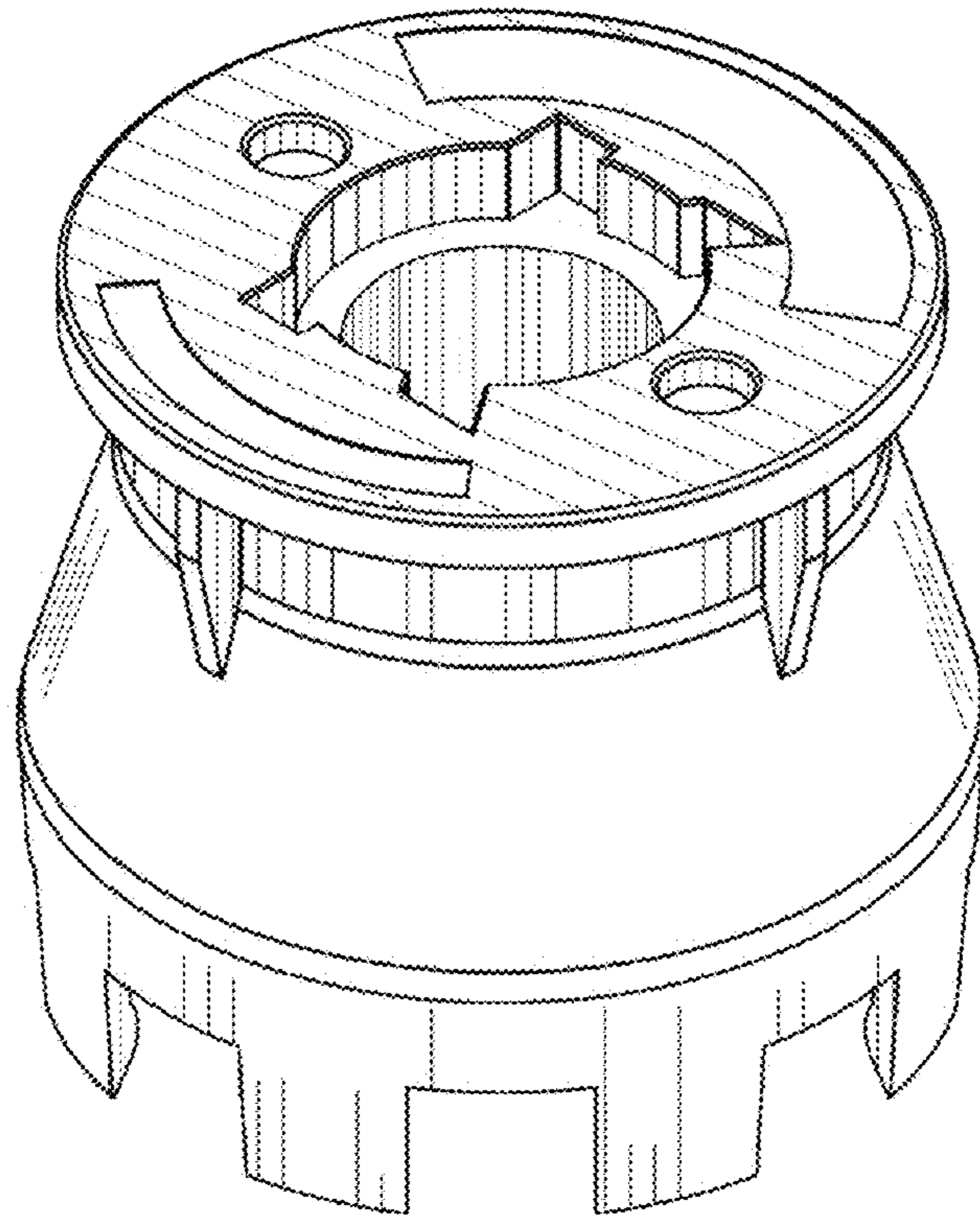


FIG. 1

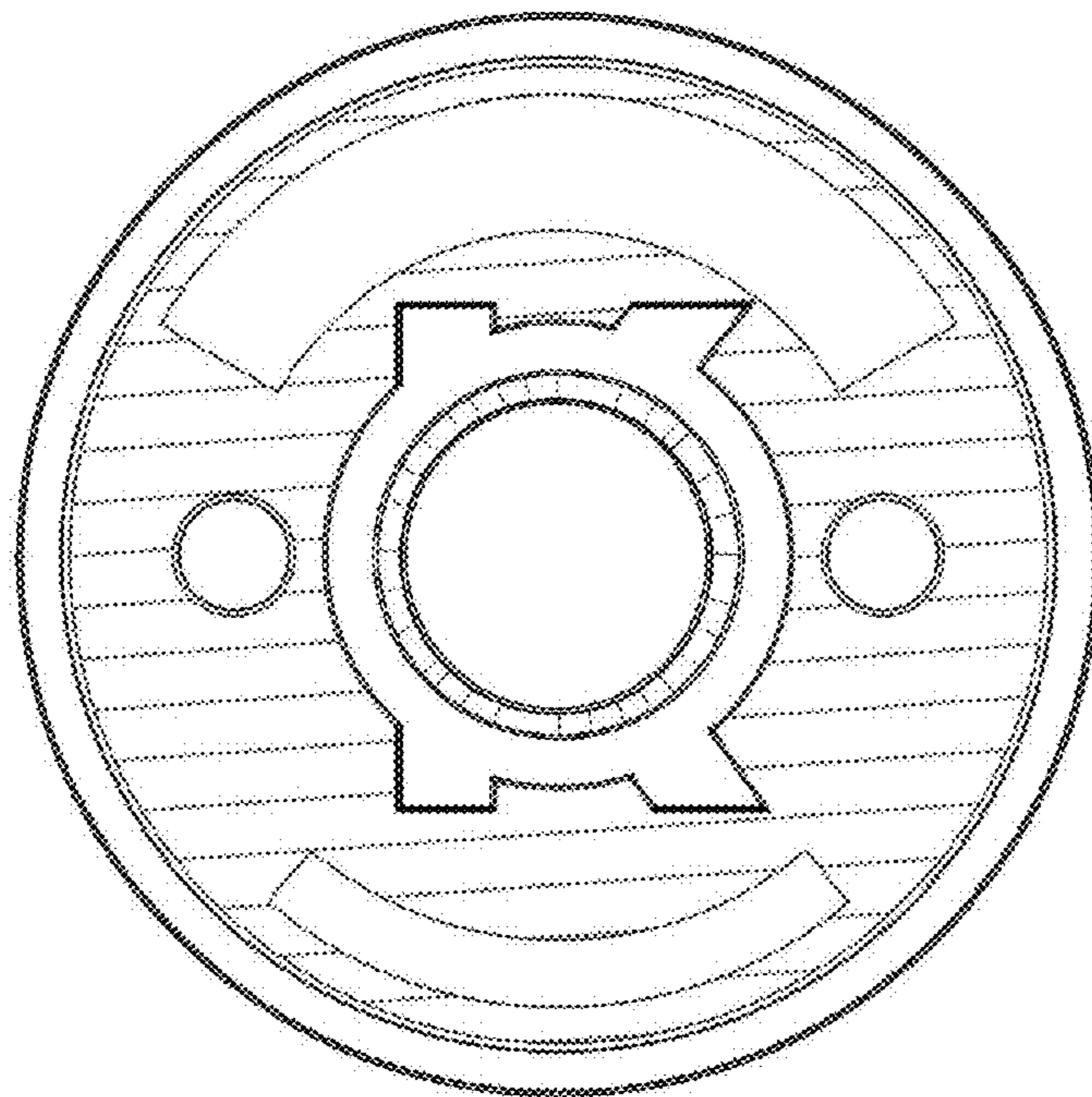


FIG. 2

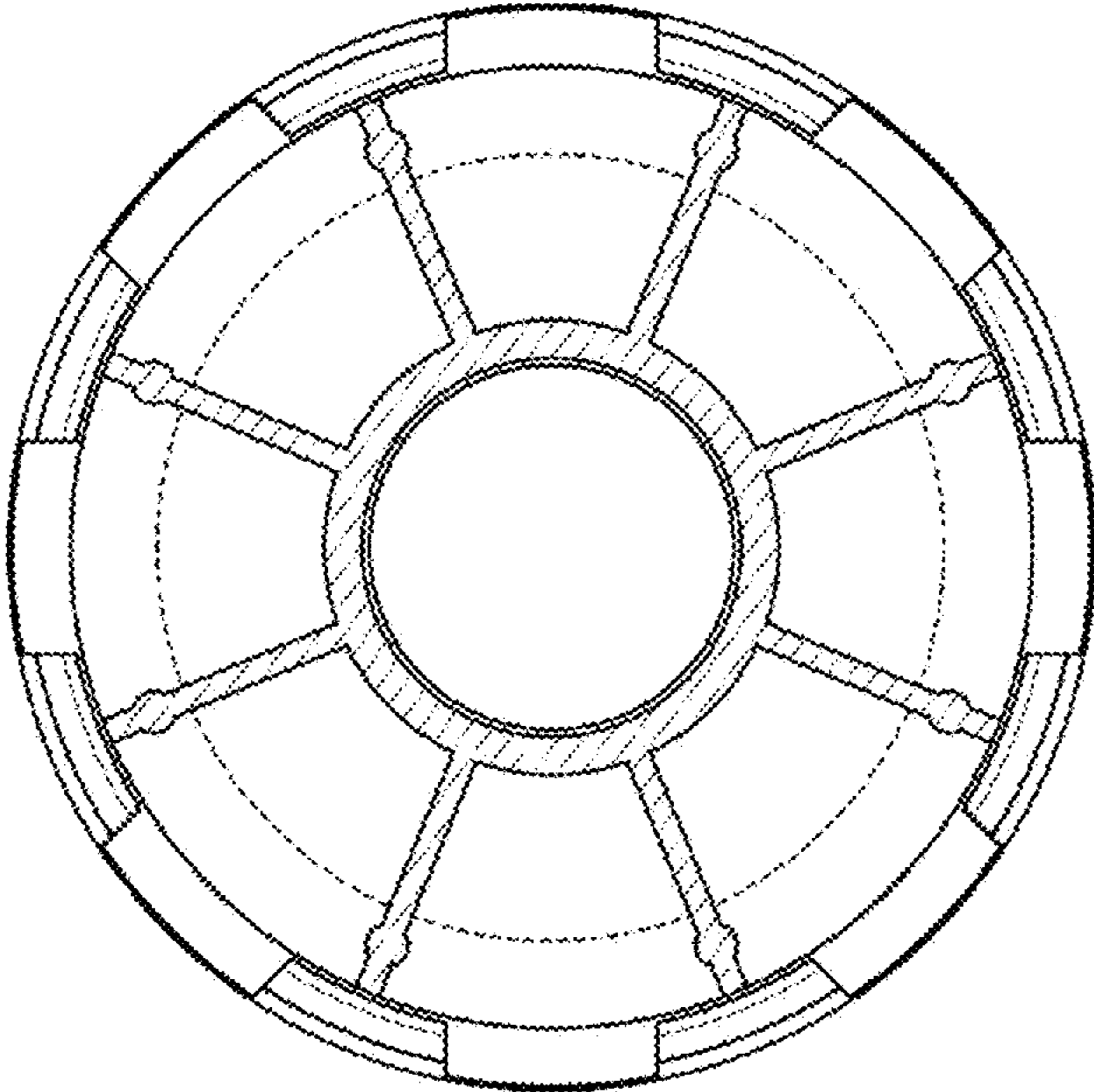


FIG. 3

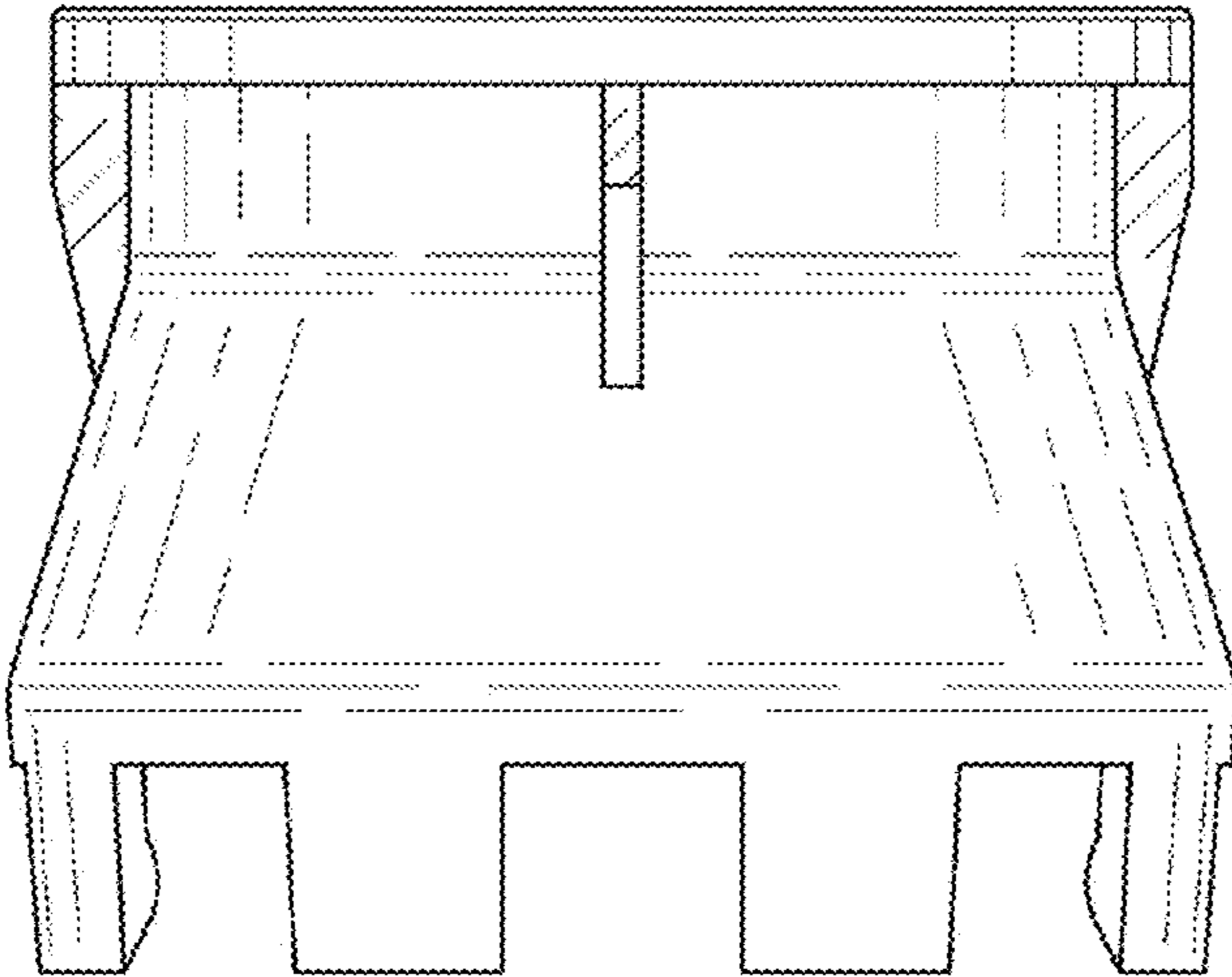


FIG. 4