

US00D960307S

(12) **United States Design Patent**
Yang et al.

(10) **Patent No.:** **US D960,307 S**

(45) **Date of Patent:** **** Aug. 9, 2022**

(54) **WATERING BOTTLE**

(71) Applicant: **SHENZHEN HEISAI TECHNOLOGY CO., LTD.**, Shenzhen (CN)

(72) Inventors: **Yanming Yang**, Shenzhen (CN); **Yun Luo**, Shenzhen (CN)

(73) Assignee: **SHENZHEN HEISAI TECHNOLOGY CO., LTD.**, Shenzhen (CN)

(**) Term: **15 Years**

(21) Appl. No.: **29/796,578**

(22) Filed: **Jun. 25, 2021**

(51) **LOC (13) Cl.** **23-01**

(52) **U.S. Cl.**
USPC **D23/213**

(58) **Field of Classification Search**
USPC D8/2; D23/212, 213, 222, 223, 225, 226, D23/255; D32/4
CPC .. A01G 25/14; B05B 1/00; B05B 1/10; B05B 1/12; B05B 1/3006; B05B 7/12; B05B 7/2402; B05D 1/10; B05D 1/20; B05D 1/1645
See application file for complete search history.

(56) **References Cited**

U.S. PATENT DOCUMENTS

- 3,447,753 A * 6/1969 Proctor B05B 7/12 239/317
- D270,368 S * 8/1983 Grime D23/225
- D279,212 S * 6/1985 Carlson D23/212
- D285,242 S * 8/1986 Hengesbach D23/226
- D294,965 S * 3/1988 Garrard D23/223
- D300,769 S * 4/1989 Hindmarch D23/225
- D305,354 S * 1/1990 Tejamo D23/222

- D315,193 S * 3/1991 Lach D23/215
- D324,562 S * 3/1992 Heitz D23/213
- D344,217 S * 2/1994 Weiss D23/213
- D352,345 S * 11/1994 Stieh D23/213
- D353,874 S * 12/1994 Clivio D23/213

(Continued)

OTHER PUBLICATIONS

BKSAI DIY Bottle Cap Bottle Watering Spout, Amazon.com, First available date: May 8, 2021. Retrieved from the internet Mar. 28, 2022<URL:https://www.amazon.com/BKSAI-Watering-Hanging-Without-Succulents/dp/B094FR427N/ (Year: 2021).*

(Continued)

Primary Examiner — Joseph Kukella
Assistant Examiner — Darryl J Dardenne

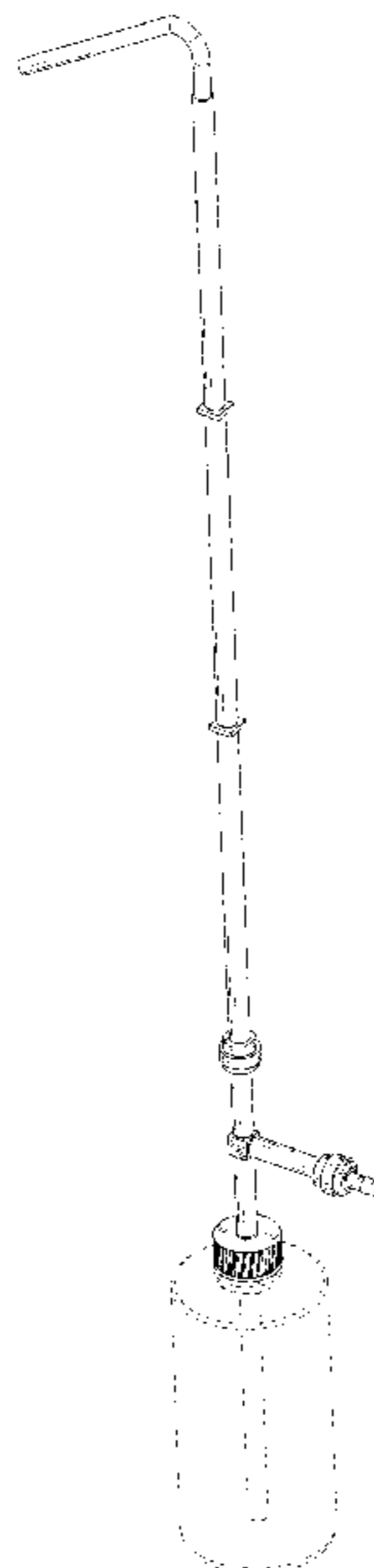
(57) **CLAIM**

The ornamental design for a watering bottle, as shown and described.

DESCRIPTION

FIG. 1 is a perspective view of a watering bottle showing my new design;
FIG. 2 is another perspective view thereof;
FIG. 3 is a front elevational view thereof;
FIG. 4 is a rear elevational view thereof;
FIG. 5 is a left side elevational view thereof;
FIG. 6 is a right side elevational view thereof;
FIG. 7 is a top plan view thereof;
FIG. 8 is a bottom plan view thereof;
FIG. 9 is an enlarged view of portion 9 shown in FIG. 1;
FIG. 10 is an enlarged view of portion 10 shown in FIG. 1;
FIG. 11 is an enlarged view of portion 11 shown in FIG. 3;
and,
FIG. 12 is a perspective view of the watering bottle where the watering bottle is in a configuration of use.
The broken lines in the drawings depict portions of the watering bottle that form no part of the claimed design.

1 Claim, 12 Drawing Sheets



(56)

References Cited

U.S. PATENT DOCUMENTS

5,671,887 A * 9/1997 Iavarone B05B 7/2445
 111/7.1
 D498,288 S * 11/2004 Chen D23/223
 D582,003 S * 12/2008 Dorris D23/213
 D592,364 S * 5/2009 Diciuccio D32/4
 D612,452 S * 3/2010 Nugent D23/226
 D635,642 S 4/2011 Hung
 D655,380 S * 3/2012 Taylor D24/111
 D699,814 S * 2/2014 Ondarra D23/226
 D710,484 S * 8/2014 Ariss D23/223
 9,561,516 B2 * 2/2017 Decker A01M 7/0046
 D887,216 S 6/2020 Zhou
 D891,579 S * 7/2020 Cai A01M 7/0046
 D23/213
 2002/0134860 A1 * 9/2002 Halle B05B 11/02
 239/320
 2004/0118940 A1 * 6/2004 Lavitt B05B 9/0861
 239/302
 2016/0023225 A1 * 1/2016 Decker A01M 7/0046
 239/8
 2017/0347542 A1 * 12/2017 Ryan A01G 29/00

OTHER PUBLICATIONS

BKSAI Plant Water Bottle for Hanging Plant with Long Spout Can Watering Bottle, Amazon.com, First available date: May 8, 2021. Retrieved from the internet Mar. 28, 2022<URL:https://www.amazon.com/BKSAI-Hanging-Watering-Squeeze-Succulents/dp/B094FTBPPW/ (Year: 2021).*

* cited by examiner

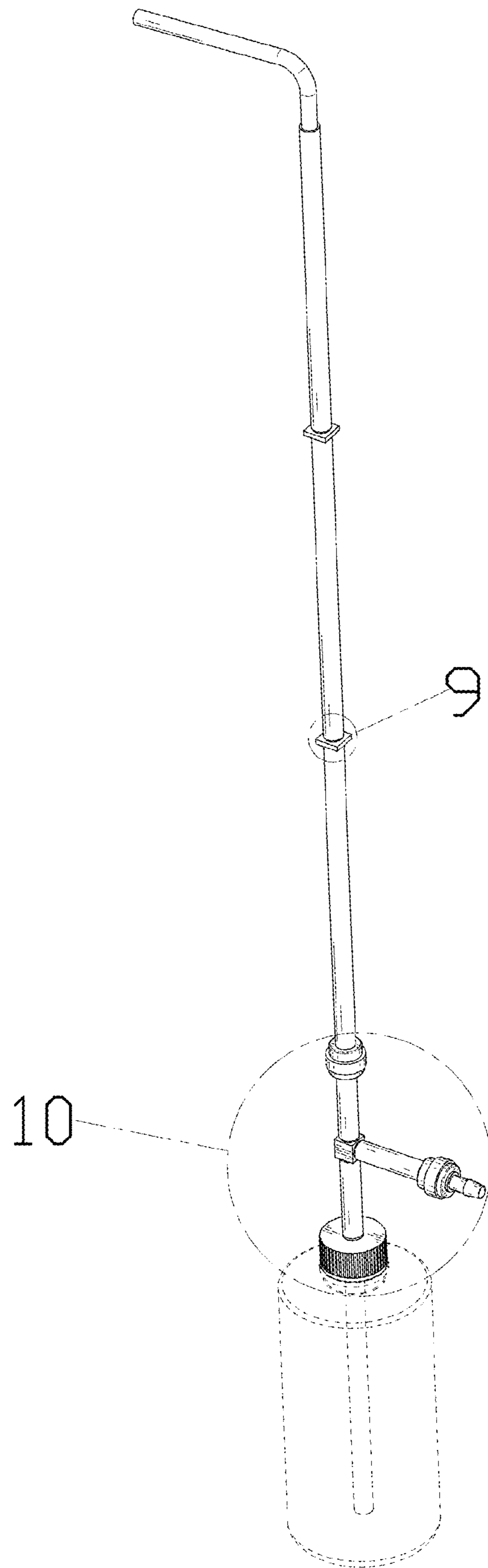


FIG. 1

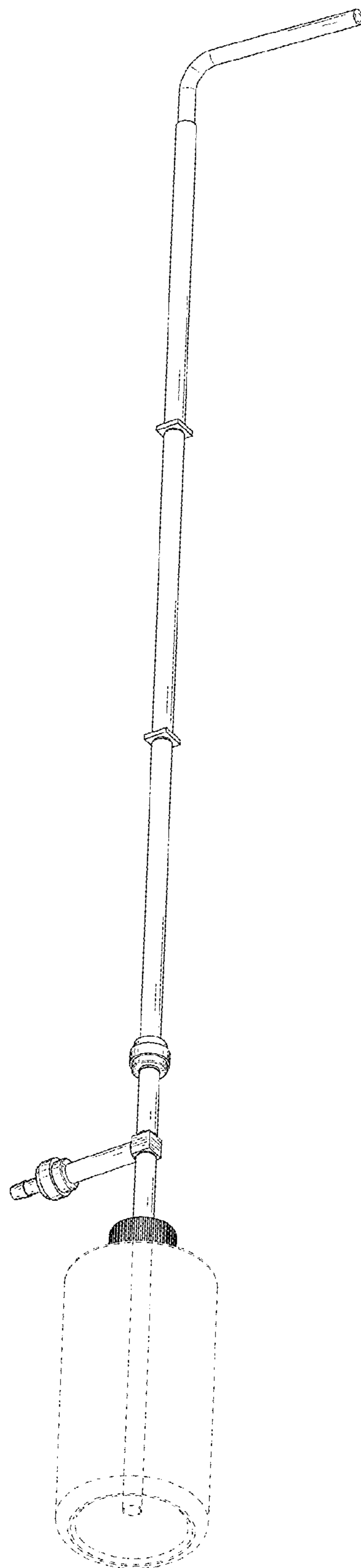


FIG. 2

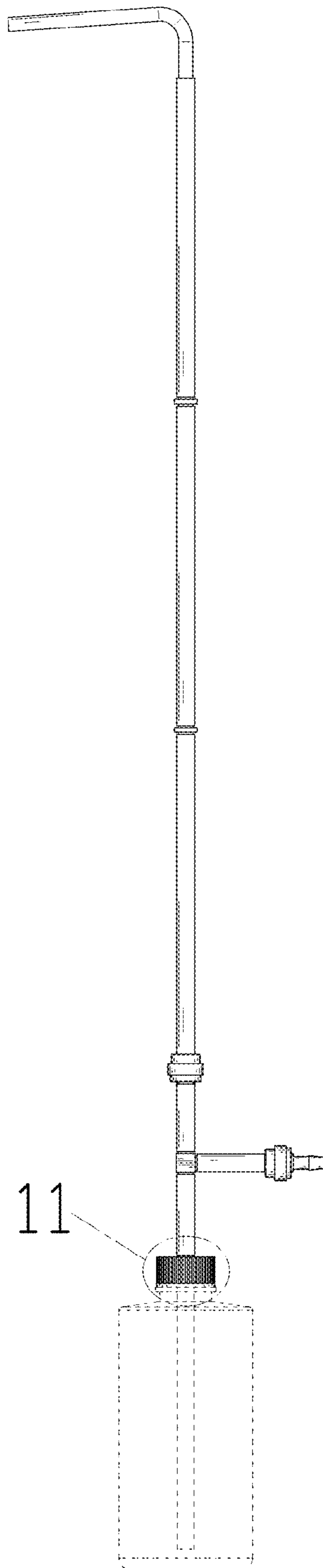


FIG. 3

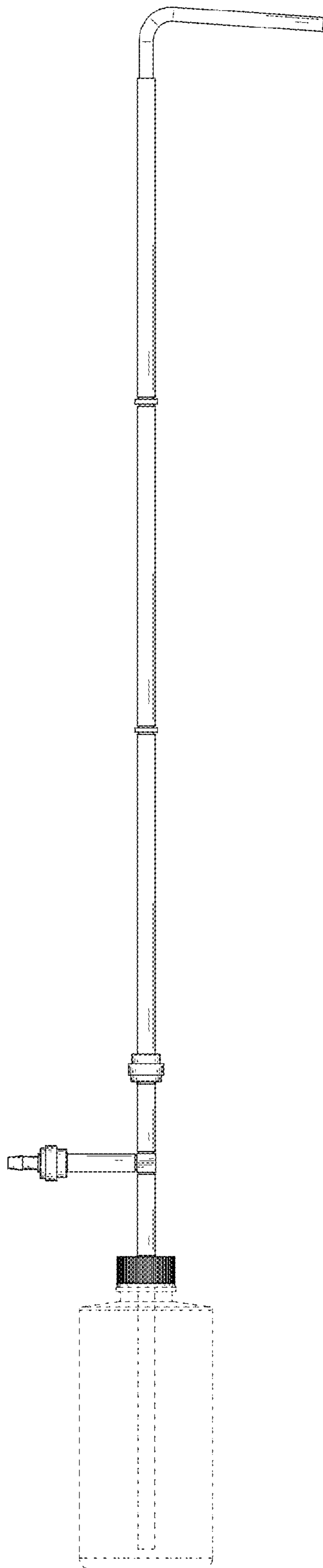


FIG. 4

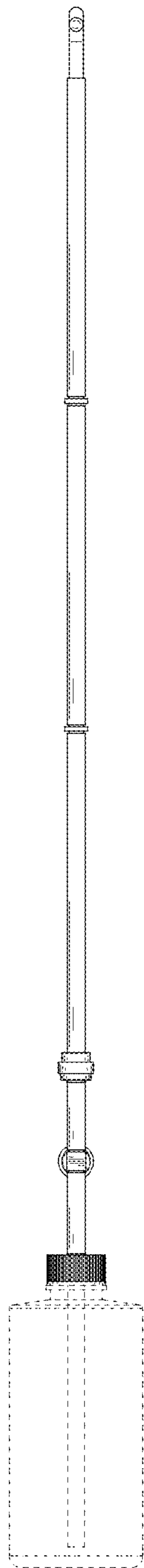


FIG. 5

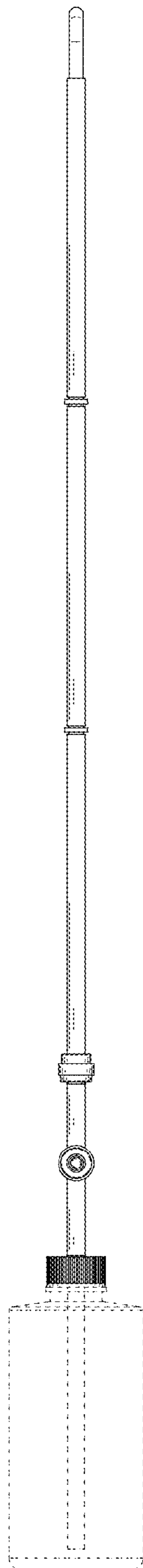


FIG. 6

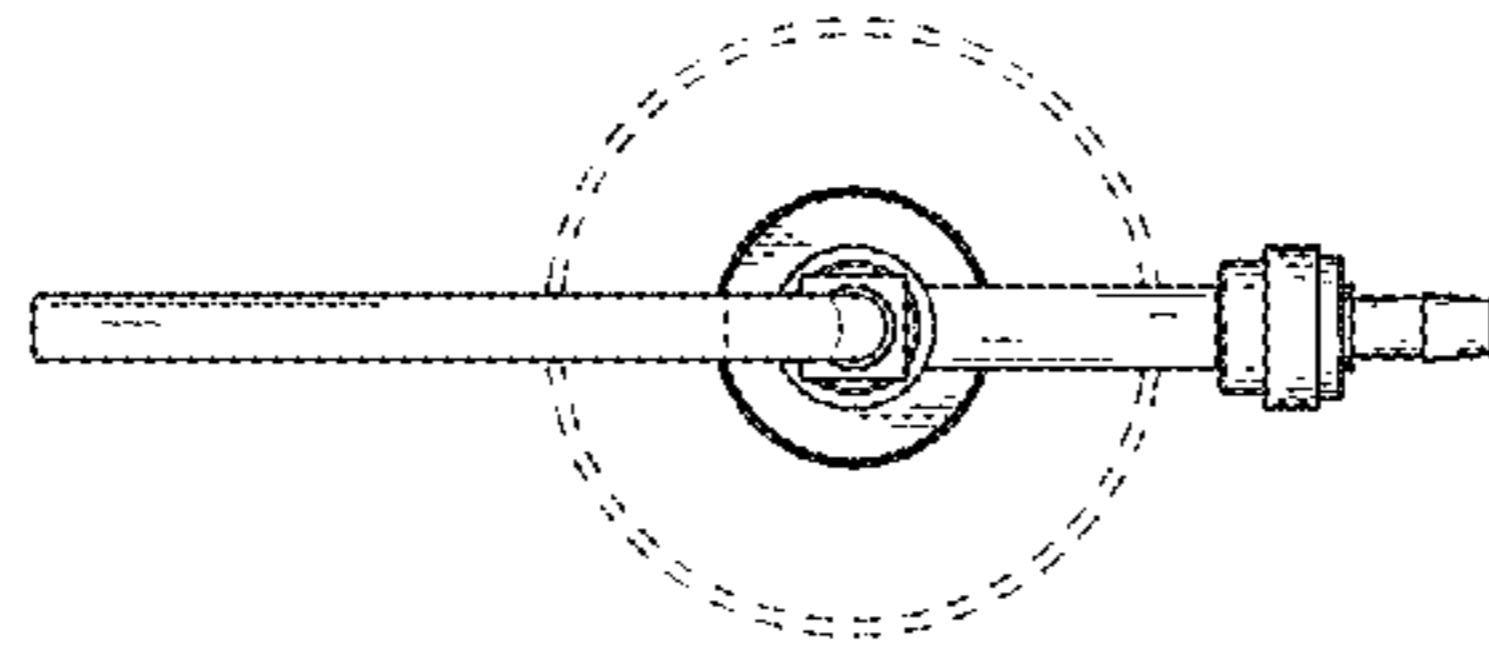


FIG. 7

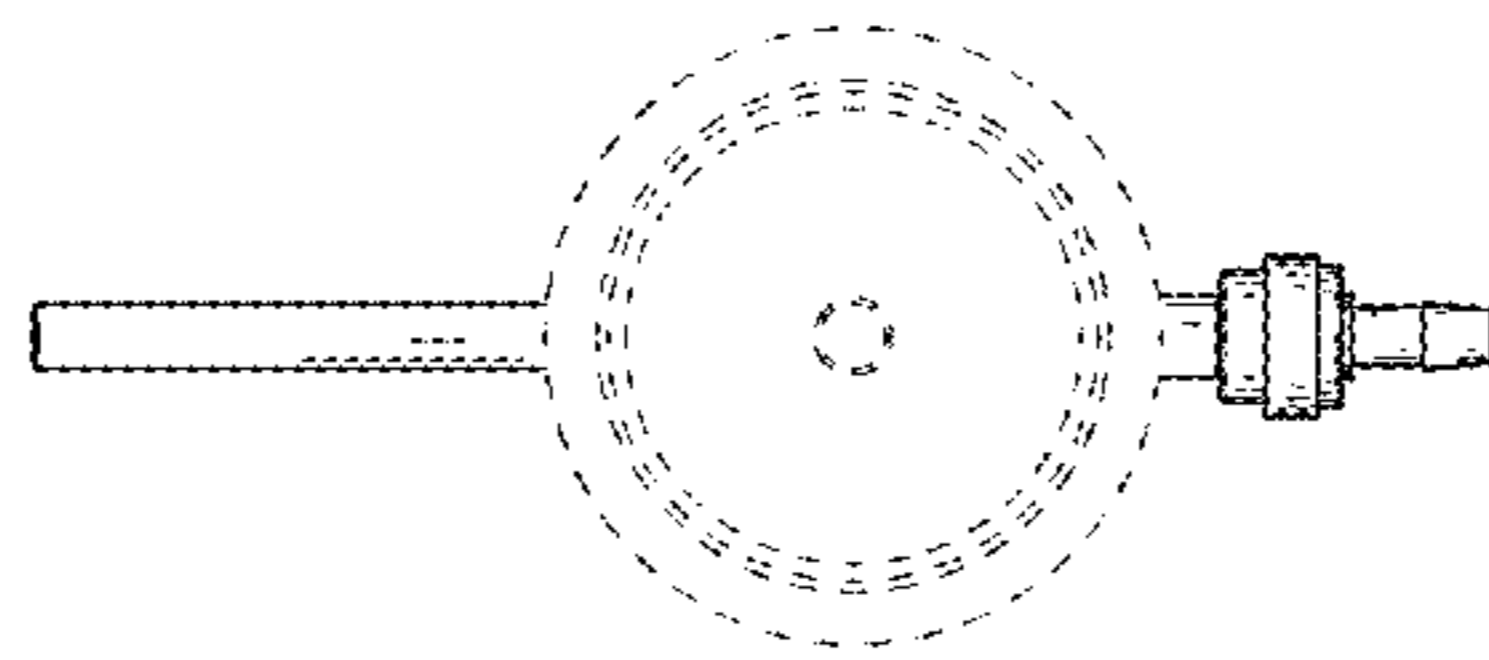


FIG. 8

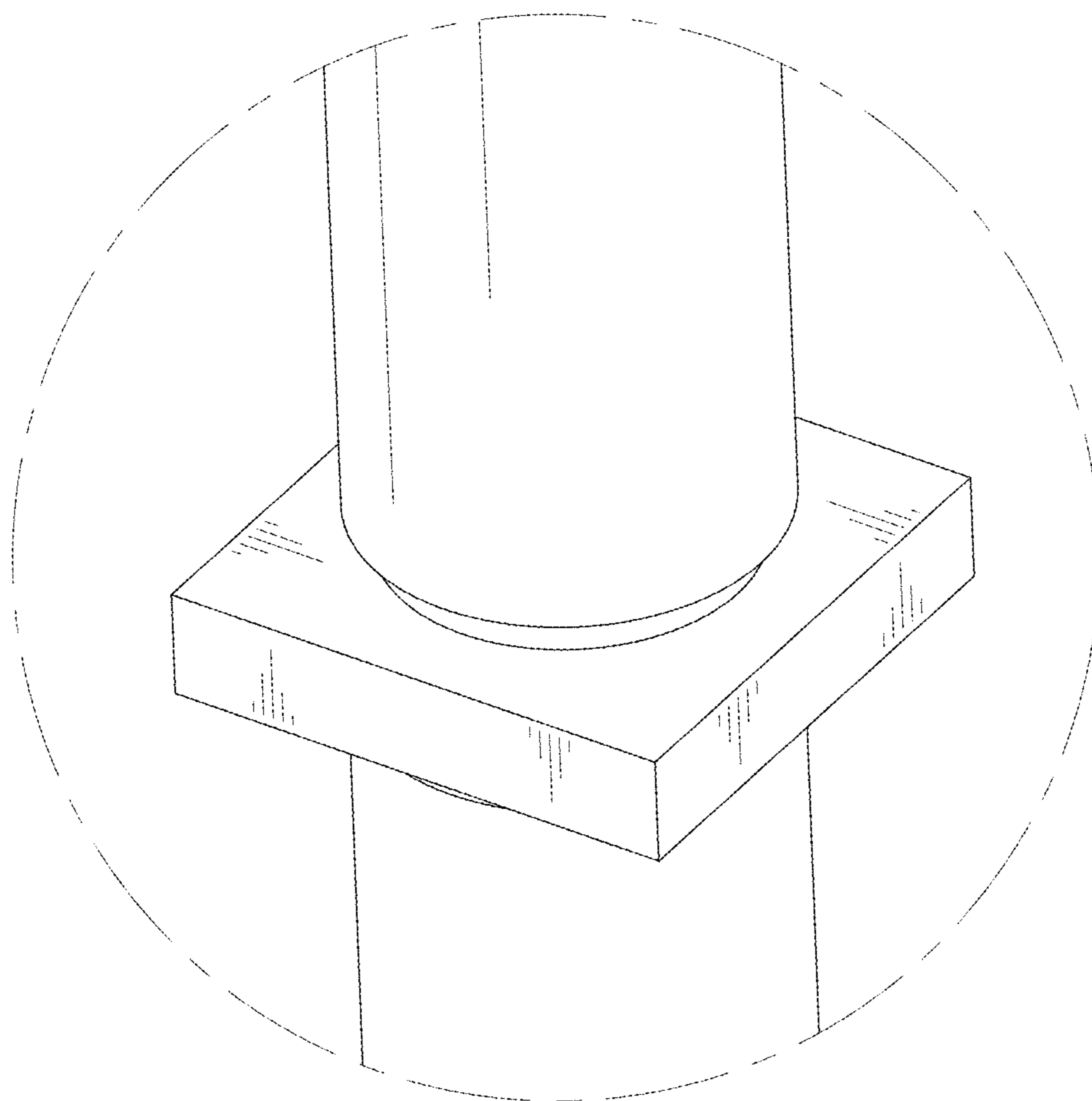


FIG. 9

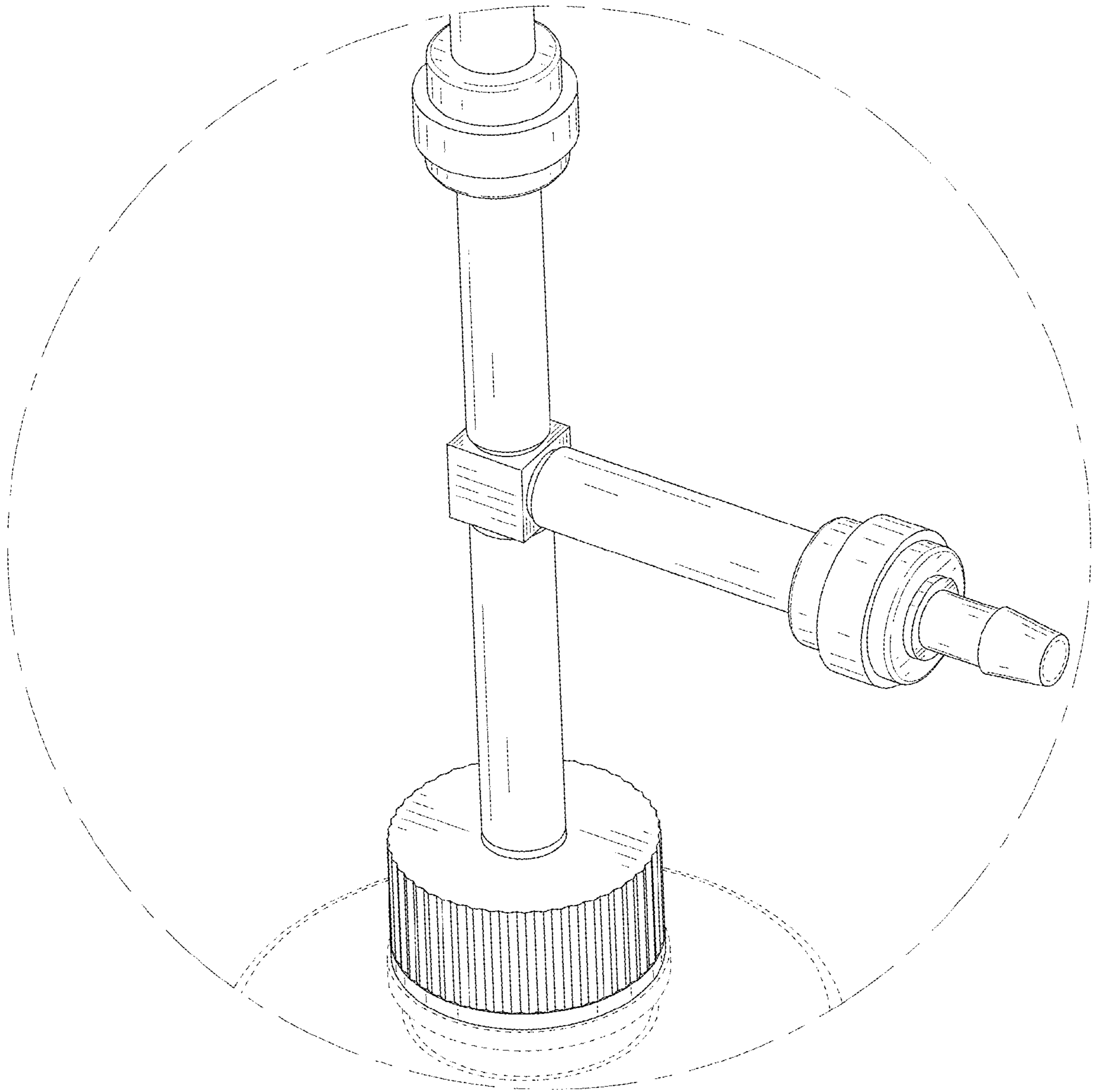


FIG. 10

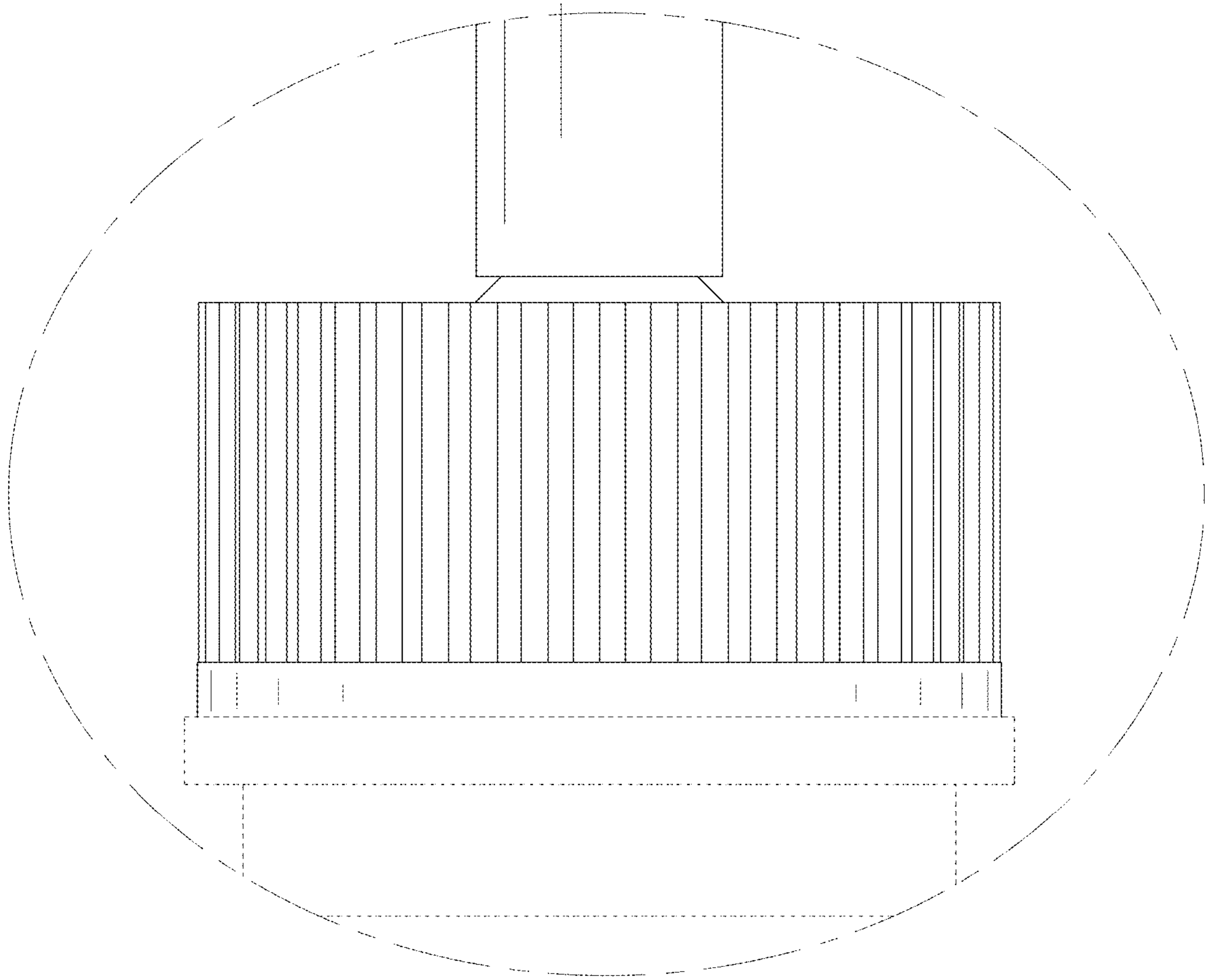


FIG. 11

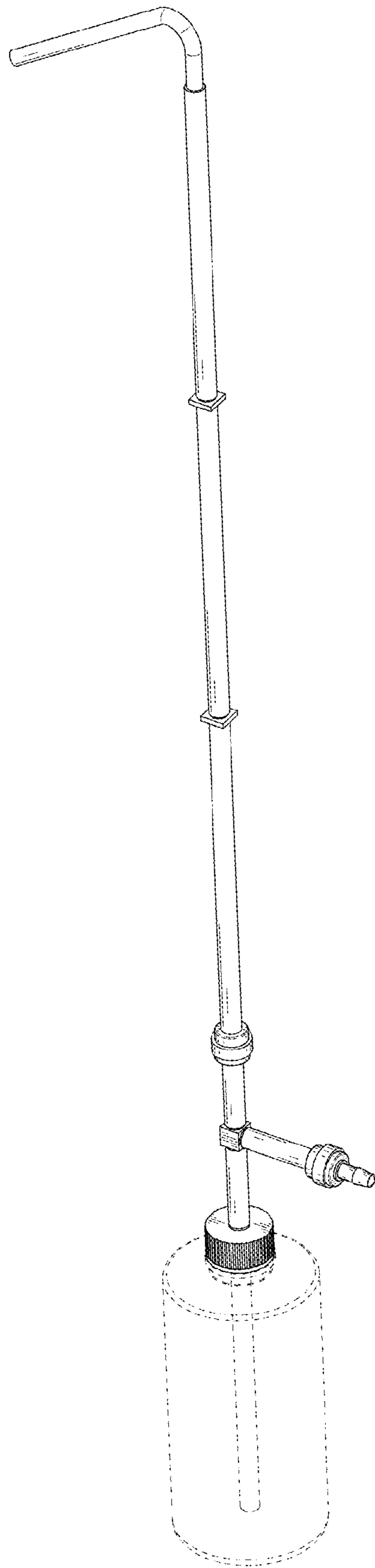


FIG. 12