

US00D960306S

(12) **United States Design Patent**
Eads et al.

(10) **Patent No.:** **US D960,306 S**
(45) **Date of Patent:** **** Aug. 9, 2022**

(54) **FAUCET SPRAYHEAD**
(71) Applicant: **DELTA FAUCET COMPANY,**
Indianapolis, IN (US)
(72) Inventors: **Thad Eads, Urbana, IN (US); Celine**
Kwok Garland, Zionsville, IN (US)
(73) Assignee: **DELTA FAUCET COMPANY,**
Indianapolis, IN (US)

D867,522 S * 11/2019 Tentler D23/213
D867,523 S * 11/2019 Tentler D23/213
D867,524 S * 11/2019 Tentler D23/213
D867,525 S * 11/2019 Eads D23/213
D867,526 S * 11/2019 Garland D23/213
D867,527 S * 11/2019 Eads D23/213
D870,234 S * 12/2019 Judge D23/213
D870,845 S * 12/2019 Eads D23/213
D881,341 S * 4/2020 Garland D23/213
D884,831 S * 5/2020 Liang D23/213
D889,600 S * 7/2020 Zhang D23/213
D906,480 S * 12/2020 Zhang D23/226

(**) Term: **15 Years**

(Continued)

(21) Appl. No.: **29/770,650**

OTHER PUBLICATIONS

(22) Filed: **Feb. 15, 2021**

Kitchen Sink Faucet Head 2-Function Pull-Out Spray Head, Jun. 6, 2018, amazon.com, Nov. 2, 2021, URL: <https://www.amazon.com/dp/B07FF8771X> (Year: 2018).*

(51) **LOC (13) Cl.** **23-01**

(Continued)

(52) **U.S. Cl.**
USPC **D23/213**

(58) **Field of Classification Search**
USPC D23/213, 214, 215, 221–222, 223, 224,
D23/226, 229, 230
CPC A61H 9/0021; A61H 33/00; B05B 1/00;
B05B 1/14; B05B 1/185; B05B 1/08;
B05B 1/02; B05B 1/26; B05B 12/002;
B05B 1/18; B05B 9/01
See application file for complete search history.

Primary Examiner — Jack Reickel
Assistant Examiner — Keith J Wilson
(74) *Attorney, Agent, or Firm* — Nirav D. Parikh; Edgar
A. Zarins

(57) **CLAIM**

The ornamental design for a faucet sprayhead, as shown and described.

(56) **References Cited**

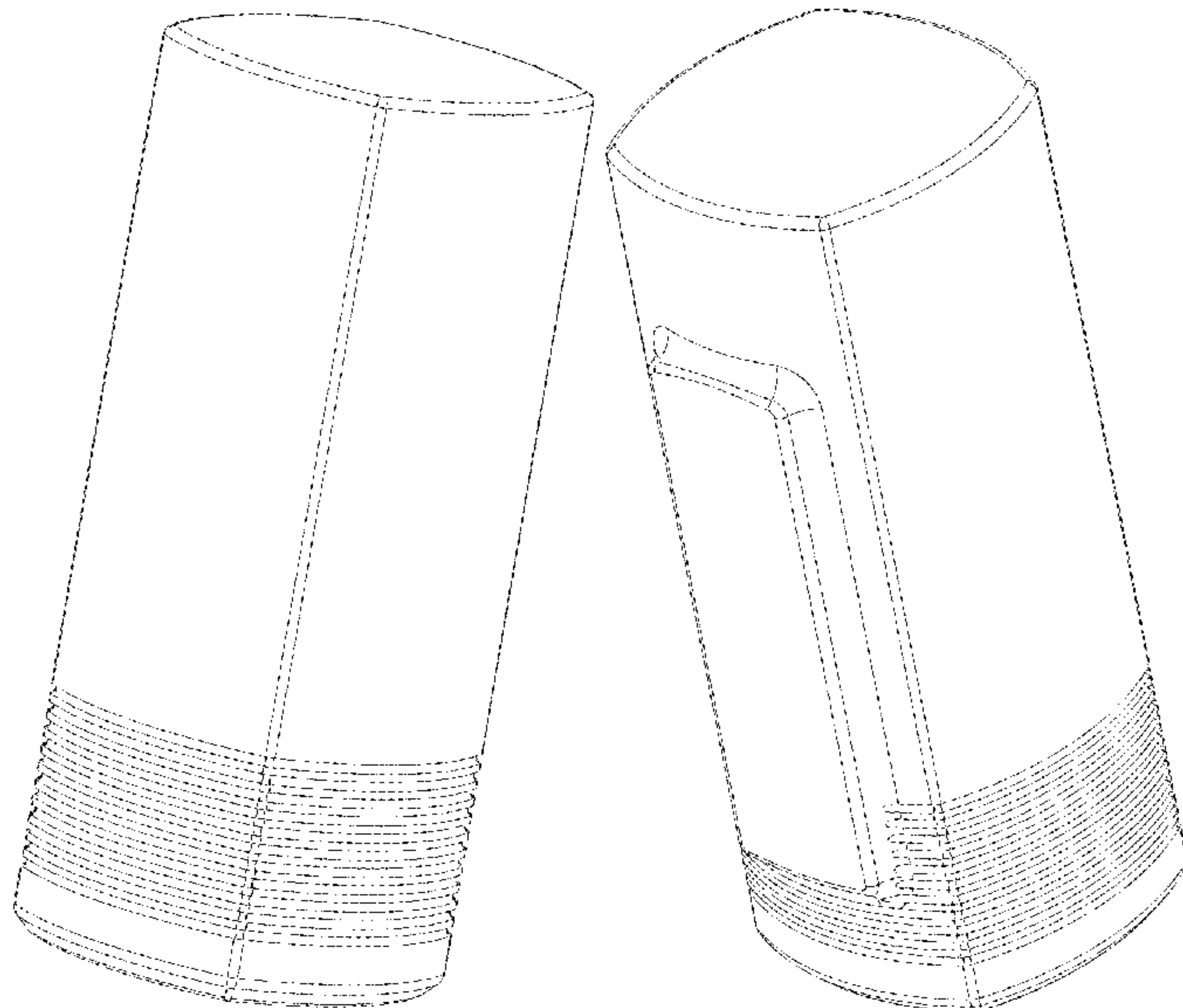
DESCRIPTION

U.S. PATENT DOCUMENTS

D487,135 S * 2/2004 Lord D23/245
D580,022 S * 11/2008 Gilbert D23/255
D580,023 S * 11/2008 Gilbert D23/255
D583,015 S * 12/2008 Soriano D23/249
D754,301 S * 4/2016 Bahler D23/255
D758,552 S * 6/2016 Rexach D23/255
D797,257 S * 9/2017 Potter D23/255
D802,091 S * 11/2017 Bahler D23/226
D803,361 S * 11/2017 Downey D23/257
D842,430 S * 3/2019 Huang D23/213
D866,707 S * 11/2019 Eads D23/213
D866,708 S * 11/2019 Bahler D23/213

FIG. 1 is a front perspective view of a faucet sprayhead showing our new design;
FIG. 2 is a rear perspective view thereof;
FIG. 3 is a front elevational view thereof;
FIG. 4 is a left side view thereof;
FIG. 5 is a rear view thereof;
FIG. 6 is a right side view thereof;
FIG. 7 is a top plan view thereof; and,
FIG. 8 is a bottom view thereof.

1 Claim, 4 Drawing Sheets



(56)

References Cited

U.S. PATENT DOCUMENTS

D908,842	S *	1/2021	Johnson	D23/226
D910,146	S *	2/2021	Zhang	D23/225
D939,048	S *	12/2021	Fritz	D23/226
D939,050	S *	12/2021	Stoler	D23/226
D943,711	S *	2/2022	Ye	D23/226
D946,112	S *	3/2022	Elser	D23/213
D947,321	S *	3/2022	Stoler	D23/226
D947,322	S *	3/2022	Spangler	D23/226
2007/0252022	A1 *	11/2007	Benstead	B05B 1/3026 239/590.5
2016/0136659	A1 *	5/2016	Erickson	F16K 11/20 239/443

OTHER PUBLICATIONS

Weirun Kitchen Faucet Pull-Out Spray Head Replacement, Aug. 1, 2017, amazon.com, Nov. 2, 2021, URL: <https://www.amazon.com/Weirun-Kitchen-Pull-Out-Replacement-Brushed/dp/B074FY5B6C> (Year: 2017).*

Kitchen Faucet Head, Angle Simple Replacement Sprayer Nozzle, Aug. 22, 2020, amazon.com, Nov. 2, 2021, URL: <https://www.amazon.com/Kitchen-Faucet-Simple-Replacement-Sprayer/dp/B08YYV2G2Y> (Year: 2020).*

Kitchen Faucet Pull Down Sprayer, Faucet Sprayer Head, Dec. 14, 2020, amazon.com, May 5, 2022, URL: <https://www.amazon.com/dp/B08NJZZT6D/> (Year: 2020).*

* cited by examiner

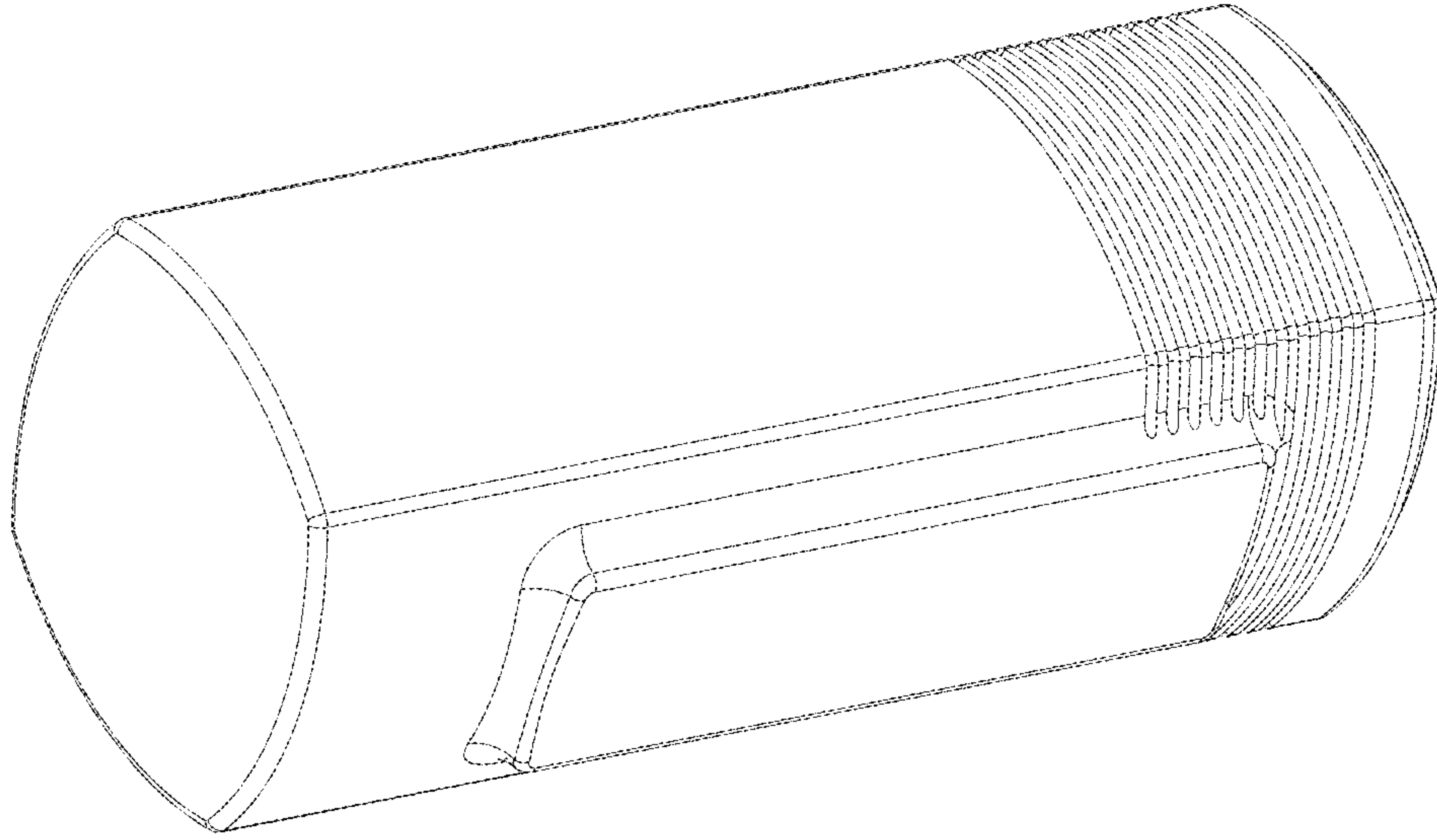


FIG - 2

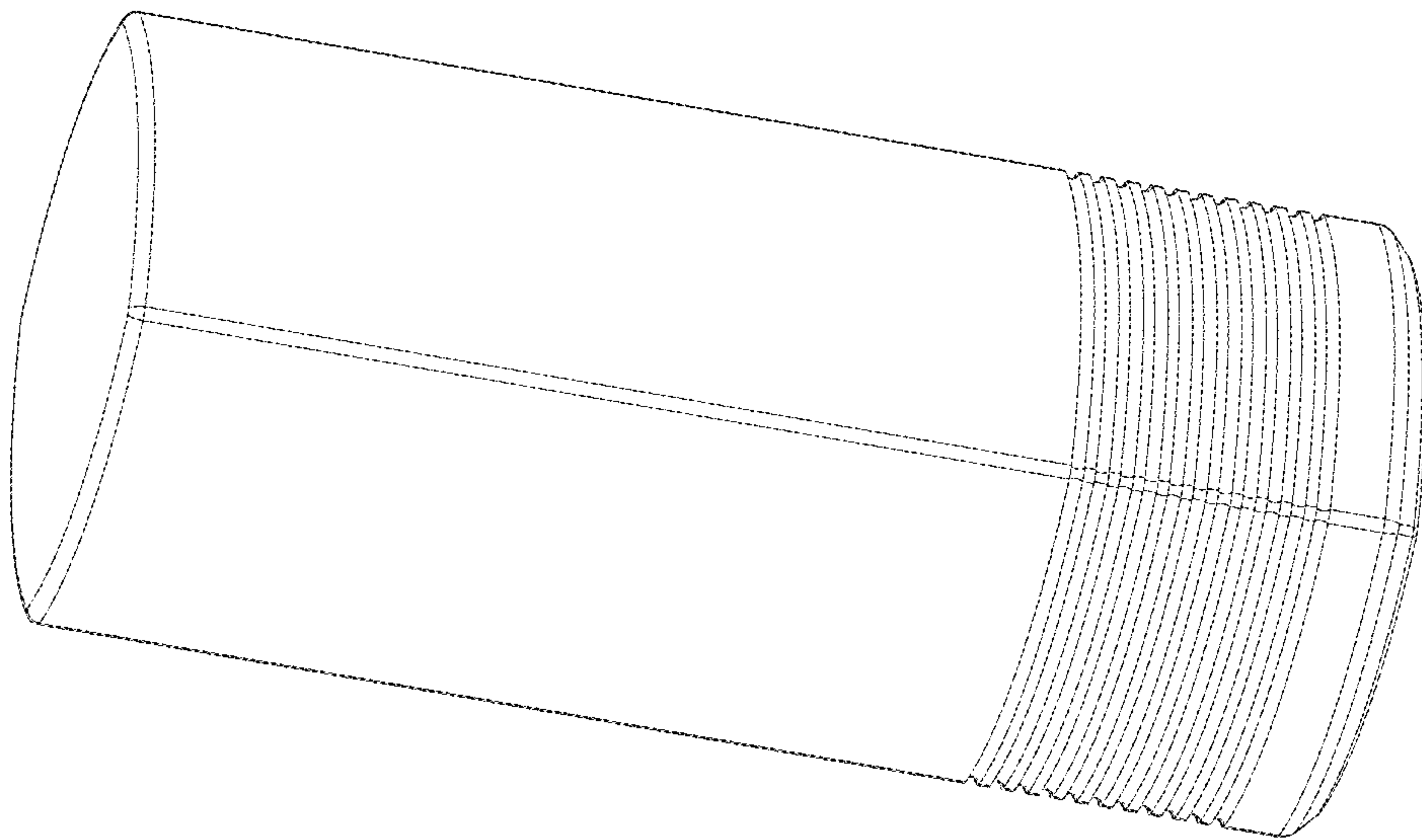


FIG - 1

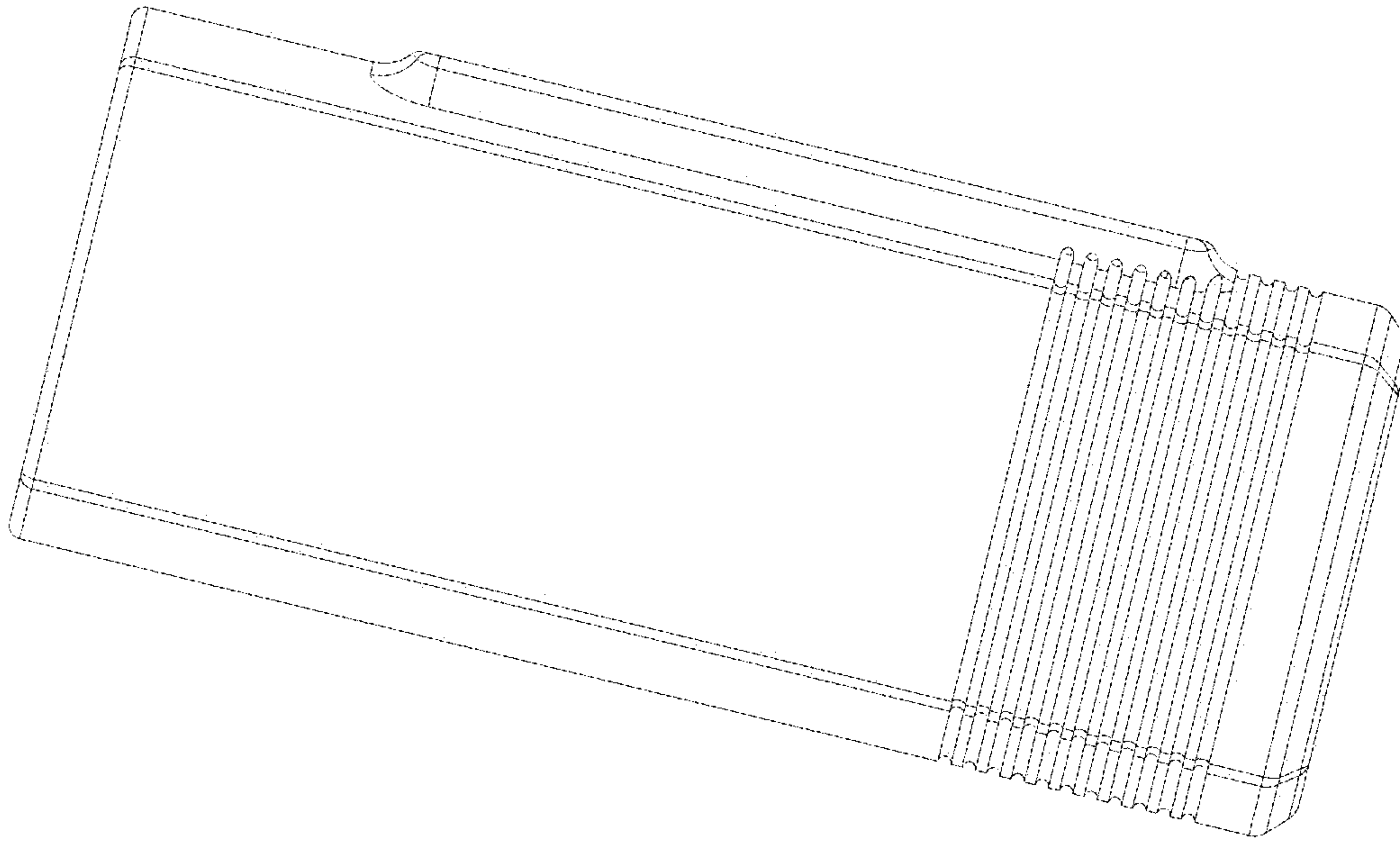


FIG - 4

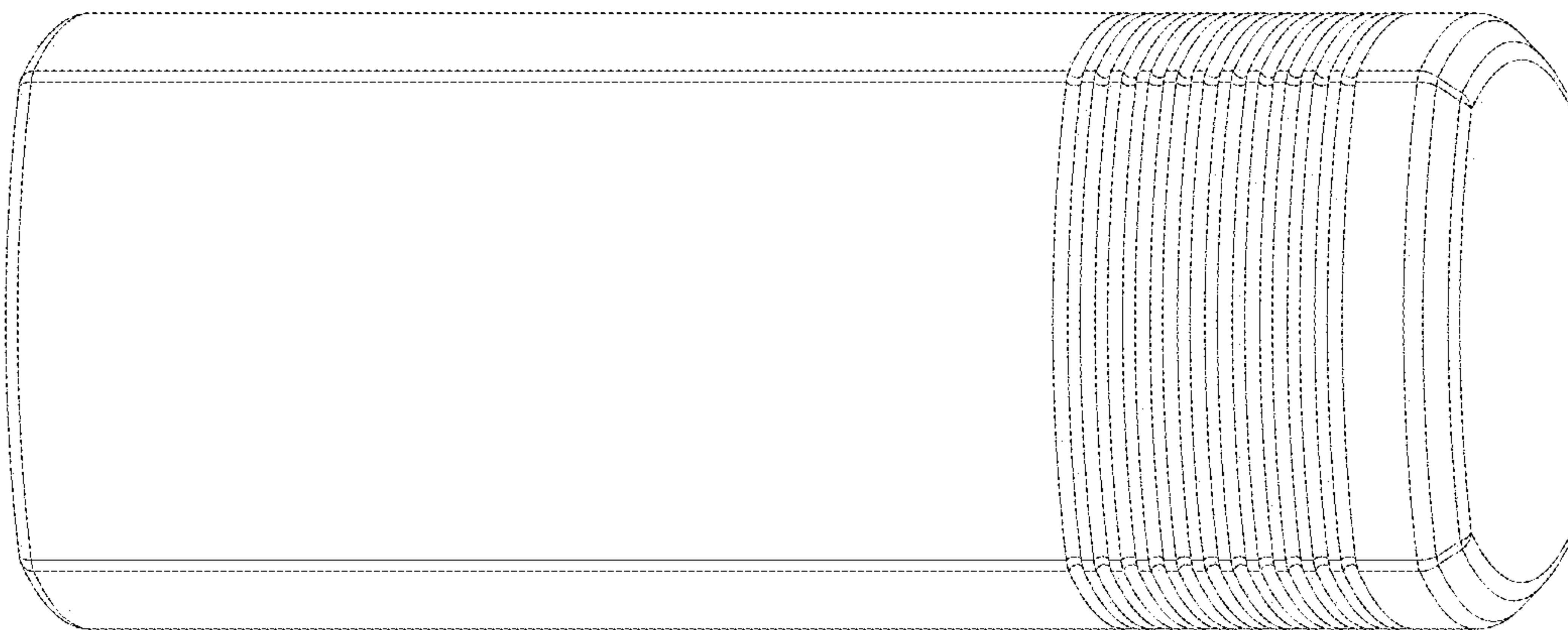


FIG - 3

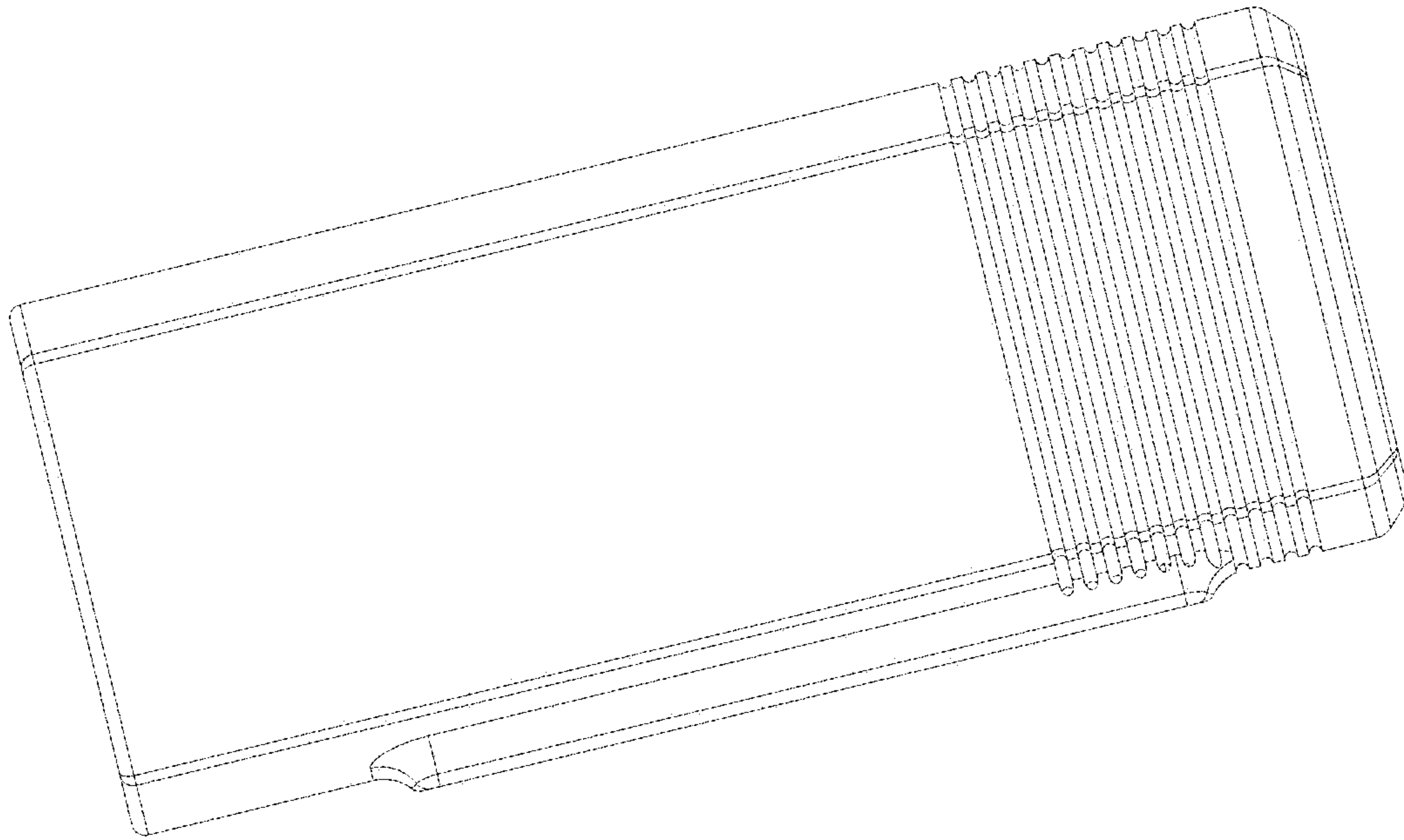


FIG - 6

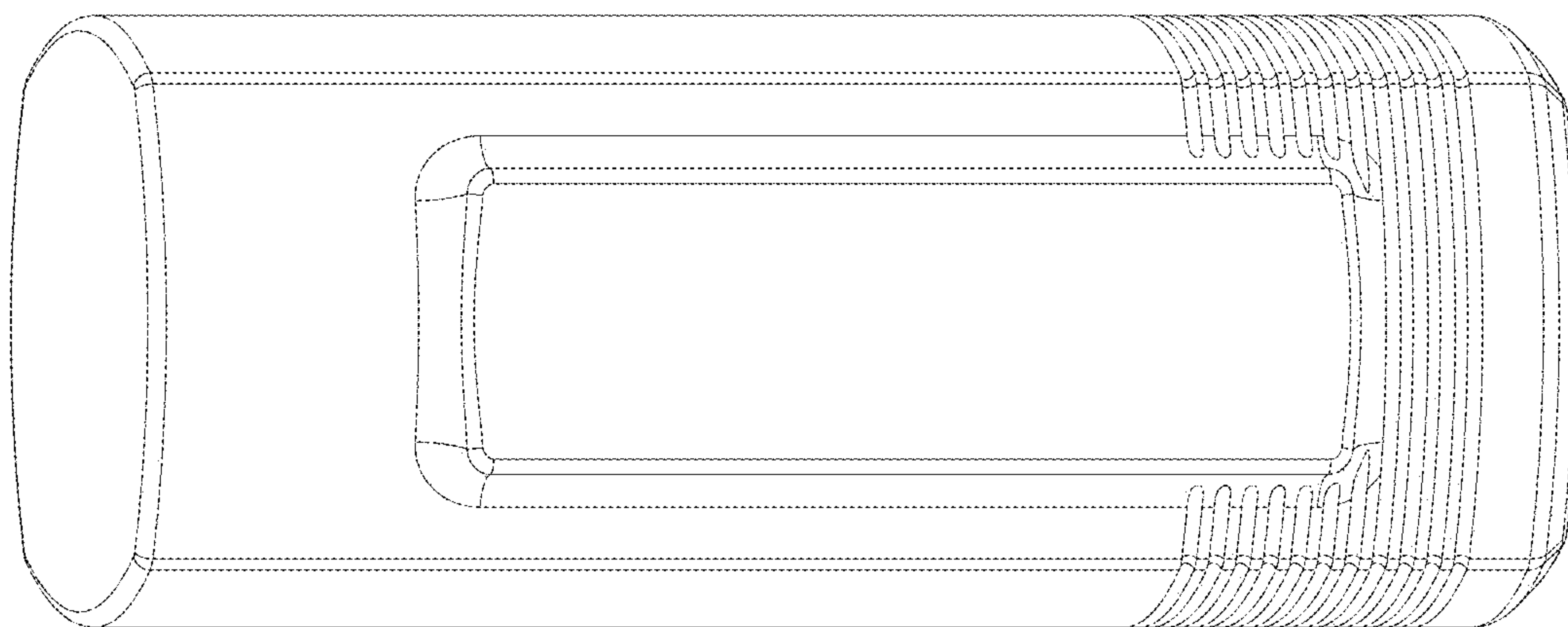


FIG - 5

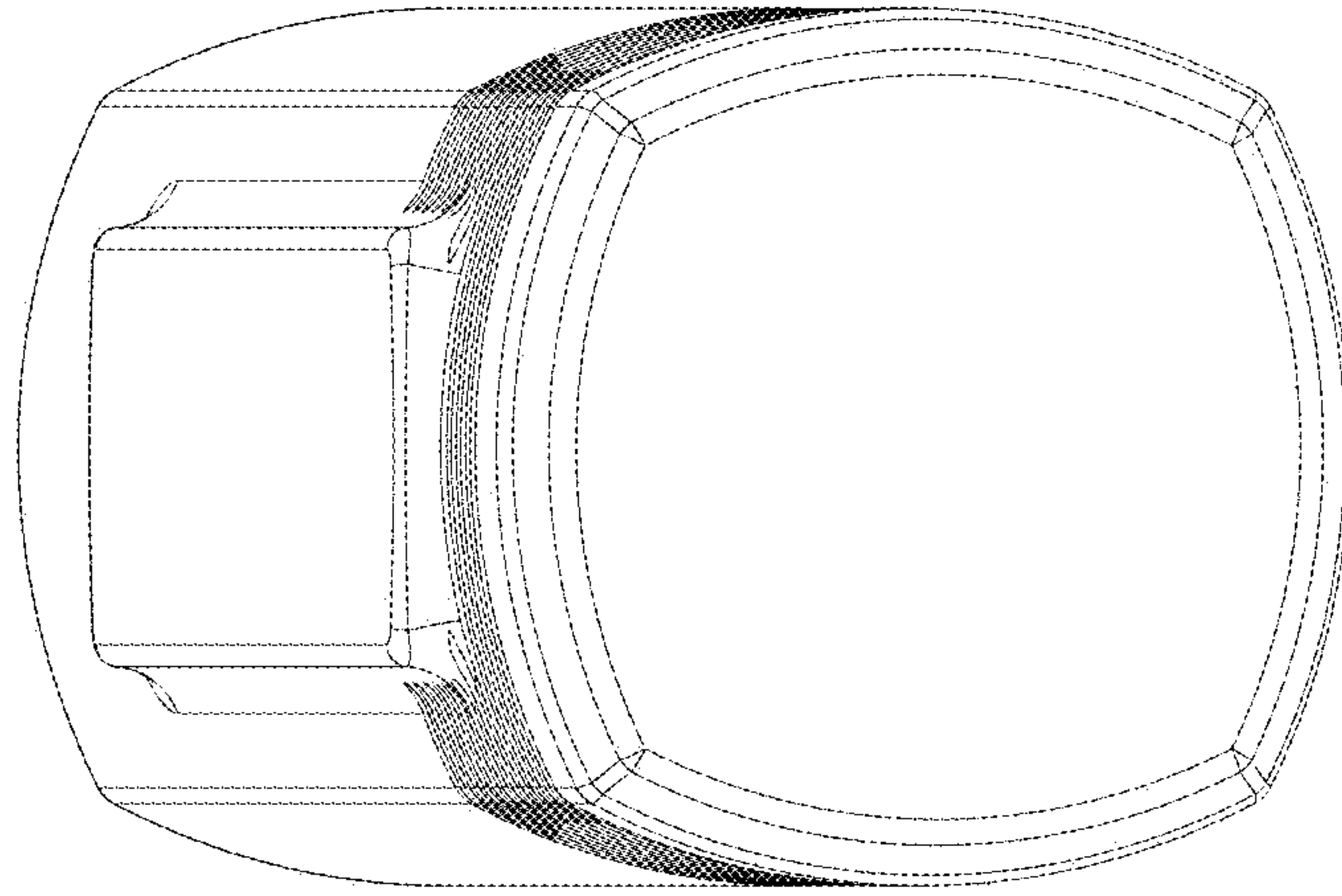


FIG - 8

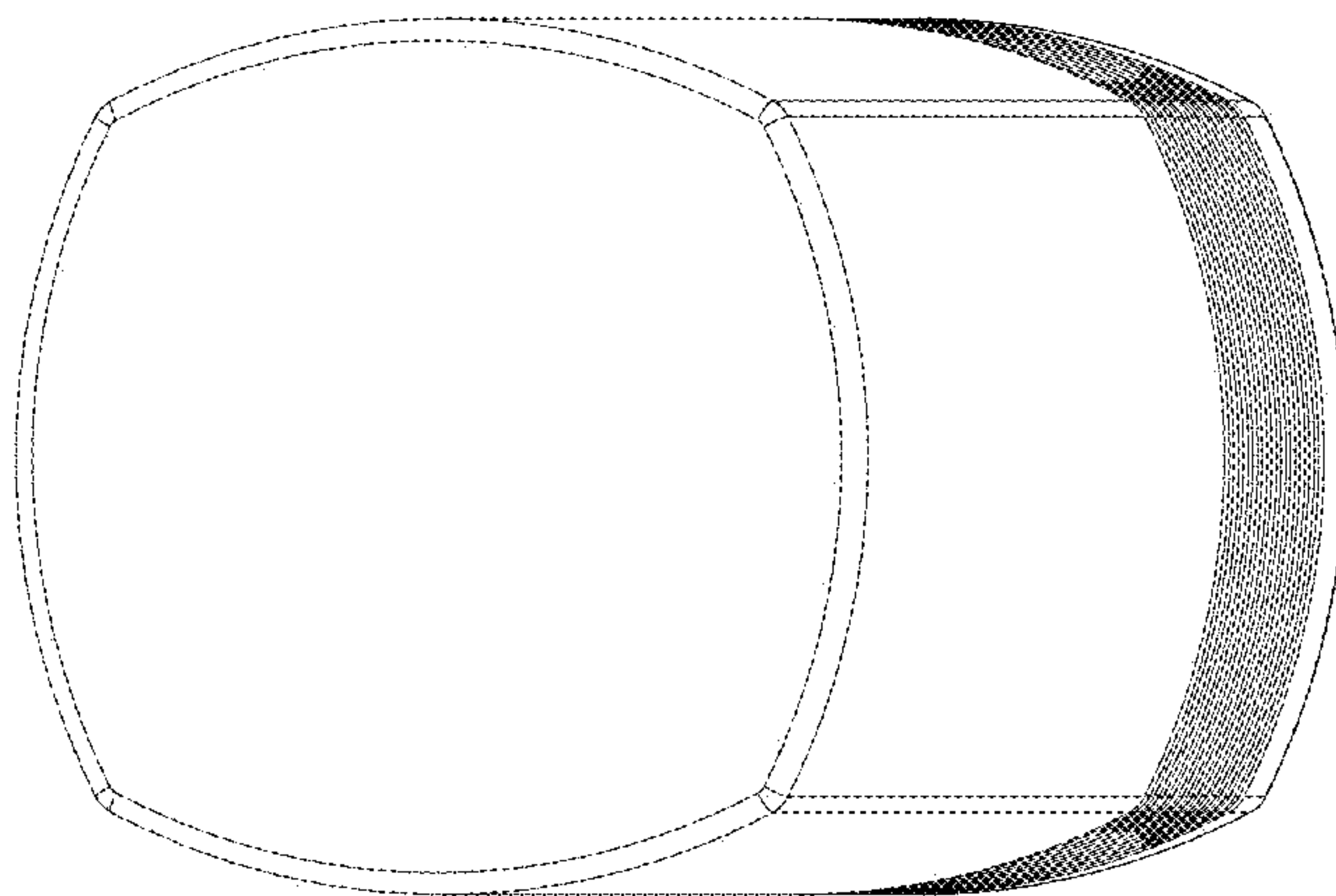


FIG - 7