



US00D960305S

(12) **United States Design Patent**  
**Dougan et al.**

(10) **Patent No.:** **US D960,305 S**

(45) **Date of Patent:** **\*\* Aug. 9, 2022**

(54) **SPRINKLER**

D929,504 S \* 8/2021 Weisman ..... D21/483  
D930,283 S \* 9/2021 Baikie ..... D30/160  
D931,983 S \* 9/2021 Engler ..... D23/222

(71) Applicant: **SDS Asia Limited, BVI #1748971,**  
Hong Kong (CN)

(72) Inventors: **Kerry Dougan,** Diamond Point, NY  
(US); **Matt Famigletti,** East Hartford,  
CT (US)

(73) Assignee: **SDS ASIA LIMITED, BVI #1748971,**  
Central Hong Kong (CN)

(\*\*) Term: **15 Years**

(21) Appl. No.: **29/751,598**

(22) Filed: **Sep. 22, 2020**

(51) **LOC (13) Cl.** ..... **23-01**

(52) **U.S. Cl.**  
USPC ..... **D23/213**

(58) **Field of Classification Search**  
USPC ..... D23/213, 214, 215, 222, 223, 224, 226,  
D23/229, 230, 256; D21/619  
CPC ..... A61H 9/0021; A61H 33/00; B05B 1/00;  
B05B 1/14; B05B 1/185; B05B 1/08;  
B05B 1/02; B05B 1/26; B05B 12/002;  
B05B 1/18; B05B 9/01

See application file for complete search history.

(56) **References Cited**

**U.S. PATENT DOCUMENTS**

D328,620 S \* 8/1992 Maple ..... D21/483  
D631,134 S \* 1/2011 German ..... D23/234  
D844,115 S \* 3/2019 Burton ..... D23/256  
D847,948 S \* 5/2019 Goerd ..... D23/215  
D852,331 S \* 6/2019 Burton ..... D23/256  
D852,332 S \* 6/2019 Burton ..... D23/256  
D862,960 S \* 10/2019 Bowling ..... D7/301  
D929,503 S \* 8/2021 Weisman ..... D21/483

**OTHER PUBLICATIONS**

Fire Hydrant Drink Dispenser, Dec. 13, 2015, Amazon.com, Jul. 29,  
2021.URL: <https://www.amazon.com/Fun-Express-Dispenser-Birthday-Drinkware/dp/B00TU75HFW> (Year: 2015).\*

Matty's Toy Stop Henry The Hydrant Water Sprinkler for Kids,  
Aug. 25, 2018, Amazon.com, Jul. 29, 2021, URL: <https://www.amazon.com/dp/B07DF37FBK> (Year: 2018).\*

Fun Hydrant Sprinkler, Jan. 1, 1991, thisoldtoy.com, Jul. 29, 2021,URL:  
[http://www.thisoldtoy.com/l\\_fp\\_set/toy-pages/2000-2499/2026-funhydrantsprinkler.html](http://www.thisoldtoy.com/l_fp_set/toy-pages/2000-2499/2026-funhydrantsprinkler.html) (Year: 1991).\*

Kids Sprinkler Fire Hydrant, Attach Water Sprinkler, Sep. 10,  
2015,amazon.com, Jan. 5, 2022,URL: <https://www.amazon.com/Sprinkler-Hydrant-Attach-Backyard-Fun/dp/B003Q24GT0/> (Year: 2015).\*

(Continued)

*Primary Examiner* — Keith J Wilson

(74) *Attorney, Agent, or Firm* — Suiter Swantz pc llo

(57) **CLAIM**

The ornamental design for a sprinkler, as shown and described.

**DESCRIPTION**

FIG. 1 is a perspective view showing our new design;

FIG. 2 is a left side view thereof;

FIG. 3 is a right side view thereof

FIG. 4 is a rear elevation view thereof;

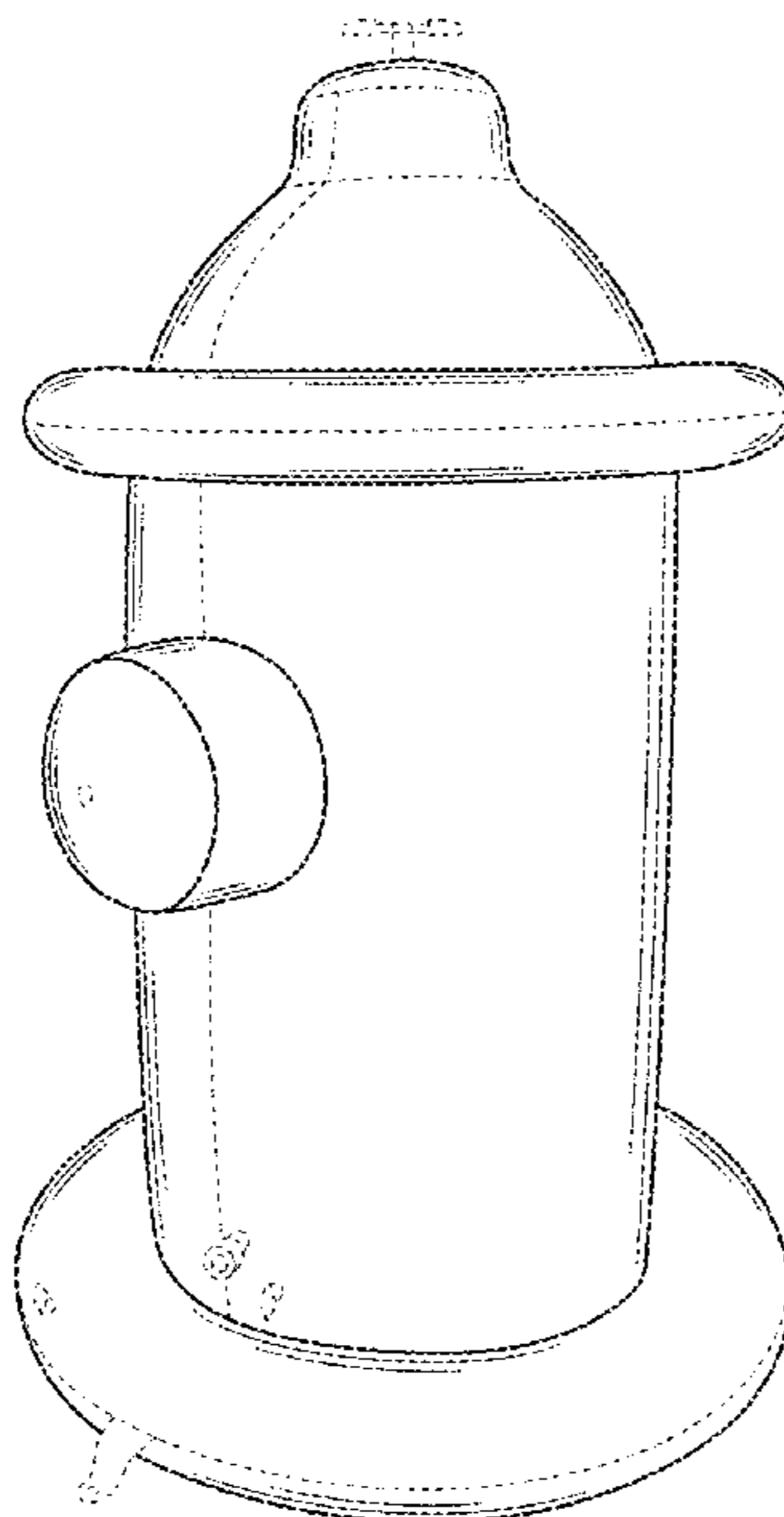
FIG. 5 is a front elevation view thereof;

FIG. 6 is a top plan view thereof; and,

FIG. 7 is a bottom plan elevation view thereof.

The broken lines showing anchor straps, seams, a top handle, and valves of FIGS. 1-7 form no part of the claimed design.

**1 Claim, 7 Drawing Sheets**



(56)

**References Cited**

OTHER PUBLICATIONS

Straw Fire Hydrant Cups with Lids—(Pack of 4) Reusable, Jan. 16, 2019, amazon.com, Jan. 5, 2022 <https://www.amazon.com/Straw-Fire-Hydrant-Cups-Lids/dp/B07MVM5RGR/> (Year: 2019).\*

\* cited by examiner

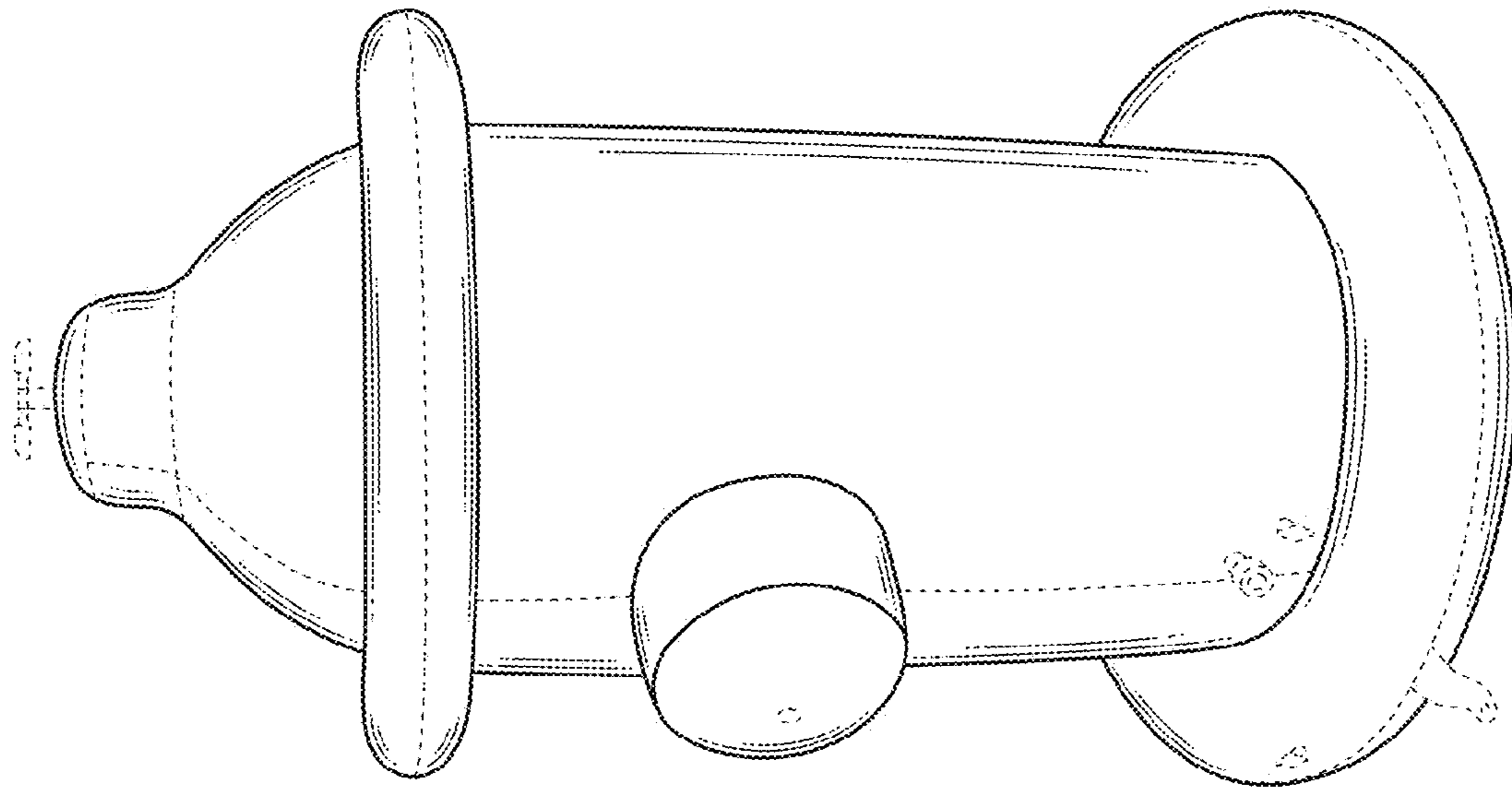


FIG. 1

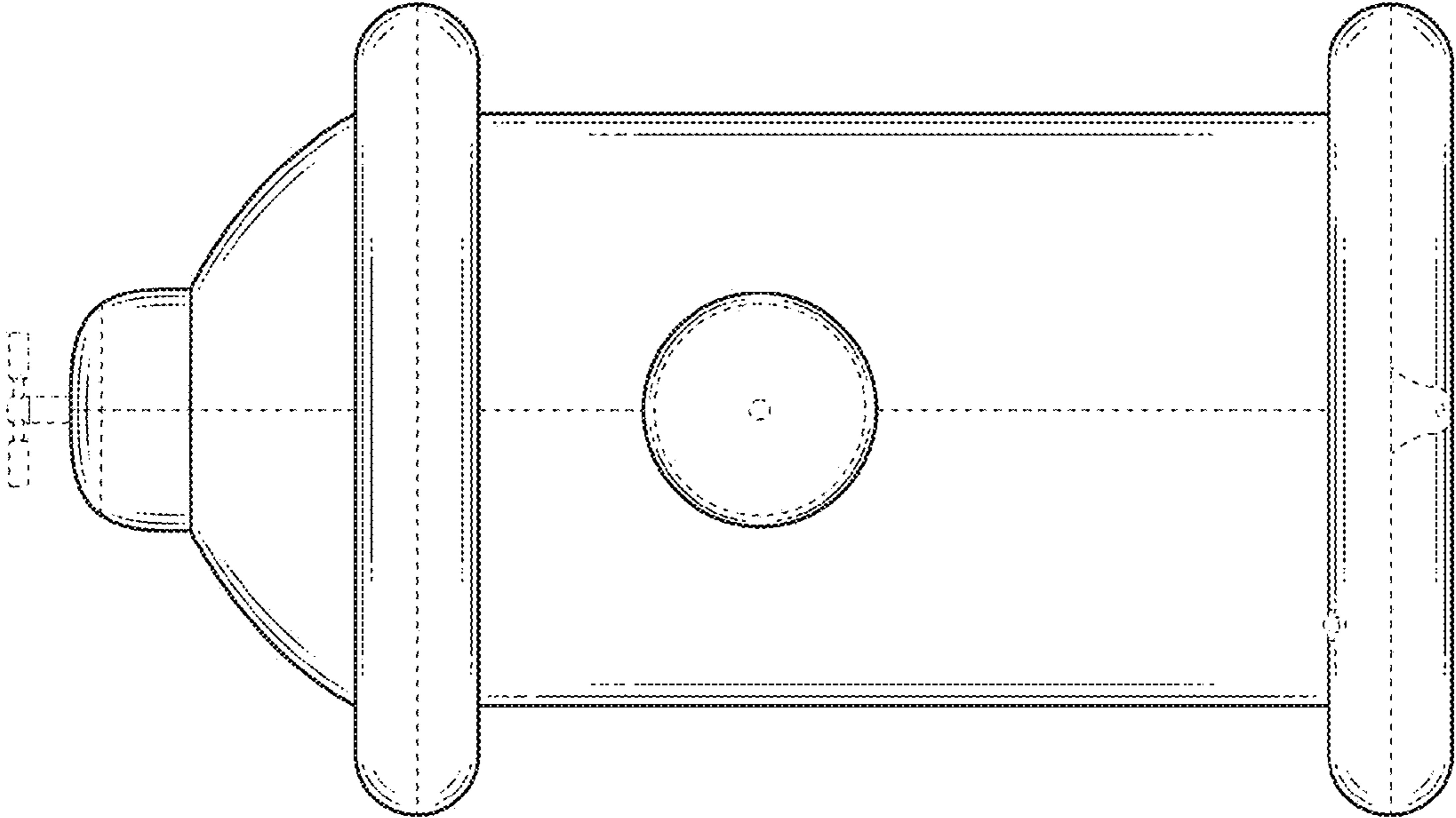


FIG.2

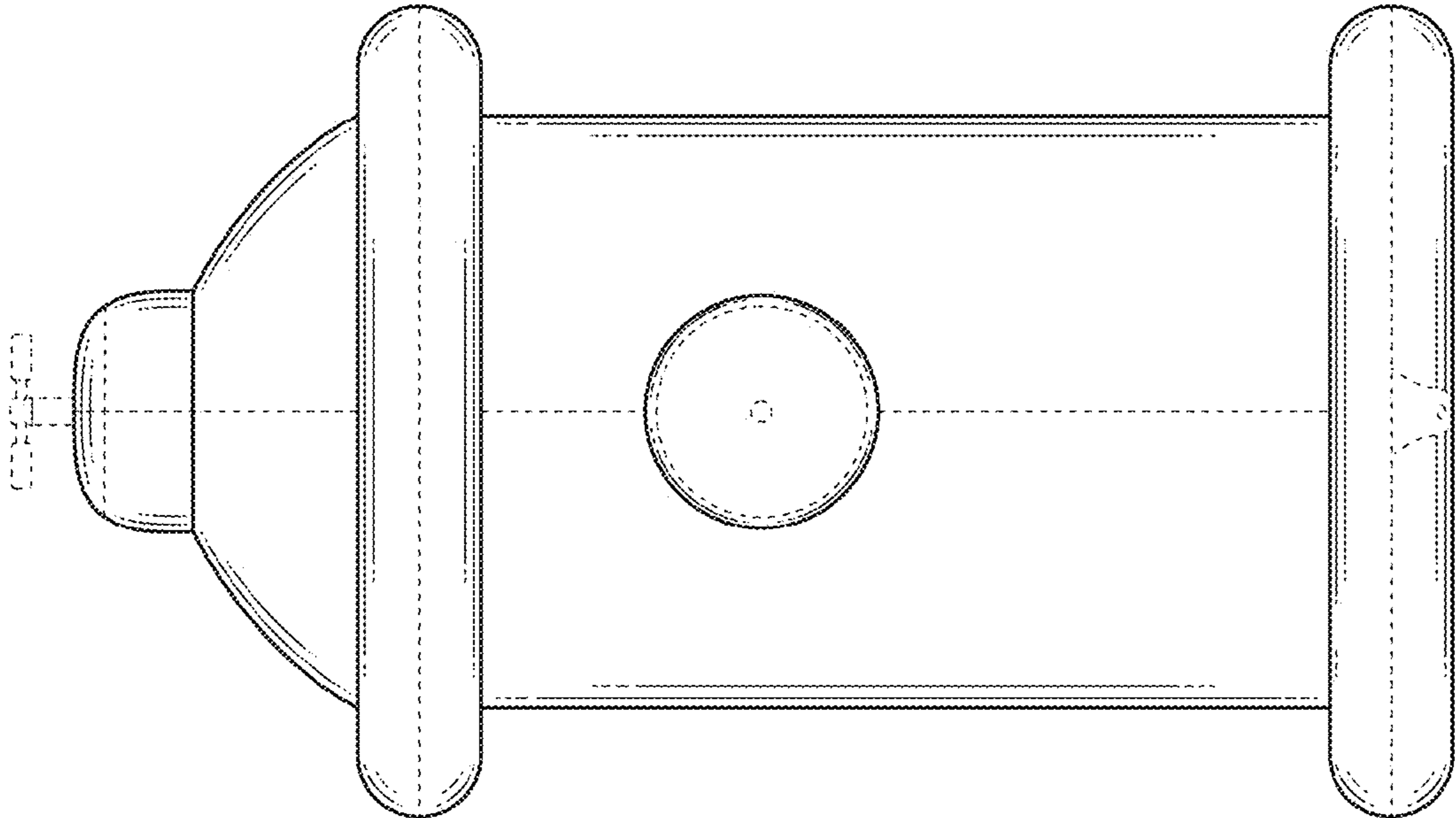


FIG. 3

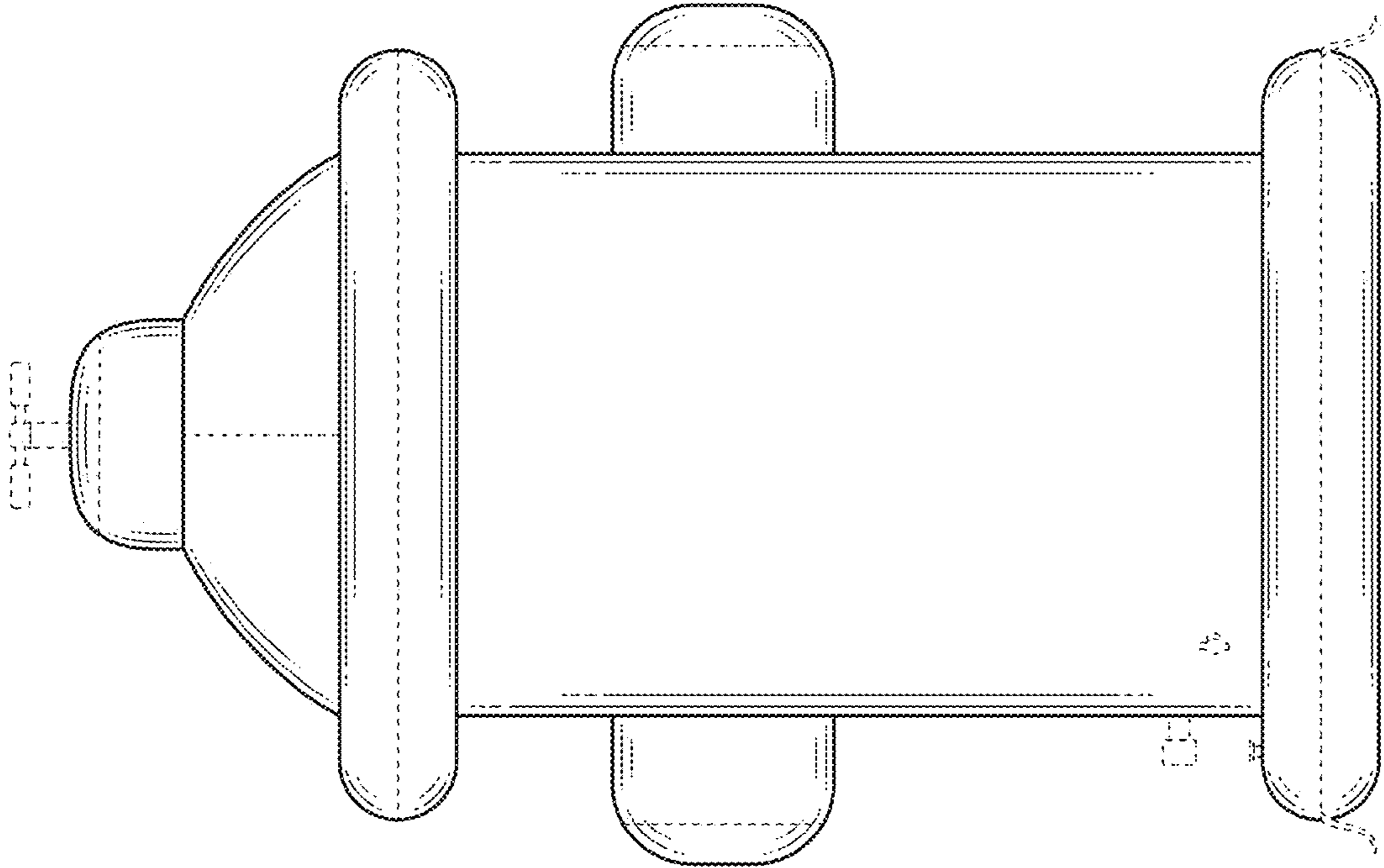


FIG.4

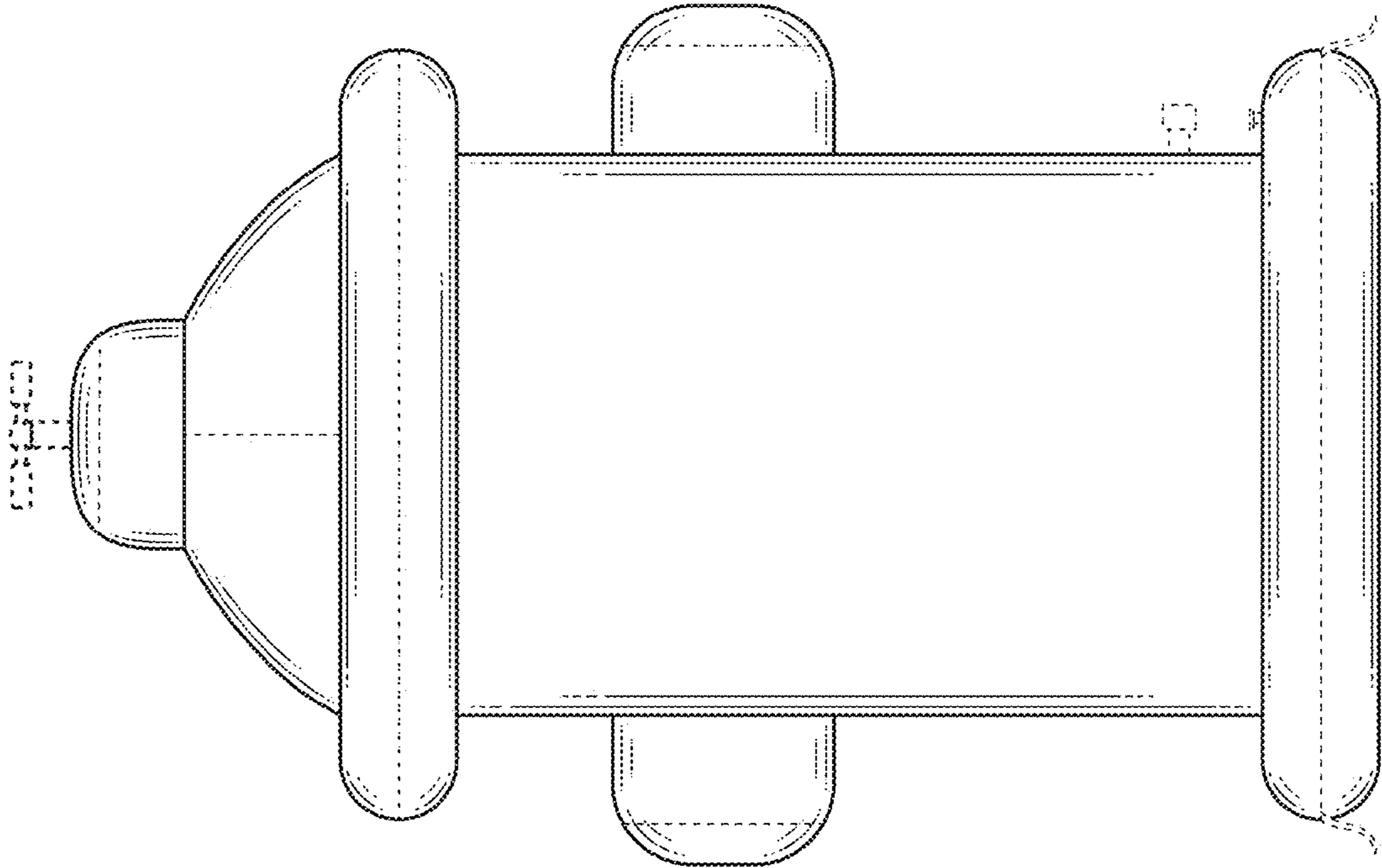


FIG. 5



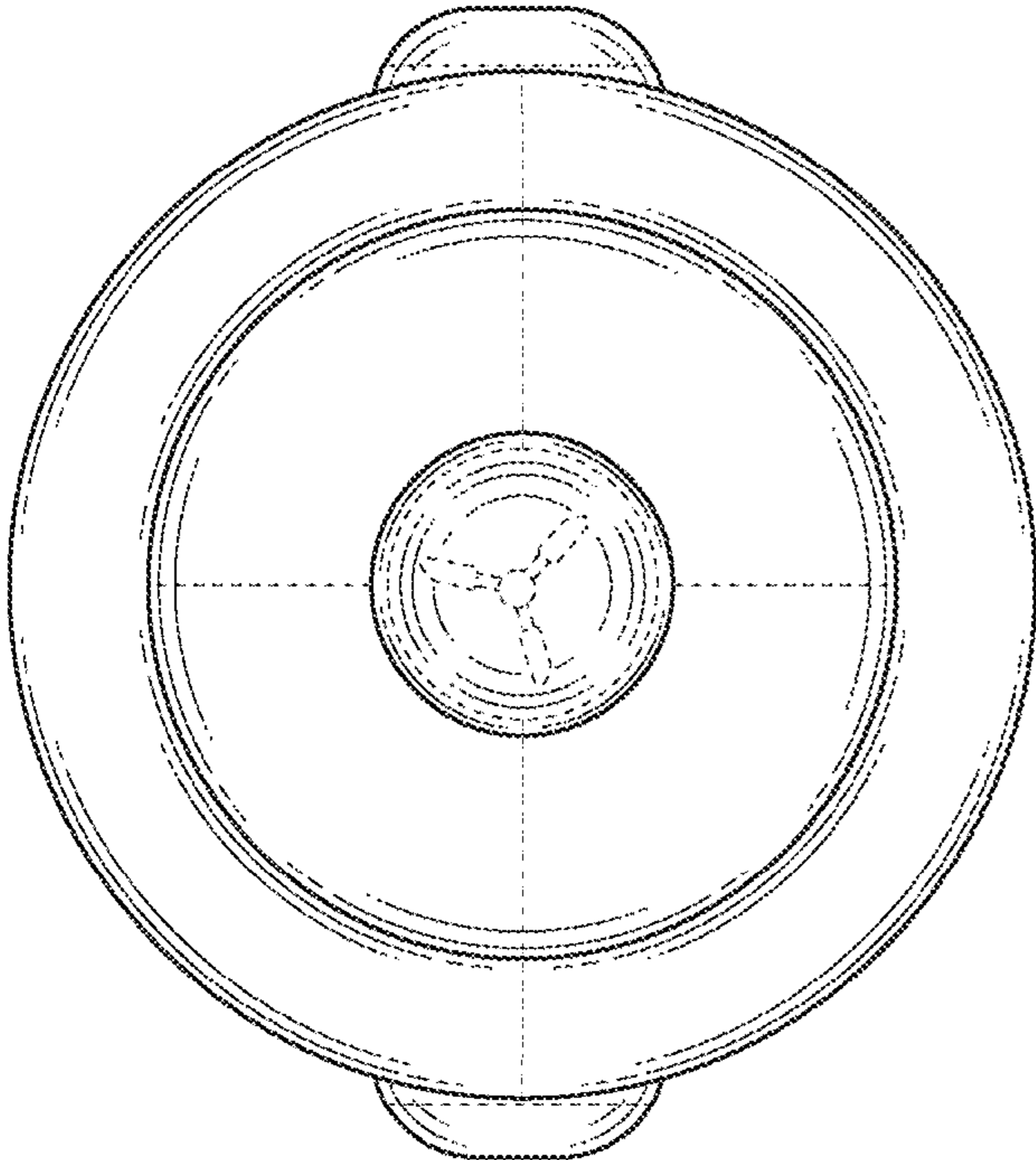


FIG.6



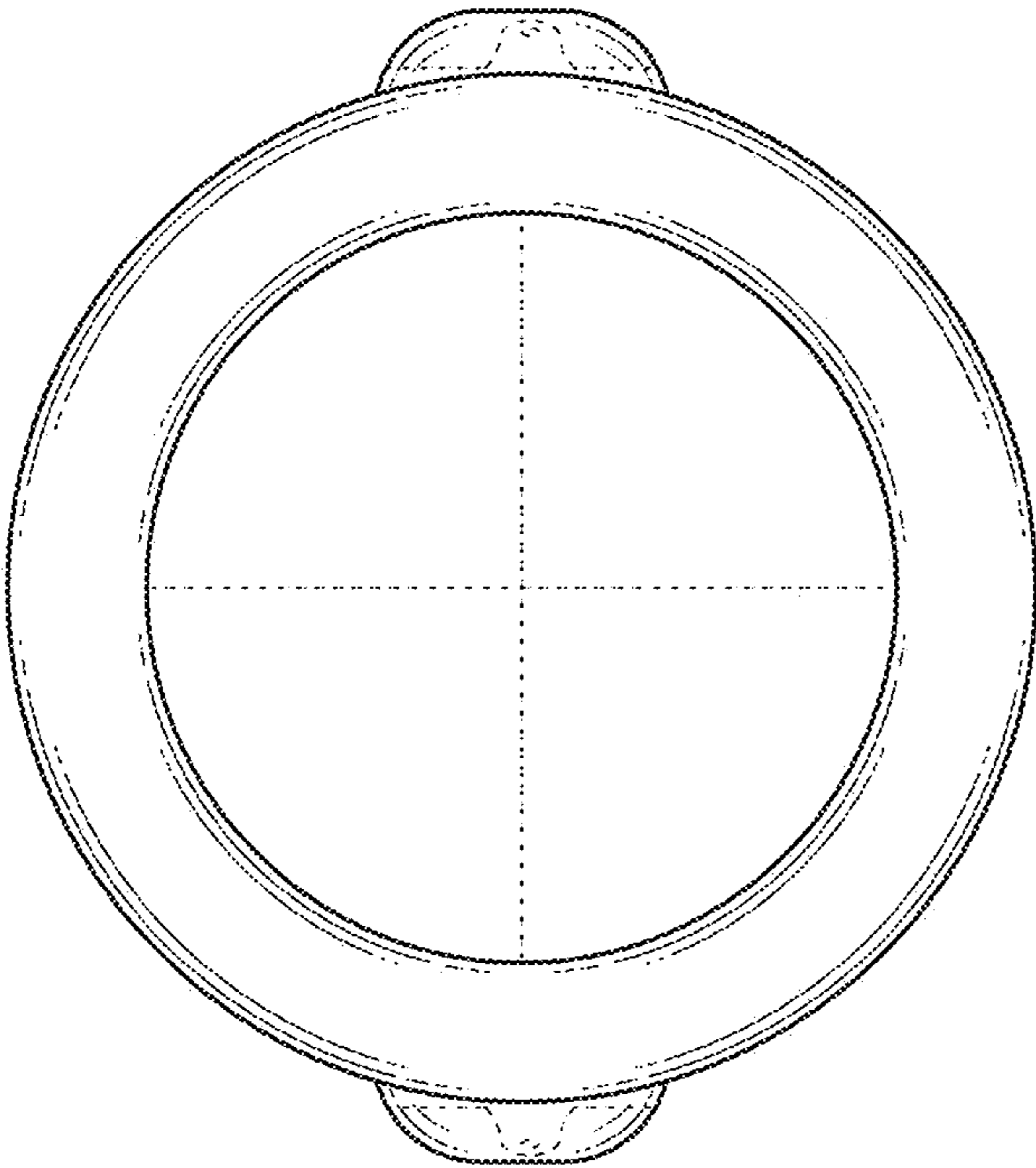


FIG. 7