

US00D960303S

(12) **United States Design Patent** (10) **Patent No.:** **US D960,303 S**
Beckman (45) **Date of Patent:** **** Aug. 9, 2022**

(54) **SHOWERHEAD**
(71) Applicant: **WATER PIK, INC.**, Fort Collins, CO
(US)
(72) Inventor: **Michael Carl Beckman**, Seattle, WA
(US)
(73) Assignee: **WATER PIK, INC.**, Fort Collins, CO
(US)

D557,764 S 12/2007 Schönherr et al.
D564,621 S 3/2008 Lammel et al.
D578,181 S * 10/2008 Pan D23/213
D581,014 S 11/2008 Quinn et al.
D583,012 S * 12/2008 McGilloway D23/213
D594,928 S * 6/2009 Beschi D23/213
D610,231 S 2/2010 Wu et al.
D617,419 S 6/2010 Lee

(Continued)

(**) Term: **15 Years**

TW D144394 12/2011
TW D161516 7/2014
TW D188532 2/2018

(21) Appl. No.: **29/739,712**

FOREIGN PATENT DOCUMENTS

(22) Filed: **Jun. 29, 2020**

OTHER PUBLICATIONS

(51) **LOC (13) Cl.** **23-01**

Waterpik High Pressure Hand Held Wand and Rain Shower Head Combo, Oct. 12, 2018, amazon.com, Dec. 16, 2021, URL: https://www.amazon.com/Waterpik-YHW-433E-SBW-383ME-BodyWand-Shower-Chrome/dp/B07JW54CS1 (Year: 2018).*

(52) **U.S. Cl.**
USPC **D23/213**

(58) **Field of Classification Search**
USPC D23/213, 214, 215, 223, 224, 226, 229,
D23/230

CPC A61H 9/0021; A61H 33/00; B05B 1/00;
B05B 1/14; B05B 1/185; B05B 1/08;
B05B 1/02; B05B 1/26; B05B 12/002;
B05B 1/18; B05B 9/01

See application file for complete search history.

(Continued)

Primary Examiner — Keith J Wilson
(74) *Attorney, Agent, or Firm* — Dorsey & Whitney LLP

(56) **References Cited**

(57) **CLAIM**

I claim the ornamental design for a showerhead, as shown and described.

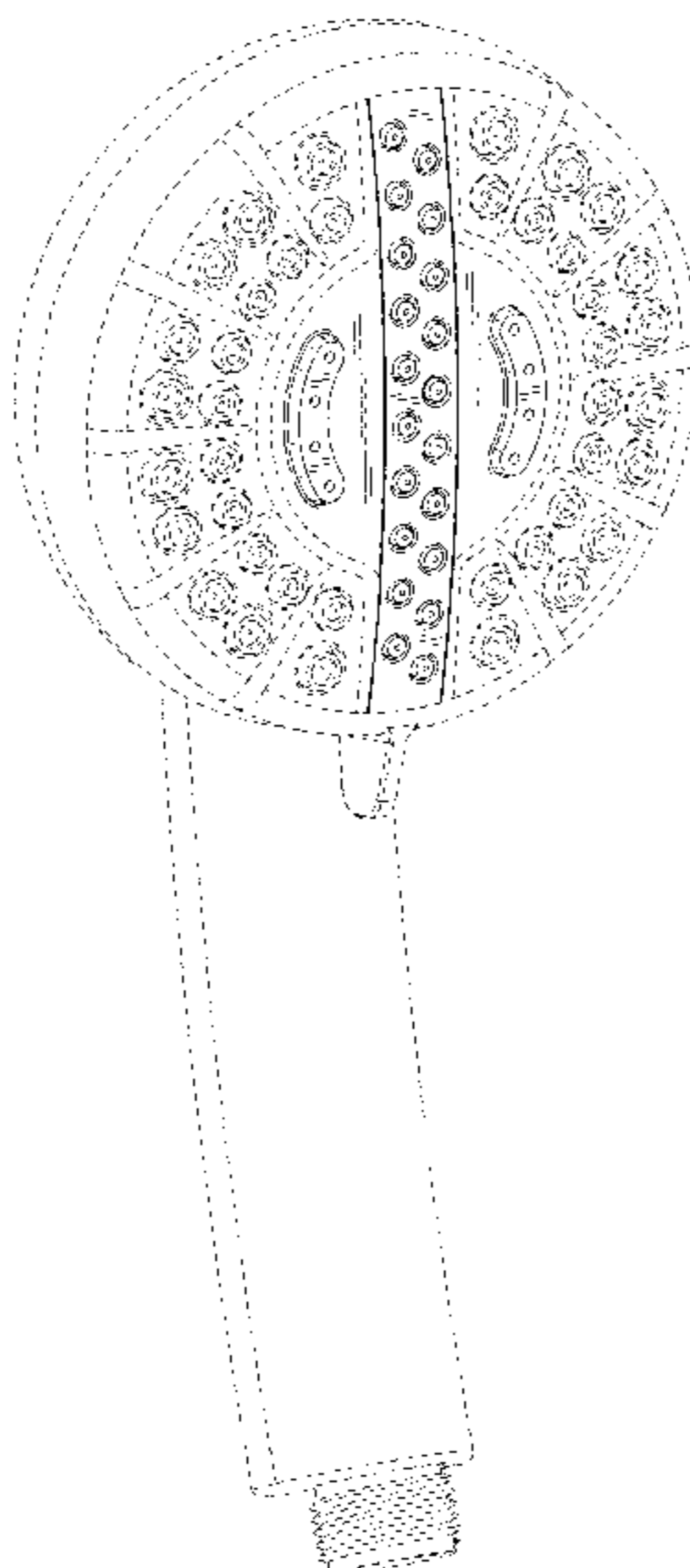
U.S. PATENT DOCUMENTS

DESCRIPTION

4,190,207 A 2/1980 Feinhold et al.
D268,359 S 3/1983 Klose
5,476,225 A 12/1995 Chan
5,690,282 A 11/1997 Guo
D432,627 S 10/2000 Tse
D510,123 S 9/2005 Tsai
D511,809 S 11/2005 Haug et al.
D525,341 S 7/2006 Bossini
D529,986 S * 10/2006 Chan D23/213
D530,391 S 10/2006 Tse
D531,262 S 10/2006 Tse
D552,211 S * 10/2007 Toyohara D23/213

FIG. 1 is a front isometric view of a showerhead.
FIG. 2 is a front elevation view thereof.
FIG. 3 is a rear elevation view thereof.
FIG. 4 is a right side elevation view thereof.
FIG. 5 is a left side elevation view thereof.
FIG. 6 is a top plan view thereof; and,
FIG. 7 is a bottom plan view thereof.
The broken lines illustrate portions of the showerhead that form no part of the claimed design.

1 Claim, 6 Drawing Sheets



(56)

References Cited

U.S. PATENT DOCUMENTS

D621,905 S 8/2010 Yoo et al.
 D633,174 S * 2/2011 Lee D23/213
 D652,106 S 1/2012 Yoo
 D654,983 S 2/2012 Schoenherr et al.
 D659,794 S 5/2012 Flowers et al.
 D668,743 S 10/2012 Kennedy et al.
 D669,156 S 10/2012 Schoenherr et al.
 D672,011 S 12/2012 Andrew et al.
 D680,619 S 4/2013 Zhadanov
 D681,776 S 5/2013 Cutler et al.
 D682,393 S 5/2013 Bossini et al.
 D694,361 S 11/2013 Schoenherr et al.
 D697,177 S 1/2014 Schoenherr et al.
 D707,330 S 6/2014 Schoenherr et al.
 D733,258 S 6/2015 Sandee
 D744,065 S 11/2015 Peterson et al.
 D744,611 S 12/2015 Quinn
 D744,612 S 12/2015 Peterson et al.
 D755,346 S 5/2016 Yan
 9,404,243 B2 8/2016 Cacka et al.
 D779,039 S 2/2017 Hanna et al.
 9,764,339 B2 9/2017 Yu

D803,351 S 11/2017 Ladwig et al.
 D811,524 S 2/2018 Bossini
 D832,975 S * 11/2018 Garuti D23/213
 D844,749 S 4/2019 Cocks et al.
 D847,302 S 4/2019 Cocks et al.
 D855,757 S * 8/2019 Cacka D23/213
 D877,293 S * 3/2020 Lin D23/213
 D886,946 S 6/2020 Ladwig et al.
 D895,766 S * 9/2020 Schoenherr D23/213
 D913,419 S * 3/2021 Ladwig D23/223
 D928,282 S * 8/2021 Rogers D23/213
 D928,283 S * 8/2021 Peterson D23/213
 2014/0367482 A1 12/2014 Cacka et al.
 2015/0211728 A1 7/2015 Zhadanov et al.
 2017/0297039 A1 10/2017 Cacka et al.

OTHER PUBLICATIONS

American Standard 1660506.002 Hand Shower, Polished Chrome, Jan. 4, 2012, amazon.com, Dec. 16, 2021, URL: <https://www.amazon.com/American-Standard-1660-506-002-Minimalist-Polished/dp/B006TIKY9E> (Year: 2012).*

* cited by examiner

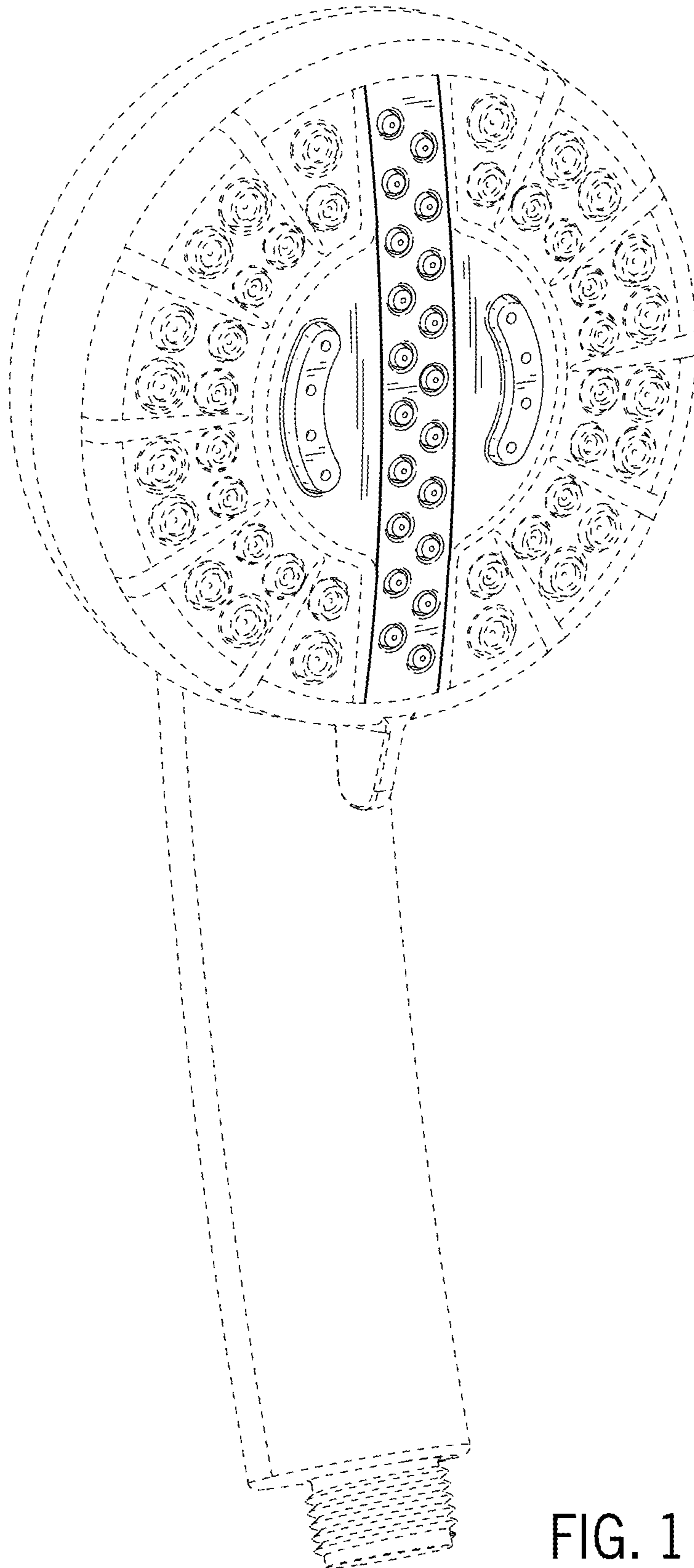


FIG. 1

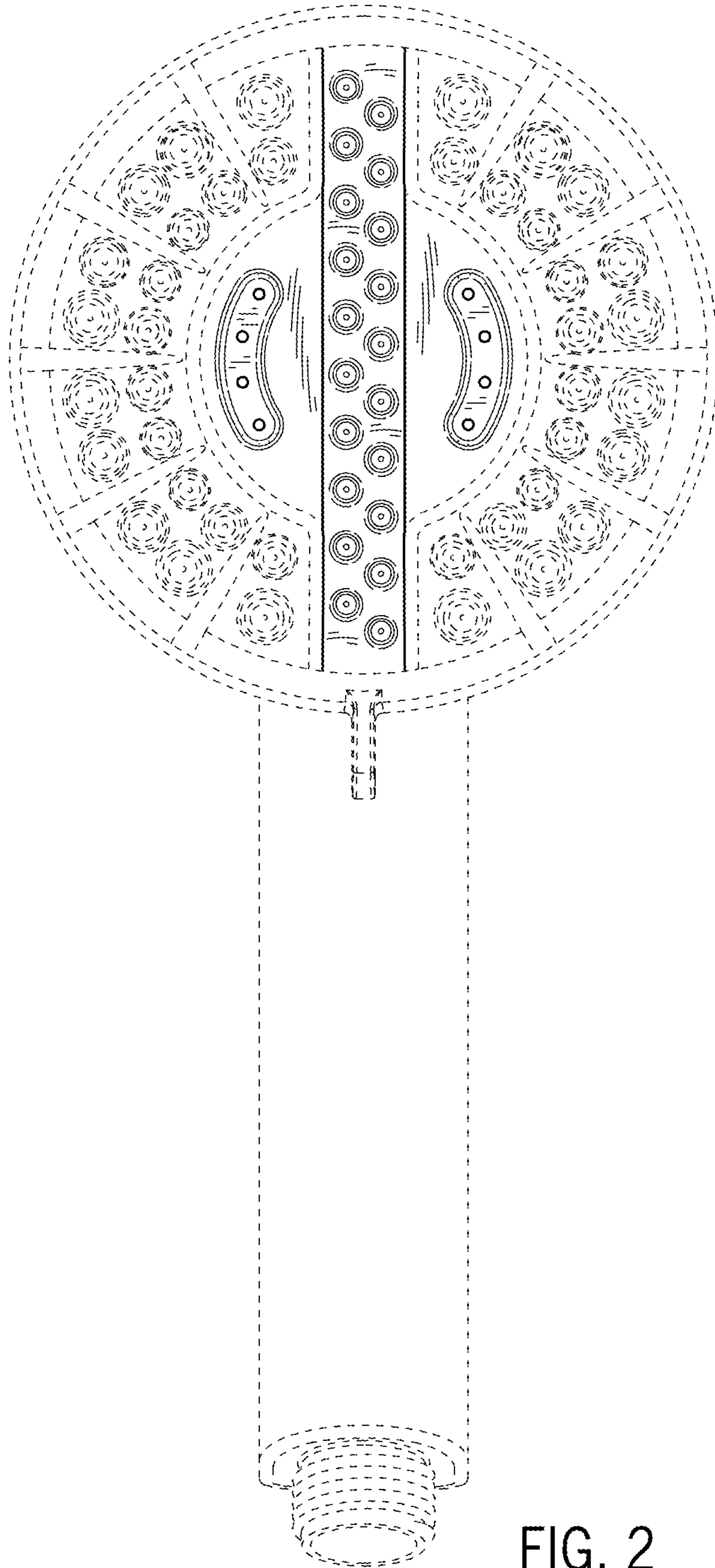


FIG. 2

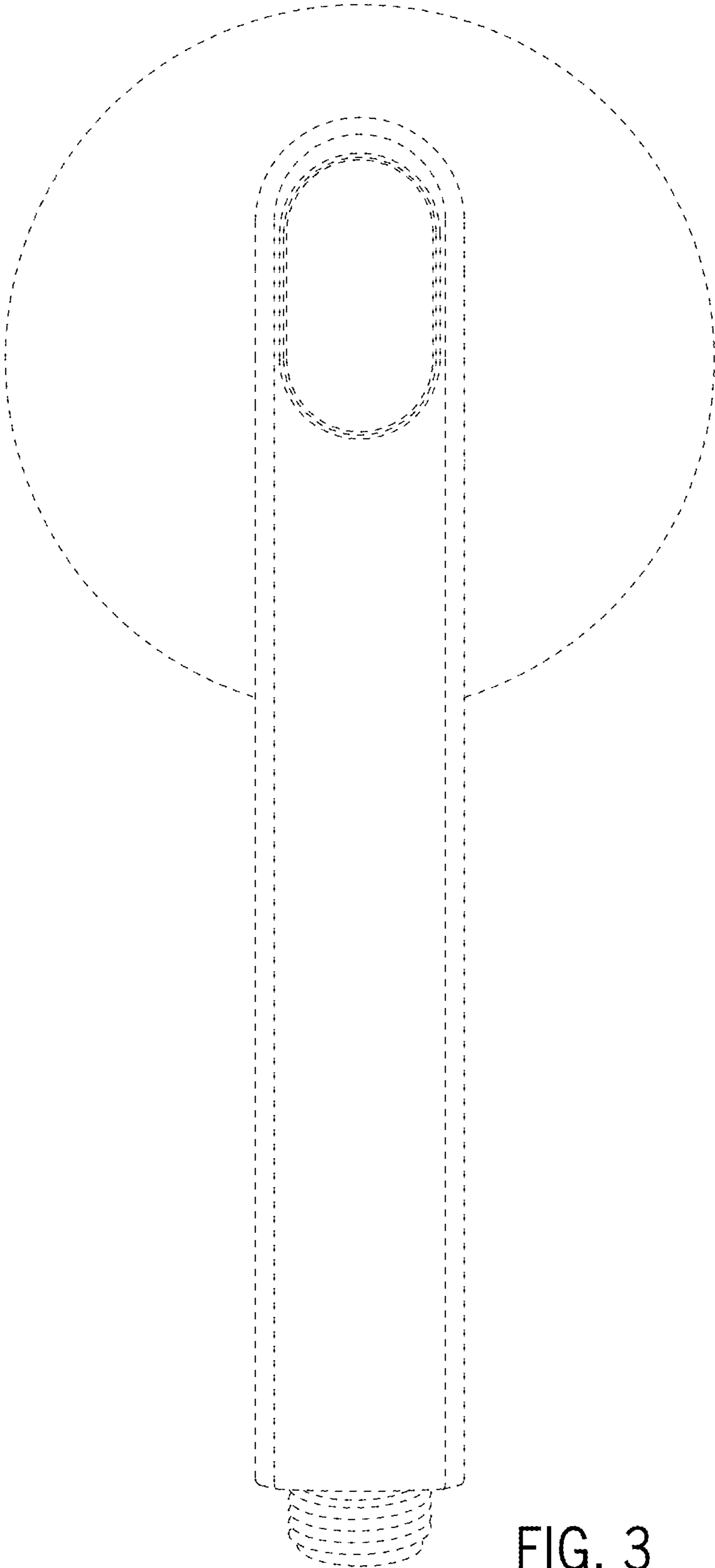


FIG. 3

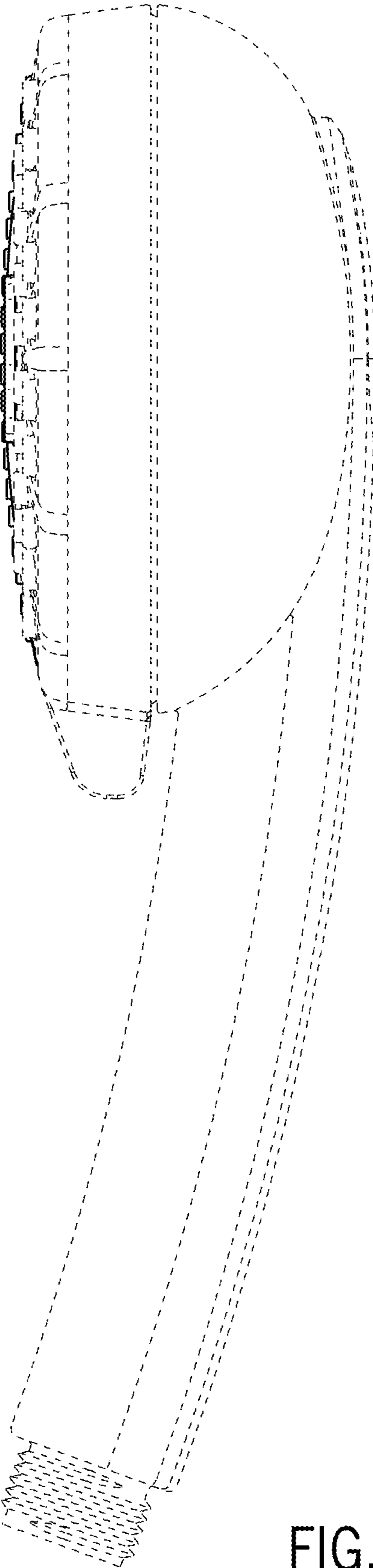


FIG. 4

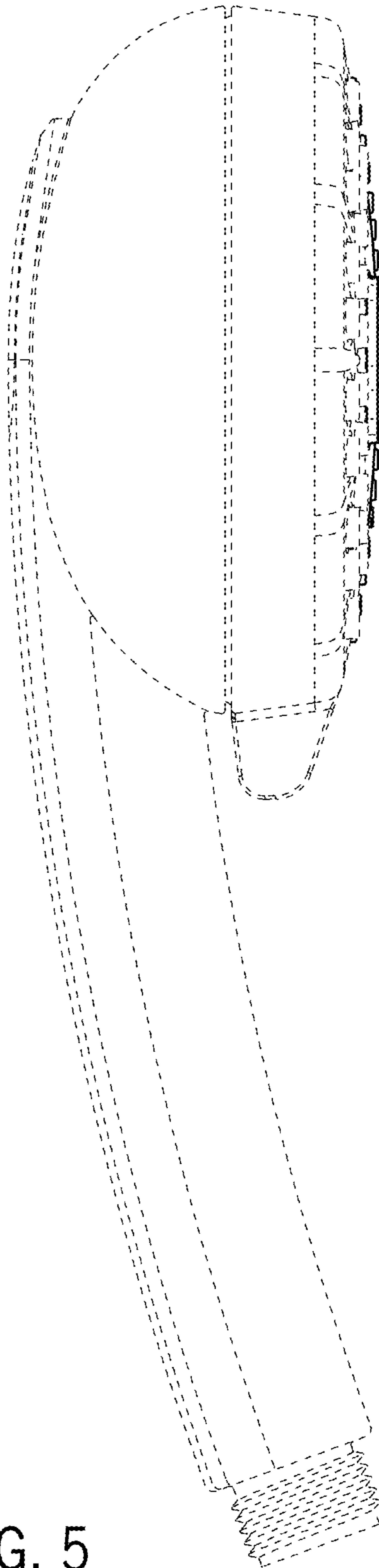


FIG. 5

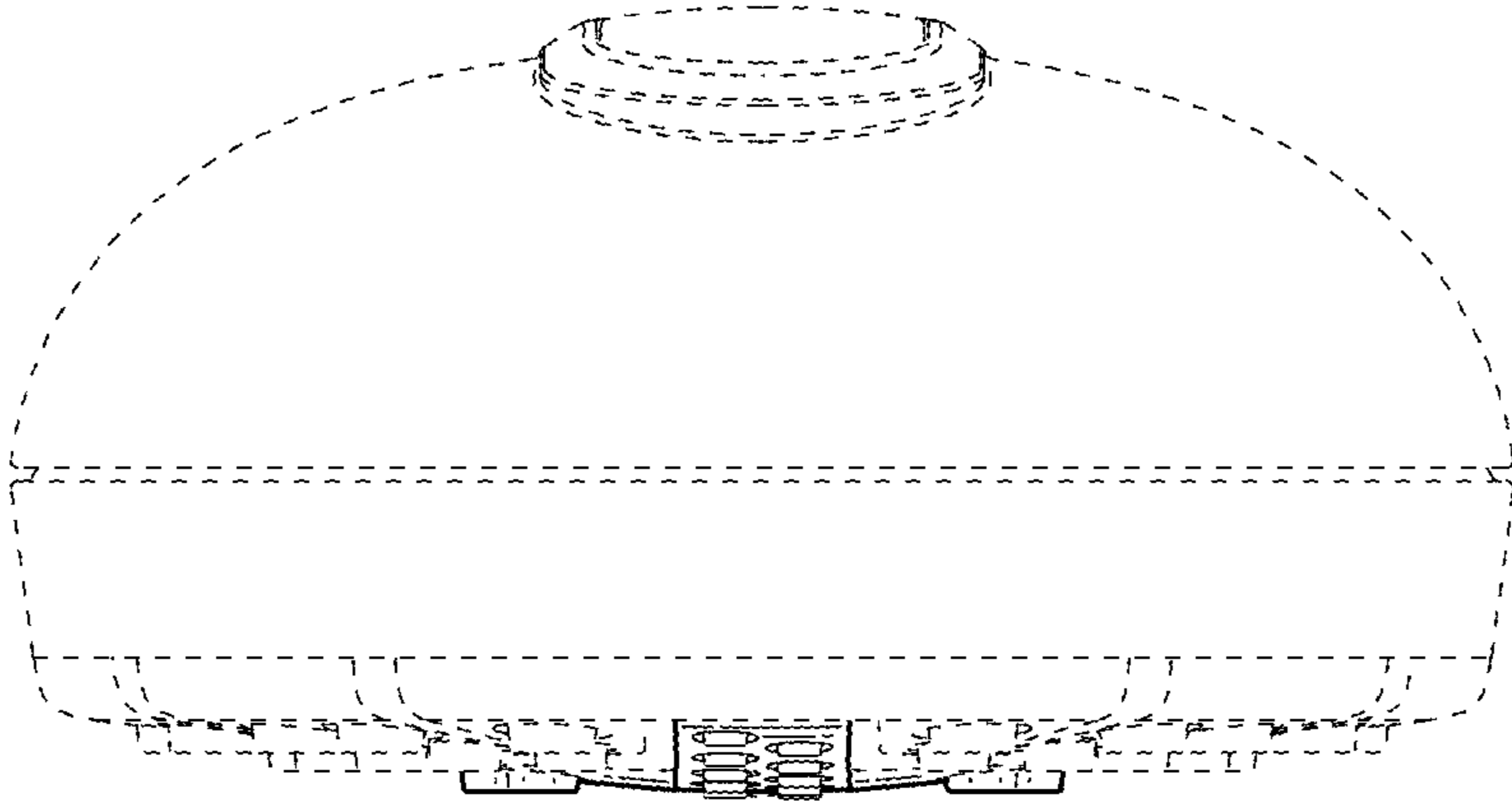


FIG. 6

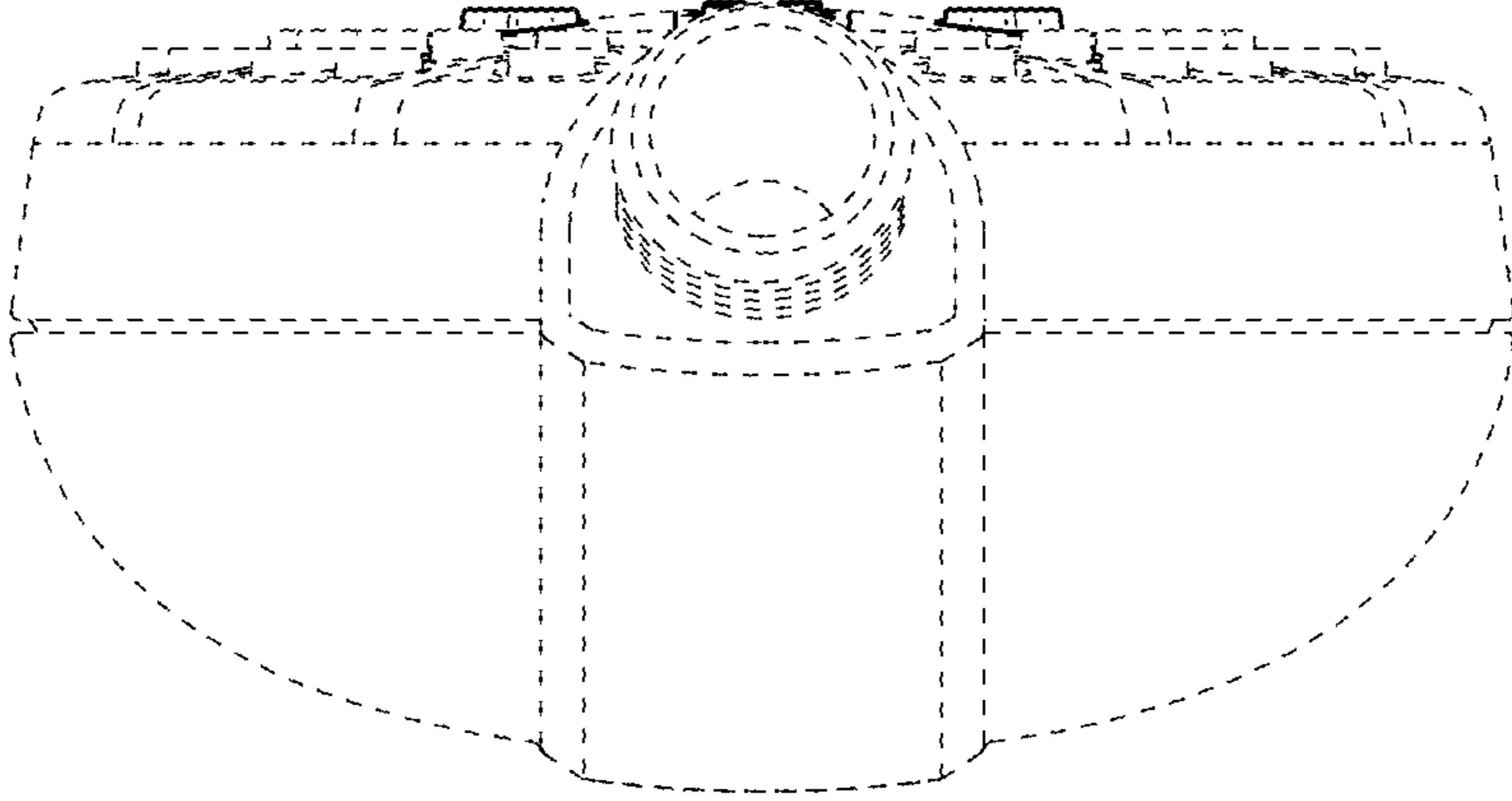


FIG. 7