

US00D960302S

(12) **United States Design Patent**
Cocks et al.

(10) **Patent No.:** **US D960,302 S**
(45) **Date of Patent:** **** Aug. 9, 2022**

(54) **SHOWER HEAD**

(71) Applicant: **Phoenix Industries Pty Ltd.,**
Bayswater (AU)

(72) Inventors: **Andrew John Cocks, Bayswater (AU);**
Ban Hsi Liu, Bayswater (AU)

(73) Assignee: **Phoenix Industries Pty Ltd, Bayswater**
(AU)

(**) Term: **15 Years**

(21) Appl. No.: **29/736,779**

(22) Filed: **Jun. 3, 2020**

Related U.S. Application Data

(63) Continuation of application No. 29/630,825, filed on
Dec. 22, 2017, now Pat. No. Des. 888,195.

(30) **Foreign Application Priority Data**

Jun. 28, 2017 (AU) 201713952
Jun. 28, 2017 (AU) 201713953
Jun. 28, 2017 (AU) 201713954
Jun. 28, 2017 (AU) 201713955

(51) **LOC (13) Cl.** **23-01**

(52) **U.S. Cl.**
USPC **D23/213**

(58) **Field of Classification Search**
USPC D23/213, 229, 228, 223, 238, 304
CPC E03C 1/06; E03C 1/04; E03C 1/02; B05B
1/18
See application file for complete search history.

(56) **References Cited**

U.S. PATENT DOCUMENTS

D266,212 S 9/1982 Haug
D267,582 S 1/1983 Mackay

4,964,573 A 10/1990 Lipski
D330,408 S 10/1992 Thacker
D340,376 S 10/1993 Klose
D341,191 S 11/1993 Klose
5,331,694 A * 7/1994 Mackenzie A47K 3/286
4/620
5,481,765 A 1/1996 Wang
5,632,049 A 5/1997 Chen
D391,629 S 3/1998 Gottwald
(Continued)

FOREIGN PATENT DOCUMENTS

AU 308198 7/2006
AU 308199 7/2006
(Continued)

OTHER PUBLICATIONS

New Rain Shower Heads for Your Bathroom posted uakc.com.
Available date: Aug. 9, 2014 [site visited Sep. 14, 2021] Available:
<<https://www.uakc.com/blog/rain-shower-heads/>> (Year: 2014).*
(Continued)

Primary Examiner — Kevin K Rudzinski
(74) *Attorney, Agent, or Firm* — Womble Bond Dickinson
(US) LLP

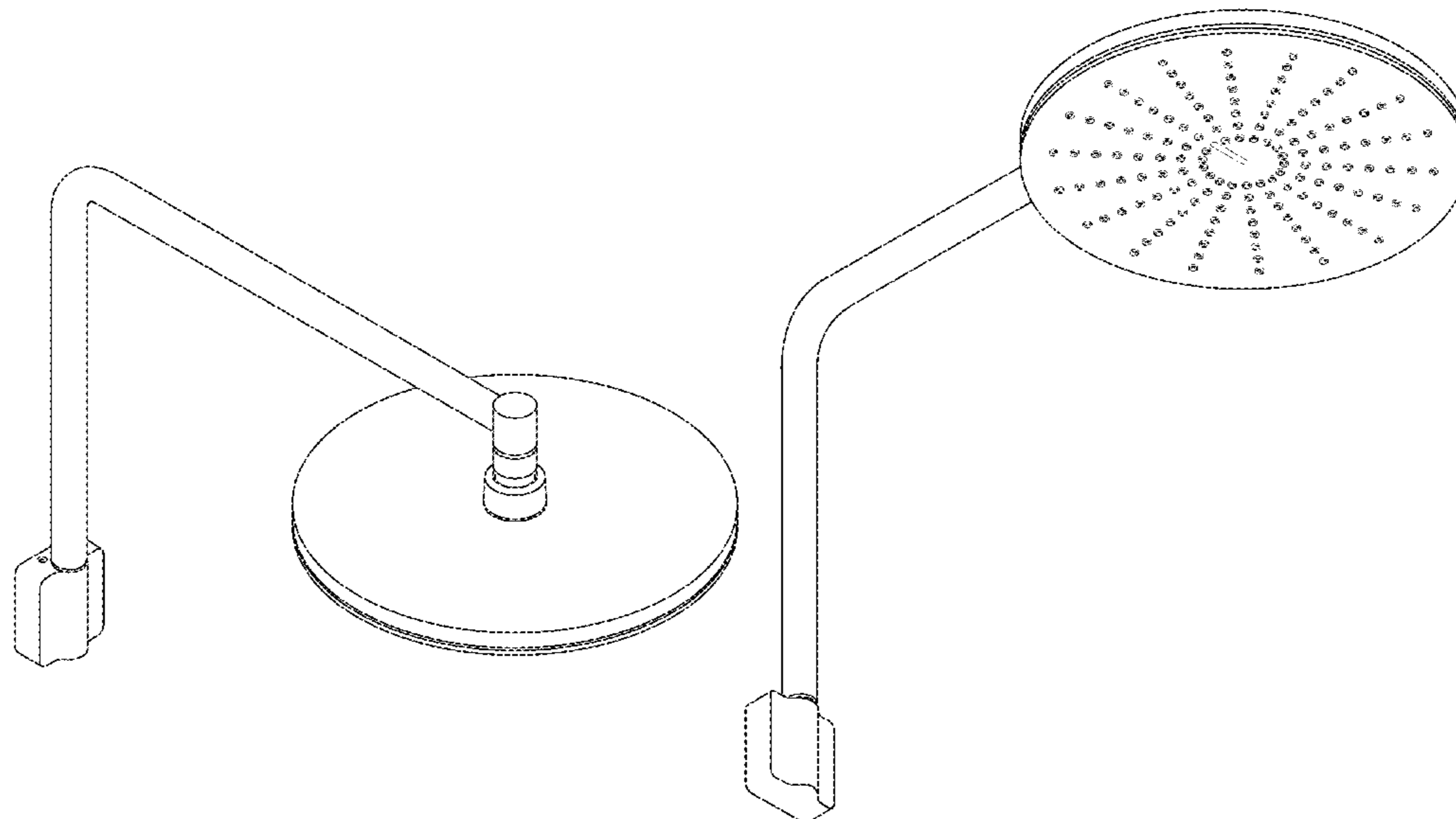
(57) **CLAIM**

The ornamental design for a shower head, as shown and
described.

DESCRIPTION

FIG. 1 is a perspective top view of a shower head according
to our new design;
FIG. 2 is a perspective bottom view thereof;
FIG. 3 is a side view thereof;
FIG. 4 is a front view thereof;
FIG. 5 is a top view thereof; and,
FIG. 6 is a bottom view thereof.

1 Claim, 6 Drawing Sheets



(56)

References Cited

U.S. PATENT DOCUMENTS

D412,563 S	8/1999	Milrud	
D416,992 S	11/1999	Neufeld	
D443,685 S	6/2001	Gottwald	
D457,598 S	5/2002	Storti	
6,453,486 B1	9/2002	Chen	
D468,800 S *	1/2003	Tse	D23/213
D471,953 S *	3/2003	Colligan	D23/213
D475,433 S *	6/2003	Citterio	D23/213
D477,657 S *	7/2003	Toyohara	D23/304
D477,863 S	7/2003	Singtoroj	
D484,226 S	12/2003	Cropelli	
D492,980 S *	7/2004	Citterio	D23/228
D496,447 S	9/2004	Lobermeier	
D496,448 S	9/2004	Haug	
D496,987 S	10/2004	Glunk	
D497,974 S	11/2004	Haug	
D512,120 S	11/2005	Haug	
D513,525 S	1/2006	Haug	
7,043,776 B1	5/2006	Wu	
D522,612 S	6/2006	Eilmus	
D524,406 S	7/2006	Hoernig	
D527,072 S	8/2006	Wu	
7,093,309 B2	8/2006	Kollmann	
D531,259 S	10/2006	Hsieh	
D540,925 S	4/2007	Garner	
D541,394 S	4/2007	Toyohara	
D542,394 S	5/2007	Cropelli	
D543,093 S	5/2007	Chan	
D545,419 S	6/2007	Nikles	
D550,337 S	9/2007	Stein	
D556,855 S	12/2007	Mullenmeister	
D562,937 S	2/2008	Schoenherr	
D562,950 S	2/2008	Nikles	
D565,711 S	4/2008	Giggs	
D566,228 S	4/2008	Neagoe	
D567,637 S	4/2008	Moore	
D567,904 S *	4/2008	Schoenherr	D23/228
D578,622 S	10/2008	Kollmann	
D580,010 S *	11/2008	Lee	D23/213
D580,025 S	11/2008	Kollmann	
D581,485 S	11/2008	Kollmann	
D584,803 S	1/2009	Lammel	
D589,117 S	3/2009	Bardsley	
D590,916 S	4/2009	Schoenherr	
D590,917 S	4/2009	Schoenherr	
D592,276 S	5/2009	Schoenherr	
D593,640 S	6/2009	Schoenherr	
D613,370 S	4/2010	Allard	
7,721,363 B2	5/2010	Huang	
D620,077 S	7/2010	Lee	
D622,831 S *	8/2010	Sandee	D23/304
7,766,291 B2	8/2010	Eilmus	
D626,194 S	10/2010	Kakihana	
D637,026 S	5/2011	Lin	
D638,520 S *	5/2011	Matsuura	D23/228
D648,825 S *	11/2011	Ando	D23/228
D654,983 S	2/2012	Schoenherr	
D655,386 S	3/2012	Schoenherr	
D655,783 S	3/2012	Schoenherr	
D659,167 S	5/2012	Cocks	
D659,794 S	5/2012	Flowers	
D659,797 S	5/2012	Farley	
D665,479 S	8/2012	Cocks	
D669,156 S	10/2012	Schoenherr	
D669,962 S	10/2012	Schoenherr	
D672,010 S	12/2012	Verdeflor	
D674,038 S	1/2013	Mendoza	
8,429,769 B2	4/2013	Gross	
D681,781 S	5/2013	Cutler	
D685,453 S *	7/2013	Wilson	D23/228
D687,924 S *	8/2013	Newson	D23/213
D689,983 S *	9/2013	Wilson	D23/228
D694,357 S	11/2013	Brodey	
D694,358 S	11/2013	Schoenherr	
D694,359 S	11/2013	Schoenherr	
D694,361 S	11/2013	Schoenherr	
D694,856 S	12/2013	Madsen	
D695,880 S	12/2013	Schoenherr	
D697,177 S	1/2014	Schoenherr	
D702,817 S *	4/2014	Ryu	D23/228
D705,900 S	5/2014	Bailey	
D707,328 S	6/2014	Schoenherr	
D710,973 S	8/2014	Madsen	
D713,003 S	9/2014	Sandee	
D713,004 S	9/2014	Schoenherr	
D713,496 S	9/2014	Schoenherr	
D713,498 S	9/2014	Schoenherr	
D714,421 S	9/2014	Flowers	
8,851,398 B2	10/2014	Li	
D719,640 S	12/2014	Yu	
8,919,709 B2	12/2014	Zhou	
D723,137 S	2/2015	Nikles	
8,991,432 B2	3/2015	Zhou	
9,027,857 B2	5/2015	Kull	
D733,258 S	6/2015	Sandee	
9,046,261 B2	6/2015	Zhang	
D735,841 S	8/2015	Obara	
D736,348 S	8/2015	Tan	
D737,929 S	9/2015	Rexach	
D737,932 S	9/2015	Nikles	
D738,991 S	9/2015	Brodey	
9,175,460 B2	11/2015	Ukigai	
D746,422 S	12/2015	Schoenherr	
D746,423 S	12/2015	Schoenherr	
D746,963 S	1/2016	Barber	
D746,964 S	1/2016	Schoenherr	
D749,694 S	2/2016	Madsen	
D751,174 S	3/2016	Schoenherr	
D751,175 S	3/2016	Schoenherr	
D751,176 S	3/2016	Schoenherr	
9,273,452 B2	3/2016	Wilson	
9,297,151 B2	3/2016	Blessing	
D757,894 S	5/2016	Schoenherr	
D758,532 S	6/2016	Schoenherr	
9,382,699 B2	7/2016	Andersen	
9,410,309 B2	8/2016	Sharratt	
D778,402 S	2/2017	Schoenherr	
D778,404 S	2/2017	Schoenherr	
D787,458 S	5/2017	Kim	
D787,635 S *	5/2017	Tseng	D23/228
D790,665 S	6/2017	Spangler	
9,822,924 B2	11/2017	Wu	
D810,234 S *	2/2018	Winter	D23/213
D820,388 S	6/2018	Seum	
D822,157 S	7/2018	L'Henaff	
D828,511 S	9/2018	Liu et al.	
D828,512 S	9/2018	Liu et al.	
D828,516 S	9/2018	Liu et al.	
D828,909 S	9/2018	Liu et al.	
D841,128 S	2/2019	Zhou	
D841,786 S	2/2019	Hsieh	
10,195,654 B2	2/2019	Honda	
D844,749 S	4/2019	Cocks	
D846,077 S	4/2019	Liu	
D846,696 S	4/2019	Cocks	
D846,701 S	4/2019	Liu	
D846,702 S	4/2019	Liu	
D847,302 S	4/2019	Cocks	
D849,696 S	4/2019	Cocks et al.	
D849,191 S	5/2019	Cocks et al.	
D851,207 S	6/2019	Cocks et al.	
D856,475 S	8/2019	Gessi	
D858,700 S	9/2019	Stoler	
D865,132 S	10/2019	Hoogendoorn et al.	
D865,133 S	10/2019	Hoogendoorn et al.	
D866,715 S	11/2019	Liu et al.	
D867,521 S *	11/2019	Mahdjoubi Namin	D23/213
D868,213 S	11/2019	Hoogendoorn et al.	
D869,608 S	12/2019	Seum	
D879,245 S	3/2020	Eads	
D879,247 S	3/2020	Stoler	
D881,340 S *	4/2020	Winter	D23/213
D888,195 S *	6/2020	Cocks	D23/213
D890,884 S	7/2020	Downey	

(56)

References Cited

U.S. PATENT DOCUMENTS

D902,346	S *	11/2020	Cocks	D23/213
D903,050	S *	11/2020	Ando	D23/213
D904,276	S	12/2020	Hostetter		
10,851,528	B2	12/2020	Wang		
D926,287	S *	7/2021	Cocks	D23/213
D926,925	S *	8/2021	Cocks	D23/213
D927,638	S *	8/2021	Cocks	D23/213
D943,709	S *	2/2022	Cocks	D23/223
2005/0116062	A1 *	6/2005	Yang	E03C 1/06 239/283
2008/0223957	A1	9/2008	Schorn		
2009/0222983	A1	9/2009	Bosio		
2010/0037389	A1	2/2010	Gross		
2010/0320295	A1	12/2010	Mang		
2011/0108640	A1	5/2011	Grahe		
2013/0248017	A1	9/2013	Neago		
2013/0283520	A1	10/2013	Schulte		
2014/0251454	A1	9/2014	Blessing		
2016/0265201	A1	9/2016	Hoogendoorn et al.		
2018/0298596	A1	10/2018	Tsai		
2019/0211537	A1	7/2019	Lee		
2019/0249402	A1	8/2019	Whitfield		
2020/0263399	A1 *	8/2020	Sierks	B05B 15/652
2021/0079632	A1 *	3/2021	Beattie	F16K 11/0445

FOREIGN PATENT DOCUMENTS

AU	308201	7/2006
AU	308202	7/2006
AU	314560	6/2007
AU	314563	6/2007
AU	321286	10/2008
AU	328364	11/2009
AU	328365	11/2009
AU	334096	12/2010
AU	336356	5/2011
AU	336357	5/2011
AU	337781	7/2011
AU	337782	7/2011
AU	344493	9/2012
AU	344494	9/2012
AU	350490	8/2013
AU	355991	6/2014
AU	355992	6/2014
AU	355993	6/2014
AU	355994	6/2014
AU	357542	9/2014
AU	357840	9/2014
AU	357842	9/2014
AU	357843	9/2014
CN	111135963	* 5/2020
DE	20304879	* 6/2003

OTHER PUBLICATIONS

Satin Nickel 10" Round Rain Rain Shower Head (Part No. SH82-A-N) posted to wayfair.com. Available date: Jun. 16, 2017 [site

visited Sep. 14, 2021] Available: <<https://www.wayfair.com/home-improvement/pdp/modona-10-round-rain-rain-shower-head-mbco1056.html>> (Year: 2017).*

MODONA 10" Rain Shower Head and "S" Long Shower Arm With Flange posted to amazon.com. Available date: Dec. 1, 2014 [site visited Sep. 14, 2021] Available: <<https://www.amazon.com/MODONA-Rain-Shower-Head-Flange/dp/B00KRZKA2G?th=1>>(Year: 2014).*

Jasmine Rainfall Full Dual Shower Head posted to wayfair.com. Available date: Mar. 1, 2020 [site visited Mar. 25, 2022] Available: <<https://www.wayfair.com/home-improvement/pdp/raen-jasmine-rainfall-full-dual-shower-head-raen1001.html>>.*

"HammerHead Showers 1F-HHS-CH-2.5", Nov. 14, 2017, Amazon, site visited Apr. 19, 2021: <https://www.amazon.com/dp/B077GHJFLP> (Year: 2017).

"ALFI brand AB7938", Dec. 6, 2013, Amazon, site visited Apr. 19, 2021: <https://www.amazon.com/dp/B00H50Z9ZY> (Year: 2013).

"Hansgrohe 4266000", Feb. 18, 2010, Amazon, site visited Apr. 19, 2021: <https://www.amazon.com/dp/B002VKP5CU/> (Year:2010).

"Moen 3668EPBN", Jun. 13, 2013, Amazon, site visited Apr. 19, 2021: <https://www.amazon.com/dp/B00DDVZCHO/> (Year: 2013).

"How to Install—Slide Rail Shower System SRXBH-643E" Aug. 29, 2019, YouTube, site visited Apr. 19, 2021: <https://www.youtube.com/watch?v=nThLskqGd0w> (Year: 2019).

"Delta Faucet Vero 57530" Sep. 29, 2012, Amazon, site visited Apr. 19, 2021: <https://www.amazon.ca/dp/B0040YM6L8/> (Year: 2012).

"Gowe GWE-1024863", May 22, 2016, Amazon, site visited Apr. 19, 2021: <https://www.amazon.com/dp/B01G05OBGW> (Year: 2016).

"Bright Showers Square Shower Wand", Jul. 19, 2018, Amazon, site visited Apr. 19, 2021: <https://www.amazon.com/dp/B07FPKD3WC/> (Year: 2018).

"Oil Rubbed Bronze Rain Shower", Mar. 8, 2018, Amazon, site visited Apr. 19, 2021: <https://www.amazon.com/dp/B07B9XR1PF/> (Year: 2018).

"GROHE 27867001", Apr. 1, 2018, Amazon, site visited Apr. 19, 2021: <https://www.amazon.com/dp/B07BYHDQ8V/> (Year: 2018).

"Jaclo 6458-MBK", Sep. 16, 2015, Amazon, site visited Apr. 19, 2021: <https://www.amazon.com/dp/B015GG6K4M/> (Year:2015).

"KES Home Towel Hook 5846598", Apr. 17, 2015, Amazon, site visited Apr. 19, 2021: <https://www.amazon.com/dp/B00W8V60NU/> (Year: 2015).

Toi Basin Mixer, Phoenix Tapware, Showers & Accessories, <http://www.phoenixtapware.com.au/products/toi-basin-mixer>, known at least as early as Oct. 25, 2016, 3 pgs.

Toi Wall Basin/Bath Mixer Set, <http://www.phoenixtapware.com.au/toi-wall-basin-mixer-set180mm>, known at least as early as Oct. 25, 2016, 3 pgs.

Toi Sink Mixer Squareline, Phoenix Tapware, Showers & Accessories, <http://www.phoenixtapware.com.au/toi-sink-mixer-180mm-squareline>, known at least as early as Oct. 25, 2016, 3 pgs.

Amazon; 8 Inch Rainfall Shower Head; WaterPoint; available at https://www.amazon.com/Inch-Rainfall-Shower-Head-WaterPoint/dp/B07R62JT94/ref=sr_1_1_75?keywords=showerhead&qid=1566490142&s=gateway&sr=8-75; available prior to Aug. 22, 2019.

* cited by examiner

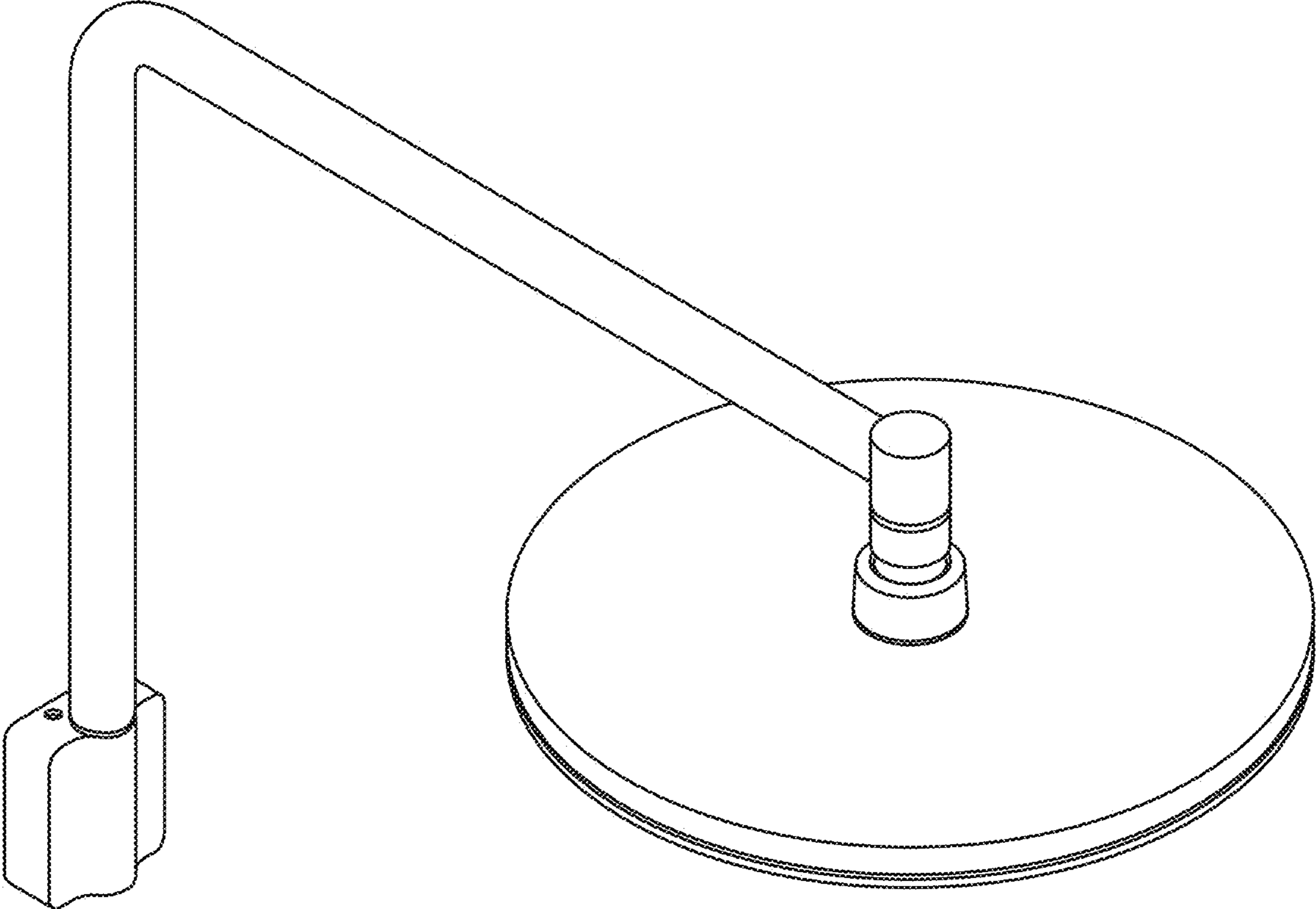


FIG. 1

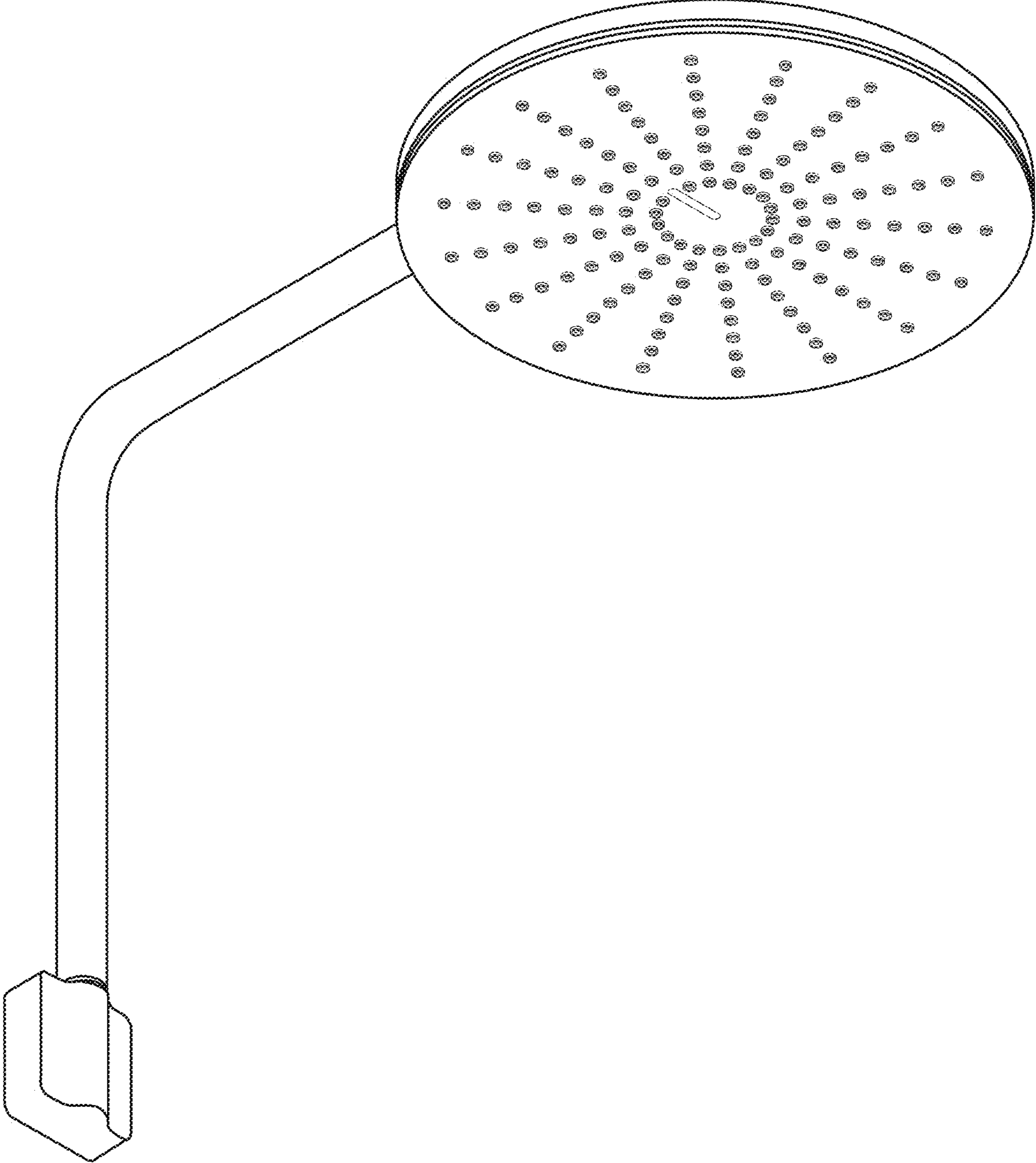


FIG. 2

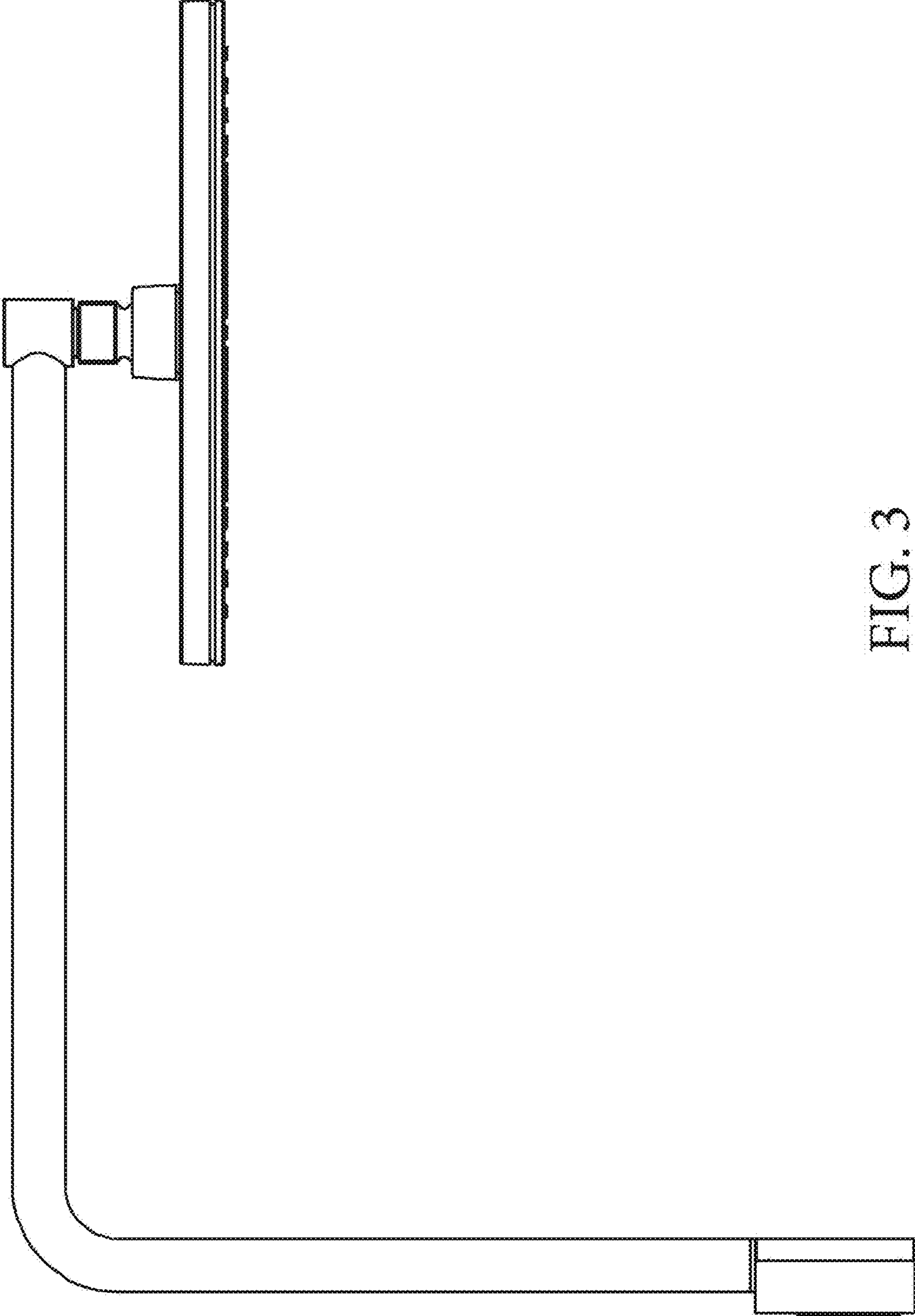


FIG. 3

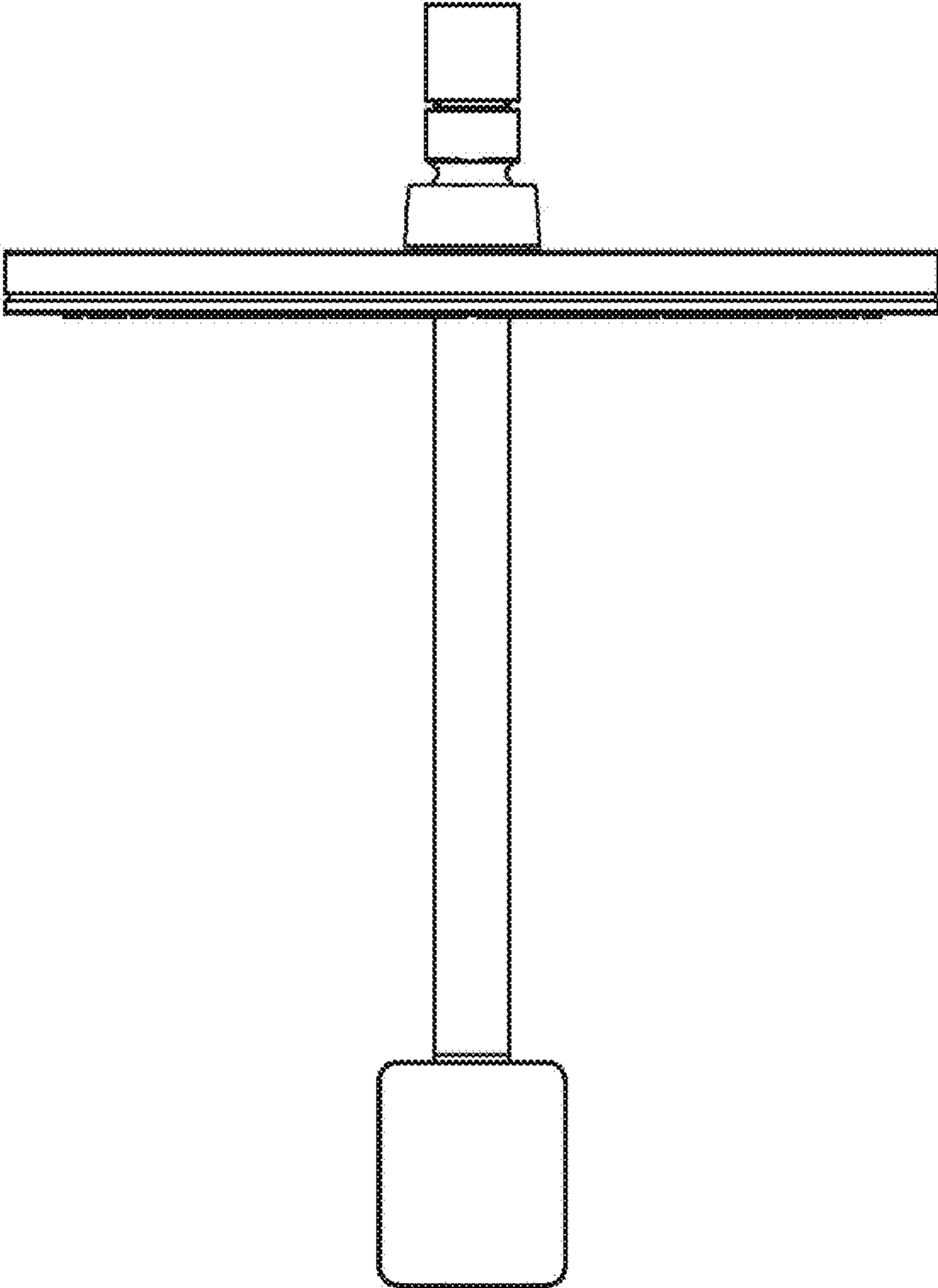


FIG. 4

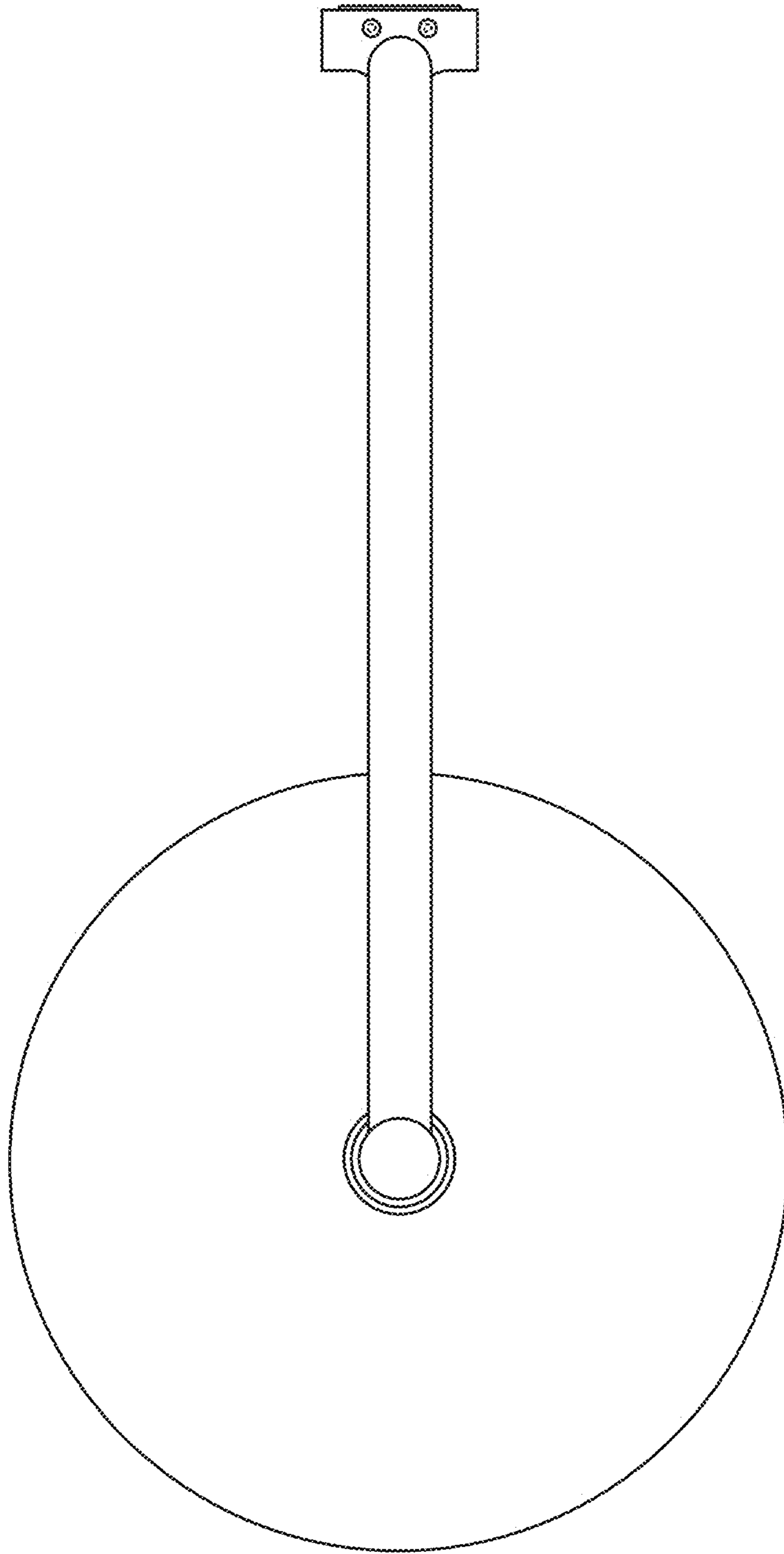


FIG. 5

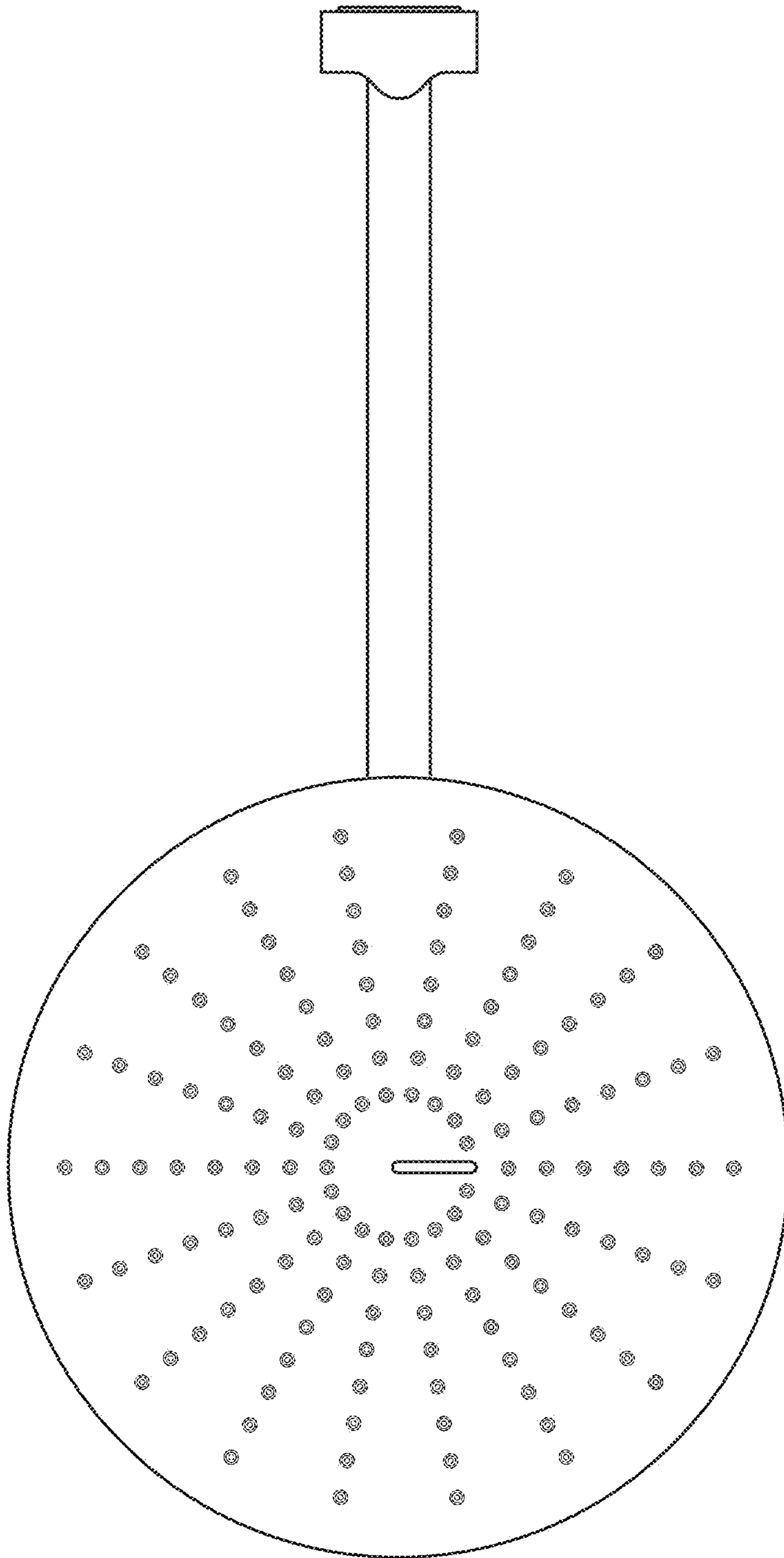


FIG. 6