



US00D960301S

(12) **United States Design Patent**
Ketterling

(10) **Patent No.:** **US D960,301 S**

(45) **Date of Patent:** **** Aug. 9, 2022**

(54) **GRIPPING HEAD FOR SPRINKLER RISER EXTENSION**

(71) Applicant: **Kody J. Ketterling**, Twin Falls, ID (US)

(72) Inventor: **Kody J. Ketterling**, Twin Falls, ID (US)

(**) Term: **15 Years**

(21) Appl. No.: **29/730,549**

(22) Filed: **Apr. 6, 2020**

Related U.S. Application Data

(63) Continuation of application No. 16/377,199, filed on Apr. 6, 2019, now Pat. No. 10,814,343.

(51) **LOC (13) Cl.** **23-01**

(52) **U.S. Cl.**
USPC **D23/213**

(58) **Field of Classification Search**
USPC D23/213, 214, 215, 223, 224, 226, 229
CPC A61H 9/0021; A61H 33/00; B05B 1/00;
B05B 1/14; B05B 1/185; B05B 1/08;
B05B 1/02; B05B 1/26; B05B 12/002;
B05B 1/18; B05B 9/01
See application file for complete search history.

(56) **References Cited**

U.S. PATENT DOCUMENTS

D248,568	S *	7/1978	Ismach	604/68
D253,245	S *	10/1979	Allenbaugh, Jr.	D23/213
4,220,283	A	9/1980	Citron	
D289,542	S	4/1987	Byrne	
D319,291	S *	8/1991	Hanzel	D23/213
5,226,599	A	7/1993	Lindermeir et al.	
6,641,177	B1	11/2003	Pinciario	
D616,961	S *	6/2010	Goetz	D23/213
D734,868	S *	7/2015	Gilboa	D24/231
D757,933	S *	5/2016	Lev	D24/129
9,339,438	B2 *	5/2016	Lev	A61J 1/2051

D765,837	S *	9/2016	Lev	D24/129
D767,124	S *	9/2016	Lev	D24/129
D801,522	S *	10/2017	Ben Shalom	D24/129
D861,054	S *	9/2019	Avila	D15/199
D883,446	S *	5/2020	Comstock	D23/249
10,806,667	B2 *	10/2020	Denenburg	A61J 1/2072
D907,176	S *	1/2021	Qiang	D23/209
D909,606	S *	2/2021	Maibach, Jr.	D24/232
D916,265	S *	4/2021	Jung	D23/364
D920,469	S *	5/2021	Babaie	D23/207
D921,151	S *	6/2021	Cho	D23/207

(Continued)

OTHER PUBLICATIONS

Pop-Up Sprinkler Riser Extension, Aug. 29, 2020, homedepot.com, Sep. 1, 2021.URL: <https://www.homedepot.com/p/KAP-IT-Pop-Up-Sprinkler-Riser-Extension-Attach-to-Top-of-Pop-Up-1-5-lift-Pop-Up-Riser-Kap-Virtually-NO-Digging-2-pk-Kap-02R/313655761> (Year: 2020).*

(Continued)

Primary Examiner — Keith J Wilson

(74) *Attorney, Agent, or Firm* — Burdick Patents, P.A.; Sean D. Burdick

(57) **CLAIM**

The ornamental design for a gripping head for sprinkler riser extension, as shown and described.

DESCRIPTION

FIG. 1 is a perspective view of a gripping head for sprinkler riser extension, showing my new design.

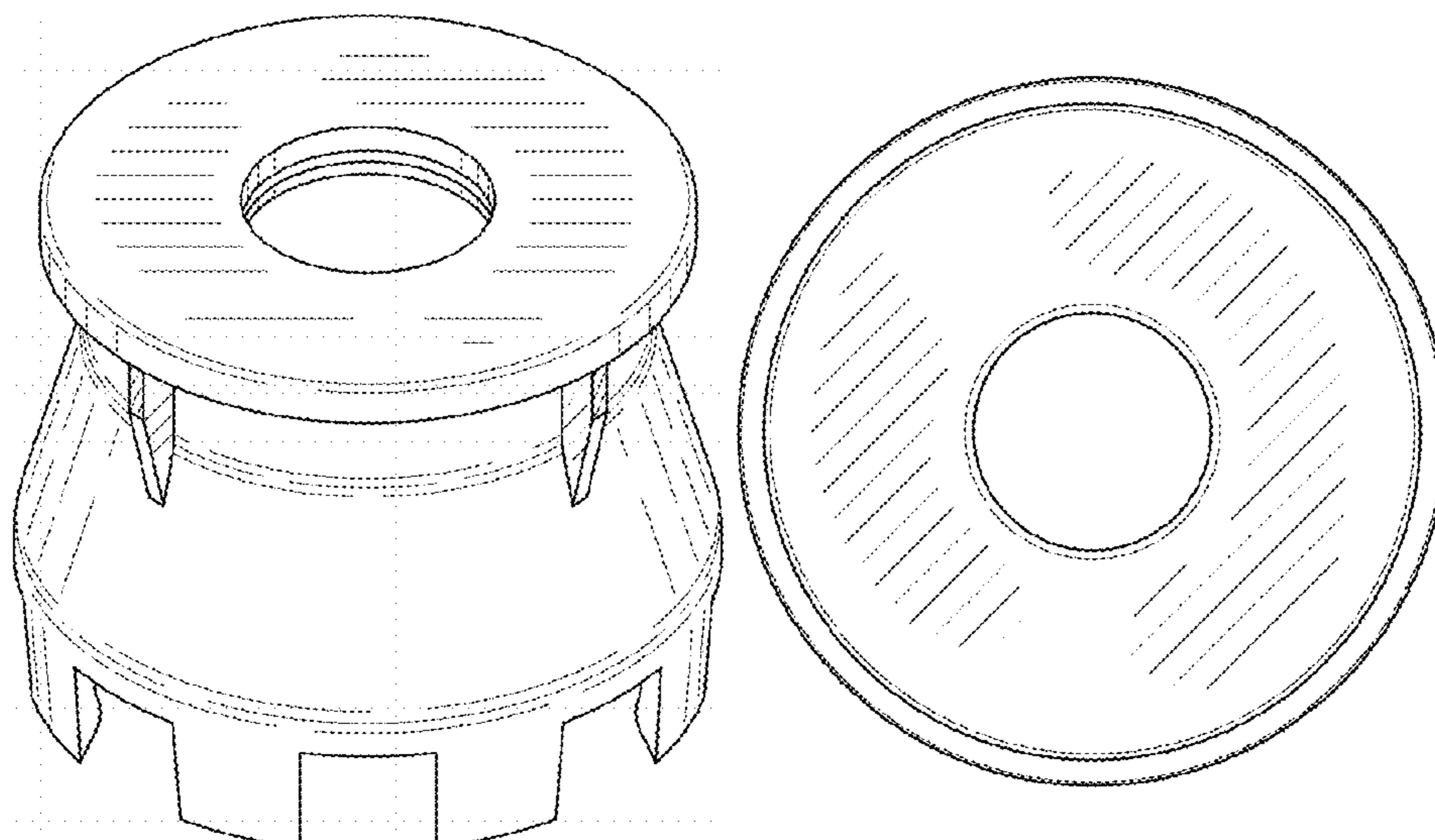
FIG. 2 is a top view thereof.

FIG. 3 is a bottom view thereof; and,

FIG. 4 is a side view thereof, whether viewed from the front, rear, left or right side.

The broken line showing of a gripping head is included for the purpose of illustrating portions of the article and forms no part of the claimed design.

1 Claim, 2 Drawing Sheets



(56)

References Cited

U.S. PATENT DOCUMENTS

D924,361 S * 7/2021 Matsushita D23/235
2002/0039522 A1 4/2002 Hartmann et al.

OTHER PUBLICATIONS

Modtek Replacement Pop UP Sprinkler Heads, Jun. 7, 2019, Amazon.com, Sep. 1, 2021.URL: <https://www.amazon.com/Modtek-Replacement-Sprinkler-RainBird-Sprinklers/dp/B07QJTD2H> (Year: 2019).*

Hunter Sprinkler 8A Pro Adjustable Radius Nozzle, Oct. 18, 2015/, Amazon.com, Sep. 1, 2021. URL: <https://www.amazon.com/dp/B00FYQWMPQ> (Year: 2015).*

International Preliminary Report on Patentability dated Oct. 21, 2021 for PCT/US2020/026731.

International Search Report and Written Opinion dated May 11, 2020 for PCT/US2020/026731.

Orbit 54009 Full Spray Pattern Plastic Shrub Head with Plastic Nozzle, Jun. 11, 2016, Amazon.com, Sep. 9, 2021,URL: <https://www.amazon.com/Orbit-54009-Pattern-Plastic-Nozzle/dp/B00004S1TH> (2016).

Orbit 54010 Shrub and Plant Sprinkler Head, Jul. 29, 2016, Amazon.com, Sep. 9, 2021,URL: <https://www.amazon.com/dp/B00004S1TI> (2016).

Orbit 54023 Adjustable Pattern Shrub Head Sprinkler, Sep. 17, 2019, Amazon.com, Sep. 9, 2021,URL: <https://www.amazon.com/Orbit-54023-Adjustable-Pattern-Sprinkler/dp/B006ZN225C>(2019).

* cited by examiner

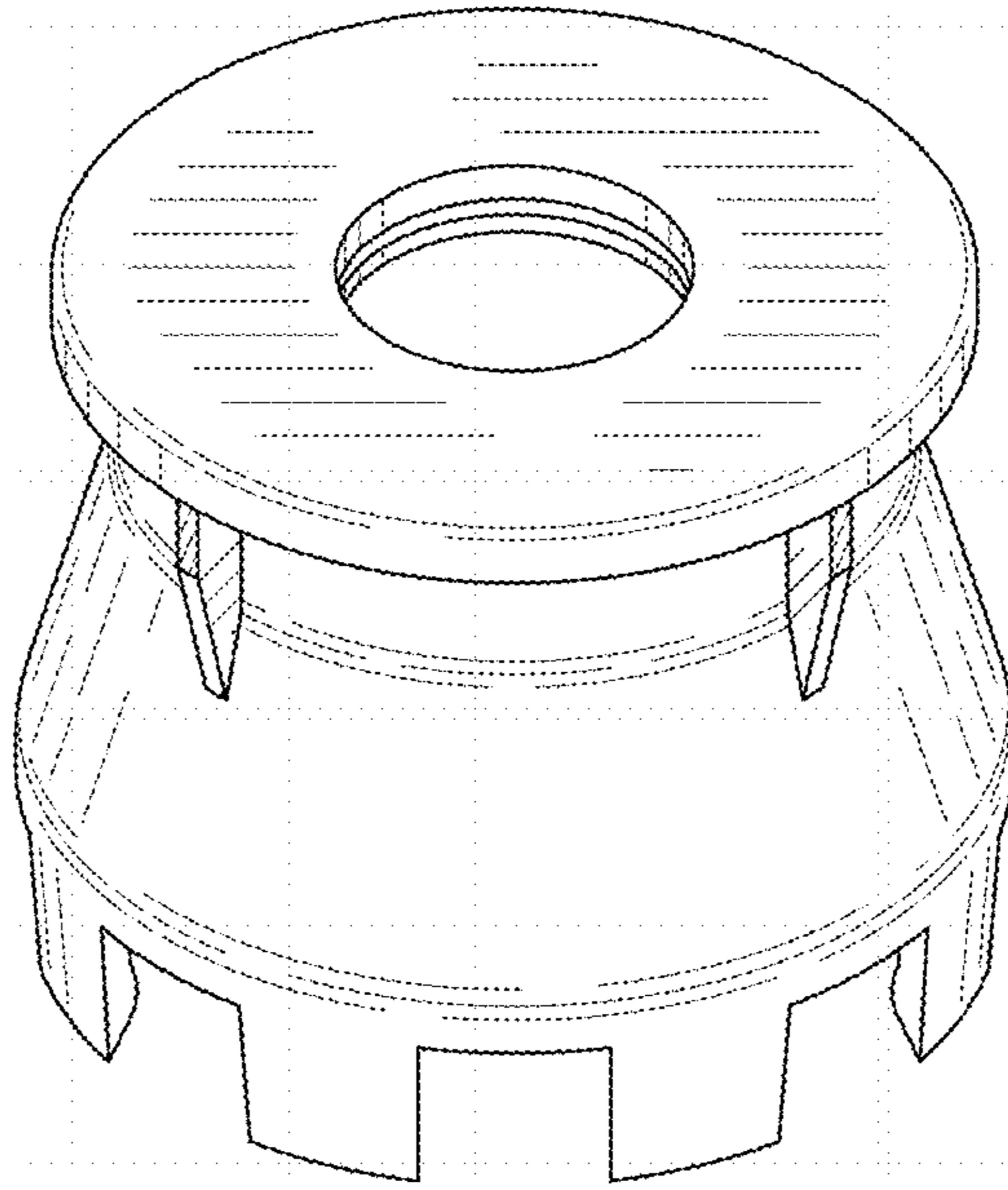


FIG. 1

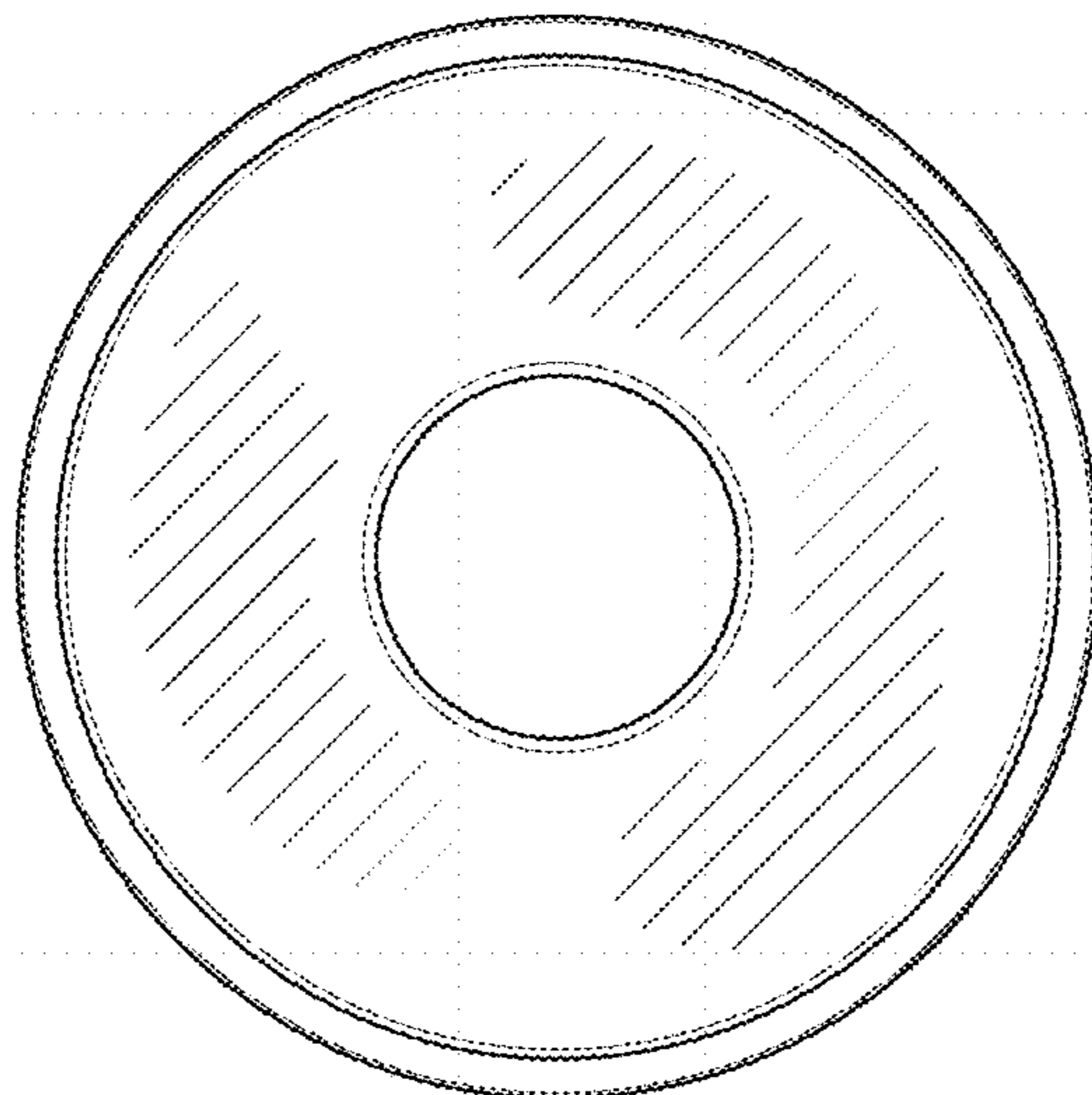


FIG. 2

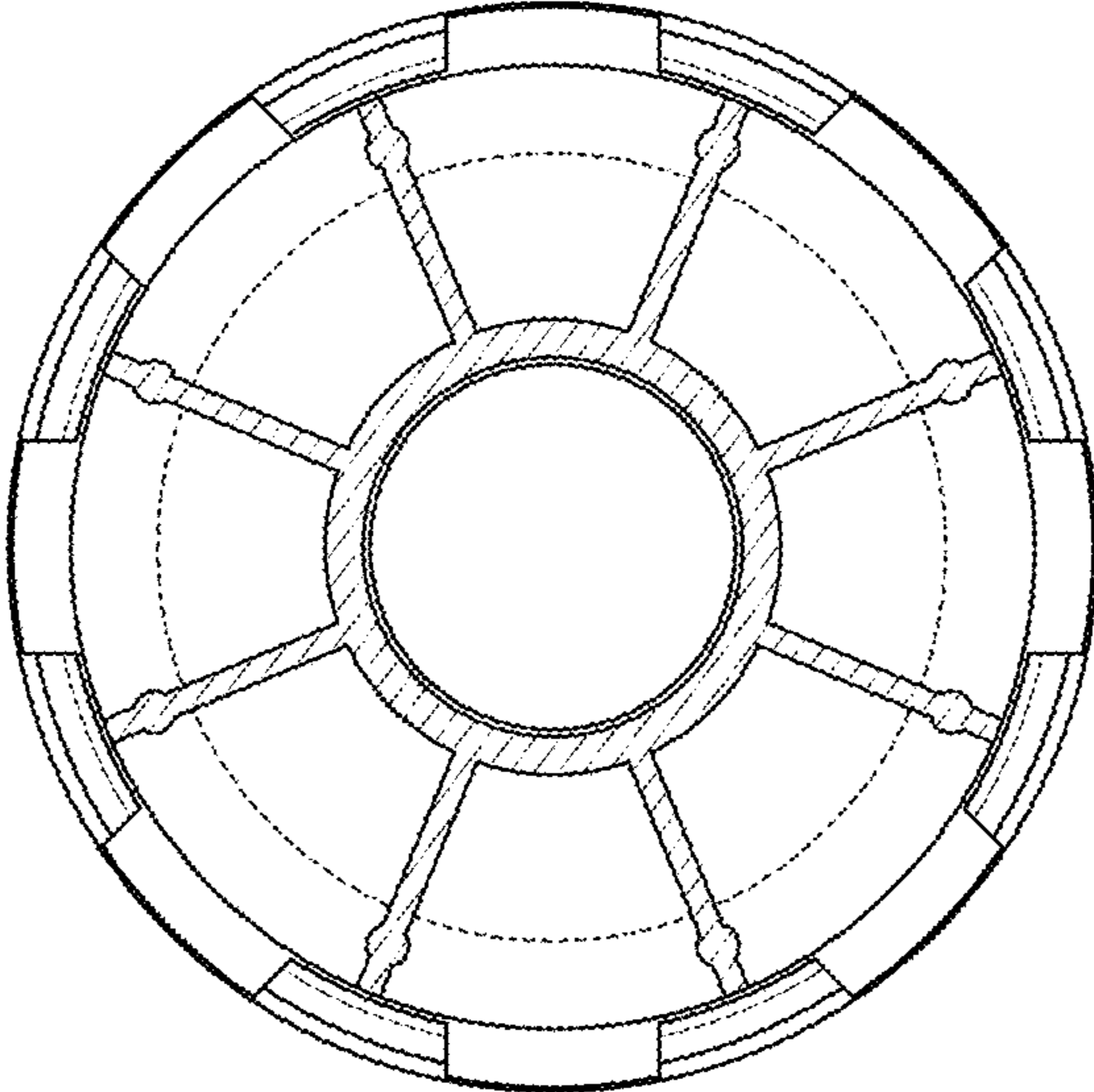


FIG. 3

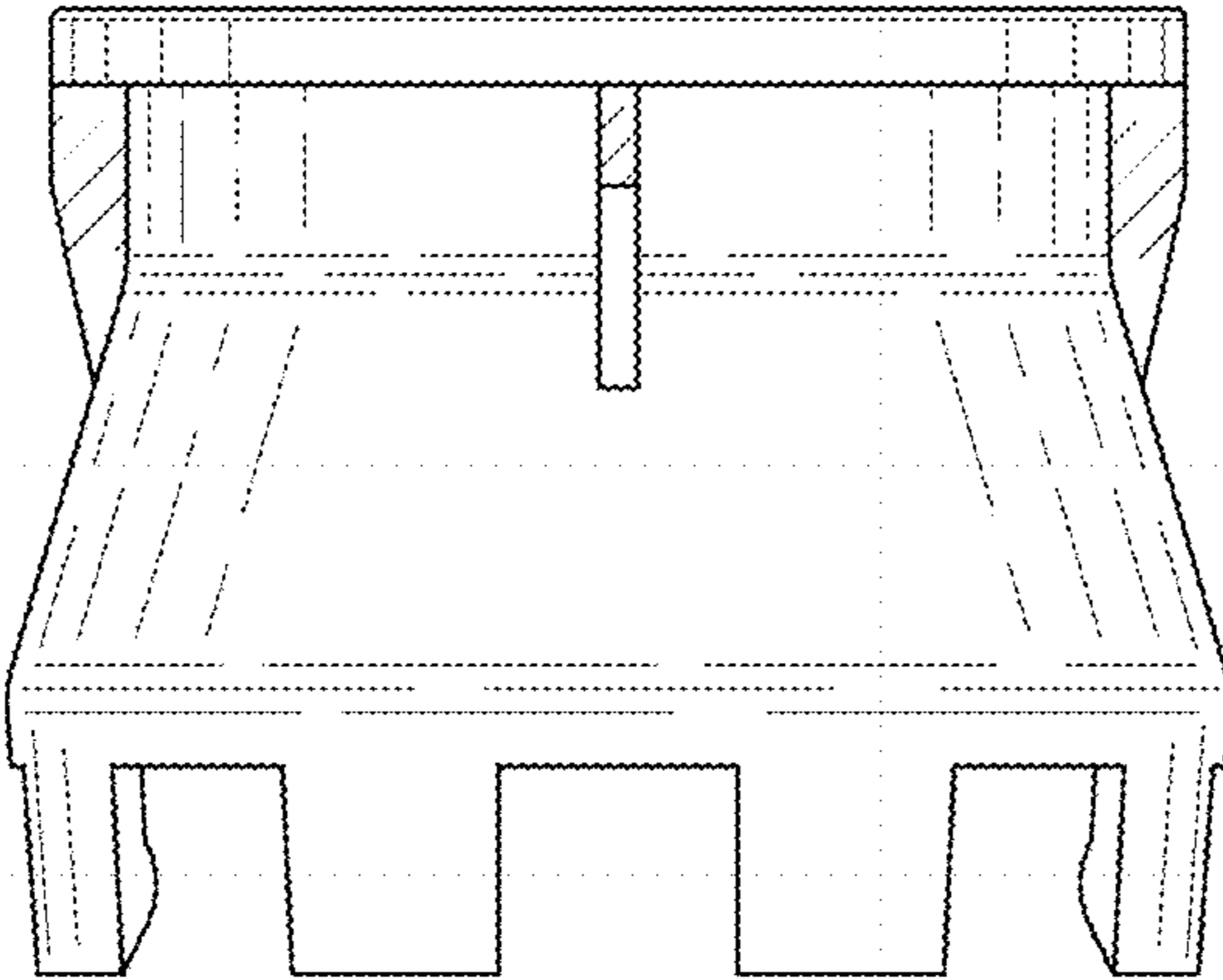


FIG. 4