

US00D960300S

(12) **United States Design Patent** (10) **Patent No.:** **US D960,300 S**  
**Van Der Wielen et al.** (45) **Date of Patent:** **\*\* Aug. 9, 2022**

(54) **NOZZLE FOR FLUID DISTRIBUTION**

(71) Applicant: **P. Bekkers Holding B.V.**, Ouddorp (NL)

(72) Inventors: **Dingenus Van Der Wielen**, Ouddorp (NL); **Marinus Jan Slingerland**, Ouddorp (NL)

(73) Assignee: **P. Bekkers Holding B.V.**, Ouddorp (NL)

(\*\*) Term: **15 Years**

(21) Appl. No.: **29/728,284**

(22) Filed: **Mar. 17, 2020**

(30) **Foreign Application Priority Data**

Sep. 18, 2019 (EM) ..... 006886180-0001  
Sep. 18, 2019 (EM) ..... 006886180-0002

(51) **LOC (13) Cl.** ..... **23-01**

(52) **U.S. Cl.**  
USPC ..... **D23/213**

(58) **Field of Classification Search**  
USPC ..... D23/207, 213, 214, 215, 223, 224, 225,  
D23/226, 229, 230

CPC ..... A61H 9/0021; A61H 33/00; B05B 1/00;  
B05B 1/14; B05B 1/185; B05B 1/08;  
B05B 1/02; B05B 1/26; B05B 12/002;  
B05B 1/18; B05B 9/01

See application file for complete search history.

(56) **References Cited**

**U.S. PATENT DOCUMENTS**

6,059,202 A \* 5/2000 Zink ..... B05B 3/026  
239/259  
D617,870 S \* 6/2010 Wright ..... B05B 3/002  
D23/213  
D638,912 S \* 5/2011 Wright ..... D23/213  
D757,896 S \* 5/2016 Aquilina ..... D23/214

D768,816 S \* 10/2016 Pogliari ..... D23/214  
D769,409 S \* 10/2016 Race ..... D23/214  
D800,249 S \* 10/2017 Irwin ..... D23/213  
D811,521 S \* 2/2018 Bamford ..... D23/213  
D900,961 S \* 11/2020 Wright ..... D23/213  
D911,489 S \* 2/2021 Spooner ..... D23/213  
D912,201 S \* 3/2021 Arenson ..... D23/213  
D912,202 S \* 3/2021 Takezawa ..... D23/213  
D913,420 S \* 3/2021 Sugawara ..... D23/223  
D914,133 S \* 3/2021 Tayh ..... B05C 17/0052  
D23/213

(Continued)

**OTHER PUBLICATIONS**

URX19 nozzle, Nov. 20, 2020, enz.com, Oct. 28, 2021, URL:  
[https://www.enz.com/fileadmin/uploads/tx\\_dogrelproductcatalogue/Bilder\\_Neu/Katalog/\\_2-000000/\\_2-100000/\\_2-102000/Infoblatt\\_URX19\\_V2.0\\_DE\\_EN\\_FR.pdf](https://www.enz.com/fileadmin/uploads/tx_dogrelproductcatalogue/Bilder_Neu/Katalog/_2-000000/_2-100000/_2-102000/Infoblatt_URX19_V2.0_DE_EN_FR.pdf) (Year: 2020).\*

(Continued)

*Primary Examiner* — Keith J Wilson  
(74) *Attorney, Agent, or Firm* — Troutman Pepper  
Hamilton Sanders LLP; Ryan A. Schneider

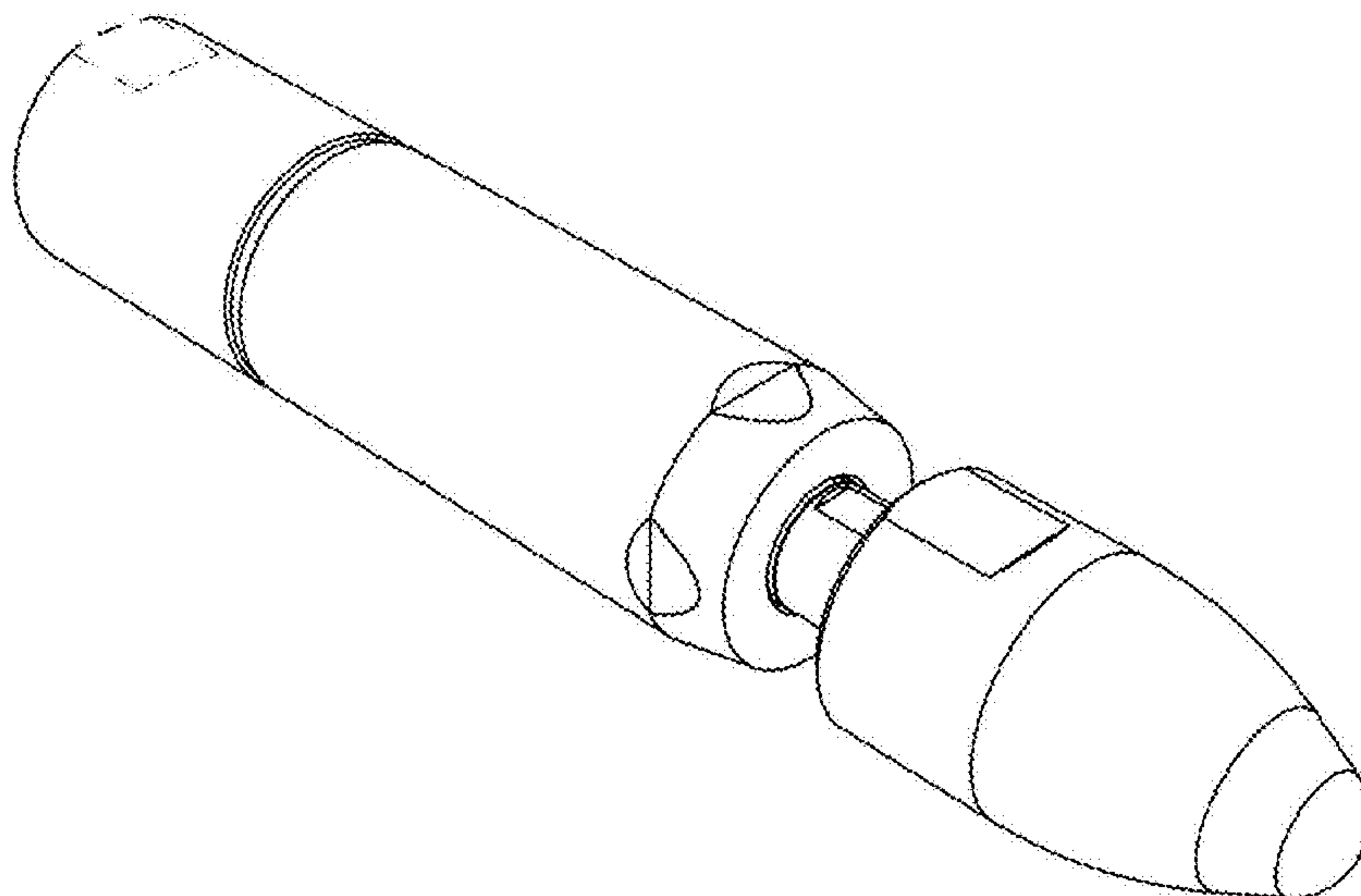
(57) **CLAIM**

The ornamental design for nozzles for fluid distribution, as shown and described.

**DESCRIPTION**

FIG. 1 is a front perspective view of our new design for a nozzle with body for fluid distribution;  
FIG. 2 is a rear perspective view thereof;  
FIG. 3 is a side elevation view thereof, the other side elevation view being a mirror image thereof;  
FIG. 4 is a top plan view thereof, the bottom plan view being a mirror image thereof;  
FIG. 5 is a front elevation view thereof; and,  
FIG. 6 is a rear elevation view thereof.  
The broken lines depict portions of the nozzle for fluid distribution that form no part of the claimed design.

**1 Claim, 6 Drawing Sheets**



(56)

**References Cited**

U.S. PATENT DOCUMENTS

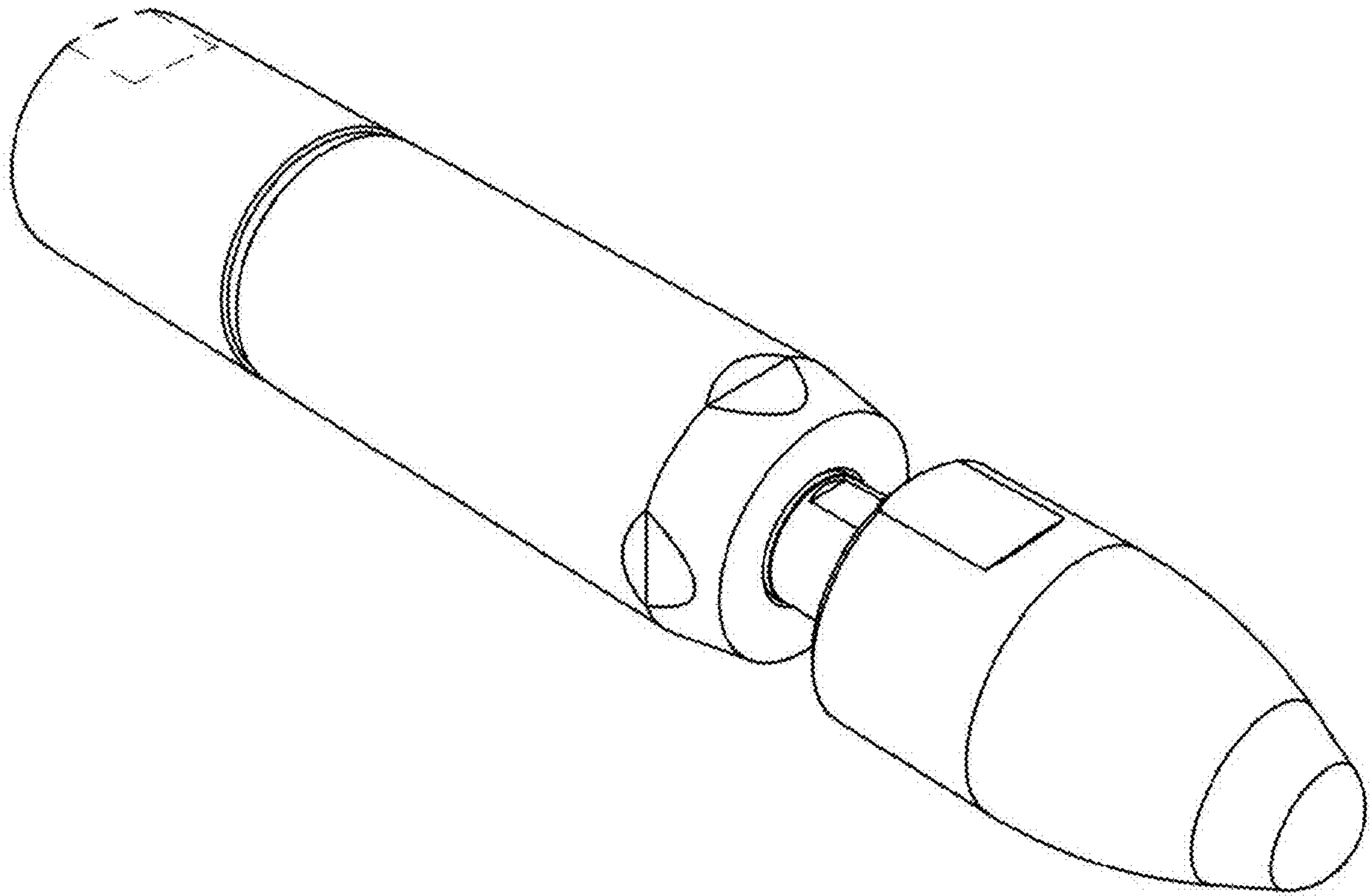
D920,471 S	*	5/2021	Ross	.....	D23/213
D921,153 S	*	6/2021	Zhang	.....	D23/213
D922,521 S	*	6/2021	Ross	.....	D23/213
D923,140 S	*	6/2021	Yu	.....	D23/213
D926,922 S	*	8/2021	Arenson	.....	D23/213
D928,914 S	*	8/2021	Dubac	.....	D23/213
D929,534 S	*	8/2021	Amano	.....	D23/213
D930,114 S	*	9/2021	Huang	.....	D23/213
D931,409 S	*	9/2021	Stanca	.....	D23/213
D931,410 S	*	9/2021	Fujinami	.....	D23/213

OTHER PUBLICATIONS

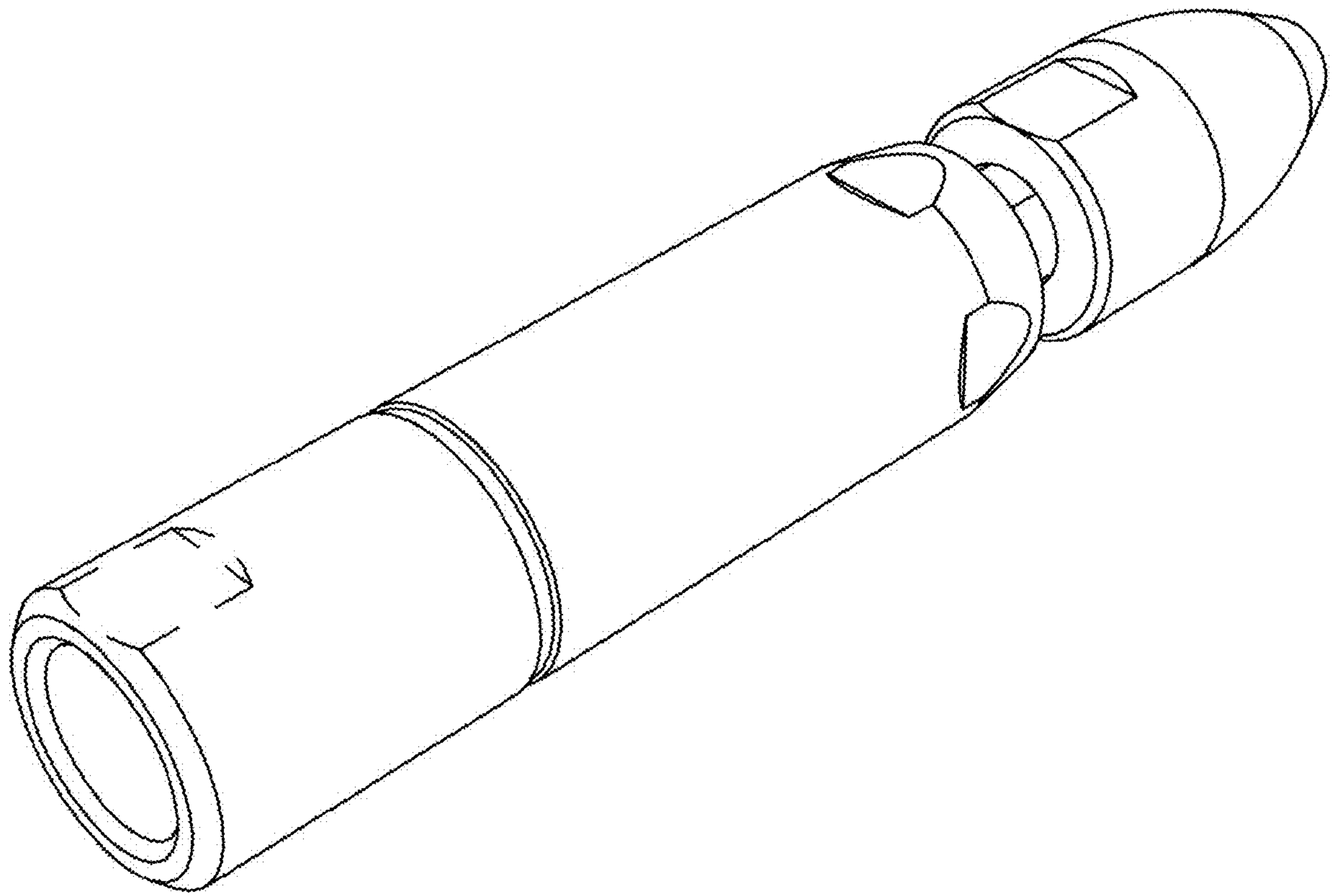
CREEXEON Chalco Sewer Jetter Nozzle, Nov. 23, 2017, amazon.com, Oct. 28, 2021, URL: <https://www.amazon.com/Chalco-4000psi-Jetter-Pressure-Connector/dp/B077PYSLQJ> (Year: 2017).\*

FEVERWORK  $\frac{3}{8}$  Inch  $\frac{1}{8}$  Inch  $\frac{1}{4}$  Inch High Pressure Drain Hose Nozzle, Jan. 14, 2019, amazon.co.uk, Oct. 28, 2021, URL: <https://www.amazon.co.uk/EsportsMJJ-Pressure-Nozzle-Cleaning-Jetter/dp/B07MGH2PQT> (Year: 2019).\*

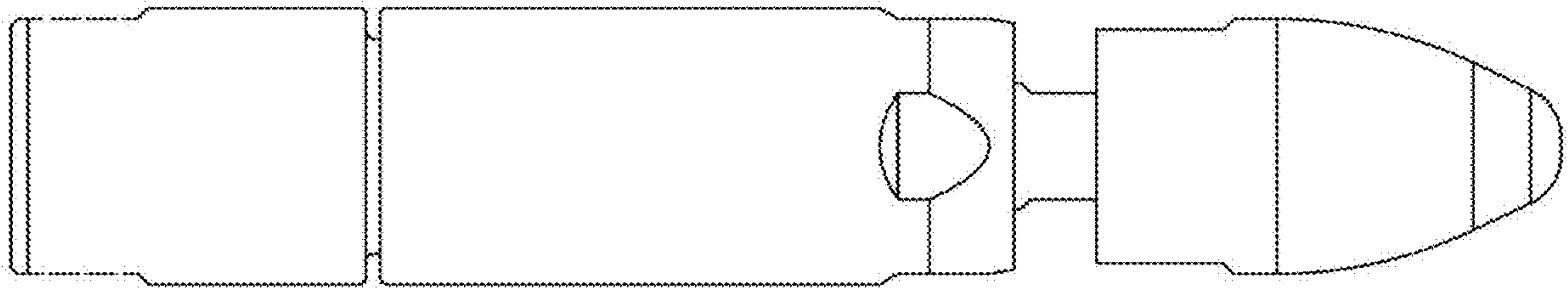
\* cited by examiner



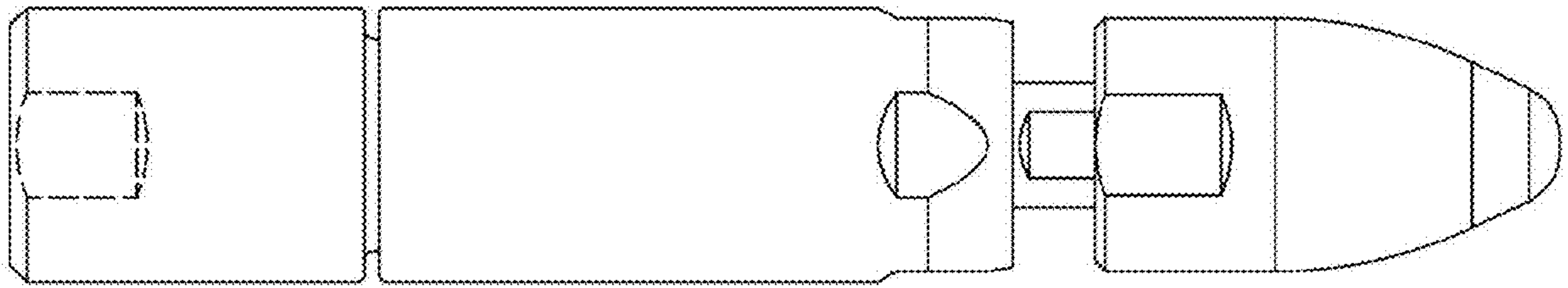
**FIG. 1**



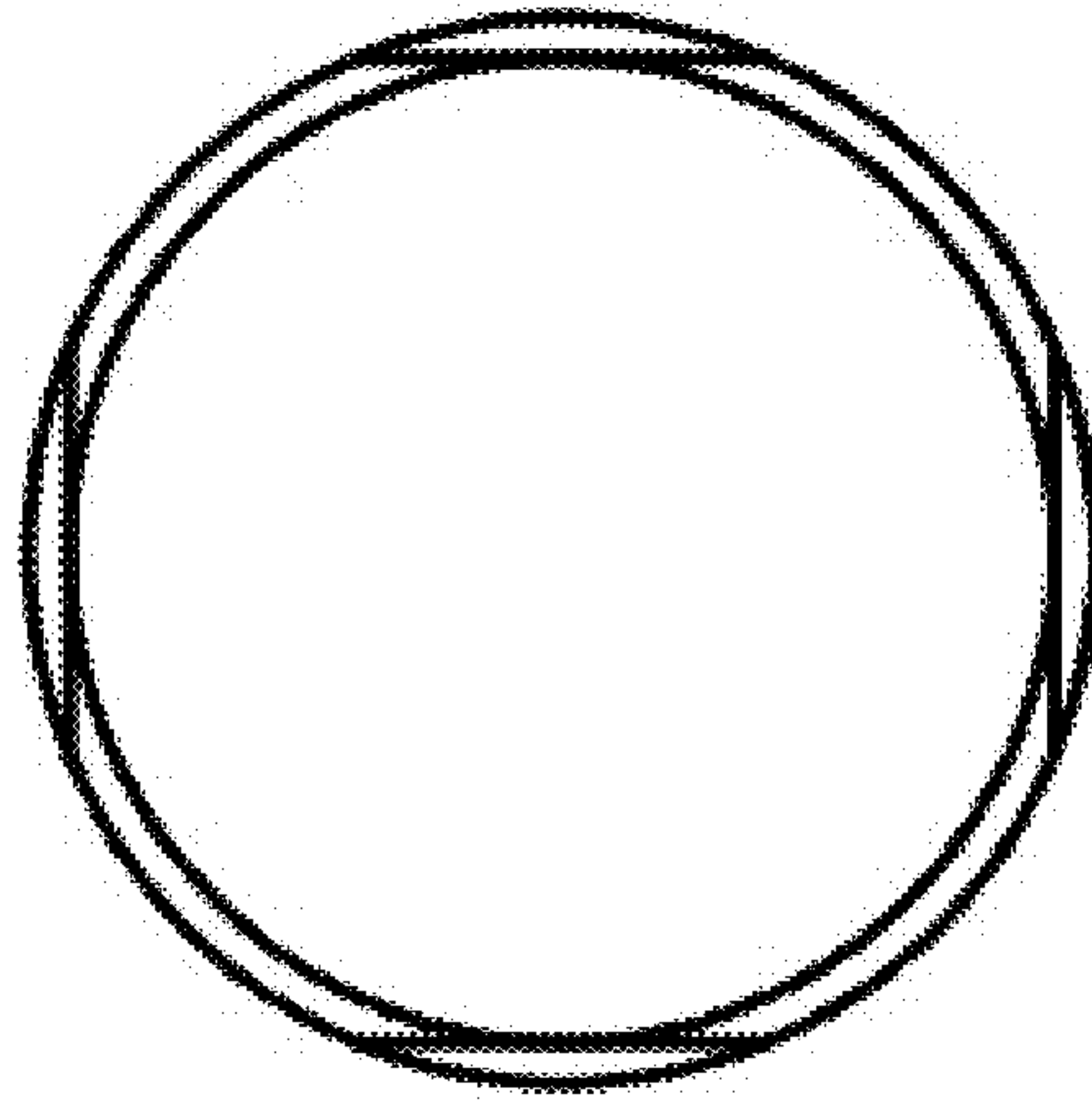
**FIG. 2**



**FIG. 3**

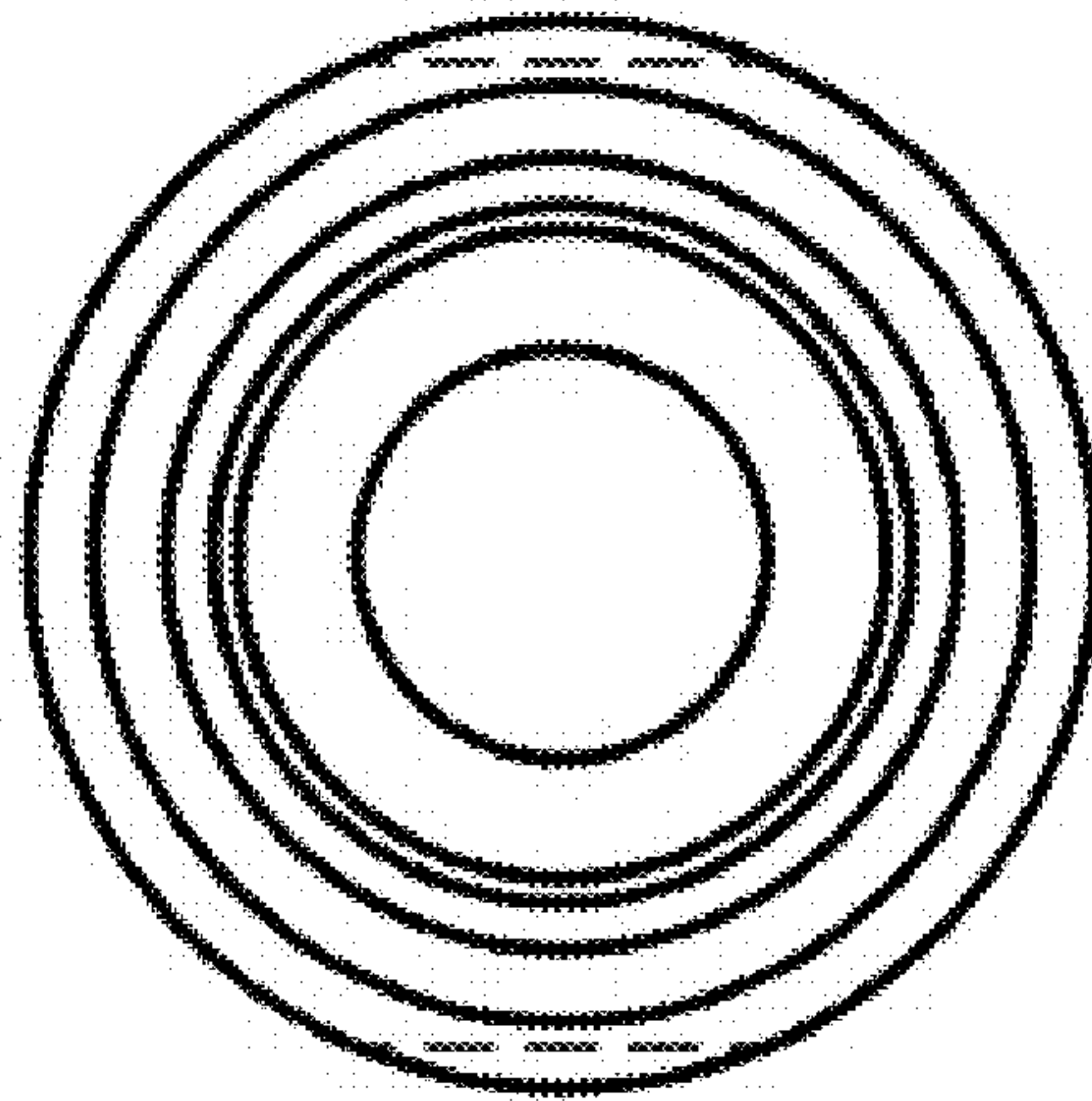


**FIG. 4**



**FIG. 5**





**FIG. 6**