

US00D960298S

(12) **United States Design Patent**
Hayner et al.

(10) **Patent No.:** **US D960,298 S**

(45) **Date of Patent:** **** Aug. 9, 2022**

(54) **FAUCET**

(71) Applicant: **Kohler Co.**, Kohler, WI (US)

(72) Inventors: **Tory L. Hayner**, Howards Grove, WI (US); **Gregory de Swarte**, Sheboygan, WI (US); **Drew Johnson**, Sheboygan, WI (US)

(73) Assignee: **KOHLER CO.**, Kohler, WI (US)

(**) Term: **15 Years**

(21) Appl. No.: **29/701,795**

(22) Filed: **Aug. 14, 2019**

Related U.S. Application Data

(62) Division of application No. 29/666,112, filed on Oct. 10, 2018, now Pat. No. Des. 863,506.

(51) **LOC (13) Cl.** **23-01**

(52) **U.S. Cl.**
USPC **D23/213**

(58) **Field of Classification Search**
USPC D23/207, 213, 214, 215, 223, 224, 226, D23/229, 230; D8/29
CPC A61H 9/0021; A61H 33/00; B05B 1/00; B05B 1/14; B05B 1/185; B05B 1/08; B05B 1/02; B05B 1/26; B05B 12/002; B05B 1/18; B05B 9/01
See application file for complete search history.

(56) **References Cited**

U.S. PATENT DOCUMENTS

- 4,437,103 A * 3/1984 Ikeda B41J 2/162 239/601
- D319,294 S 8/1991 Kohler, Jr.
- D420,726 S 2/2000 Slothower et al.
- D428,965 S 8/2000 Slothower
- D481,445 S 10/2003 Haug
- D497,295 S * 10/2004 McKnight D8/29

- D534,990 S * 1/2007 Zhou D23/238
- D557,380 S * 12/2007 Shieh D23/238
- D564,634 S 3/2008 Kirar
- D585,960 S 2/2009 Ko
- D587,343 S * 2/2009 Nobili D23/213
- D589,594 S * 3/2009 Lammel D23/238
- D605,260 S 12/2009 Allard
- D615,622 S 5/2010 Pan
- D627,441 S 11/2010 Sedwick
- D635,220 S 3/2011 Rubin et al.
- D635,221 S 3/2011 Rubin et al.
- D639,386 S * 6/2011 Cummings D23/213
- D651,284 S * 12/2011 Flowers D23/243

(Continued)

OTHER PUBLICATIONS

https://www.amazon.com/Kohler-K-24982-VS-Kitchen-Vibrant-Stainless/dp/B07MTFLKDW/ref=sr_1_17?dchild=1&keywords=kohler%2Bfaucet&qid=1594320949&sr=8-17&th=1 (Year: 2019).*

(Continued)

Primary Examiner — Keith J Wilson

(74) *Attorney, Agent, or Firm* — Foley & Lardner LLP

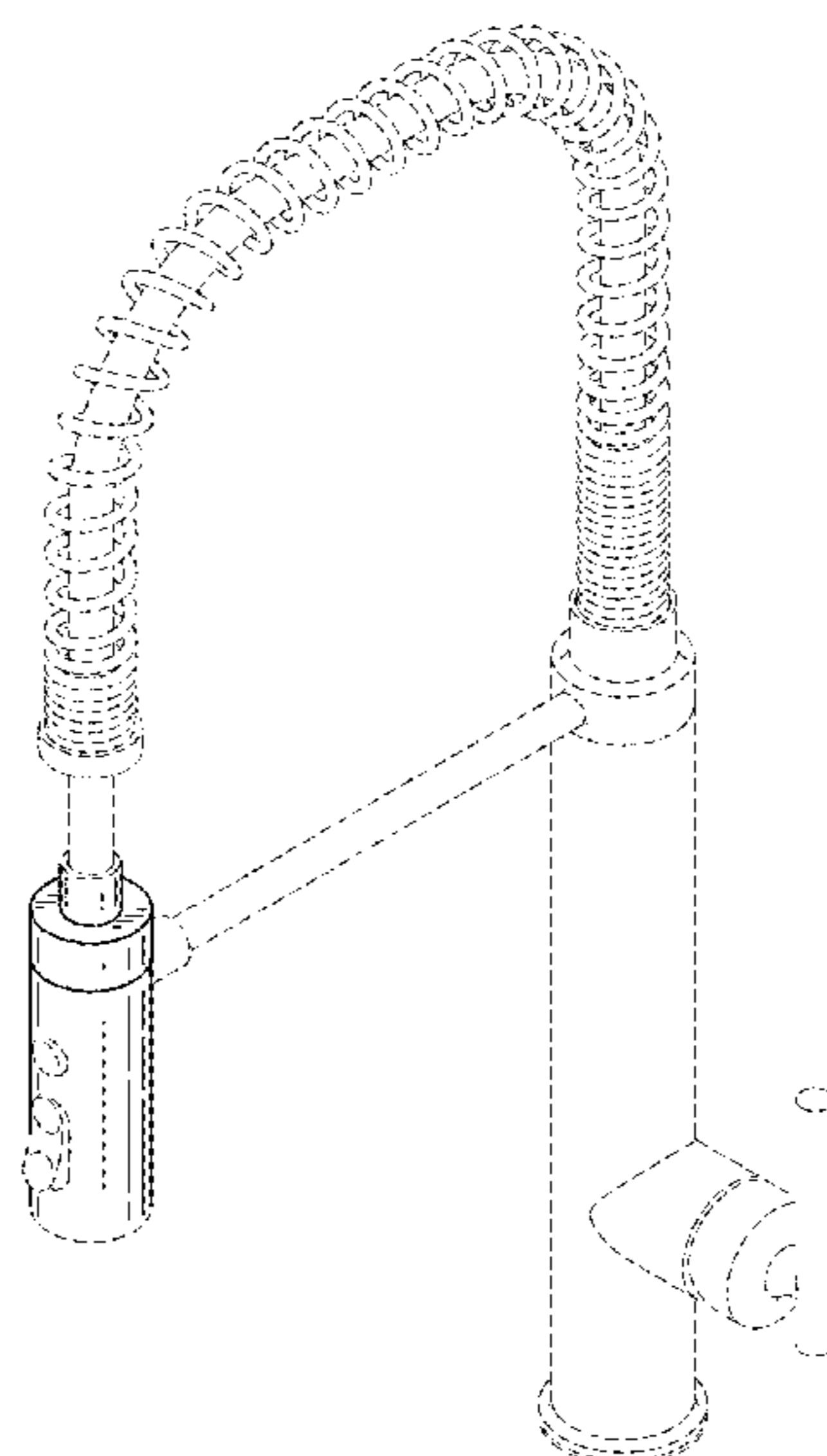
(57) **CLAIM**

We claim the ornamental design for a faucet, as shown and described.

DESCRIPTION

FIG. 1 is a perspective view of the claimed design; FIG. 2 is a side view of FIG. 1; FIG. 3 is another side view of FIG. 1; FIG. 4 is a front view of FIG. 1; FIG. 5 is a rear view of FIG. 1; FIG. 6 is a top view of FIG. 1; and, FIG. 7 is a bottom view of FIG. 1. The ornamental design which is claimed is shown in solid lines in the drawings. The broken lines in the drawings are for illustrative purposes only and form no part of the claimed design.

1 Claim, 5 Drawing Sheets



(56)

References Cited

U.S. PATENT DOCUMENTS

D652,489 S * 1/2012 Bosio D23/255
 D655,398 S * 3/2012 Bosio D23/255
 D657,024 S * 4/2012 Bosio D23/255
 D683,825 S 6/2013 Sofield
 8,713,725 B2 5/2014 Alder
 D735,298 S 7/2015 Eads
 D746,412 S 12/2015 Hanna et al.
 D786,404 S * 5/2017 Kaule D23/238
 D795,396 S * 8/2017 Kaule D23/255
 D795,397 S 8/2017 Clarke
 D802,091 S * 11/2017 Bahler D23/226
 D802,720 S 11/2017 Haug
 D804,615 S 12/2017 Seum
 D807,989 S * 1/2018 Kaule D23/213
 D812,195 S 3/2018 Clarke
 D835,238 S 12/2018 Ziemann
 D855,155 S * 7/2019 Stuart D23/238
 D861,832 S * 10/2019 Zeng D23/238
 D862,647 S * 10/2019 Zeng D23/238
 D862,648 S * 10/2019 Zeng D23/238
 D863,506 S * 10/2019 Hayner D23/238
 D864,356 S * 10/2019 Zhang D23/238
 D867,546 S * 11/2019 Kaule D23/255

D870,234 S * 12/2019 Judge D23/213
 D884,831 S * 5/2020 Liang D23/213
 D887,528 S * 6/2020 Liang D23/229
 D908,842 S * 1/2021 Johnson D23/226
 2016/0136659 A1* 5/2016 Erickson F16K 11/20
 239/443

OTHER PUBLICATIONS

https://www.amazon.com/Touchless-Automatic-Adapter-Autowater-Bathroom/dp/B07VS94FSB/ref=psdc_6808093011_t2_B082NN6B3F (Year: 2019).*
<https://www.teachoo.com/1900/552/Ex-13.2--6---A-solid-iron-pole-consists-of-a-cylinder-of-height/category/Ex-13.2/> (Year: 2018).*
 Touchless Automatic Faucet Motion Sensor Adapter Tap Autowater For Kitchen Bathroom Sink, Jul. 17, 2019, Amazon.com, Aug. 16, 2021. <https://www.amazon.com/Touchless-Automatic-Adapter-Autowater-Bathroom/dp/B07VS94FSB/> (Year: 2019).*
 Waternymph Hibbent Dual-function 2-Flow Kitchen Sink Sprayer Aerator, Jul. 3, 2017, Amazon.com, Aug. 16, 2021. URL: <https://www.amazon.com/Waternymph-Certified-Dual-function-360-Degree-Replacement/dp/B073PVBDLJ> (Year: 2017).*

* cited by examiner

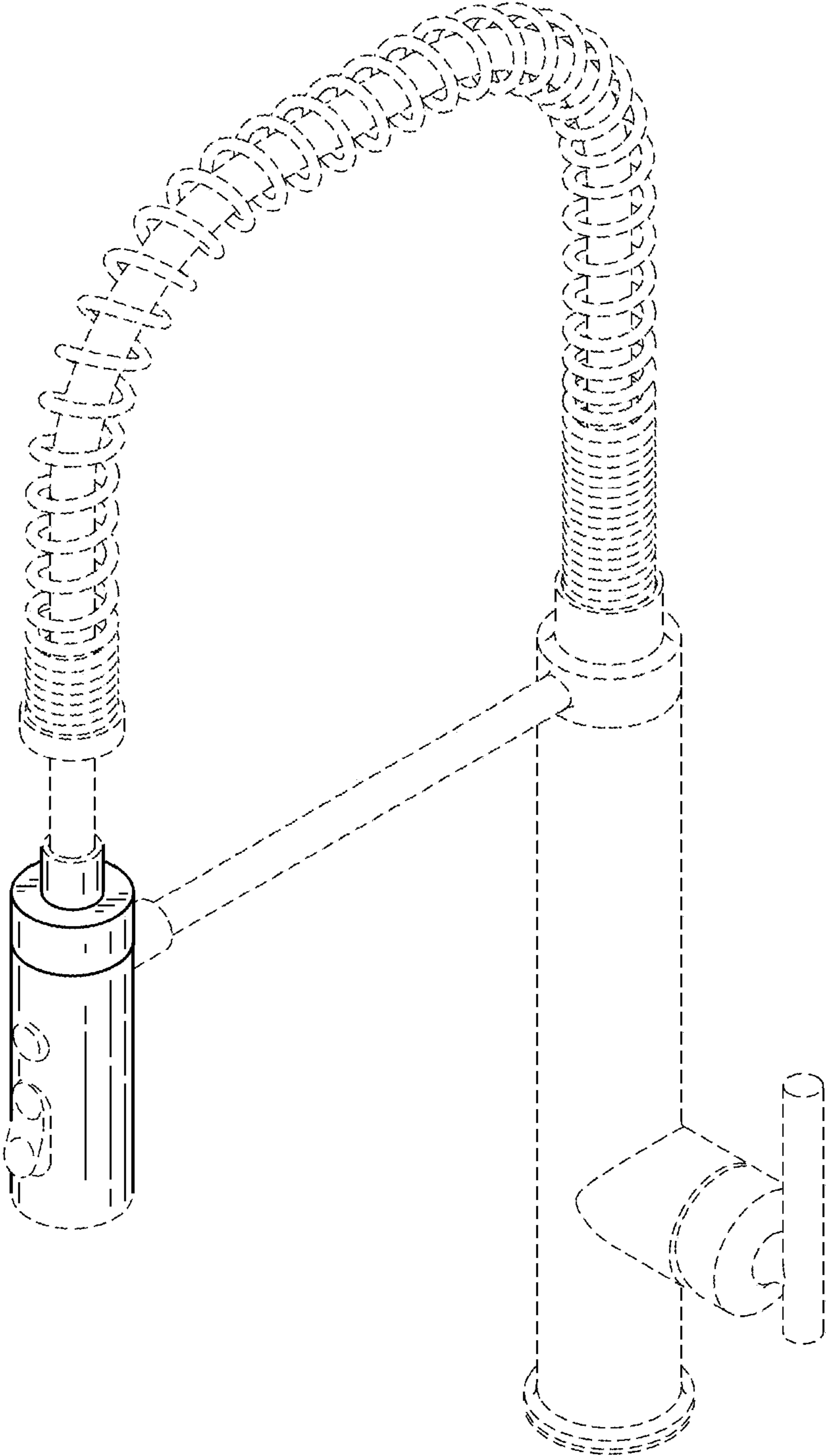


FIG. 1

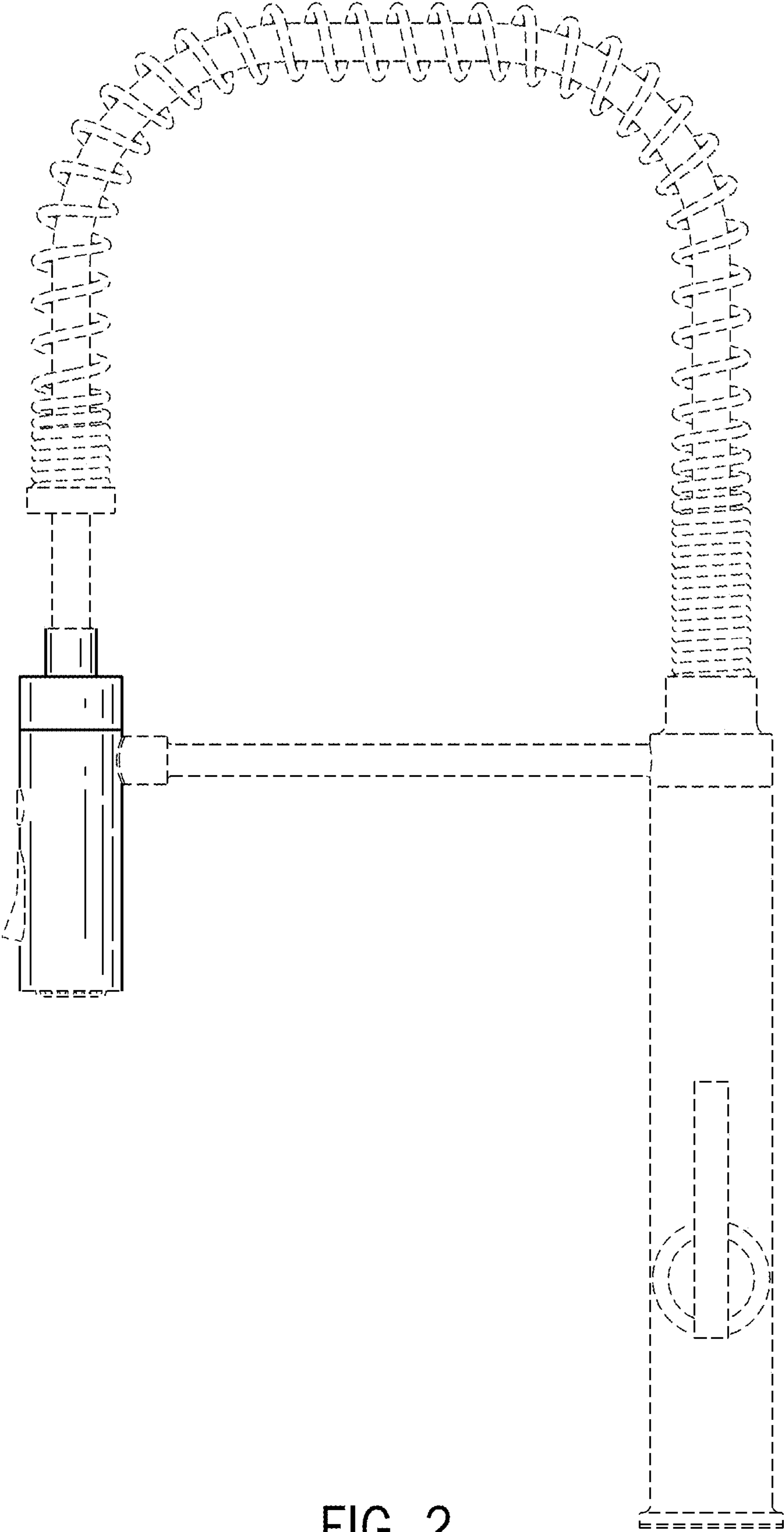


FIG. 2

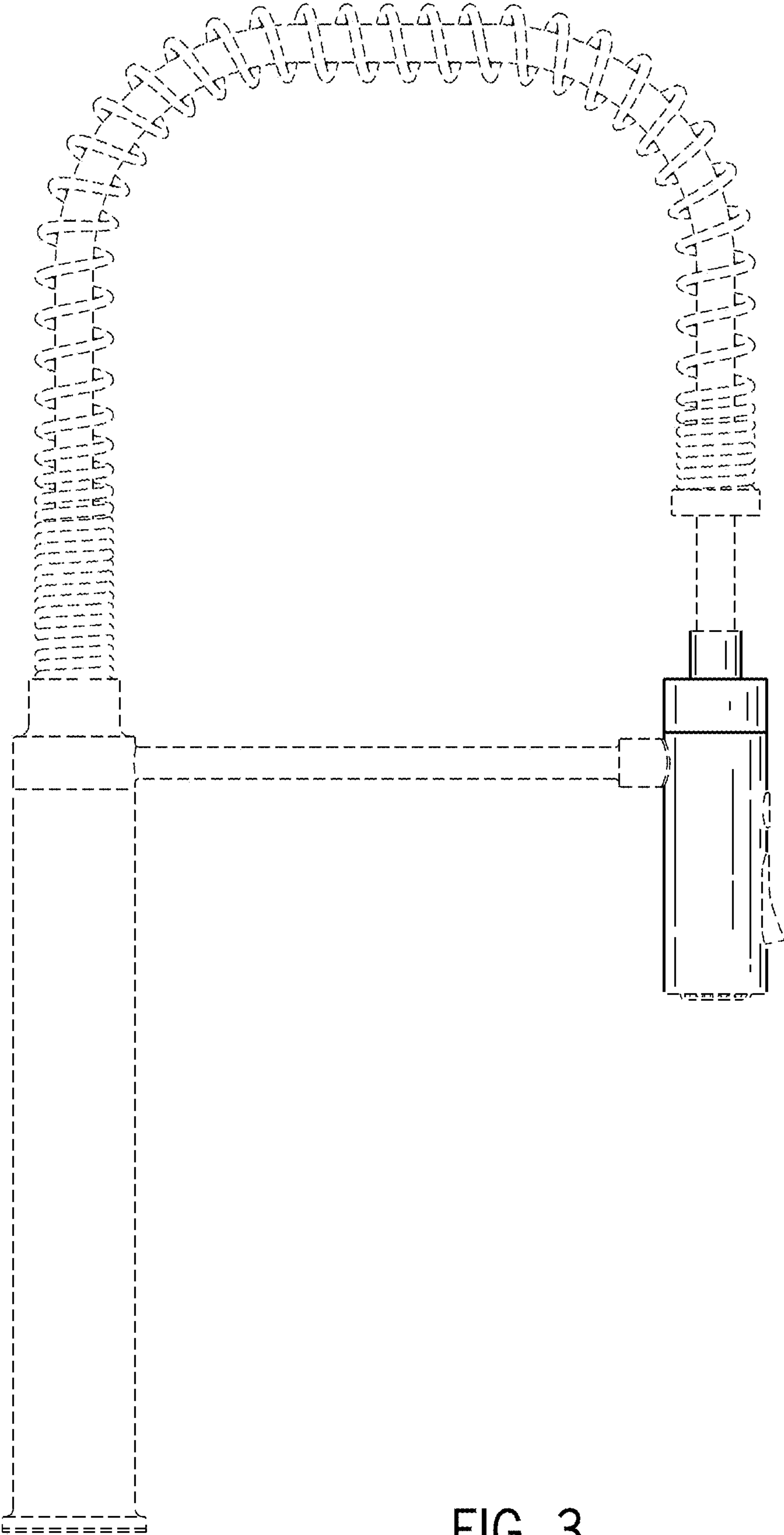


FIG. 3

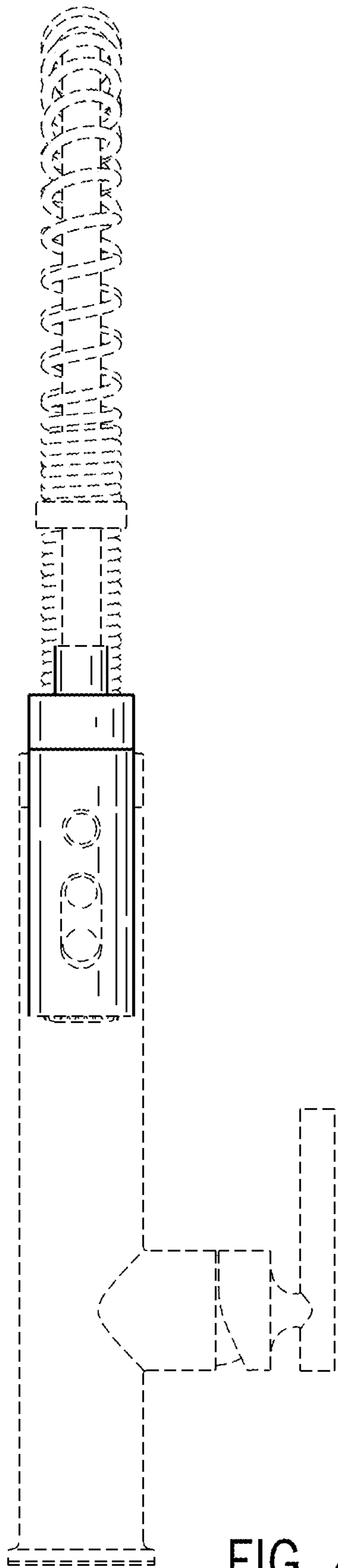


FIG. 4

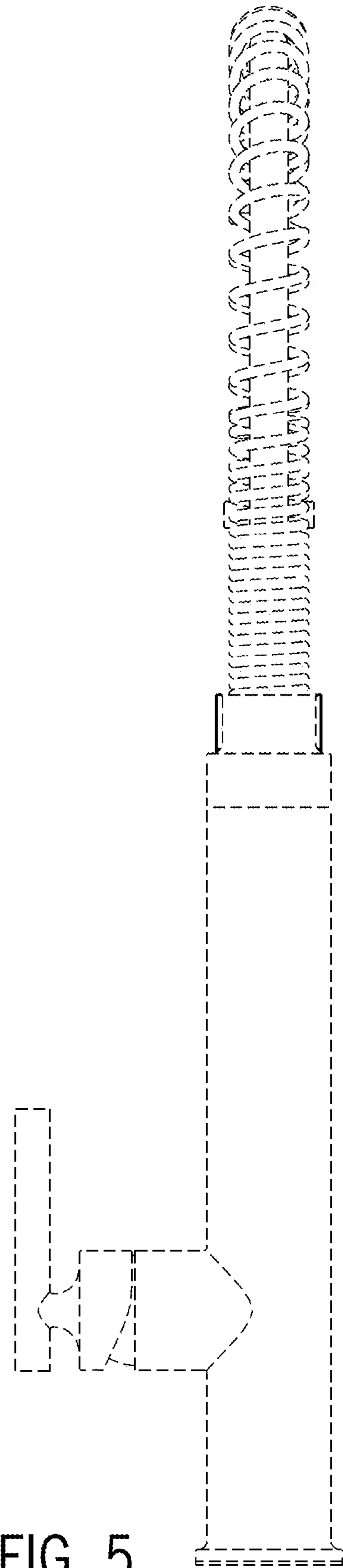


FIG. 5

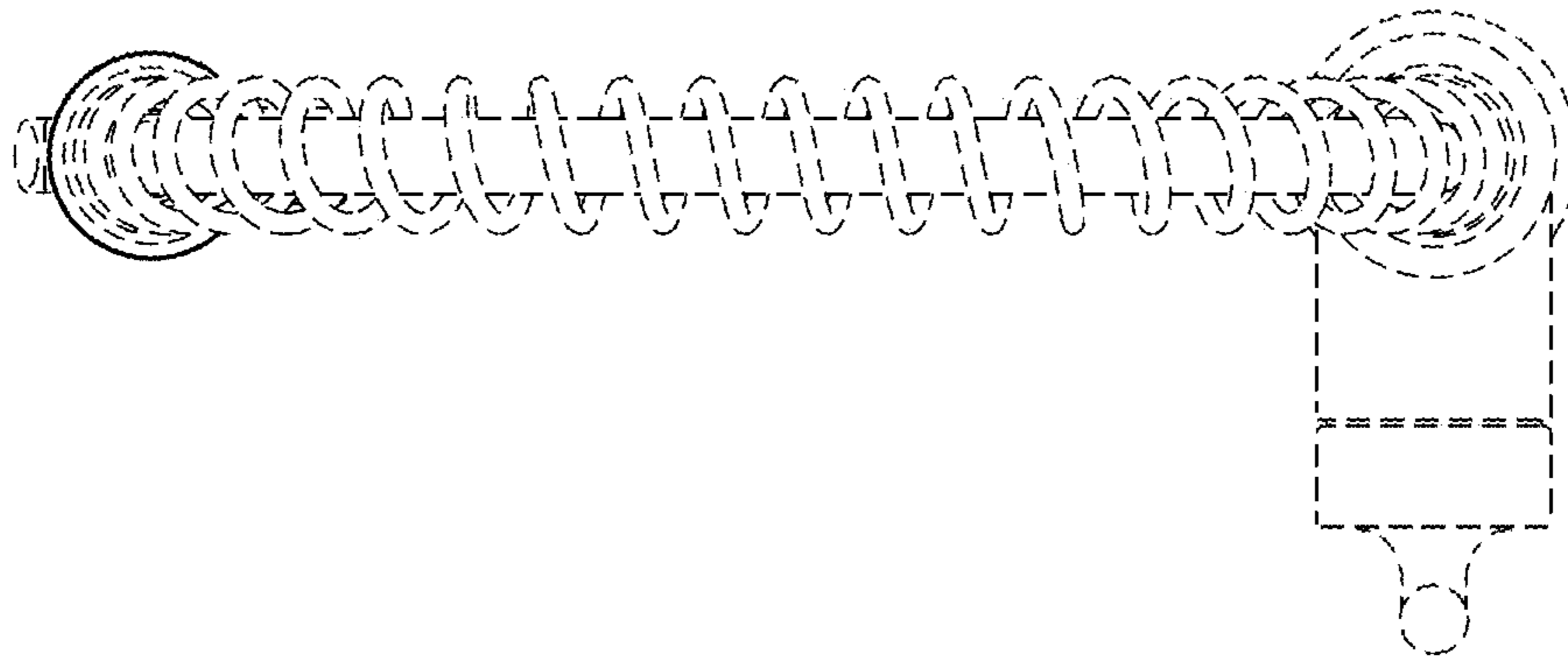


FIG. 6

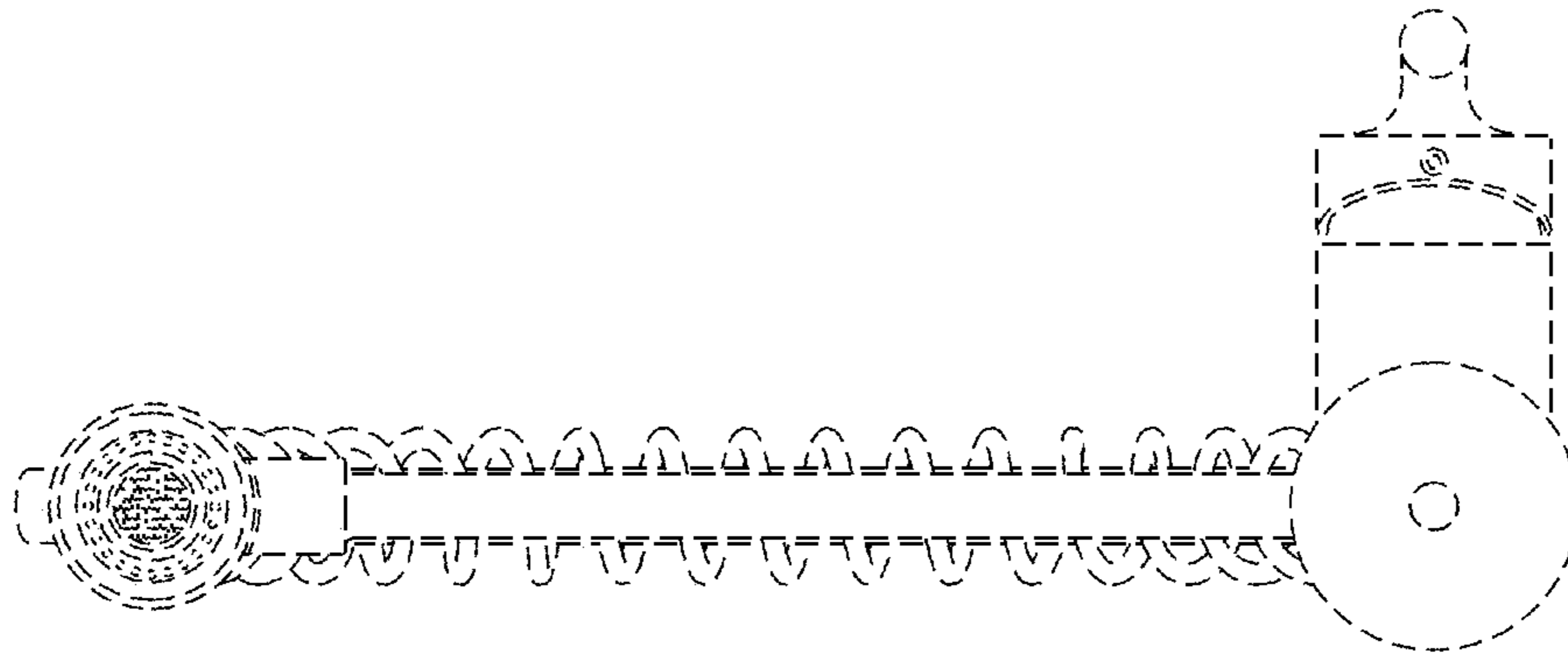


FIG. 7