

US00D960297S

(12) **United States Design Patent** (10) **Patent No.:** **US D960,297 S**
Stein et al. (45) **Date of Patent:** **** Aug. 9, 2022**

(54) **FLOW REGULATOR**
(71) Applicant: **NEOPERL GMBH**, Müllheim (DE)
(72) Inventors: **Alexander Stein**, Ihringen (DE); **Simon Twitchett**, Worcester (GB)
(73) Assignee: **NEOPERL GMBH**, Mullheim (DE)
(**) Term: **15 Years**
(21) Appl. No.: **29/699,120**
(22) Filed: **Jul. 23, 2019**

D536,417 S 2/2007 Buttgen
D539,391 S * 3/2007 Grether D23/249
D550,816 S * 9/2007 Grether D23/249
D550,817 S * 9/2007 Grether D23/249
D550,818 S * 9/2007 Grether D23/249
7,357,337 B2 * 4/2008 Ferrari E03C 1/08
239/428.5
7,374,366 B2 5/2008 Tasi
D591,403 S * 4/2009 Grether D23/249
D605,732 S * 12/2009 Stein D23/249
D612,911 S * 3/2010 Grether D23/249
7,731,107 B2 * 6/2010 Grether B05B 1/18
239/500
RE43,347 E * 5/2012 Grether D23/249
8,205,810 B2 * 6/2012 Lacher E03C 1/08
239/428.5

(Continued)

Related U.S. Application Data

(62) Division of application No. 29/614,607, filed on Aug. 21, 2017, now Pat. No. Des. 860,389, which is a division of application No. 29/556,970, filed on Mar. 4, 2016, now Pat. No. Des. 798,999.
(51) **LOC (13) Cl.** **23-01**
(52) **U.S. Cl.**
USPC **D23/213**
(58) **Field of Classification Search**
USPC D23/213, 214, 215, 223, 224, 226, 229,
D23/230
CPC A61H 9/0021; A61H 33/00; B05B 1/00;
B05B 1/14; B05B 1/185; B05B 1/08;
B05B 1/02; B05B 1/26; B05B 12/002;
B05B 1/18; B05B 9/01
See application file for complete search history.

OTHER PUBLICATIONS

Moen 137401 Eco-Performance Aerator Flow Restrictor, Feb. 2, 2011, amazon.ca, Mar. 18, 2022, URL: <https://www.amazon.ca/Moen-137401-Replacement-Part/dp/B002FB7M7Q/> (Year: 2011).*
(Continued)

Primary Examiner — Keith J Wilson
(74) *Attorney, Agent, or Firm* — Volpe Koenig

(57) **CLAIM**

The ornamental design for a flow regulator, as shown and described.

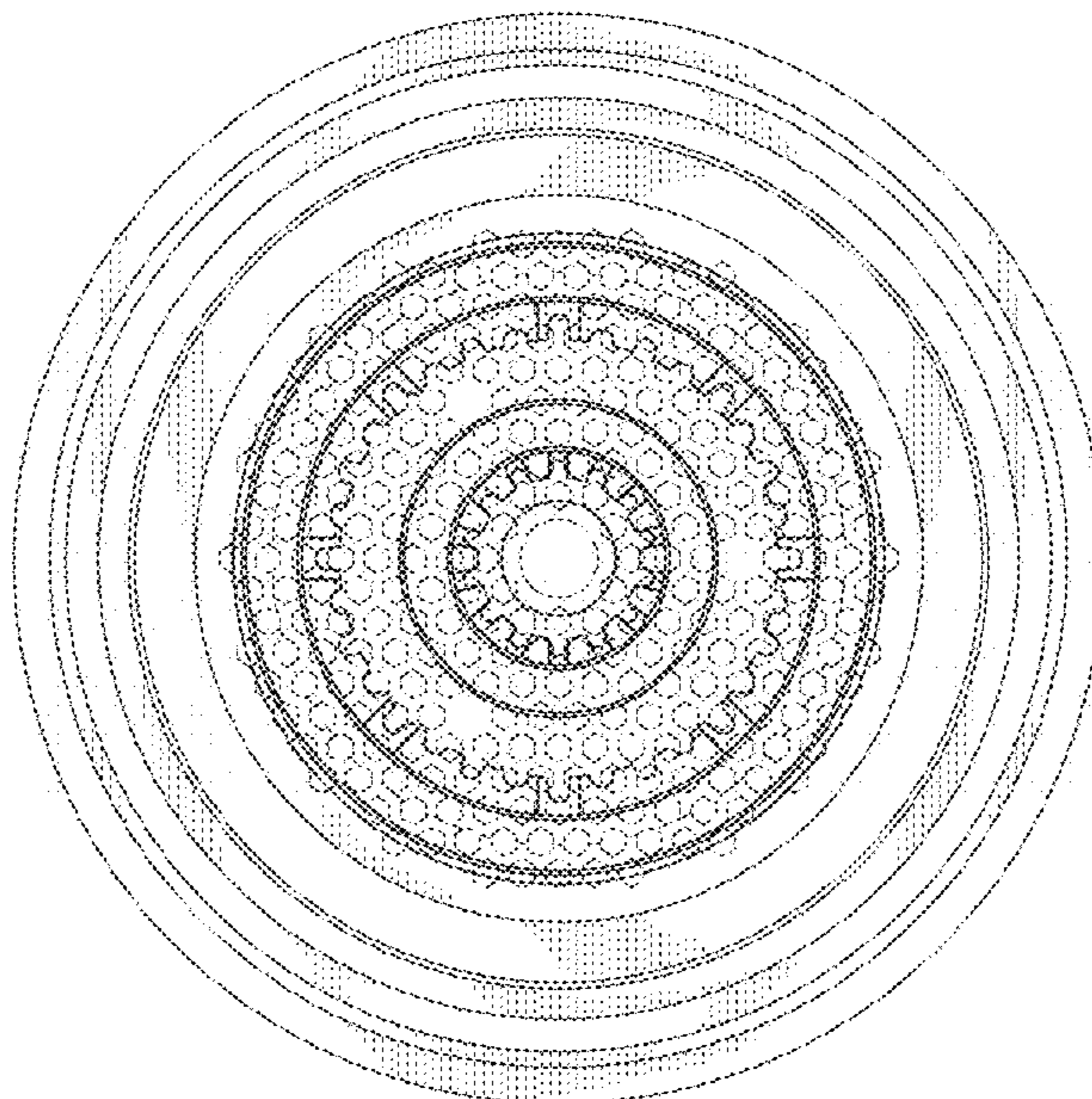
DESCRIPTION

FIG. 1 is a top plan view of the flow regulator of our design; FIG. 2 is a top isometric view thereof; FIG. 3 is a bottom view thereof; FIG. 4 is a bottom isometric view thereof; FIG. 5 is a front elevational view thereof; and, FIG. 6 is a rear elevational view thereof.

1 Claim, 6 Drawing Sheets

(56) **References Cited**
U.S. PATENT DOCUMENTS

5,467,929 A 11/1995 Bosio
6,029,912 A 2/2000 Woolley
6,126,093 A * 10/2000 Grether E03C 1/08
239/428.5
D435,632 S 12/2000 Allison



(56)

References Cited

U.S. PATENT DOCUMENTS

8,328,119 B2 * 12/2012 Grether B05B 1/1609
239/428.5
D676,525 S 2/2013 Jones
D688,774 S * 8/2013 Tempel D23/213
D721,417 S 1/2015 Sawchuck
D728,740 S * 5/2015 Tempel D23/213
D752,710 S * 3/2016 Tempel D23/213
D762,814 S 8/2016 Sawchuck
9,404,596 B2 8/2016 Chen
9,416,522 B2 * 8/2016 Tempel E03C 1/08
D776,240 S * 1/2017 Huang D23/213
D777,879 S 1/2017 Sawchuck
9,580,893 B2 * 2/2017 Blum B05B 1/16
D788,264 S * 5/2017 Stein D23/213
9,637,896 B2 5/2017 Tempel
D788,881 S * 6/2017 Birmelin D23/213
D812,722 S * 3/2018 Blum D23/249
10,017,924 B2 7/2018 Zoller et al.

D833,583 S * 11/2018 Birmelin D23/260
D834,153 S * 11/2018 Tempel D23/260
D844,747 S * 4/2019 Blum D23/213
D849,888 S * 5/2019 Schurle D23/213
D866,709 S * 11/2019 Schurle D23/213
D894,338 S * 8/2020 Lai D23/213
D895,065 S * 9/2020 Lai D23/213
11,235,340 B2 * 2/2022 Kiefer B05B 1/185
D944,920 S * 3/2022 Lai D23/213
D944,921 S * 3/2022 Lai D23/213
D944,922 S * 3/2022 Lai D23/213
2020/0224395 A1 * 7/2020 Stein E03C 1/084

OTHER PUBLICATIONS

Delta Faucet RP51345 Lahara Aerator, One Size, Blue, Oct. 10, 2010, amazon.ca, Mar. 18, 2022, URL: <https://www.amazon.ca/Delta-Faucet-RP51345-Lahara-Aerator/dp/B002Q42IW6/> (Year: 2010).*

* cited by examiner

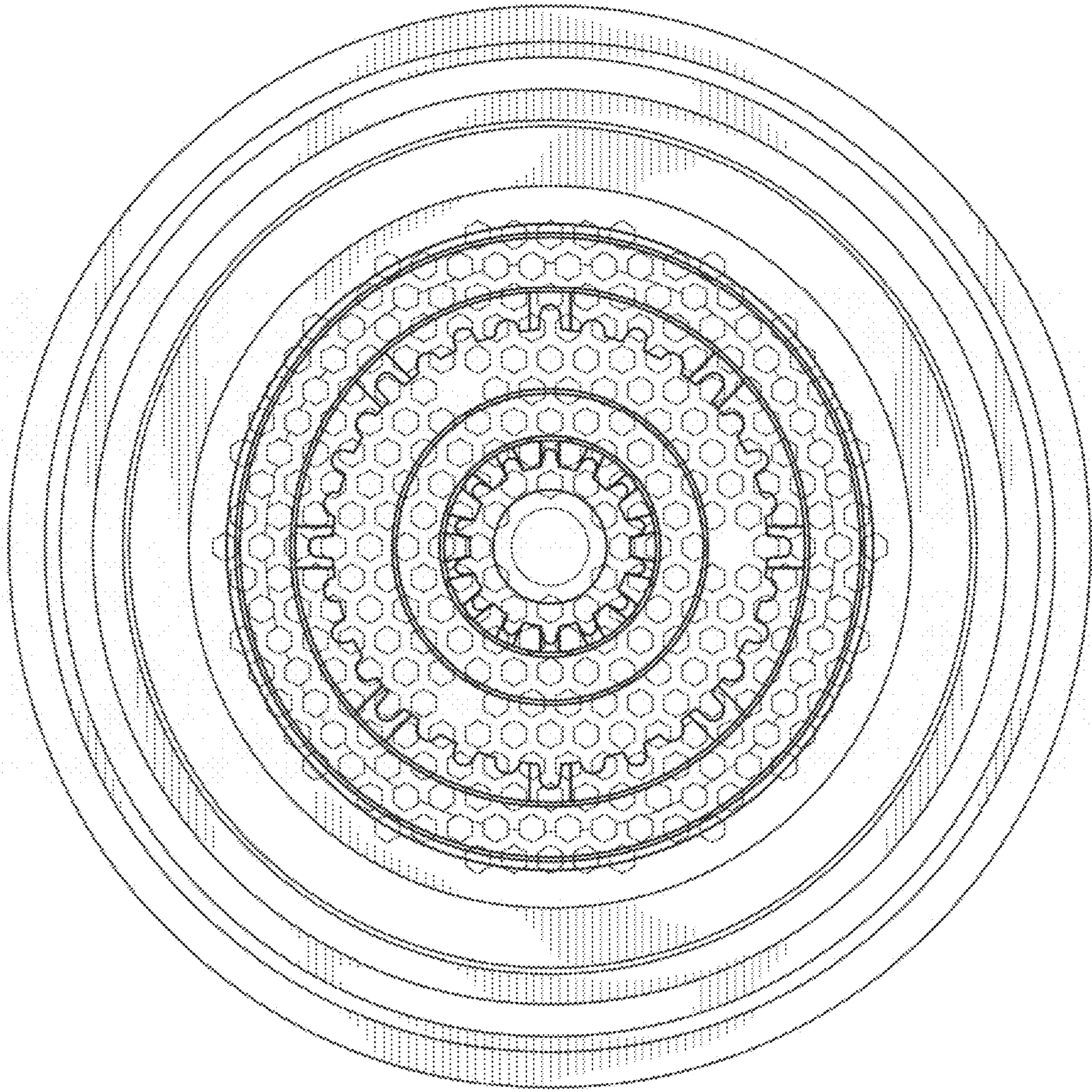


FIG. 1

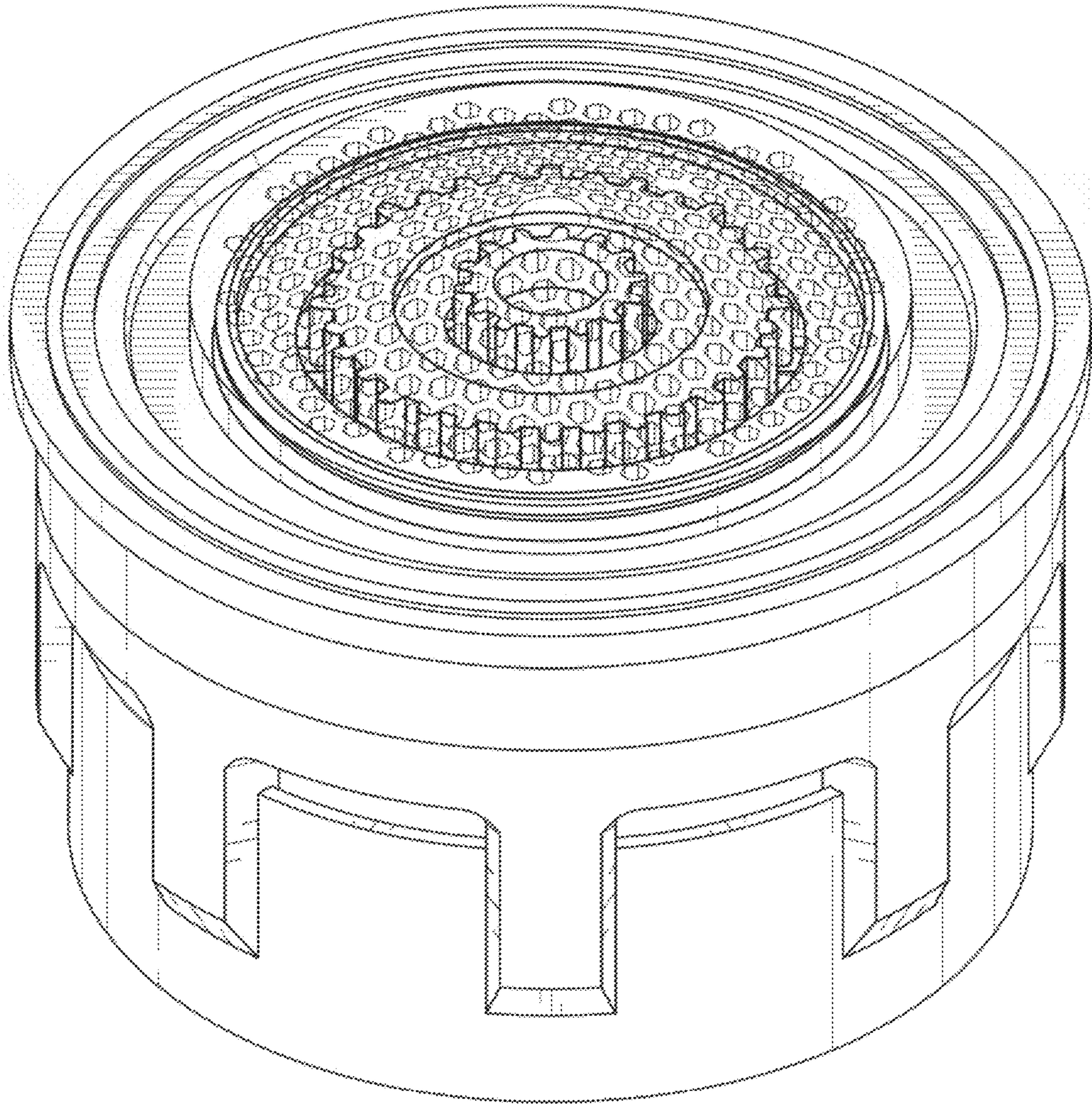


FIG. 2

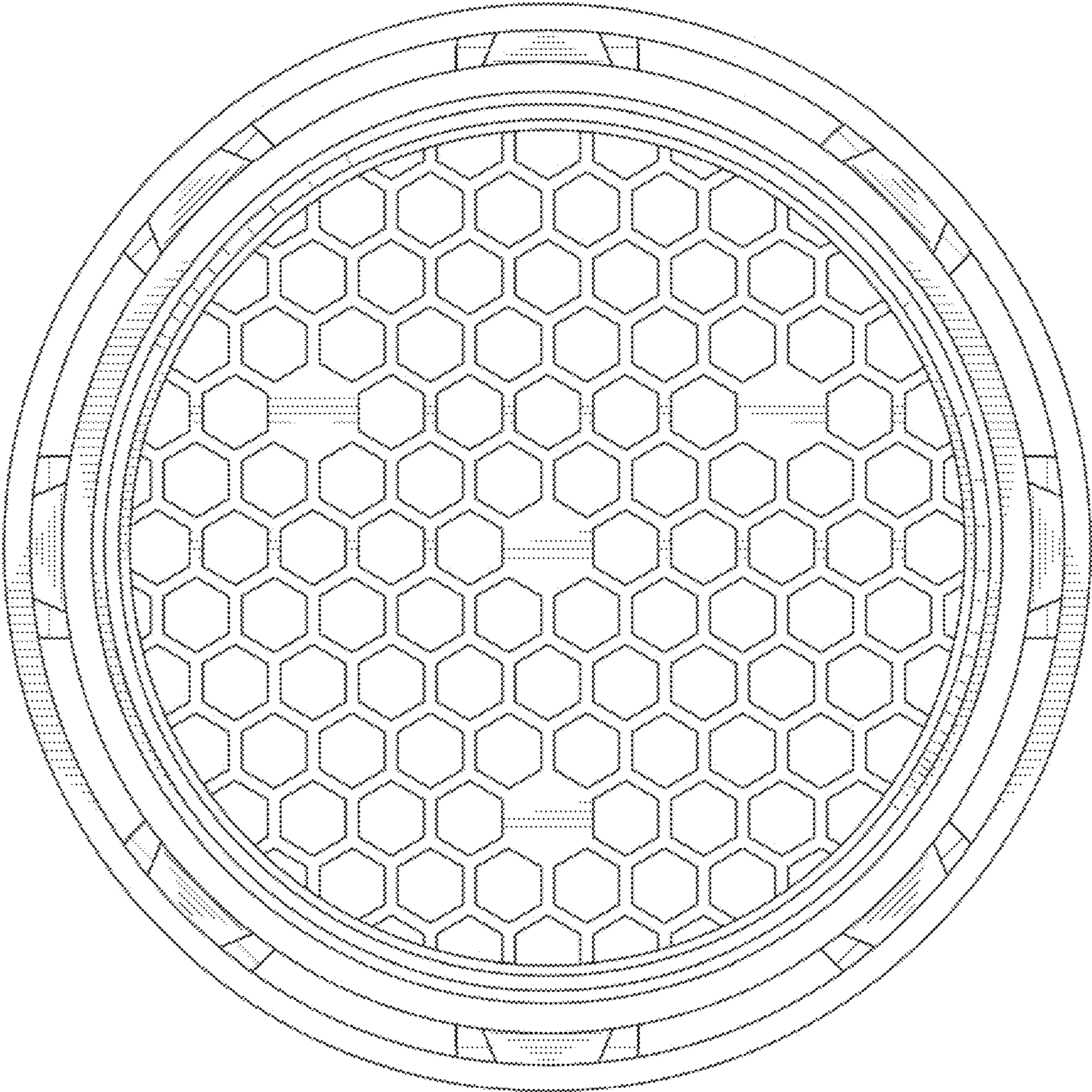


FIG. 3

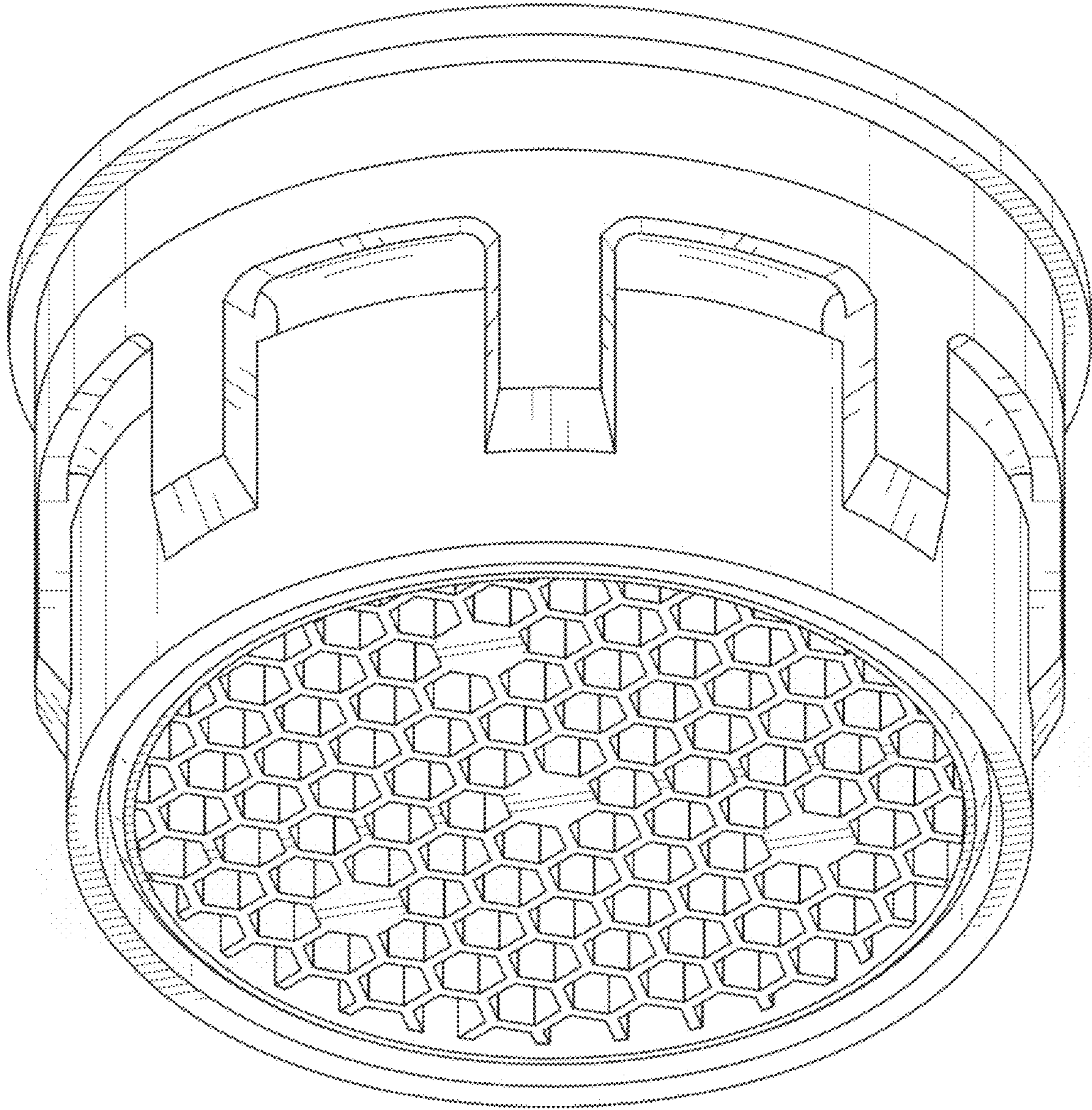


FIG. 4

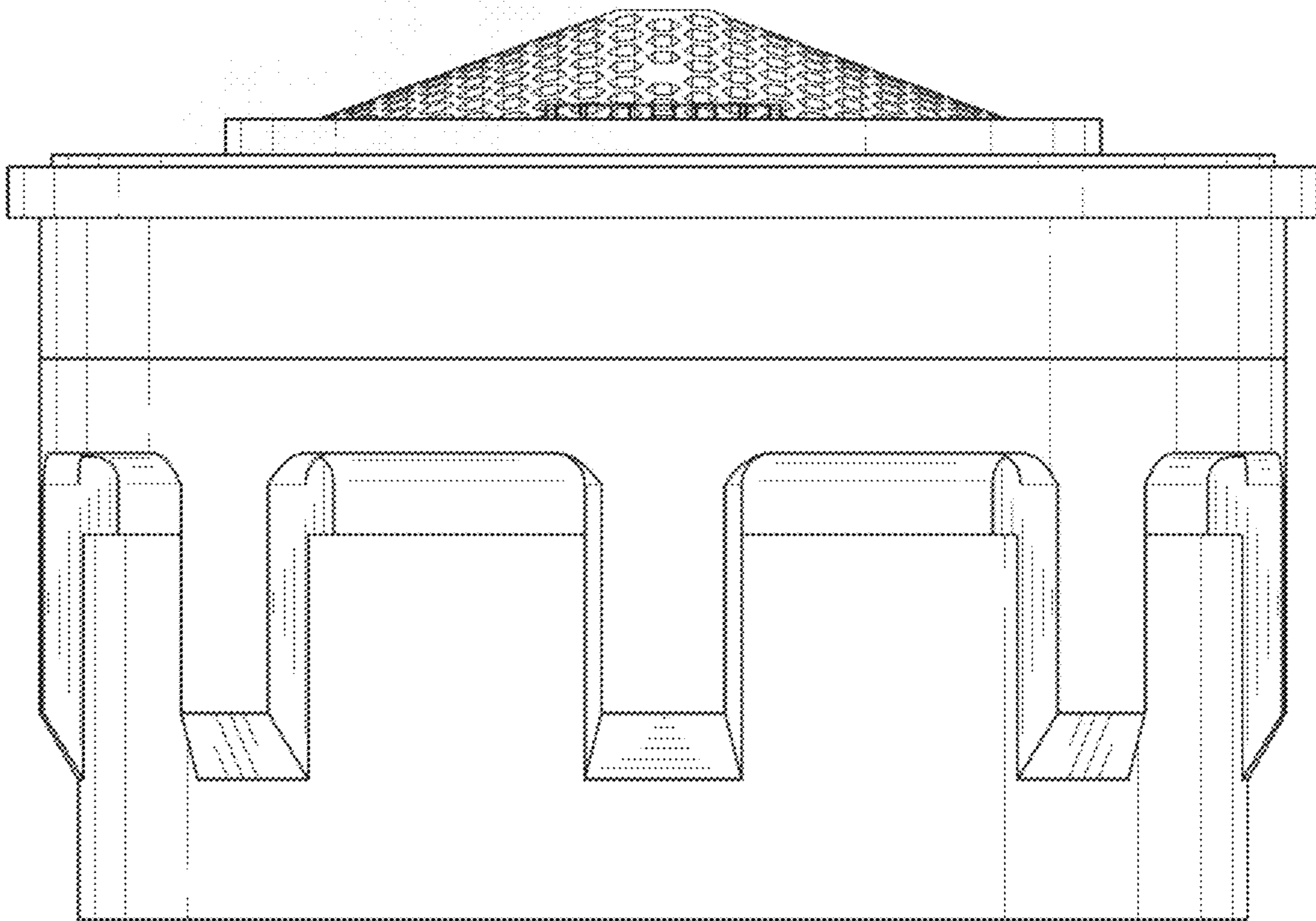


FIG. 5

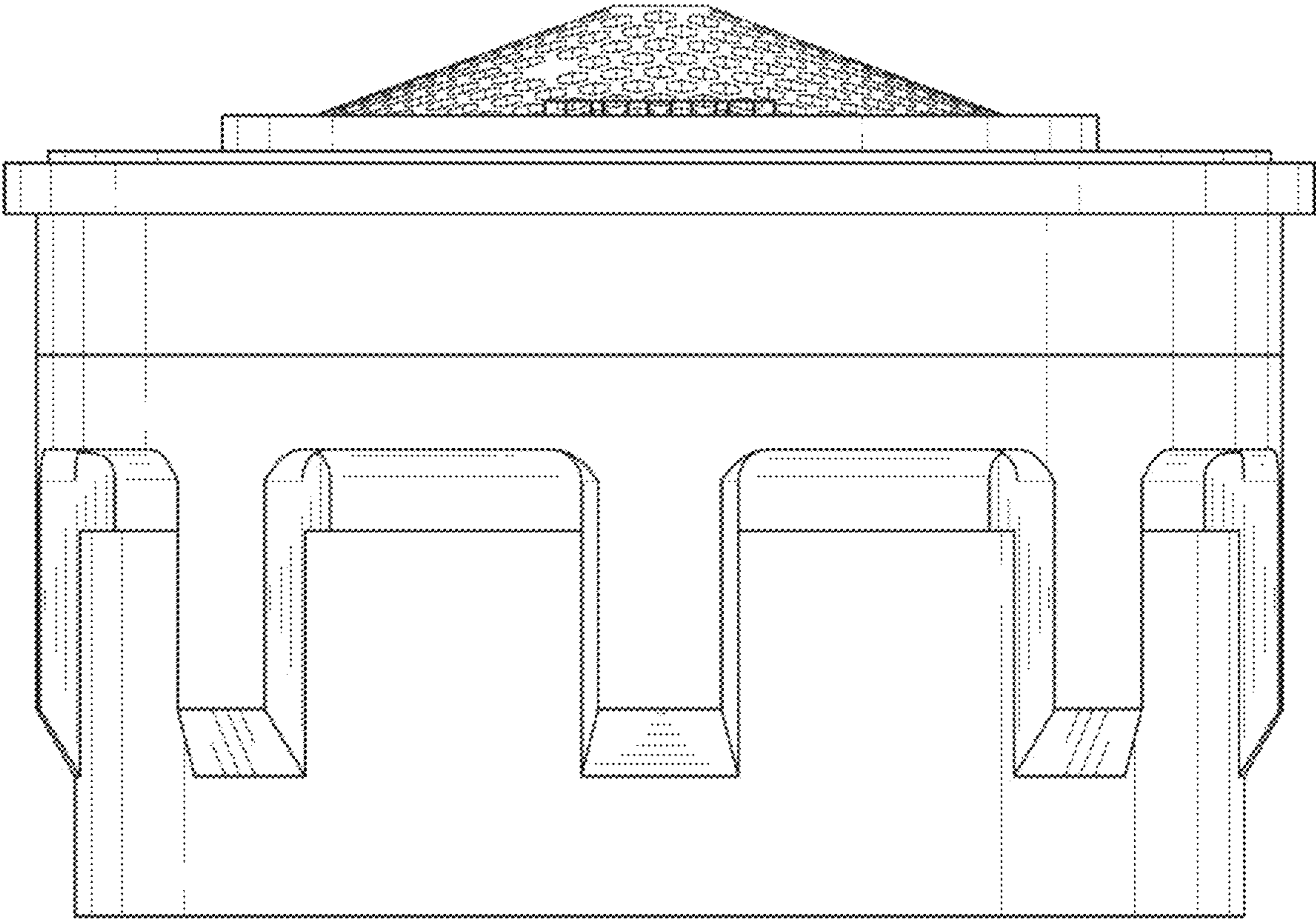


FIG. 6