



US00D960296S

(12) **United States Design Patent** (10) **Patent No.:** **US D960,296 S**
Corpuz, Jr. et al. (45) **Date of Patent:** **** Aug. 9, 2022**

(54) **SHOWER DEVICE**

(71) Applicant: **Kohler Co.**, Kohler, WI (US)
(72) Inventors: **Roque M. Corpuz, Jr.**, Sheboygan, WI (US); **Brandon H. Miller**, Sheboygan, WI (US)

(73) Assignee: **KOHLER CO.**, Kohler, WI (US)

(**) Term: **15 Years**

(21) Appl. No.: **29/695,578**

(22) Filed: **Jun. 20, 2019**

(51) **LOC (13) Cl.** **23-01**

(52) **U.S. Cl.**
USPC **D23/213**

(58) **Field of Classification Search**
USPC D23/213, 214, 215, 223, 224, 226, 229, D23/230

CPC A61H 9/0021; A61H 33/00; B05B 1/00; B05B 1/14; B05B 1/185; B05B 1/08; B05B 1/02; B05B 1/26; B05B 12/002; B05B 1/18; B05B 9/01

See application file for complete search history.

(56) **References Cited**

U.S. PATENT DOCUMENTS

6,446,278	B1	9/2002	Lin	
6,594,832	B2	7/2003	Yang	
D578,604	S *	10/2008	Wu	D23/223
D659,797	S *	5/2012	Farley	D23/223
8,205,846	B2	6/2012	Glunk	
D694,856	S	12/2013	Madsen	
8,713,725	B2	5/2014	Alder et al.	
D710,973	S	8/2014	Madsen	
D730,488	S	5/2015	Harwanko	
D736,348	S *	8/2015	Tan	D23/213

(Continued)

OTHER PUBLICATIONS

TOTO TBW01019U2#CP Showerheads, Polished Chrome, Feb. 13, 2019, amazon.ca, Mar. 17, 2022, URL: https://www.amazon.ca/dp/B07DWG7BG6/ref=sbl_dpx_ca-home-improvement-bathroom-handheld-showerheads_B09SZ9DBZJ_0 (Year: 2019).*

(Continued)

Primary Examiner — Keith J Wilson

(74) *Attorney, Agent, or Firm* — Foley & Lardner LLP

(57) **CLAIM**

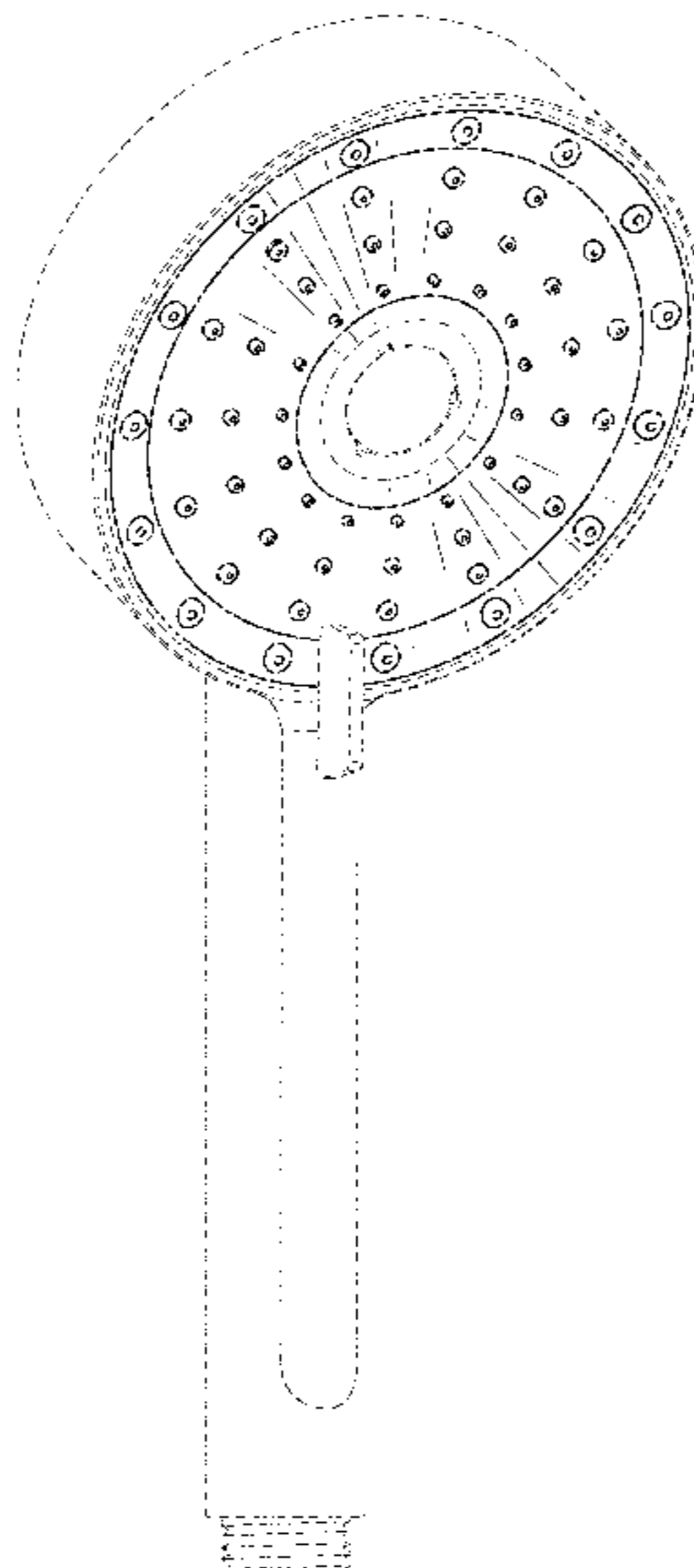
We claim the ornamental design for a shower device, as shown and described.

DESCRIPTION

FIG. 1 is a perspective view of the claimed design; FIG. 2 is a front view of the claimed design shown in FIG. 1; FIG. 3 is a rear view of the claimed design shown in FIG. 1; FIG. 4 is side view of the claimed design shown in FIG. 1; FIG. 5 is another side view of the claimed design shown in FIG. 1; FIG. 6 is the top view of the claimed design shown in FIG. 1; FIG. 7 is the bottom view of the claimed design shown in FIG. 1; and, FIG. 8 is a cross-sectional view of the claimed design shown in FIG. 1 taken along line 8-8 in FIG. 2.

The ornamental design that is claimed is shown in the drawings as solid lines and surfaces having surface shading: The broken lines in the drawings are for illustrative purposes only and form no part of the claimed design. For example, broken lines formed by equal length dashes show unclaimed portions of the design. Broken lines formed of unequal length dashes (i.e., dash-dot) show boundaries between either claimed and unclaimed portions of the design or between unclaimed and unclaimed portions of the design.

1 Claim, 7 Drawing Sheets



(56)

References Cited

U.S. PATENT DOCUMENTS

D749,694	S	2/2016	Madsen	
9,677,257	B2	6/2017	Andersen et al.	
D822,157	S	7/2018	L'Henaff et al.	
D842,967	S *	3/2019	Farley	D23/213
D861,129	S	9/2019	Logar	
D864,350	S *	10/2019	Logar	D23/223
D879,246	S	3/2020	Eads	
D888,195	S *	6/2020	Cocks	D23/213
D890,298	S *	7/2020	Pixton	D23/213
D892,268	S *	8/2020	Wang	D23/213
D901,632	S *	11/2020	Wu	D23/223
D901,633	S *	11/2020	Wang	D23/223
D908,836	S *	1/2021	Wu	D23/213
11,000,860	B2 *	5/2021	Wu	B05B 12/00
11,014,115	B2 *	5/2021	Huang	B05B 1/185
D930,790	S *	9/2021	Yan	D23/223
D934,381	S	10/2021	Salvador et al.	
D934,990	S *	11/2021	Seum	D23/213
D934,994	S *	11/2021	Fantini	D23/213
D938,550	S *	12/2021	Downey	D23/213
2007/0022528	A1	2/2007	Gilbert	
2013/0320116	A1	12/2013	Jonte et al.	
2017/0014849	A1	1/2017	Gao et al.	
2017/0173603	A1	6/2017	Lin et al.	
2017/0191249	A1	7/2017	Chen et al.	
2018/0104707	A1	4/2018	Lin et al.	
2021/0129162	A1 *	5/2021	Quinn	B05B 3/04
2021/0187520	A1 *	6/2021	Hofman	B05B 1/3436

OTHER PUBLICATIONS

Grohe 2757120E Tempesta Cosmopolitan 100 1.5 GPM 2 Spray Hand Shower, Starlight Chrome, Apr. 11, 2018, amazon.ca, Mar. 17, 2022, URL: https://www.amazon.ca/dp/B075RC834J/ref=sbl_dpx_ca-home-improvement-bathroom-handheld-showerheads_B097BKN3BS_0 (Year: 2018).*

Luxury High Pressure 5" Face 6 Setting Detachable Handheld Shower Head, Jul. 25, 2018, amazon.ca, Mar. 17, 2022, URL: <https://www.amazon.ca/Pressure-Detachable-Handheld-Stretches-Adjustable/dp/B07FLYBBGR/> (Year: 2018).*

5-Setting High Pressure Shower Head Set, Rainfall Shower Combo Rain Shower Head, Jul. 20, 2020, amazon.ca, Mar. 31, 2022, URL: <https://www.amazon.ca/5-Setting-Pressure-Rainfall-Handheld-Sprayer/dp/B08D91CFZB/> (Year: 2020).

Delta 59361-PK Hand Shower 1.75 GPM 4-Setting Handshower, Chrome, Sep. 11, 2020, amazon.ca, Mar. 31, 2022, URL: https://www.amazon.ca/dp/B0855HYQ6H/ref=sbl_dpx_ca-home-improvement-bathroom-handheld-showerheads_B09SZB7CRQ_0 (Year: 2020).

Waterpik High Pressure Handheld Wand and Rain Shower Head Combo, Oct. 15, 2018, amazon.ca, Mar. 31, 2022, URL: <https://www.amazon.ca/Waterpik-YHW-433E-SBW-383ME-BodyWand-System-Shower/dp/B07JW54CS1/> (Year: 2018).

* cited by examiner

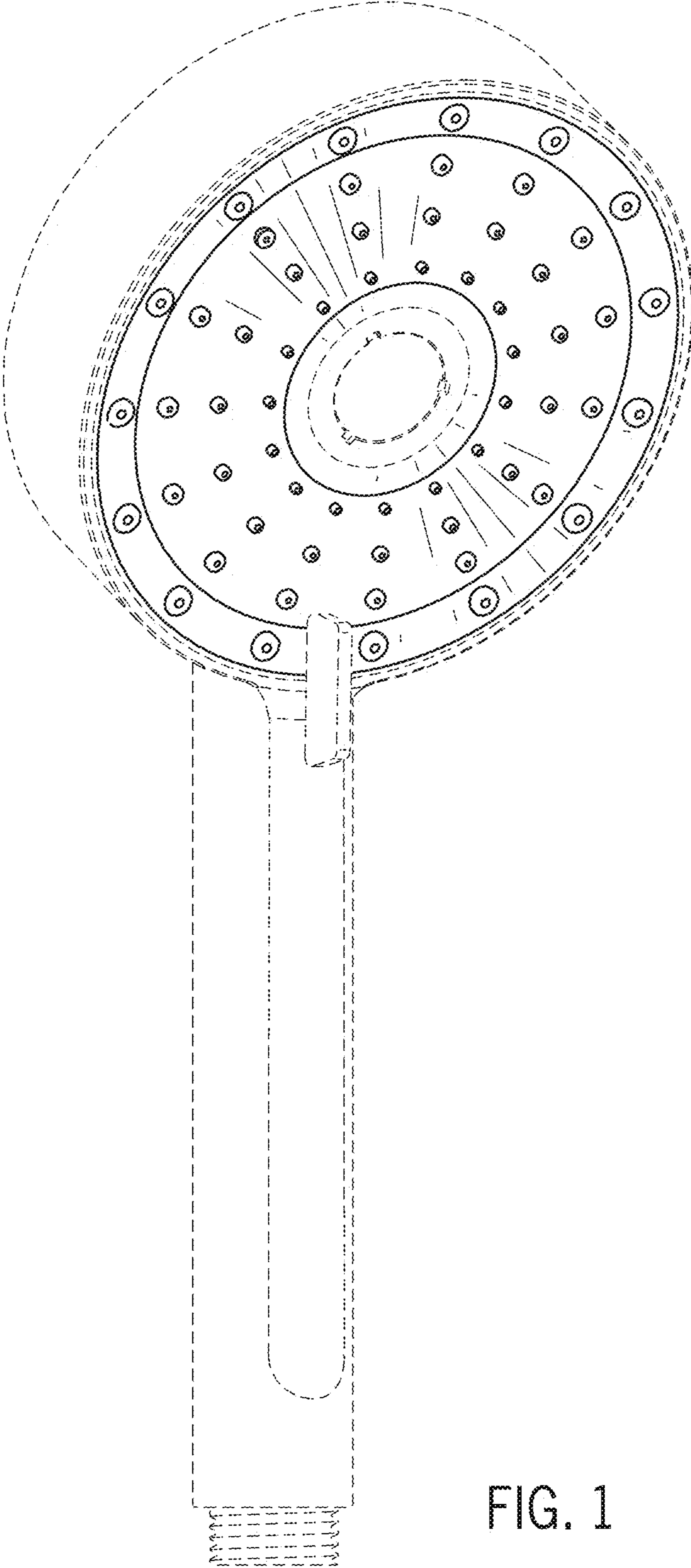


FIG. 1

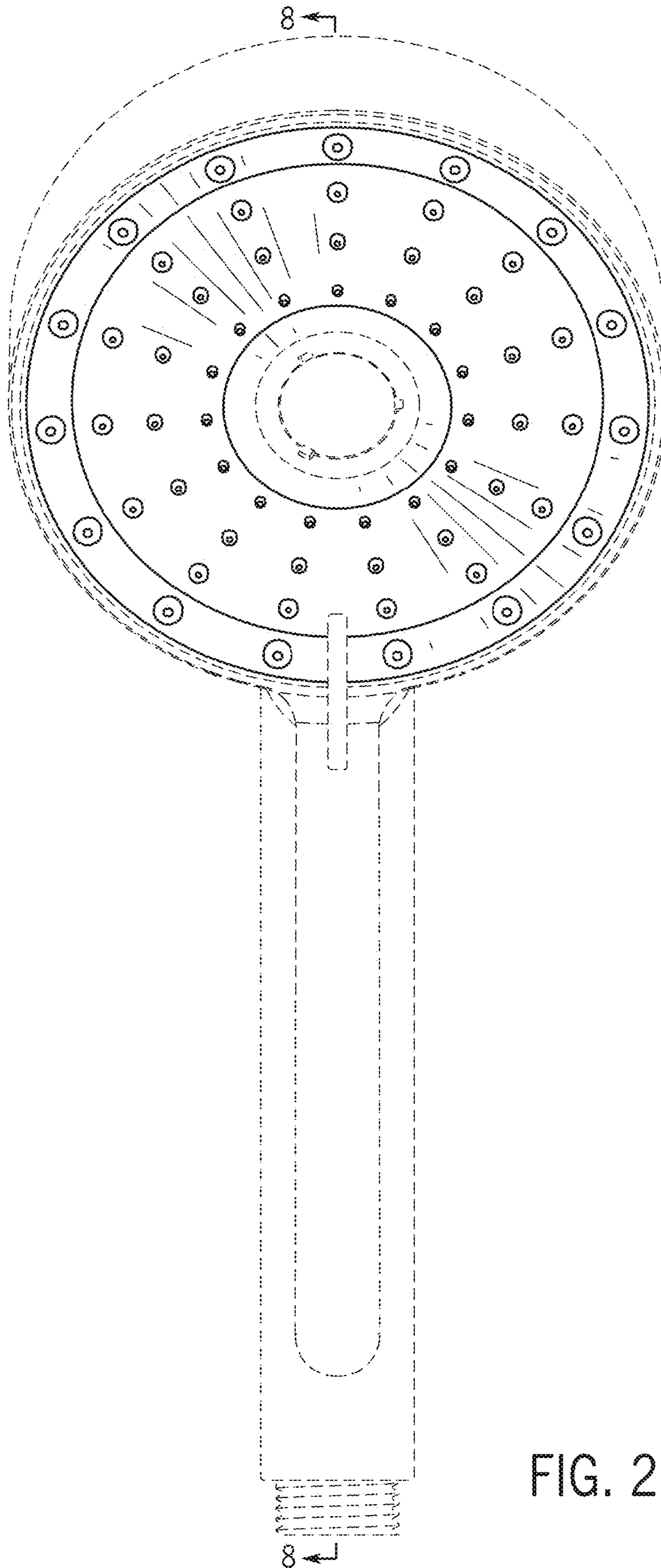


FIG. 2

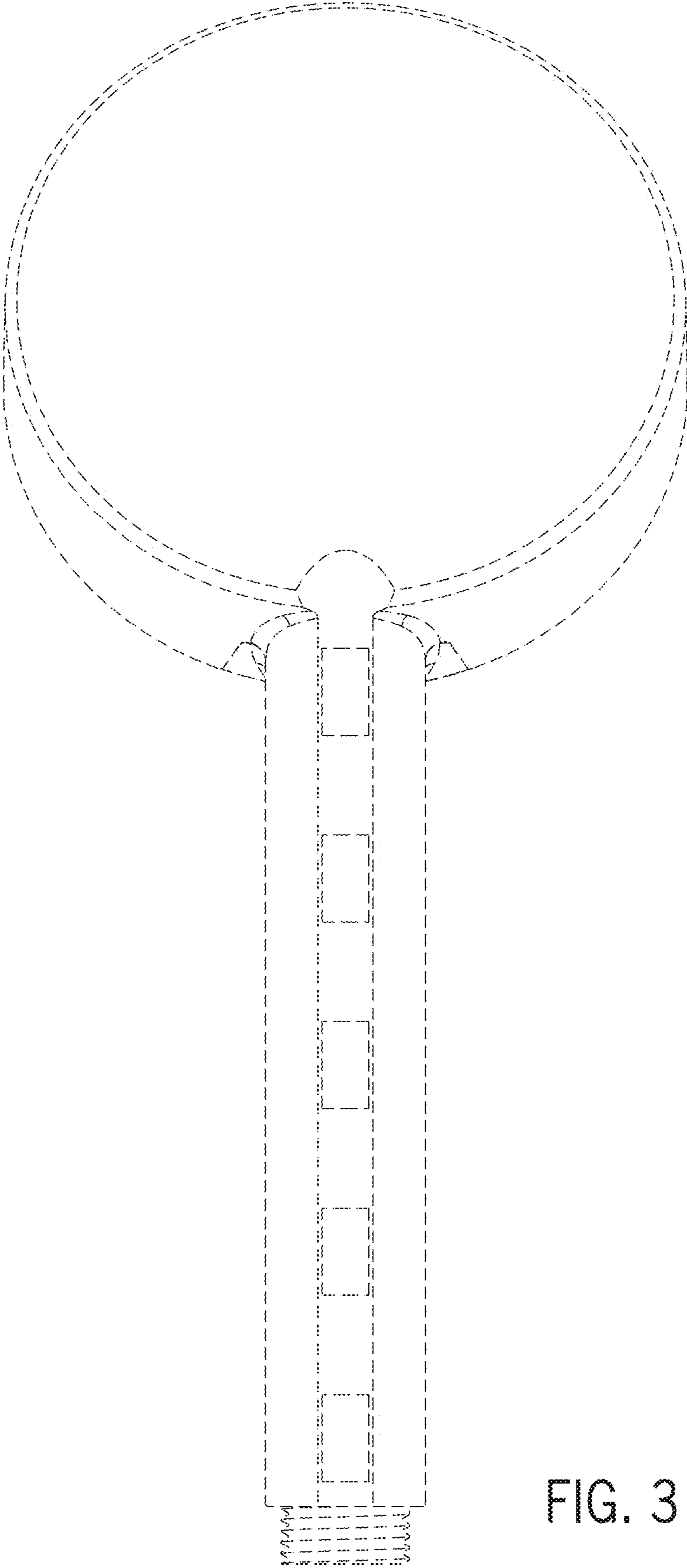


FIG. 3

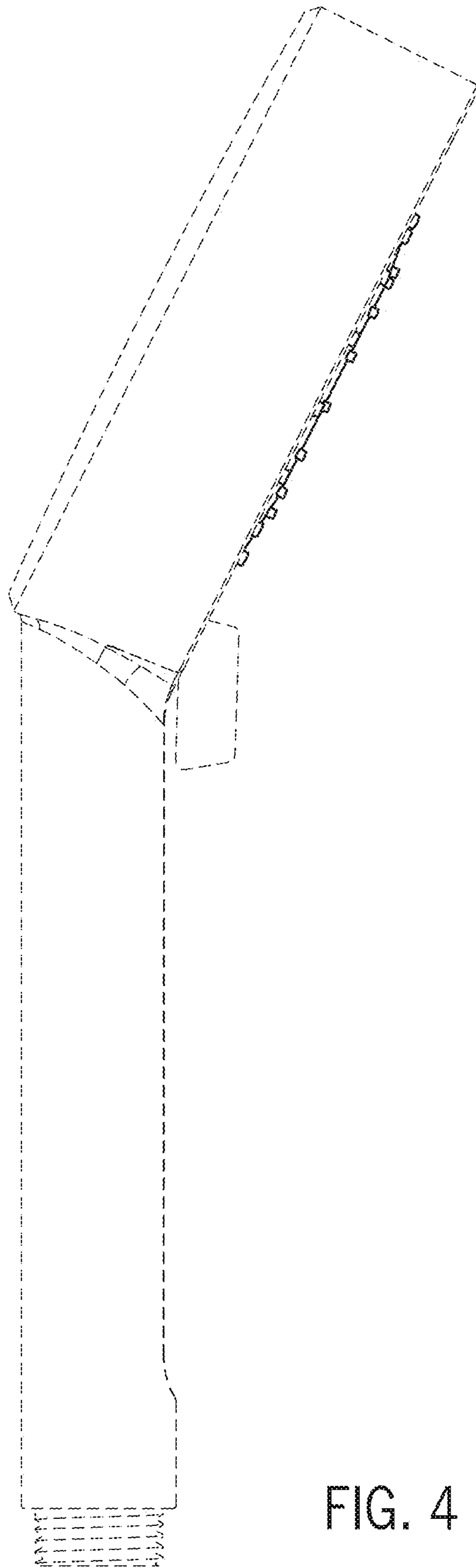


FIG. 4

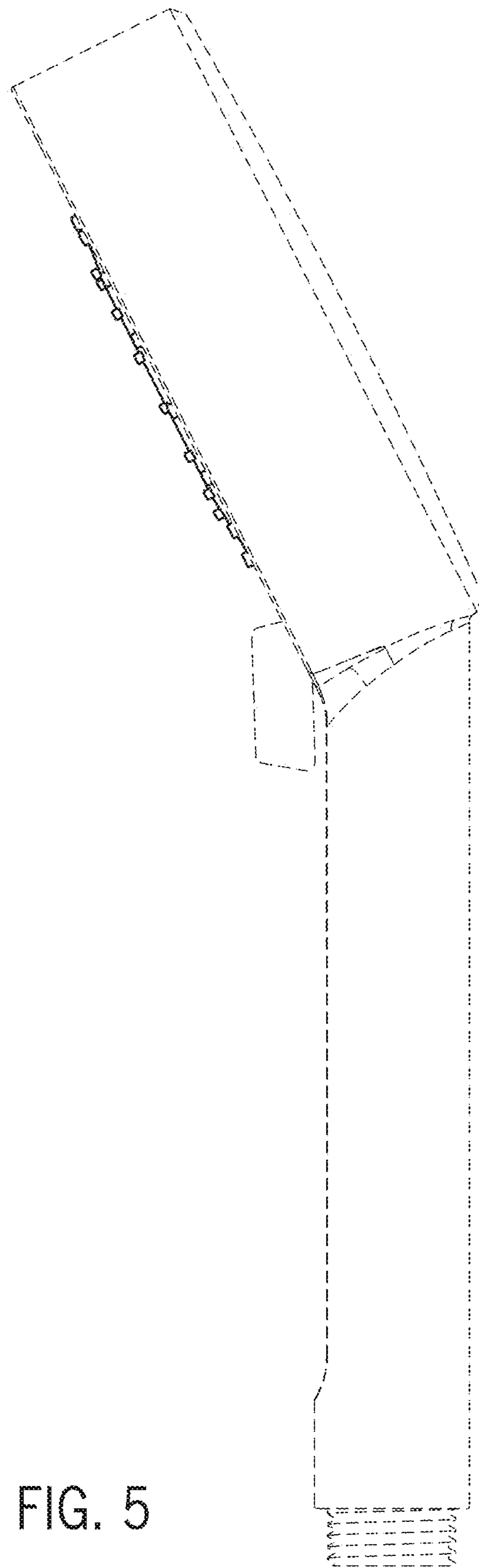


FIG. 5

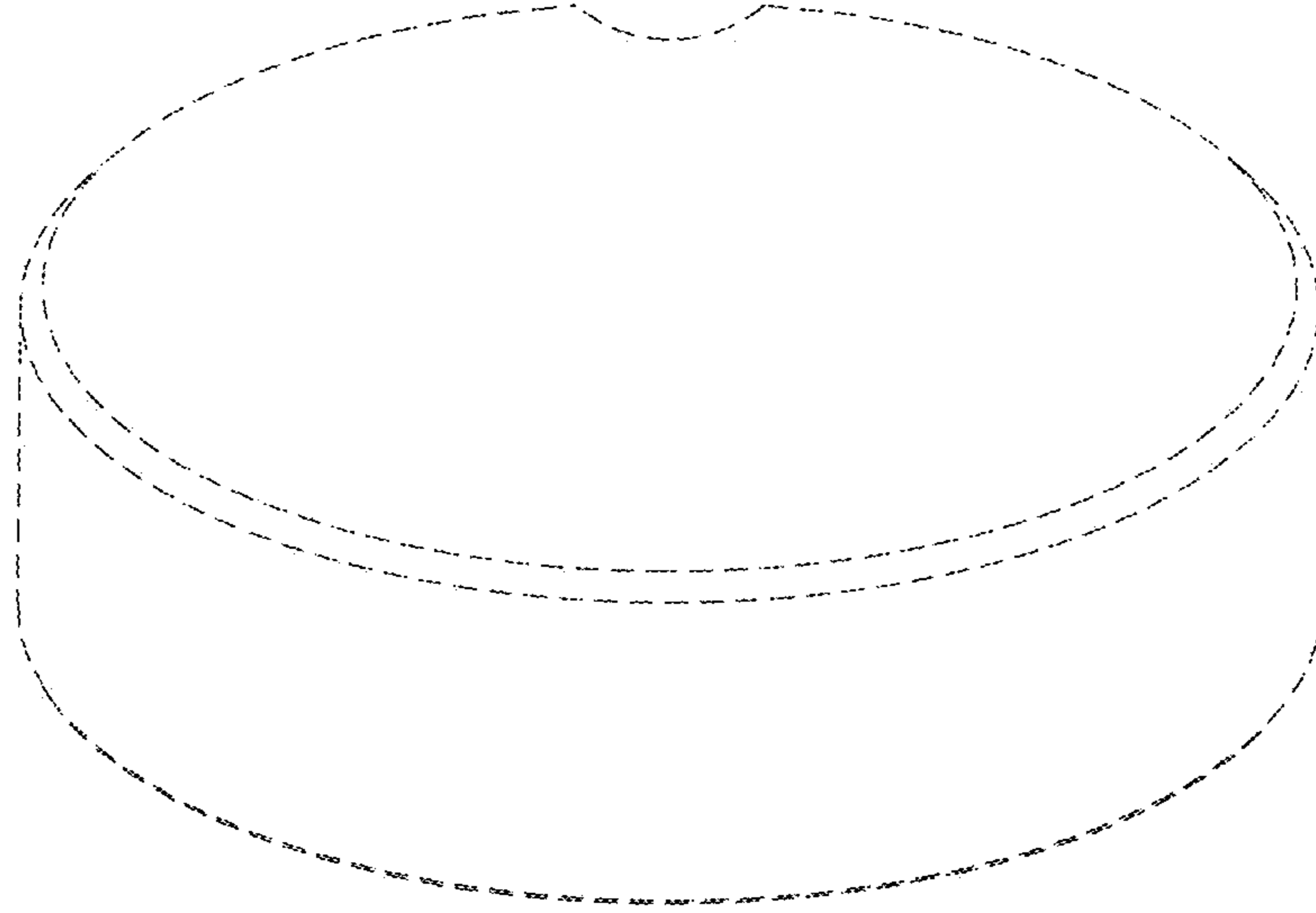


FIG. 6

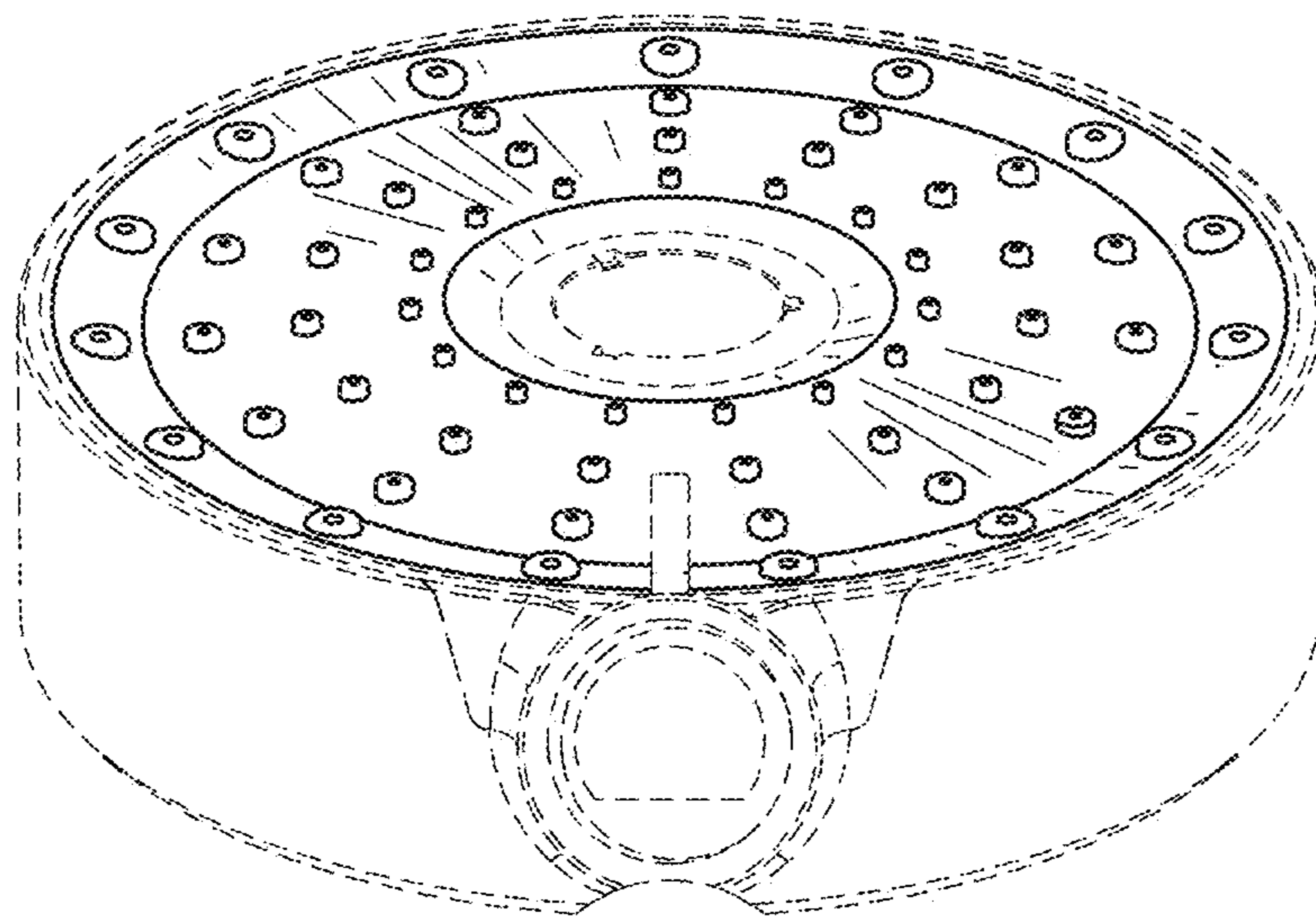


FIG. 7

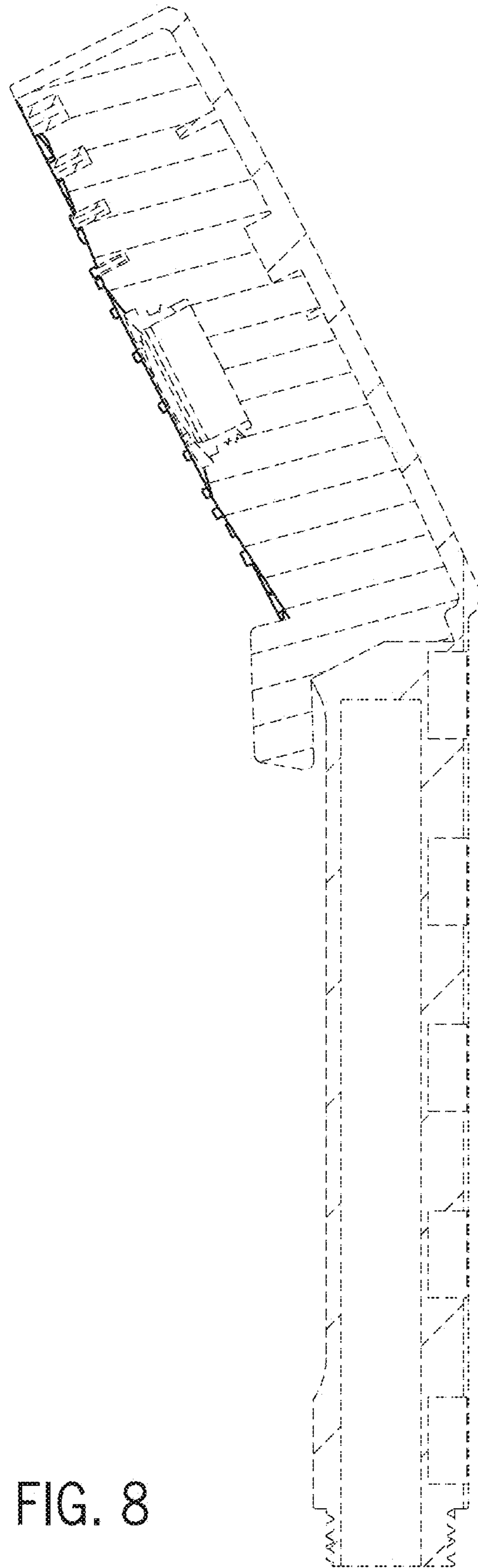


FIG. 8