



US00D960295S

(12) **United States Design Patent** (10) **Patent No.:** **US D960,295 S**
Mazz et al. (45) **Date of Patent:** **** Aug. 9, 2022**

(54) **SHOWER COMPONENTS**

FOREIGN PATENT DOCUMENTS

(71) Applicant: **Kohler Co.**, Kohler, WI (US)

EM 004557775-0003 1/2018

(72) Inventors: **Margaret C. Mazz**, Sheboygan, WI (US); **Bojian Han**, Pasadena, CA (US); **Gregory de Swarte**, Sheboygan, WI (US)

OTHER PUBLICATIONS

Shower and Bathroom Set, Blockage Prevention Self-cleaning Shower, Jan. 20, 2022, amazon.ca, Mar. 1, 2022, URL: <https://www.amazon.ca/Bathroom-Blockage-Prevention-Self-cleaning-Extension/dp/B09NBVPFDM/> (Year: 2022).*

(73) Assignee: **KOHLER CO.**, Kohler, WI (US)

(Continued)

(**) Term: **15 Years**

Primary Examiner — Keith J Wilson

(21) Appl. No.: **29/694,183**

(74) Attorney, Agent, or Firm — Foley & Lardner LLP

(22) Filed: **Jun. 7, 2019**

(57) **CLAIM**

(51) **LOC (13) Cl.** **23-01**

We claim the ornamental design for a shower components, as shown and described.

(52) **U.S. Cl.**

DESCRIPTION

USPC **D23/213**

(58) **Field of Classification Search**

USPC D23/213, 214, 215, 223, 224, 226, 229, D23/230; D6/525

CPC A61H 9/0021; A61H 33/00; B05B 1/00; B05B 1/14; B05B 1/185; B05B 1/08; B05B 1/02; B05B 1/26; B05B 12/002; B05B 1/18; B05B 9/01

See application file for complete search history.

FIG. 1 is a perspective view of a handshower of the claimed design;
FIG. 2 is a front view of the claimed design shown in FIG. 1;
FIG. 3 is a rear view of the claimed design shown in FIG. 1;
FIG. 4 is a top view of the claimed design shown in FIG. 1;
FIG. 5 is a bottom view of the claimed design shown in FIG. 1;
FIG. 6 is a side view of the claimed design shown in FIG. 1; and,
FIG. 7 is a side cross-sectional view of the claimed design shown in FIG. 1 taken along line 7-7 in FIG. 2.

(56) **References Cited**

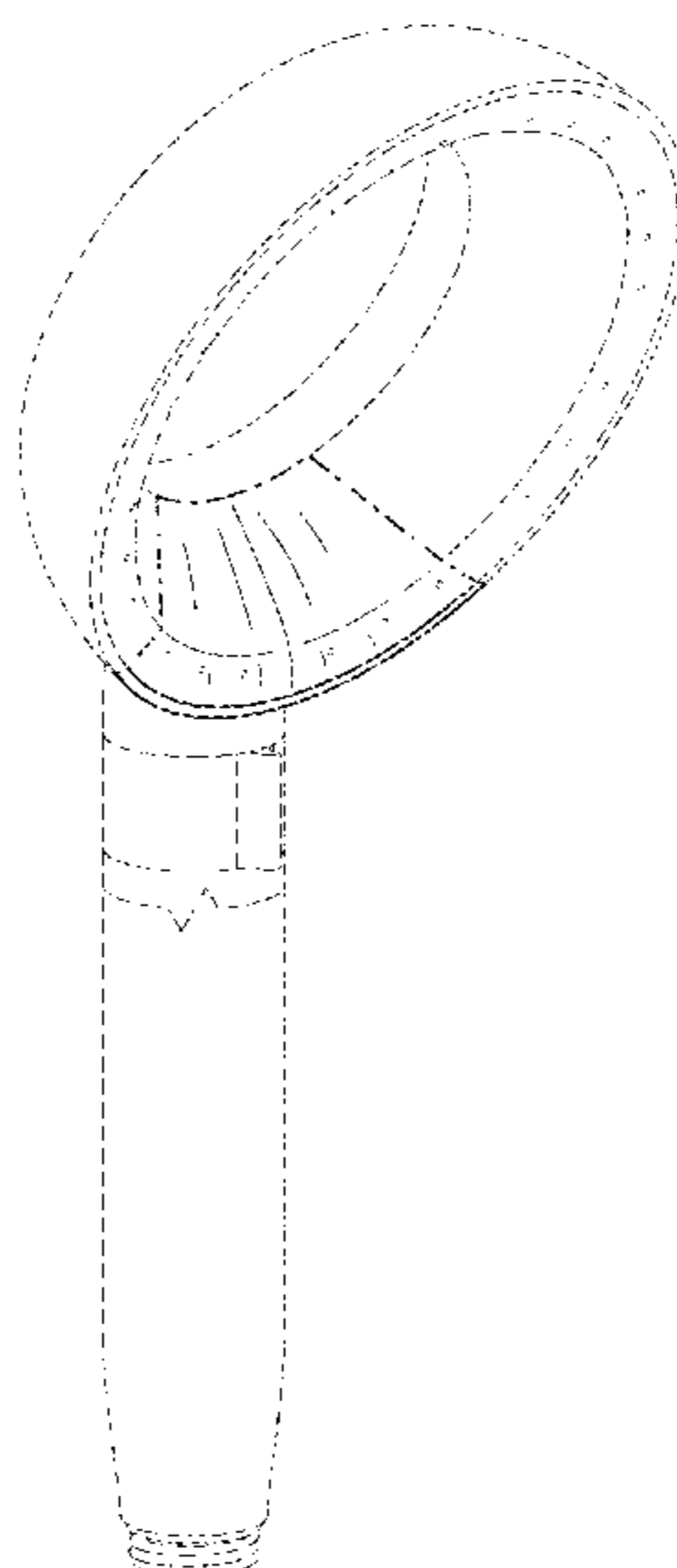
U.S. PATENT DOCUMENTS

3,893,628	A	7/1975	McCollum	
6,557,785	B1	5/2003	Knapp	
D498,514	S	* 11/2004	Haug	D23/223
D512,120	S	* 11/2005	Haug	D23/213
D513,525	S	* 1/2006	Haug	D23/223
D519,187	S	* 4/2006	Tse	D23/213
D564,066	S	* 3/2008	Lammel	D23/223
D565,703	S	* 4/2008	Lammel	D23/223
D566,231	S	* 4/2008	Lammel	D23/223
D607,971	S	1/2010	Barnard et al.	

(Continued)

The ornamental design that is claimed is shown in the drawings as solid lines and surfaces having surface shading. The broken lines in the drawings represent portions of a shower component only and form no part of the claimed design. The dash dot lines represents a boundary and form no part of the claimed design.

1 Claim, 6 Drawing Sheets



(56)

References Cited

U.S. PATENT DOCUMENTS

7,837,133 B2 11/2010 Zhou
 7,900,295 B2 3/2011 Lev
 D672,432 S 12/2012 Spangler
 D674,041 S 1/2013 Hanus
 D675,711 S 2/2013 Chibitty
 D687,924 S * 8/2013 Newson D23/213
 D697,177 S * 1/2014 Schoenherr D23/223
 D760,348 S 6/2016 McCutcheon et al.
 D761,935 S 7/2016 McCutcheon et al.
 D810,234 S * 2/2018 Winter D23/213
 D832,398 S * 10/2018 Lin D23/223
 D841,126 S * 2/2019 Lai D23/223
 D855,759 S * 8/2019 Winter D23/223
 D855,760 S * 8/2019 Lee D23/223
 D861,830 S * 10/2019 Quinn D23/223
 D943,060 S * 2/2022 Fan D23/213
 D943,062 S * 2/2022 Fan D23/223
 D943,709 S * 2/2022 Cocks D23/223
 D944,923 S * 3/2022 Yu D23/223

2015/0048184 A1 2/2015 McCutcheon
 2022/0038802 A1 * 2/2022 Hanna E03C 1/0408
 2022/0040713 A1 * 2/2022 Mock B05B 15/65

OTHER PUBLICATIONS

ABS Invisible Universal Shower Head for Bathroom, Sector High Pressure Handheld Shower Head Unique Hollow Ring, Sep. 9, 2019, amazon.ca, Mar. 1, 2022, URL: <https://www.amazon.ca/Invisible-Universal-Bathroom-Pressure-Handheld/dp/B07XNTPQDK/> (Year: 2019).*

Ecocamel Orbit Shower Head, Apr. 14, 2009, rvupgradedstore.com, Mar. 1, 2022, URL: https://www.rvupgradedstore.com/Ecocamel-Orbit-Shower-Head-p/orbit.htm?gclid=EAlalQobChMIII6JtbSI9glVgZ6zCh3krQymEAsYASABEglXuvD_BwE (Year: 2009).*

Graff G-8760-PC-T Ametis 16¹⁵/₁₆Inch Ring Water, Mar. 3, 2017, kbauthority.com, Mar. 1, 2022, URL: <https://www.kbauthority.com/graff-g-8760-pc-t-ametis-16-15-16-inch-ring-water-feature-trim-polished-chrome.html?> (Year: 2022).*

Pages 129-143, Kohler's 2016 Faucets Price Book.

* cited by examiner

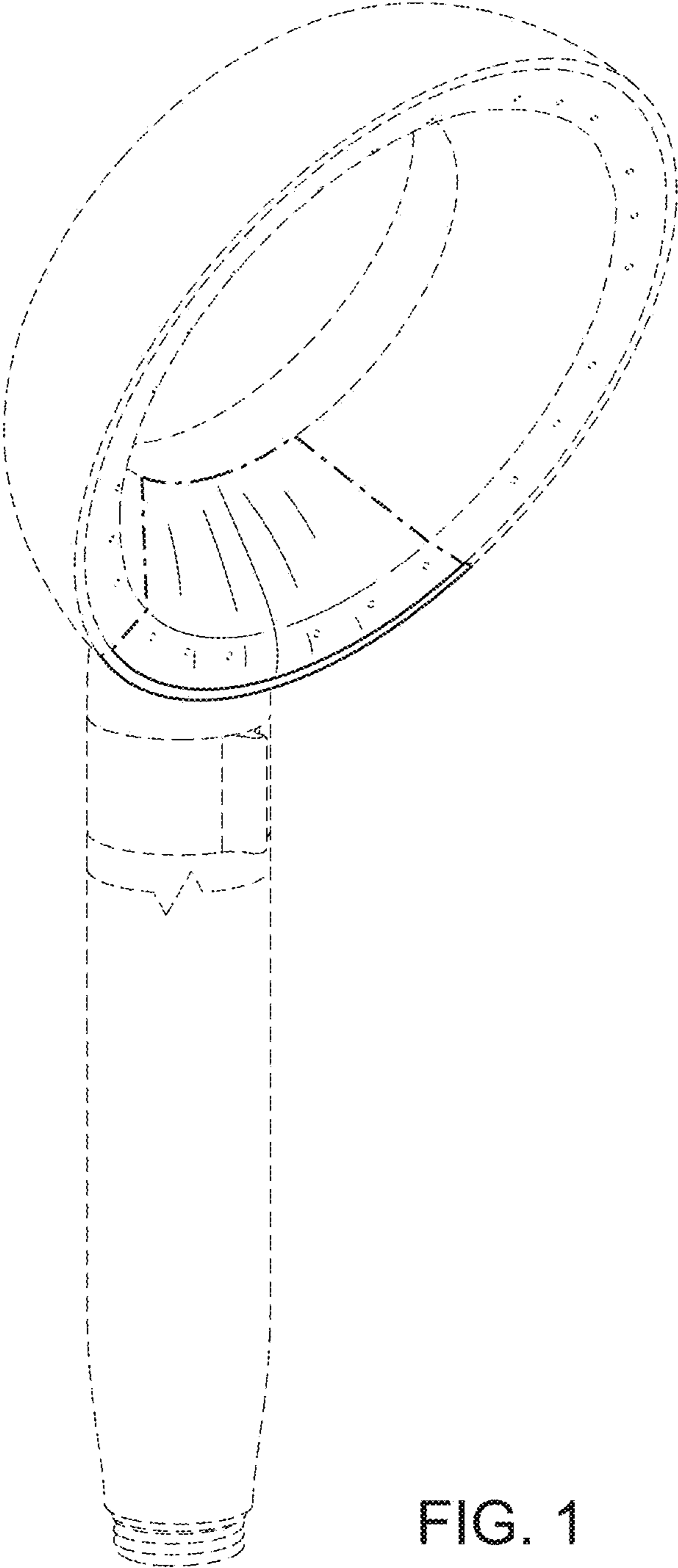


FIG. 1

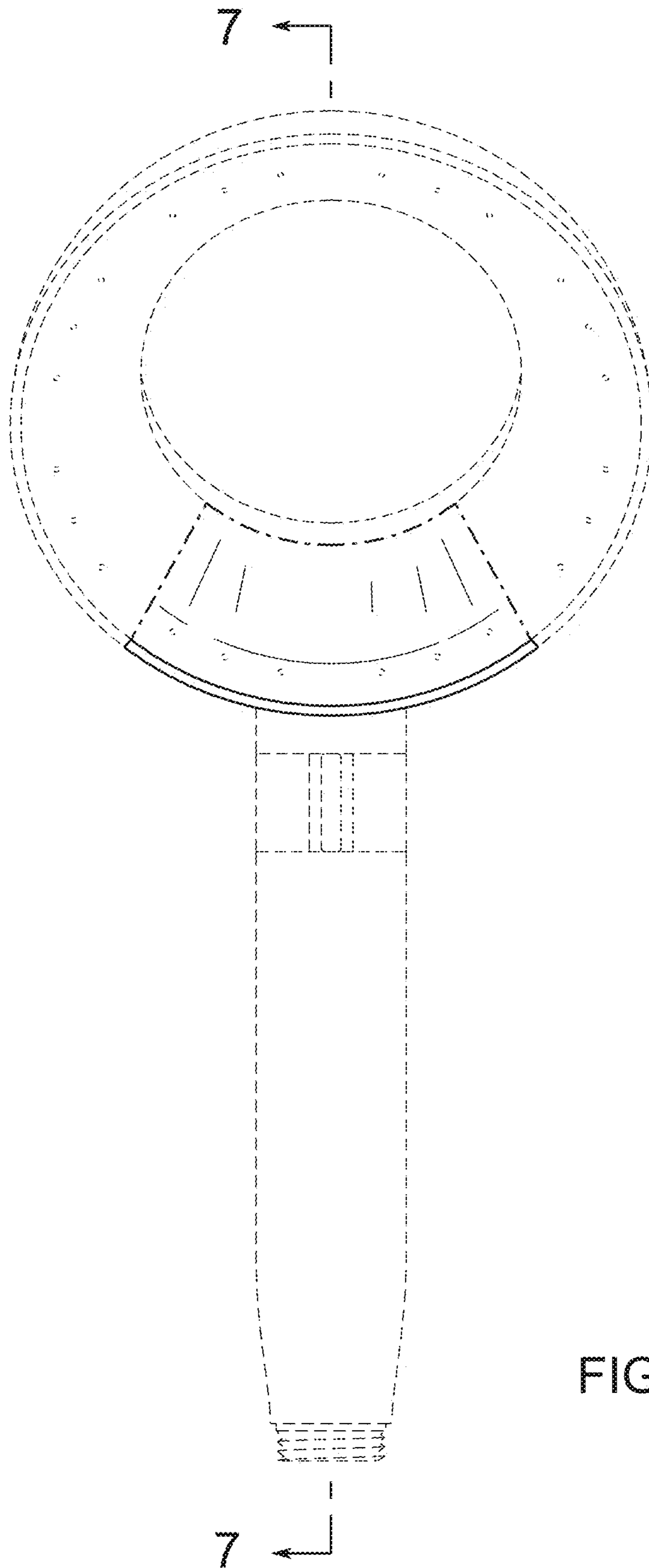


FIG. 2

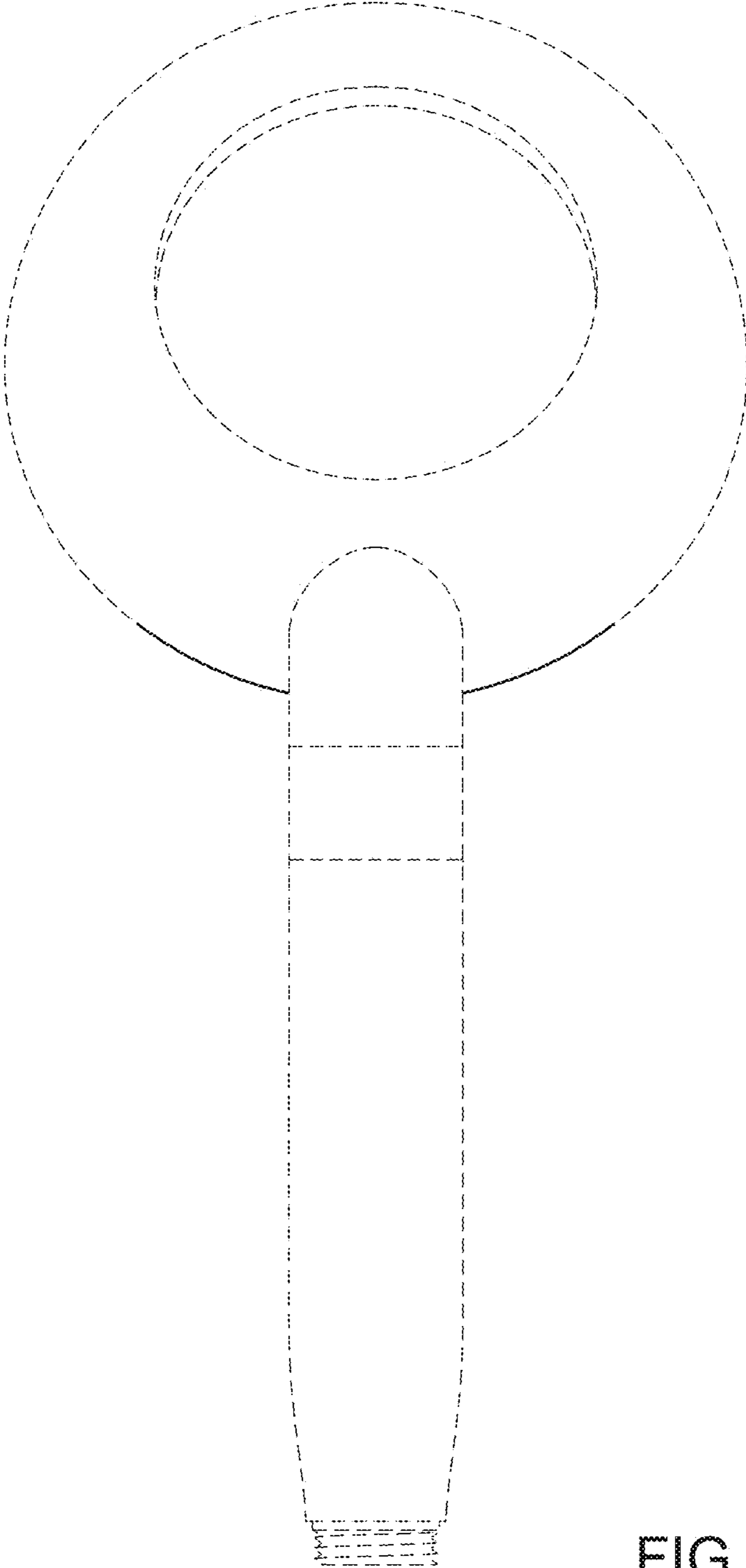


FIG. 3

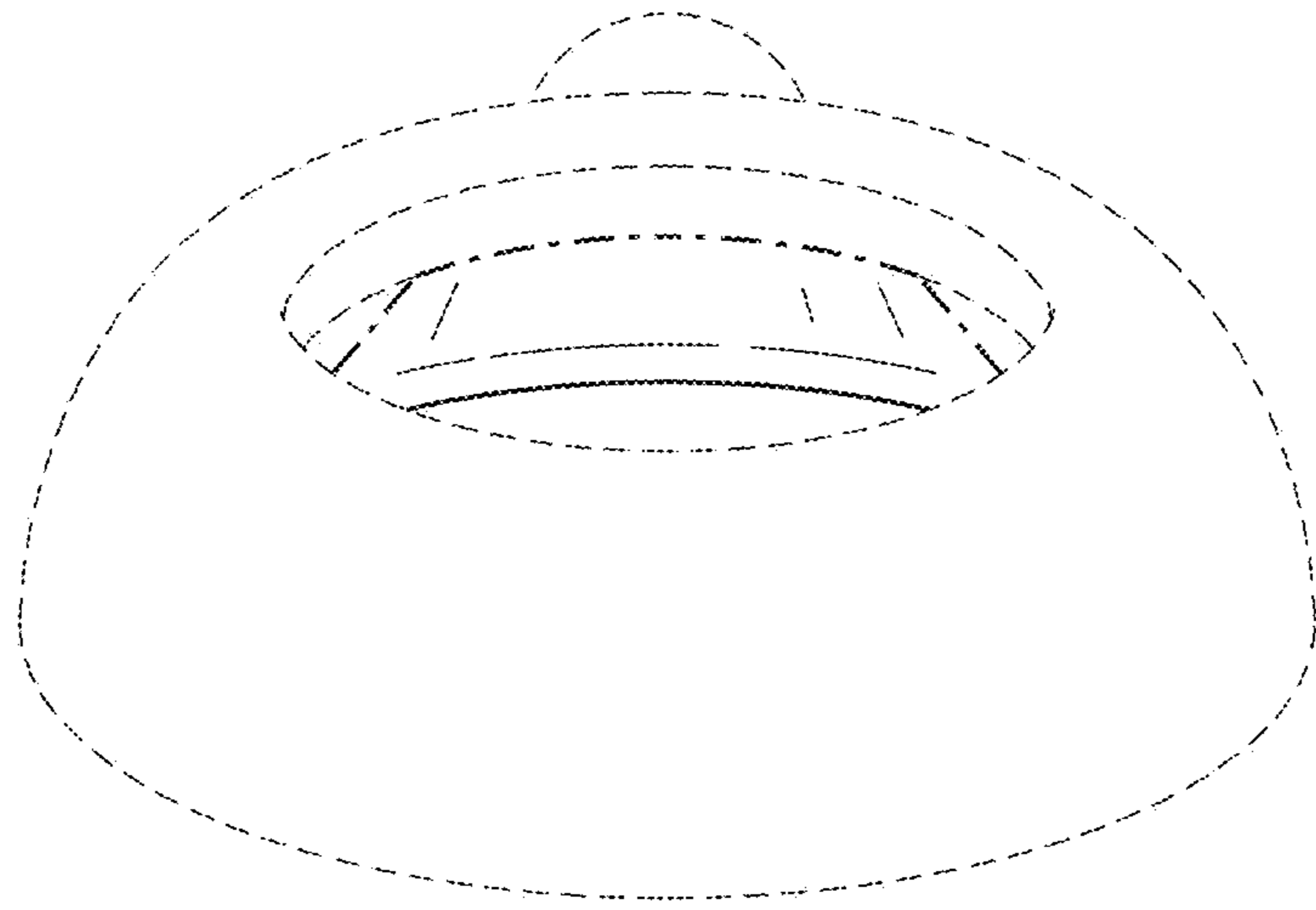


FIG. 4

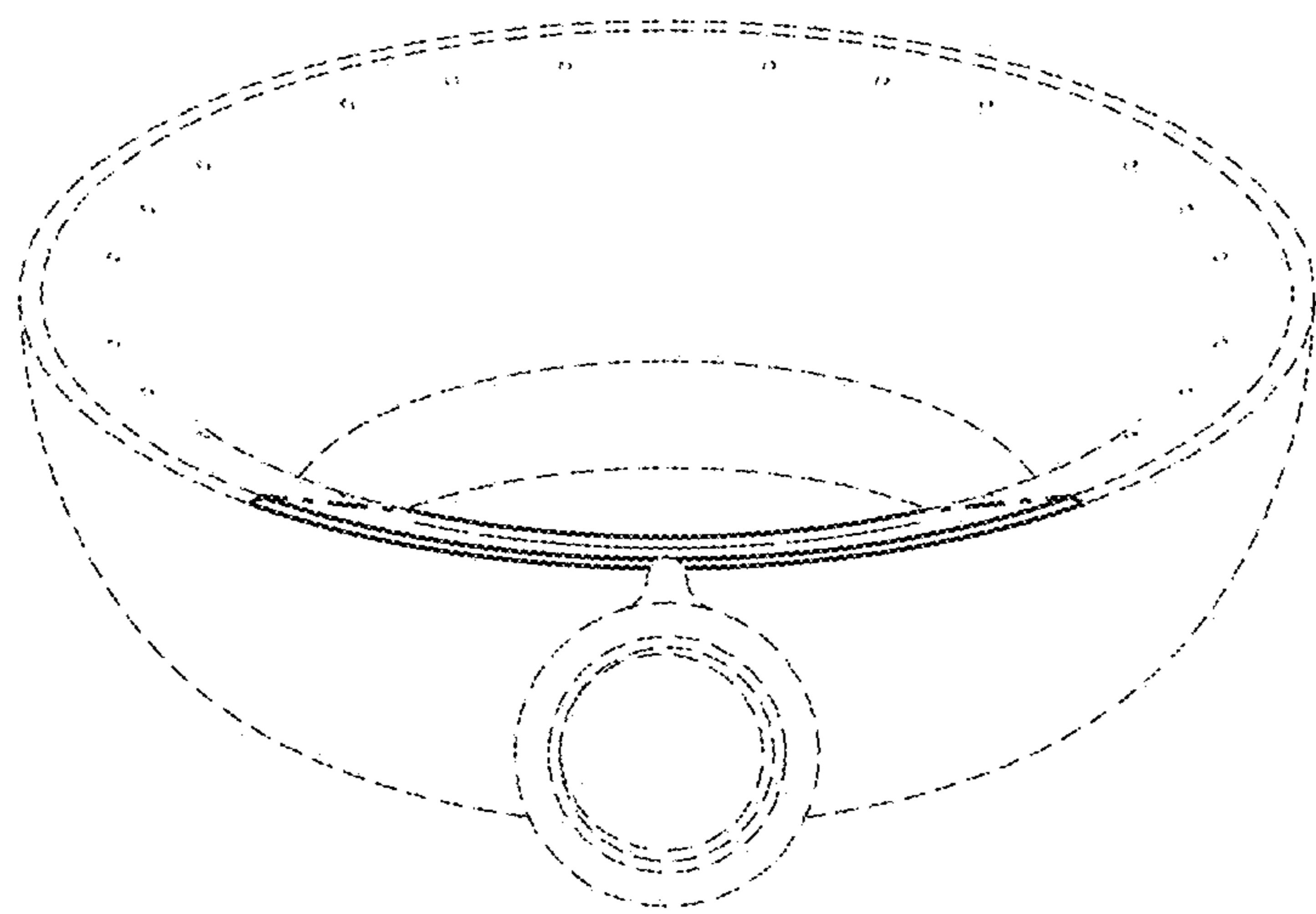


FIG. 5

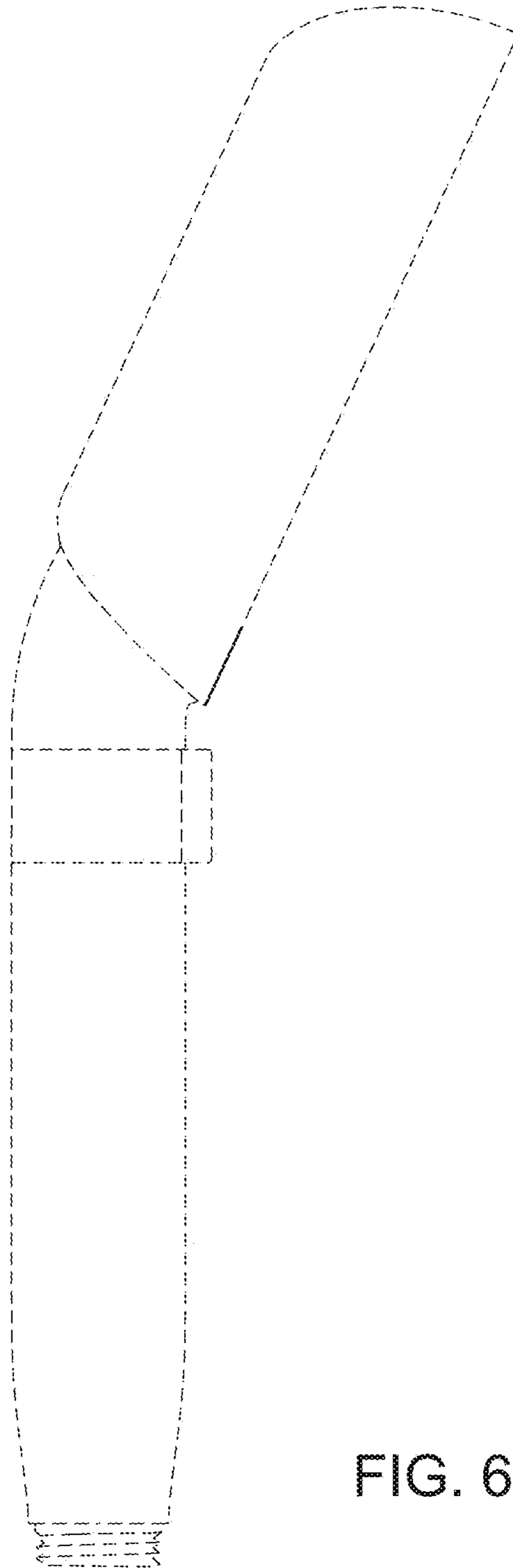


FIG. 6

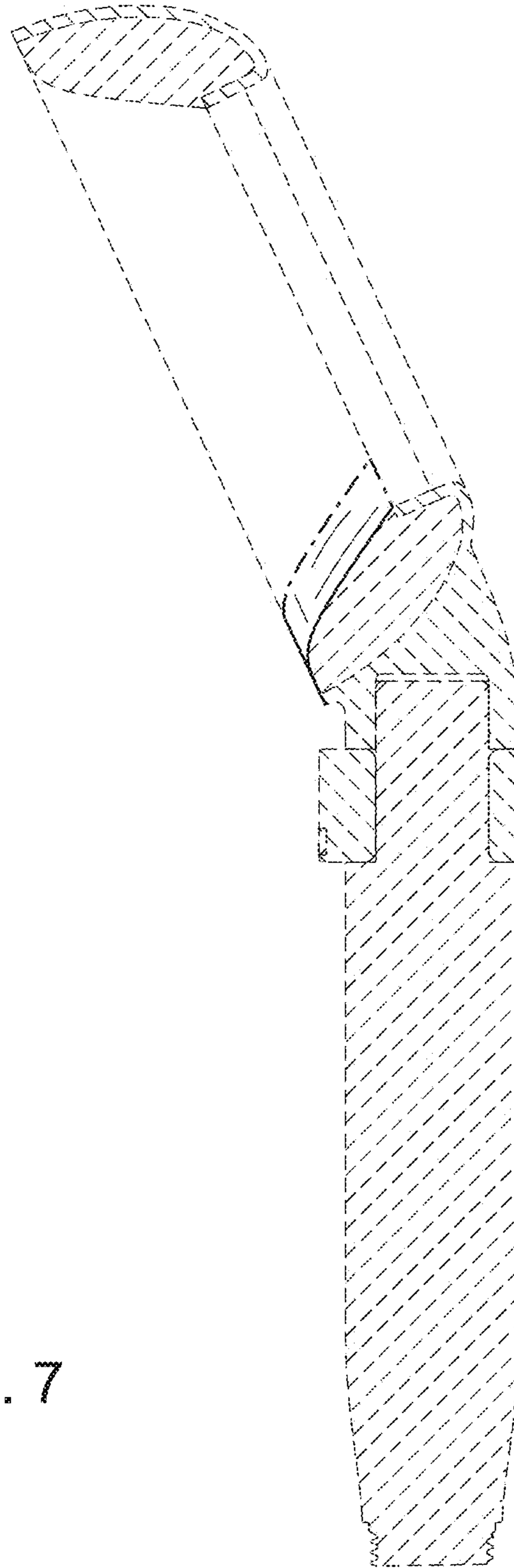


FIG. 7