



US00D960294S

(12) **United States Design Patent**
Cacka et al.

(10) **Patent No.:** **US D960,294 S**
(45) **Date of Patent:** **** Aug. 9, 2022**

(54) **SHOWERHEAD NOZZLE PAD**

FOREIGN PATENT DOCUMENTS

(71) Applicant: **WATER PIK, INC.**, Fort Collins, CO (US)

CN 201042681 4/2008
CN 101628263 A 1/2010

(Continued)

(72) Inventors: **Joseph W. Cacka**, Berthoud, CO (US);
Leland C. Leber, Fort Collins, CO (US);
Michael J. Quinn, Windsor, CO (US)

OTHER PUBLICATIONS

LOKBY High-Pressure Handheld Shower Head, Mar. 15, 2019, amazon.com, Dec. 22, 2021, Dec. 22, 2021, URL: <https://www.amazon.com/High-Pressure-Handheld-Shower-Head-6-Setting/dp/B07KZVKTDG> (Year: 2019).*

(Continued)

(73) Assignee: **WATER PIK, INC.**, Fort Collins, CO (US)

(**) Term: **15 Years**

Primary Examiner — Keith J Wilson

(21) Appl. No.: **29/694,005**

(74) *Attorney, Agent, or Firm* — Dorsey & Whitney LLP

(22) Filed: **Jun. 6, 2019**

(57) **CLAIM**

Related U.S. Application Data

We claim the ornamental design for a showerhead nozzle pad, as shown and described.

(60) Continuation of application No. 29/679,130, filed on Feb. 1, 2019, now Pat. No. Des. 855,757, which is a (Continued)

DESCRIPTION

(51) **LOC (13) Cl.** **23-01**

FIG. 1 is a left, front isometric view of a showerhead nozzle pad.

(52) **U.S. Cl.**
USPC **D23/213**

FIG. 2 is a right, front isometric view thereof.

(58) **Field of Classification Search**
USPC D23/213, 214, 215, 223, 224, 226, 229, D23/230

FIG. 3 is a front elevation view thereof.

CPC A61H 9/0021; A61H 33/00; B05B 1/00; B05B 1/14; B05B 1/185; B05B 1/08; B05B 1/02; B05B 1/26; B05B 12/002; B05B 1/18; B05B 9/01

FIG. 4 is a rear elevation view thereof.

FIG. 5 is a left side elevation view thereof.

FIG. 6 is a right side elevation view thereof.

FIG. 7 is a top plan view thereof.

FIG. 8 is a bottom plan view thereof.

FIG. 9 is an enlarged fragmentary view thereof taken along detail line 9-9 of FIG. 2; and,

FIG. 10 is an enlarged fragmentary view thereof taken along detail line 10-10 of FIG. 3.

See application file for complete search history.

The broken line showing of the showerhead illustrates environment and forms no part of the claimed design. All other broken lines illustrate portions of the showerhead nozzle pad that form no part of the claimed design.

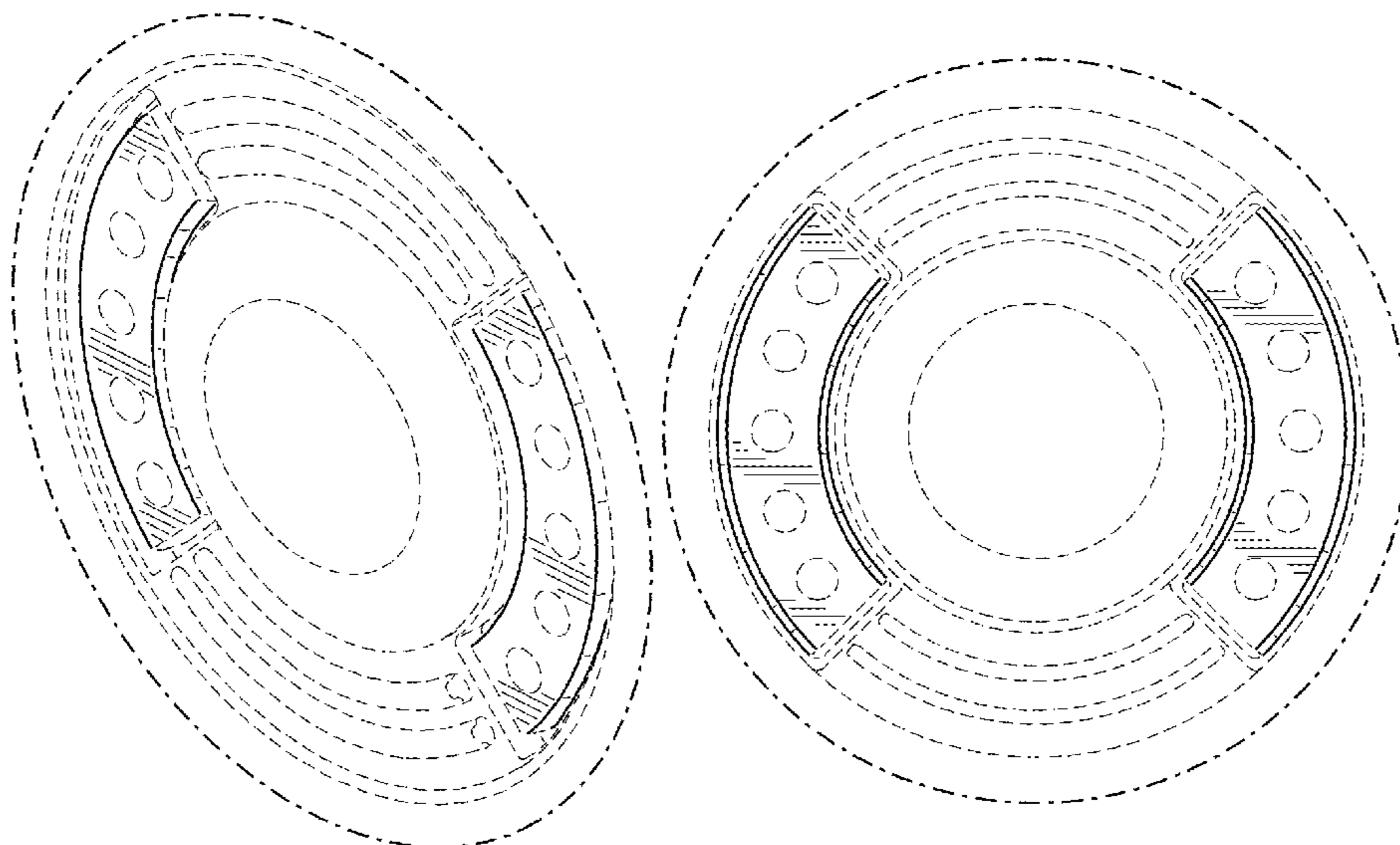
(56) **References Cited**

U.S. PATENT DOCUMENTS

3,998,390 A 12/1976 Peterson et al.
4,190,207 A 2/1980 Fienhold et al.

(Continued)

1 Claim, 8 Drawing Sheets



Related U.S. Application Data

continuation of application No. 29/662,928, filed on Sep. 10, 2018, now Pat. No. Des. 842,431, which is a continuation of application No. 15/208,158, filed on Jul. 12, 2016, now Pat. No. 10,478,837, which is a division of application No. 14/304,495, filed on Jun. 13, 2014, now Pat. No. 9,404,243.

(56)

References Cited

U.S. PATENT DOCUMENTS

D268,359	S	3/1983	Klose	
4,398,669	A	8/1983	Fienhold	
5,476,225	A	12/1995	Chan	
5,690,282	A	11/1997	Guo	
6,076,747	A	6/2000	Ming-Yuan	
D432,627	S	10/2000	Tse	
6,341,737	B1	1/2002	Chang	
D525,341	S	7/2006	Bossini	
D530,391	S	10/2006	Tse	
D557,764	S	12/2007	Schonher et al.	
D564,621	S	3/2008	Lammel et al.	
D581,014	S	11/2008	Quinn et al.	
7,766,260	B2	8/2010	Lin	
D652,106	S	1/2012	Yoo	
D668,743	S	10/2012	Kennedy et al.	
8,297,534	B2	10/2012	Li et al.	
D674,041	S	1/2013	Hanus	
D674,042	S	1/2013	Hanus	
D674,875	S	1/2013	Spangler	
8,360,346	B2	1/2013	Furseth	
D680,619	S	4/2013	Zhadanov	
D681,776	S *	5/2013	Cutler	D23/223
8,511,587	B2	8/2013	Miller et al.	
D702,810	S	4/2014	Stednitz	
D744,065	S	11/2015	Peterson et al.	
D744,611	S	12/2015	Quinn	
D744,612	S	12/2015	Peterson et al.	
D755,346	S	5/2016	Yan	
9,404,243	B2	8/2016	Cacka et al.	

D779,039	S	2/2017	Hanna et al.	
9,764,339	B2	9/2017	Yu	
D803,351	S *	11/2017	Ladwig	D23/223
D842,431	S *	3/2019	Cacka	D23/213
D855,757	S *	8/2019	Cacka	D23/213
D913,419	S *	3/2021	Ladwig	D23/223
D928,282	S *	8/2021	Rogers	D23/213
D928,283	S *	8/2021	Peterson	D23/213
2005/0284967	A1	12/2005	Korb et al.	
2010/0038454	A1	2/2010	Shieh	
2011/0073678	A1	3/2011	Qiu et al.	
2011/0114753	A1	5/2011	Li et al.	
2013/0126646	A1	5/2013	Wu	
2014/0367482	A1 *	12/2014	Cacka	B05B 1/1654 239/11
2015/0211728	A1 *	7/2015	Zhadanov	B05B 1/185 362/96
2017/0297039	A1 *	10/2017	Cacka	B05B 1/185

FOREIGN PATENT DOCUMENTS

CN	101773880	A	7/2010
CN	202516711	U	2/2012
CN	202570480		12/2012
DE	20012539	U1	10/2000
JP	2001179137		7/2001

OTHER PUBLICATIONS

AquaDance High Pressure 6-Setting 4.15" Chrome Face Hand Held Shower Head, Nov. 20, 2016, amazon.com, Dec. 22, 2021, URL: https://www.amazon.com/dp/B01MYMSDAI/ref=sbl_dpx_home-improvement-bathroom-handheld-showerheads_B07KZVKTDG_0 (Year: 2016).*

American Standard 1660207.002 Hydrofocus 6-Function Hand Shower, May 11, 2016, amazon.com, Dec. 22, 2021, URL: https://www.amazon.com/dp/B01FHSEEOM/ref=sbl_dpx_home-improvement-bathroom-handheld-showerheads_B07DRHBQBF_0 (Year: 2016).*

* cited by examiner

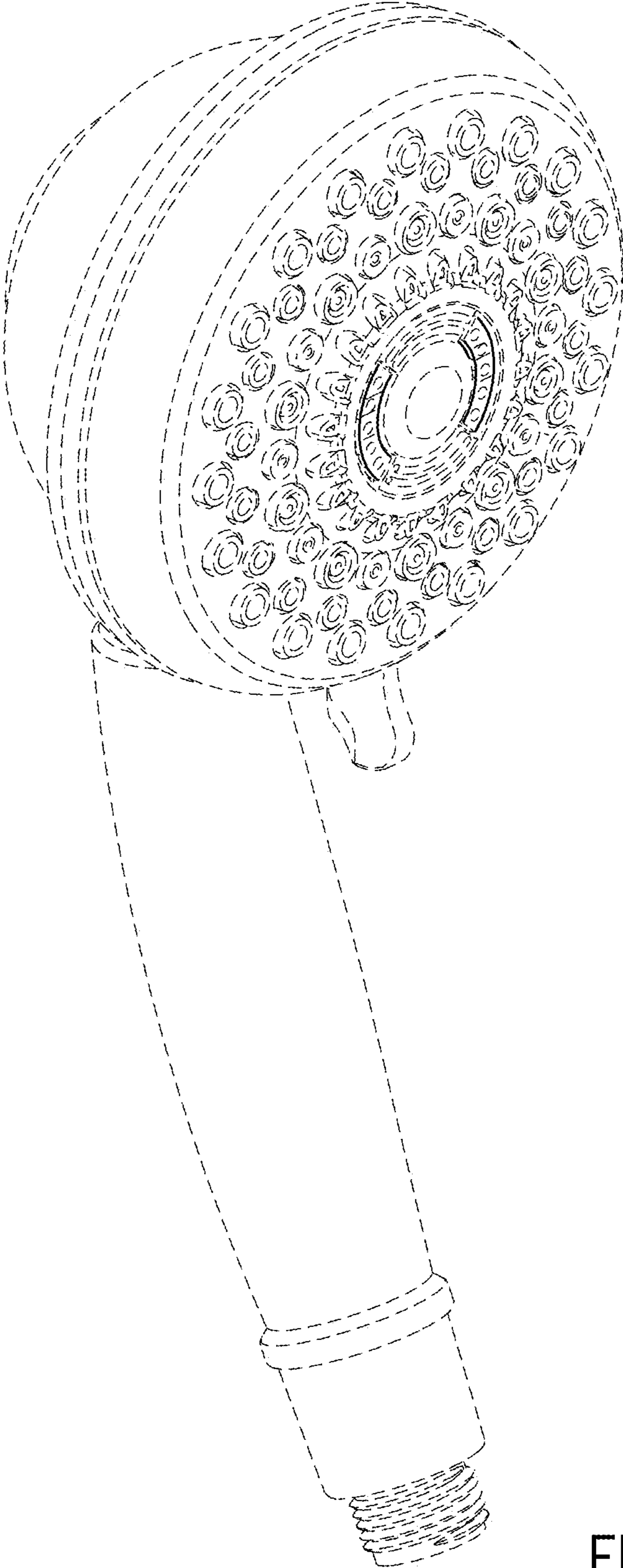


FIG. 1

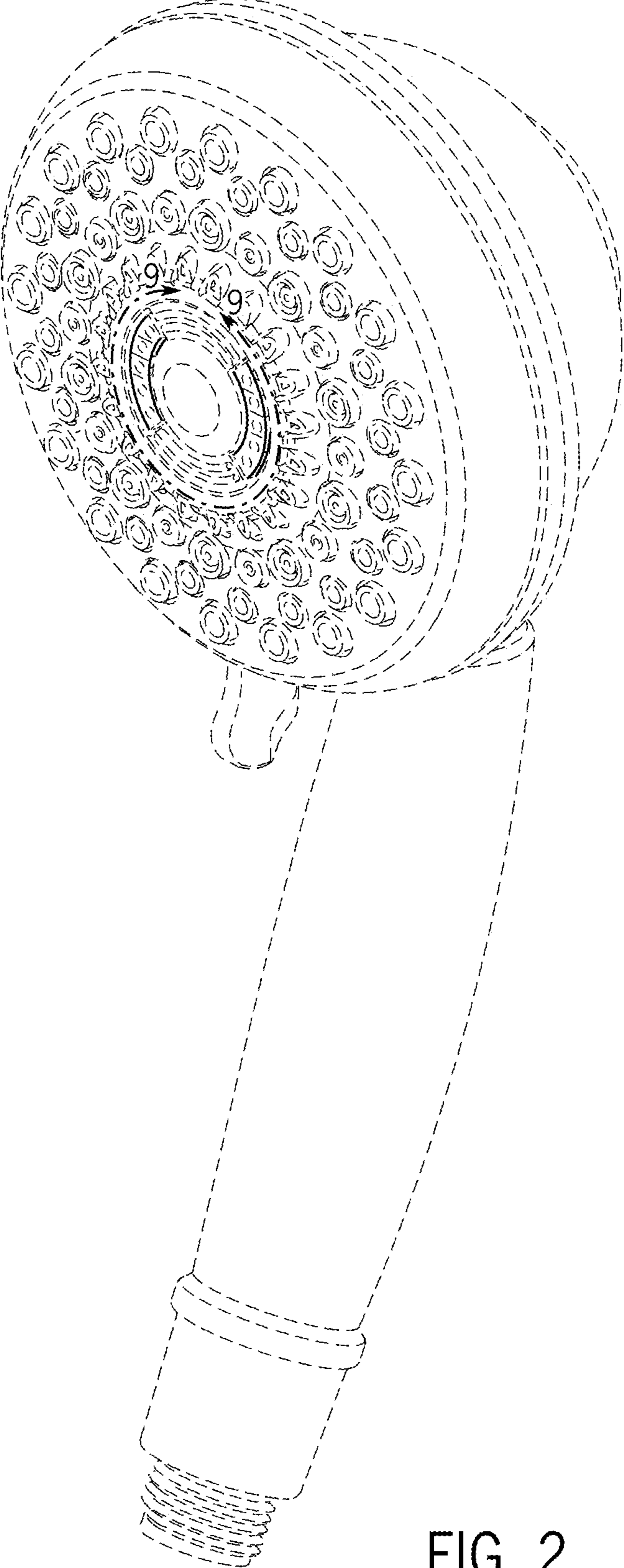


FIG. 2

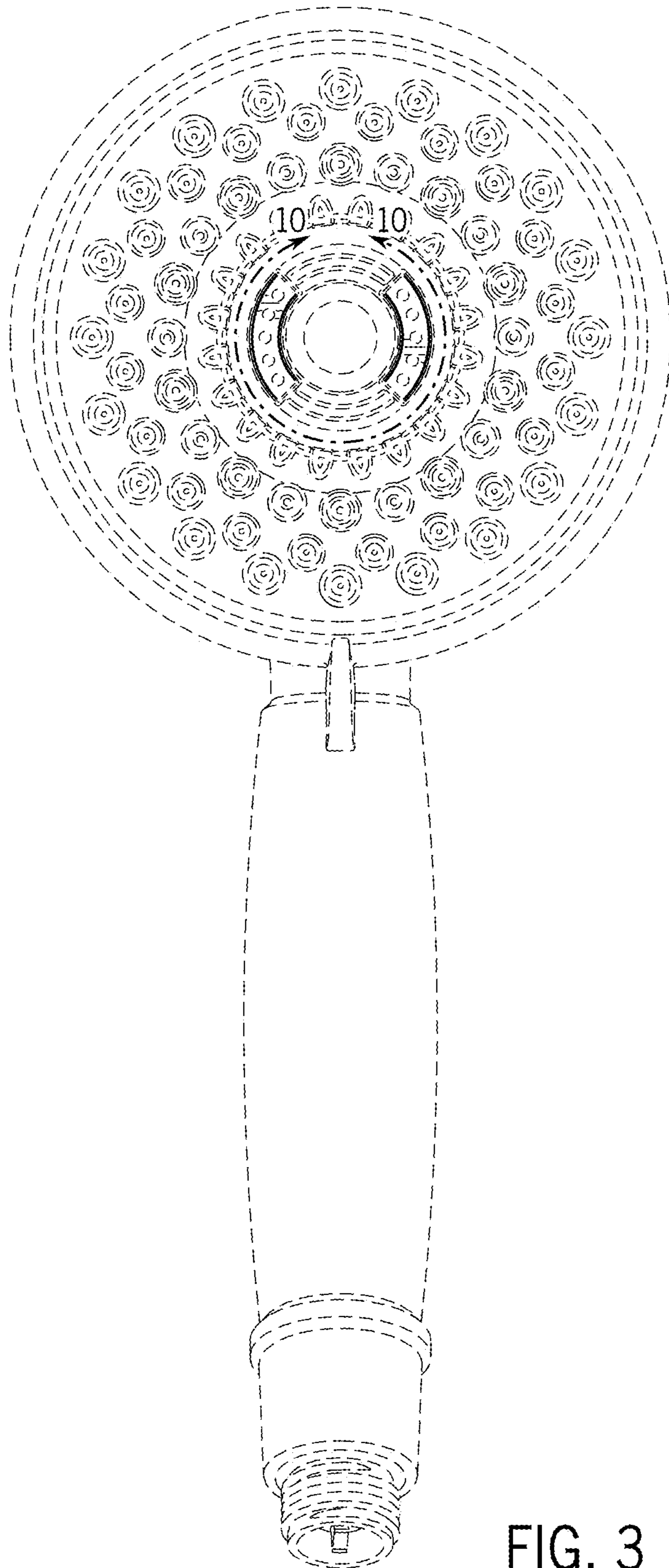


FIG. 3

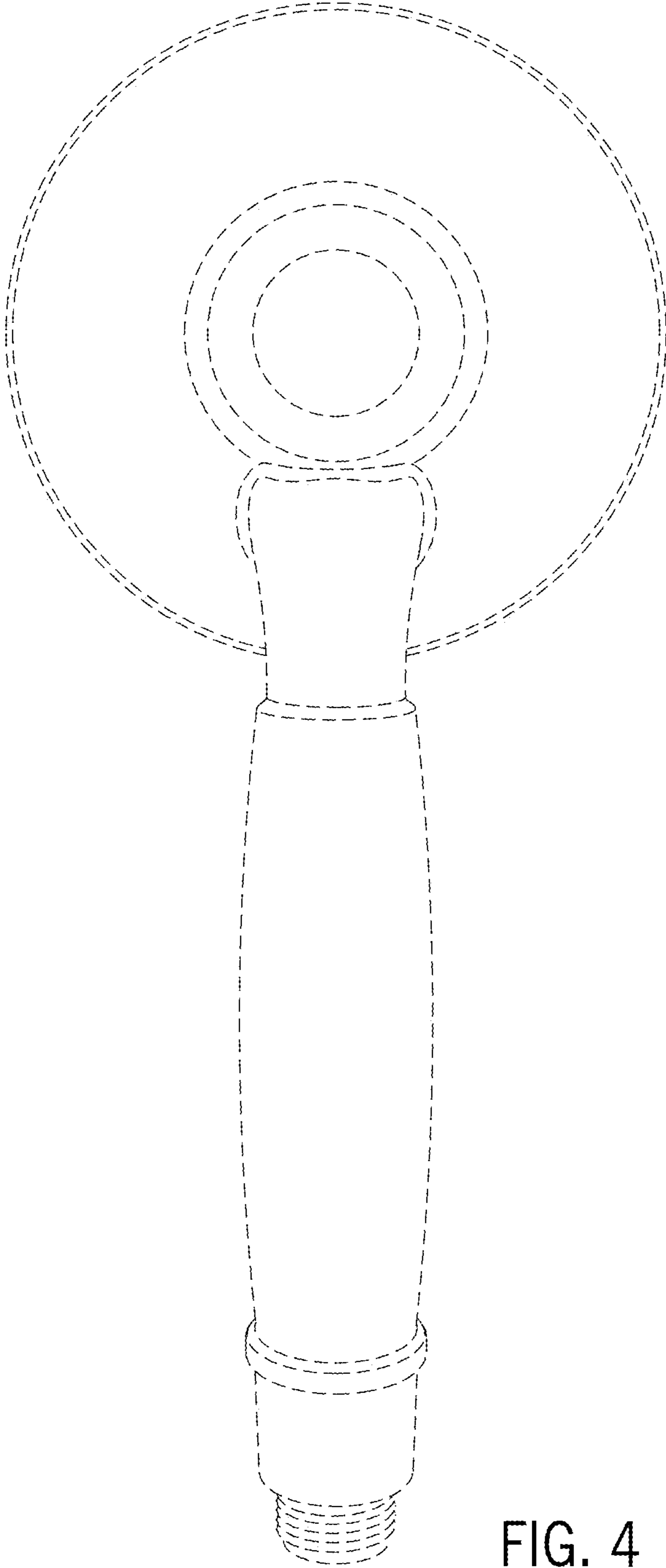


FIG. 4

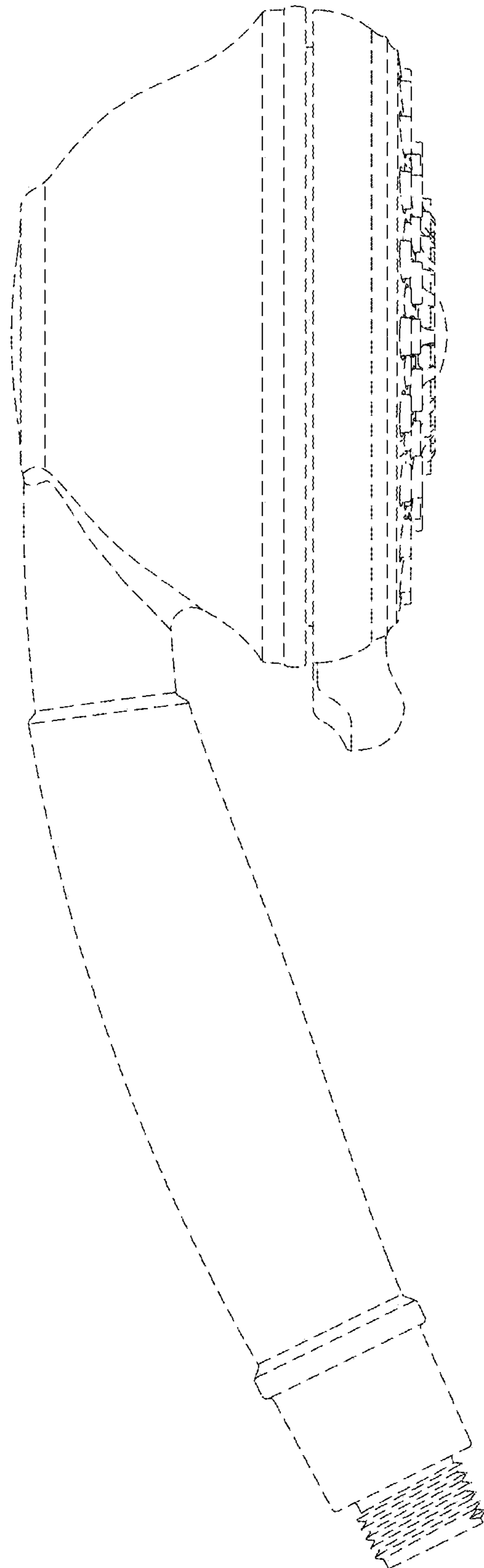


FIG. 5

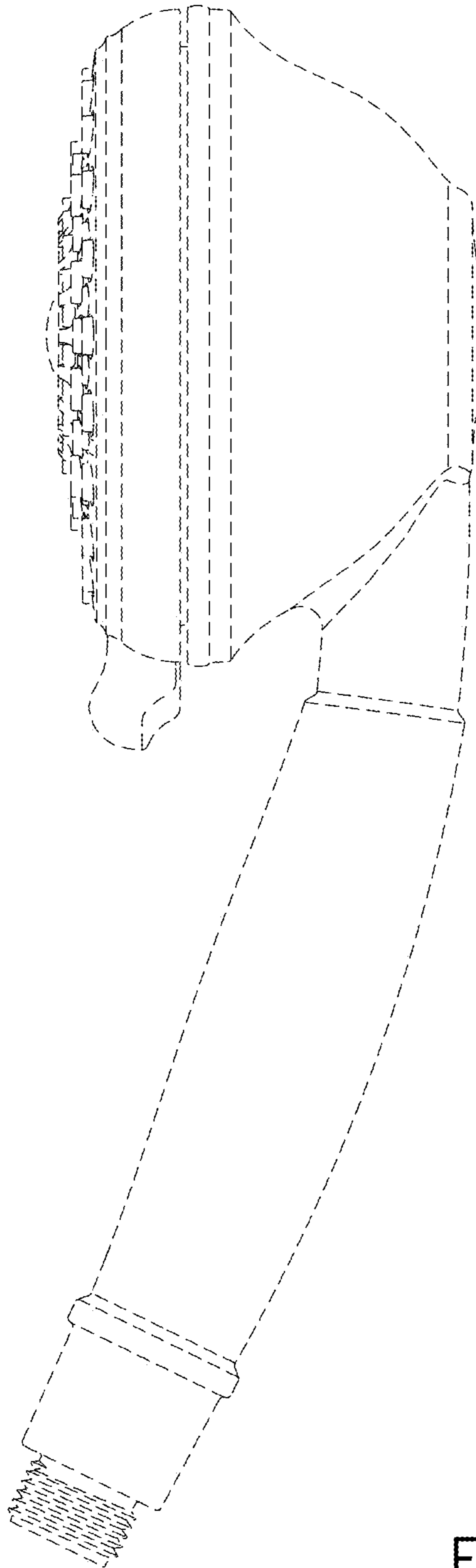


FIG. 6

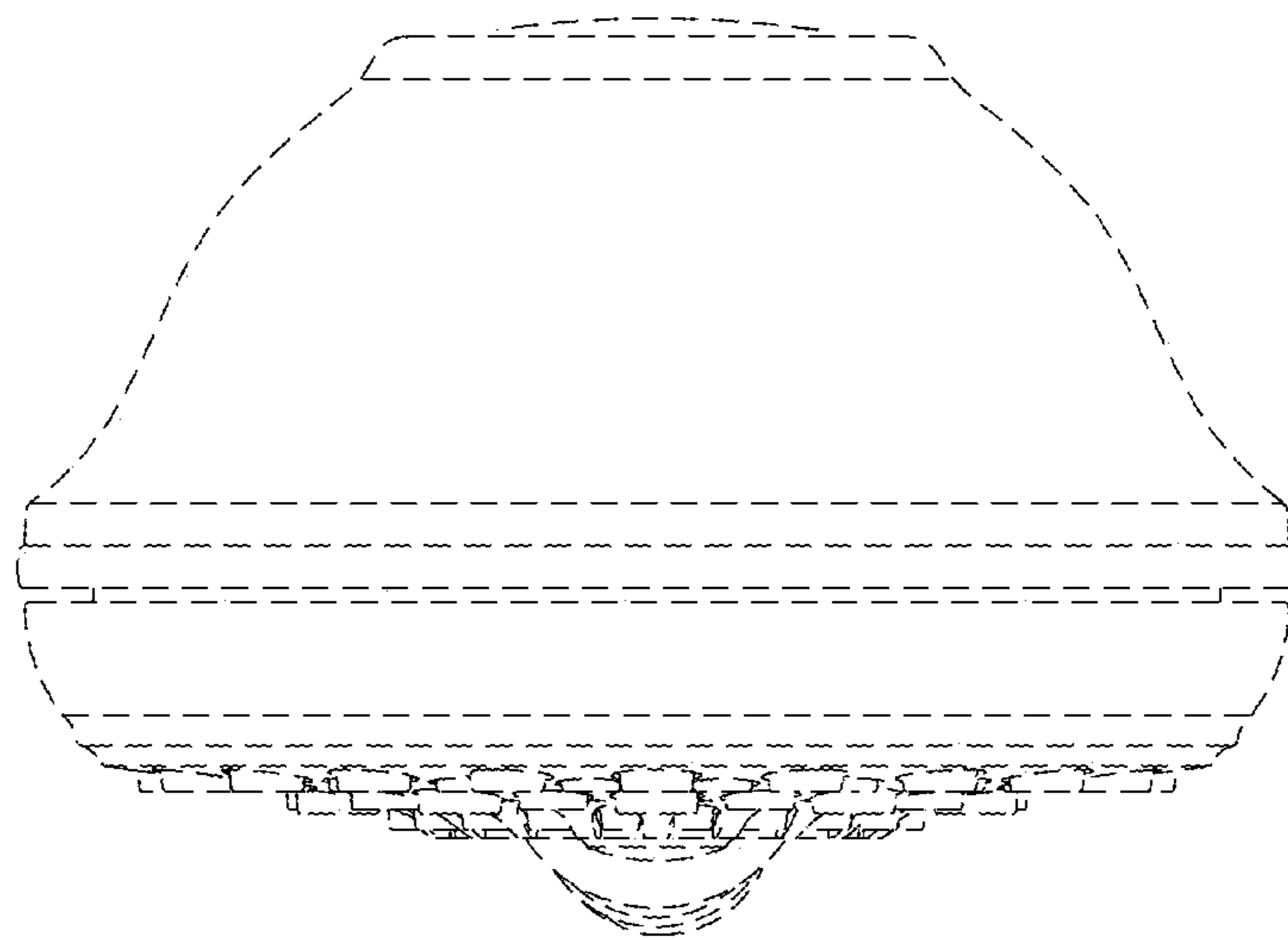


FIG. 7

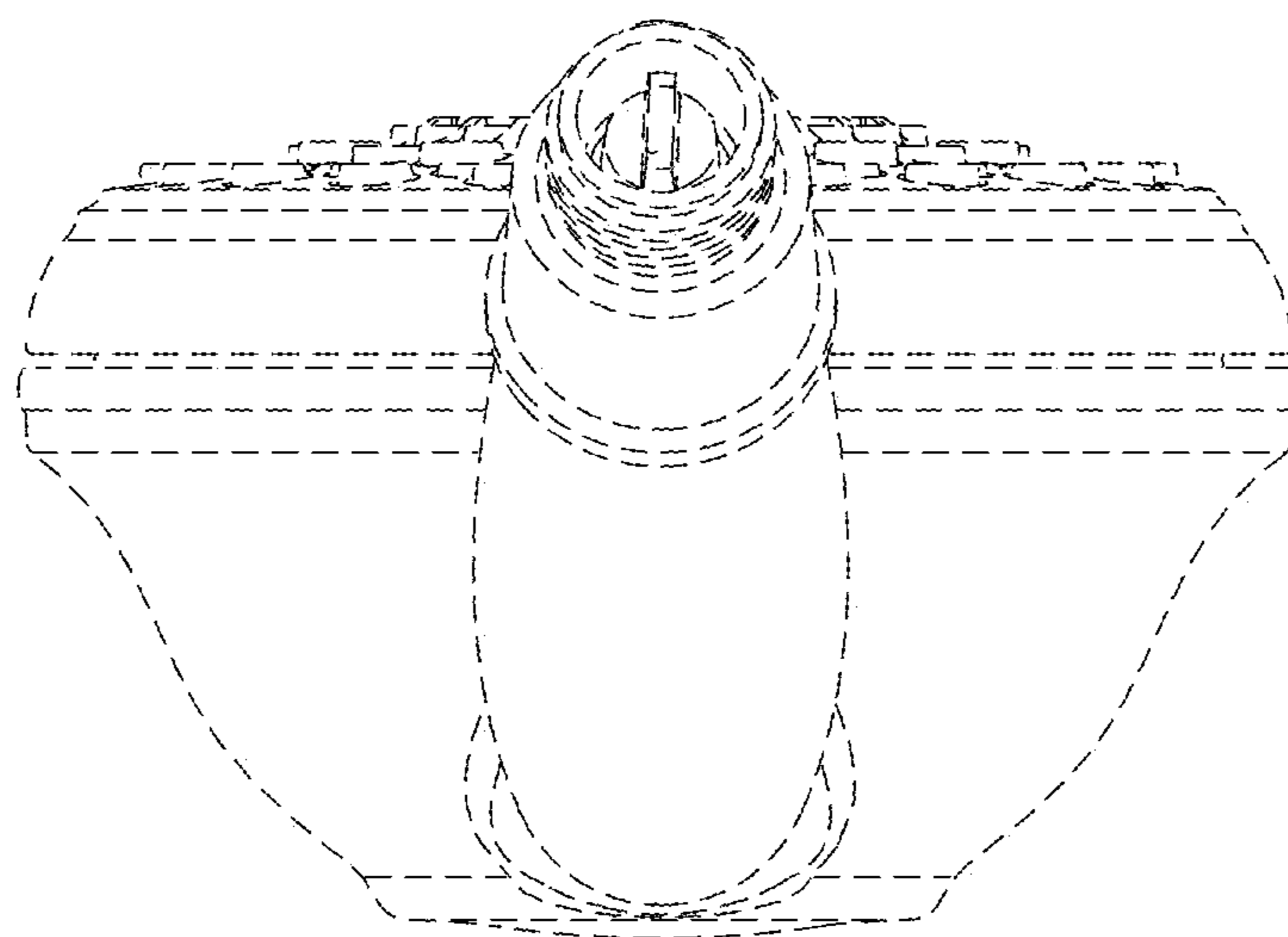


FIG. 8

FIG. 9

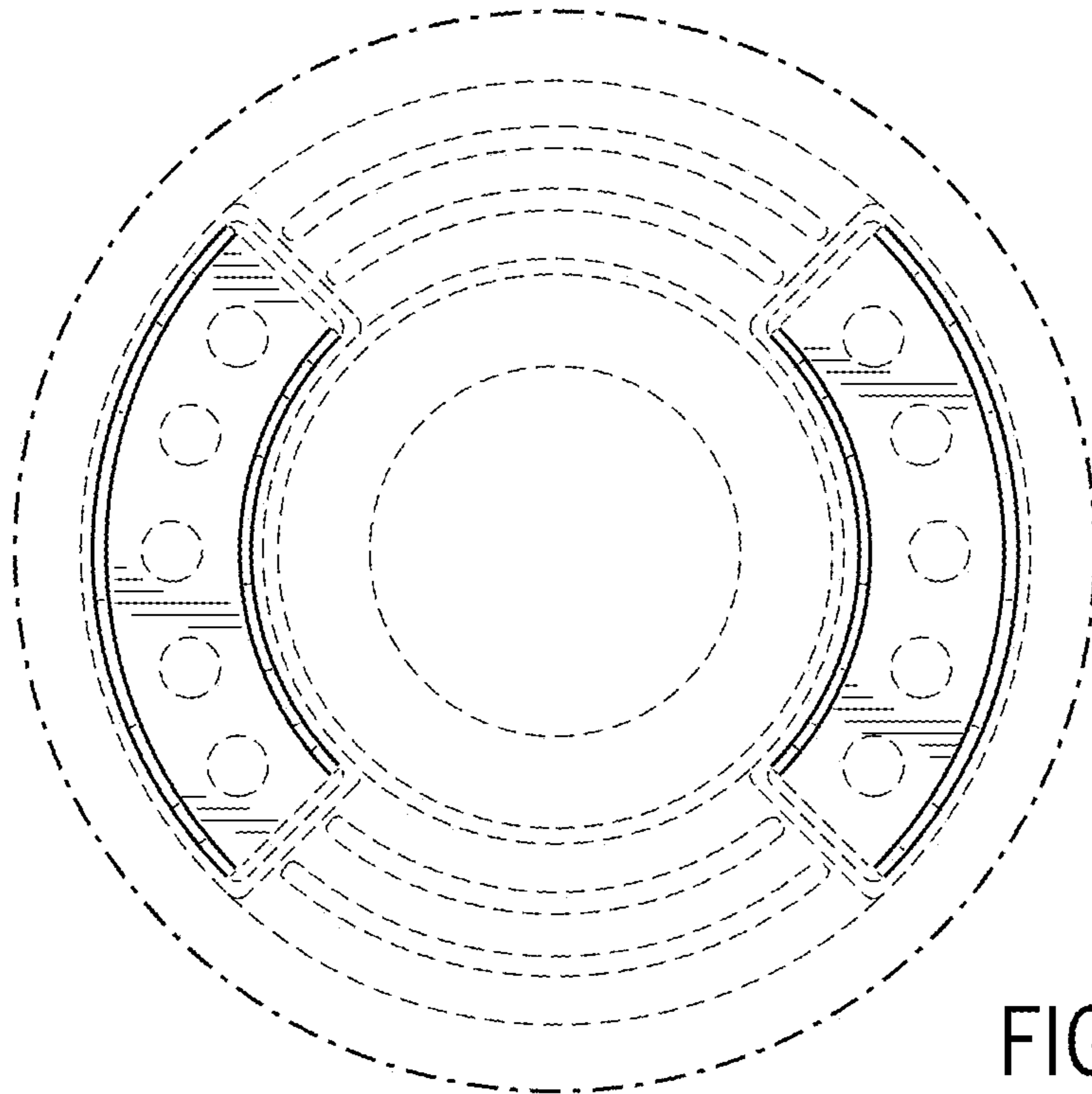
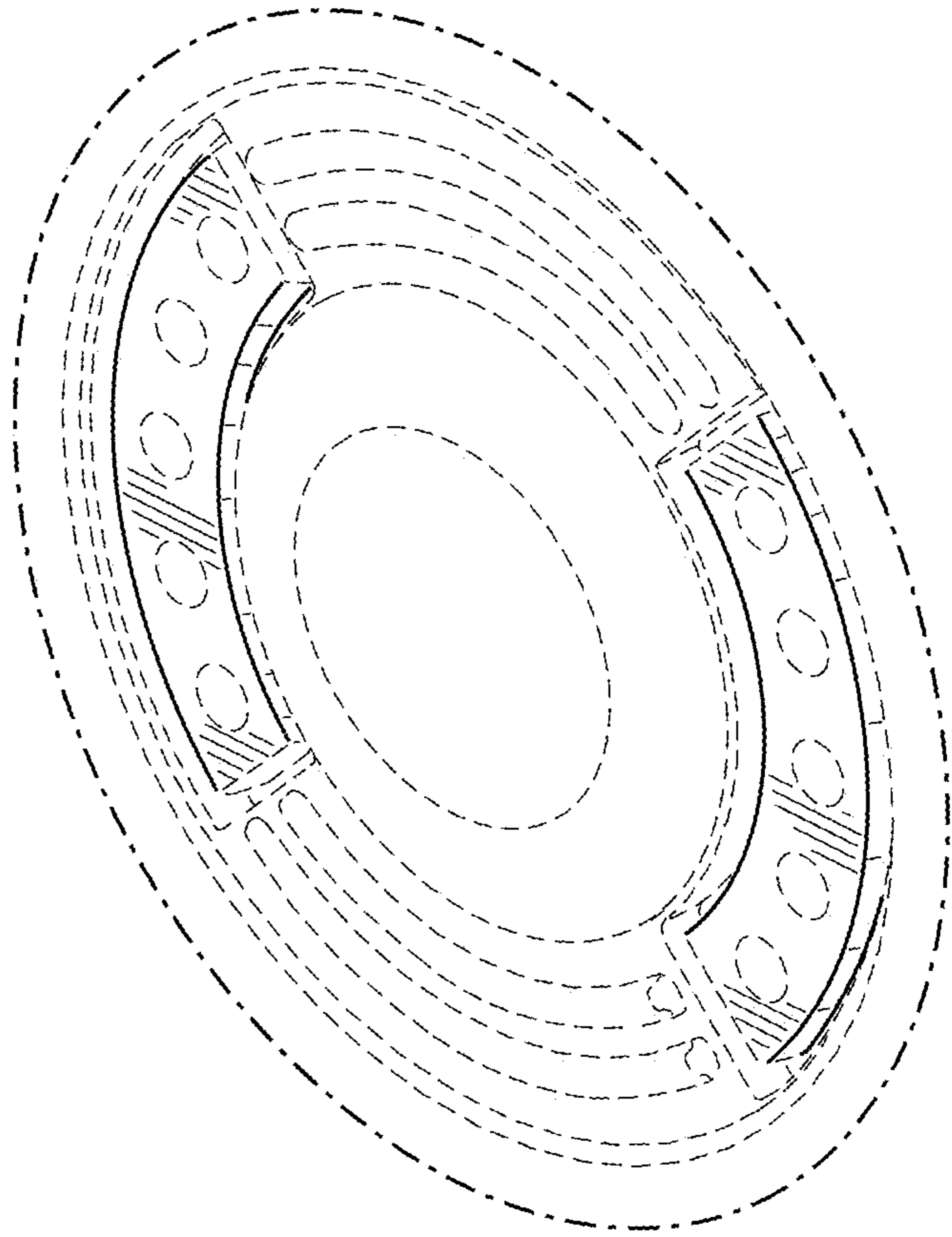


FIG. 10