

US00D960293S

(12) **United States Design Patent** (10) **Patent No.:** **US D960,293 S**  
**Brauch et al.** (45) **Date of Patent:** **\*\* Aug. 9, 2022**

(54) **NOZZLE FOR A FLUID**

(71) Applicants: **Joseph K. Brauch**, Aurora, CO (US);  
**Christopher D. Hanson**, Arvada, CO (US)

(72) Inventors: **Joseph K. Brauch**, Aurora, CO (US);  
**Christopher D. Hanson**, Arvada, CO (US)

(73) Assignee: **MEURER RESEARCH, INC.**,  
Golden, CO (US)

(\*\*) Term: **15 Years**

(21) Appl. No.: **29/664,788**

(22) Filed: **Sep. 27, 2018**

(51) **LOC (13) Cl.** ..... **23-01**

(52) **U.S. Cl.**  
USPC ..... **D23/213**

(58) **Field of Classification Search**  
USPC ..... D23/213, 214, 215, 223, 224, 226, 229,  
D23/230  
CPC ..... A61H 9/0021; A61H 33/00; B05B 1/00;  
B05B 1/14; B05B 1/185; B05B 1/08;  
B05B 1/02; B05B 1/26; B05B 12/002;  
B05B 1/18; B05B 9/01  
See application file for complete search history.

(56) **References Cited**

U.S. PATENT DOCUMENTS

630,962 A	8/1899	Wood
1,918,742 A	7/1933	Elrod
2,646,889 A	7/1953	Dulak
2,980,934 A	4/1961	Steindorf
3,228,524 A	1/1966	Richards
3,333,704 A	8/1967	McGivern et al.
3,353,683 A	11/1967	Geiger

(Continued)

FOREIGN PATENT DOCUMENTS

EP 0544096 6/1993  
EP 2335799 6/2011

(Continued)

OTHER PUBLICATIONS

A Guide to Parts and Equipment Washing, Rinsing and Drying Using Spray Technolog, Jan. 1, 2017, spray.com, Oct. 6, 2021, URL: [https://www.spray.com/-/media/dam/industrial/usa/sales-material/product-market-bulletin/b636\\_parts\\_equipment\\_cleaning.pdf](https://www.spray.com/-/media/dam/industrial/usa/sales-material/product-market-bulletin/b636_parts_equipment_cleaning.pdf) (Year: 2017).\*

(Continued)

*Primary Examiner* — Keith J Wilson

(74) *Attorney, Agent, or Firm* — Sheridan Ross P.C.

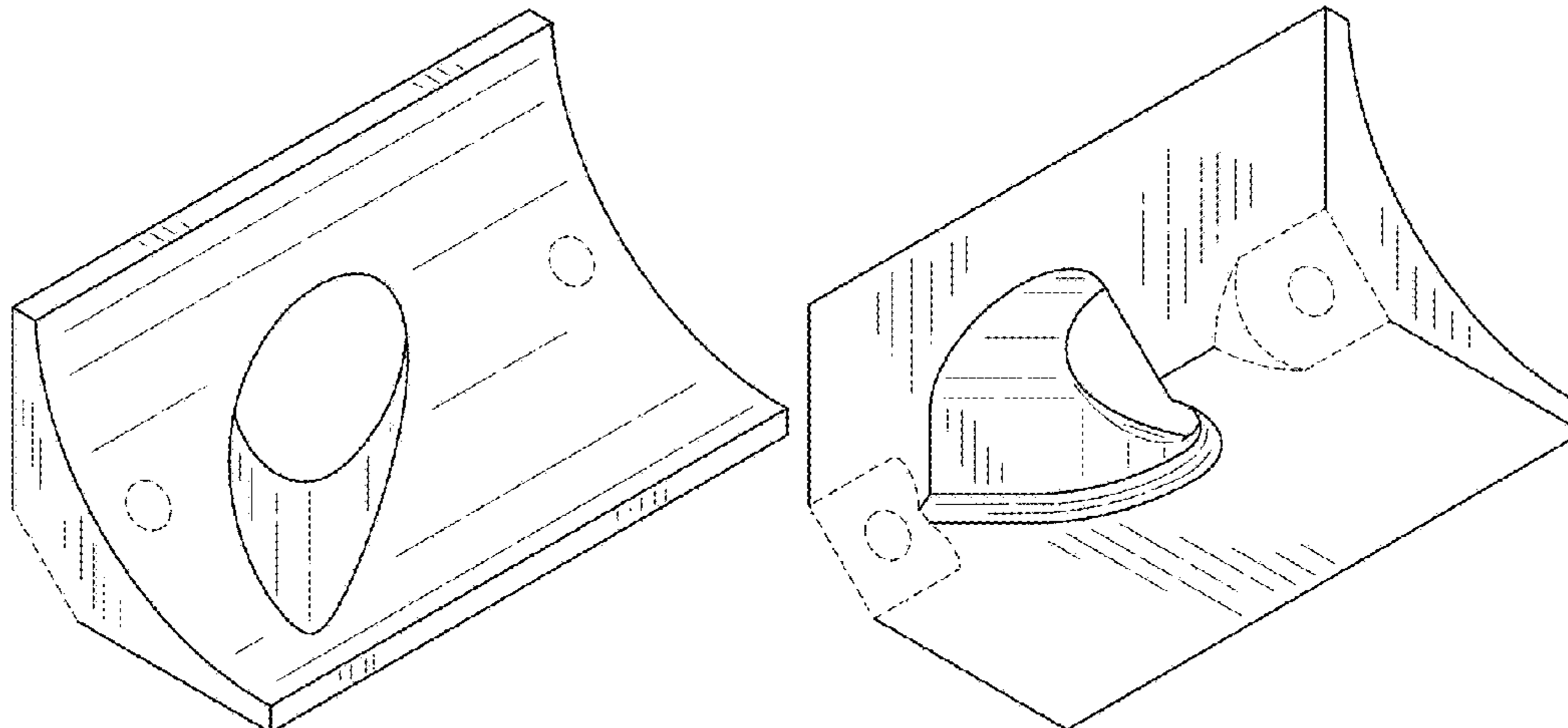
(57) **CLAIM**

The ornamental design for a nozzle for a fluid, as shown and described.

**DESCRIPTION**

FIG. 1 is a top perspective view of a nozzle for a fluid according to the claimed design;  
FIG. 2 is a bottom perspective view of the nozzle for a fluid of FIG. 1;  
FIG. 3 is a front elevation view of the nozzle for a fluid of FIG. 1;  
FIG. 4 is a rear elevation view of the nozzle for a fluid of FIG. 1;  
FIG. 5 is a right elevation view of the nozzle for a fluid of FIG. 1;  
FIG. 6 is a left elevation view of the nozzle for a fluid of FIG. 1;  
FIG. 7 is a top plan view of the nozzle for a fluid of FIG. 1; and,  
FIG. 8 is a bottom plan view of the nozzle for a fluid of FIG. 1.

(Continued)



The broken line showing of a nozzle for a fluid is included for the purpose of illustrating portions of the article that forms no part of the claimed design.

**1 Claim, 4 Drawing Sheets**

(56)

**References Cited**

U.S. PATENT DOCUMENTS

3,416,176	A	12/1968	Ravitts	
3,494,462	A	2/1970	Baud	
3,616,651	A	11/1971	Chang et al.	
3,669,271	A	6/1972	McGivern	
3,707,737	A	1/1973	Brower	
3,797,664	A	3/1974	Pentz et al.	
3,807,560	A	4/1974	Pentz et al.	
3,959,838	A	6/1976	Hannah	
4,023,227	A	5/1977	Chauvier	
4,065,391	A	12/1977	Farabaugh	
4,090,966	A	5/1978	Clendenen	
4,099,966	A	7/1978	Chivinsky et al.	
4,144,174	A	3/1979	Graham et al.	
4,193,871	A	3/1980	White et al.	
4,276,165	A	6/1981	Chamberlain	
4,383,922	A	5/1983	Beard	
4,401,576	A	8/1983	Meurer	
4,477,939	A	10/1984	White	
4,514,303	A	4/1985	Moore	
4,551,246	A	11/1985	Coffing	
4,555,340	A	11/1985	Boyle	
5,047,150	A	9/1991	Mitchell	
5,059,312	A	10/1991	Galletti	
5,108,586	A	4/1992	Iwashige	
5,366,638	A	11/1994	Moore	
5,427,685	A	6/1995	Thorley	
5,693,218	A	12/1997	Yamamoto et al.	
5,911,241	A	6/1999	Roberts	
5,914,049	A	6/1999	Brauch et al.	
6,045,709	A	4/2000	Roberts	
6,234,323	B1	5/2001	Sarrouh	
D450,804	S *	11/2001	Srinath	D23/213
D458,342	S *	6/2002	Johnson	D23/213
6,497,249	B1	12/2002	Swan et al.	
D473,927	S *	4/2003	Johnson	D23/213
D474,255	S *	5/2003	Johnson	D23/213
D481,102	S *	10/2003	Marshik	D23/213
6,951,620	B2	10/2005	Brauch et al.	
7,021,472	B1	4/2006	Meurer	
D531,282	S *	10/2006	Jeong	D23/262

7,159,724	B2	1/2007	Brauch et al.	
7,219,849	B1 *	5/2007	Hedger	B05B 1/26 239/543
D555,762	S *	11/2007	Jaeb	D23/213
D556,858	S *	12/2007	Franson	D23/214
D567,327	S *	4/2008	Rigolio	D23/213
D587,576	S *	3/2009	Miller	D9/448
8,657,901	B2	2/2014	Chapman	
D723,658	S *	3/2015	Meister	D23/213
9,067,727	B2	6/2015	Roberts et al.	
9,764,257	B2	9/2017	Dissinger	
D832,976	S *	11/2018	Tabata	D23/213
D851,727	S *	6/2019	Krombein	D23/213
D889,961	S *	7/2020	Swart	D9/447
D913,418	S *	3/2021	Mather	D23/213
D922,521	S *	6/2021	Ross	D23/213
D926,922	S *	8/2021	Arenson	D23/213
D928,284	S *	8/2021	Chin	D23/213
D928,285	S *	8/2021	Chin	D23/213
D935,554	S *	11/2021	Lazarini	D23/213
D938,548	S *	12/2021	Herrington	D23/207
2001/0052493	A1	12/2001	Bryan et al.	
2004/0222170	A1	11/2004	Hauge et al.	
2006/0175251	A1	8/2006	Roberts	
2013/0118618	A1	5/2013	Roberts	
2021/0299709	A1 *	9/2021	Schoettle	B05B 15/658

FOREIGN PATENT DOCUMENTS

GB	1329599	9/1973
GB	1429853	3/1976
WO	WO 98/012145	3/1998
WO	WO 2011/067336	6/2011

OTHER PUBLICATIONS

Eforlike 4 Piece Antique Metal Box Corner Protector Edge, Nov. 3, 2019, amazon.com, Oct. 6, 2021 ,URL: <https://www.amazon.com/Eforlike-Antique-Protector-Cabinet-Furniture/dp/B07VRLZ7FN> (Year: 2019).\*

Uxcell 1/4BSP 304 Stainless Steel Wide Angle, Dec. 23, 2018, amazon.com, Dec. 23, 2021,URL: <https://www.amazon.com/uxcell-Stainless-Steel-Angle-Nozzle/dp/B078RMVCM3> (Year: 2018).\*

M Mingle Foam Cannon Orifice Nozzle Tips, High Replacement Thread Nozzle, May 12, 2018, amazon.com, Dec. 23, 2021,URL: <https://www.amazon.com/Mingle-Cannon-Orifice-Nozzle-Replacement/dp/B07F81LHP8> (Year: 2018).\*

Notice of Allowance for U.S. Appl. No. 16/144,645, dated Feb. 11, 2020, 8 pages.

U.S. Appl. No. 16/144,645, filed Sep. 27, 2018, Brauch et al.

U.S. Appl. No. 16/893,975, filed Jun. 5, 2020, Brauch et al.

\* cited by examiner

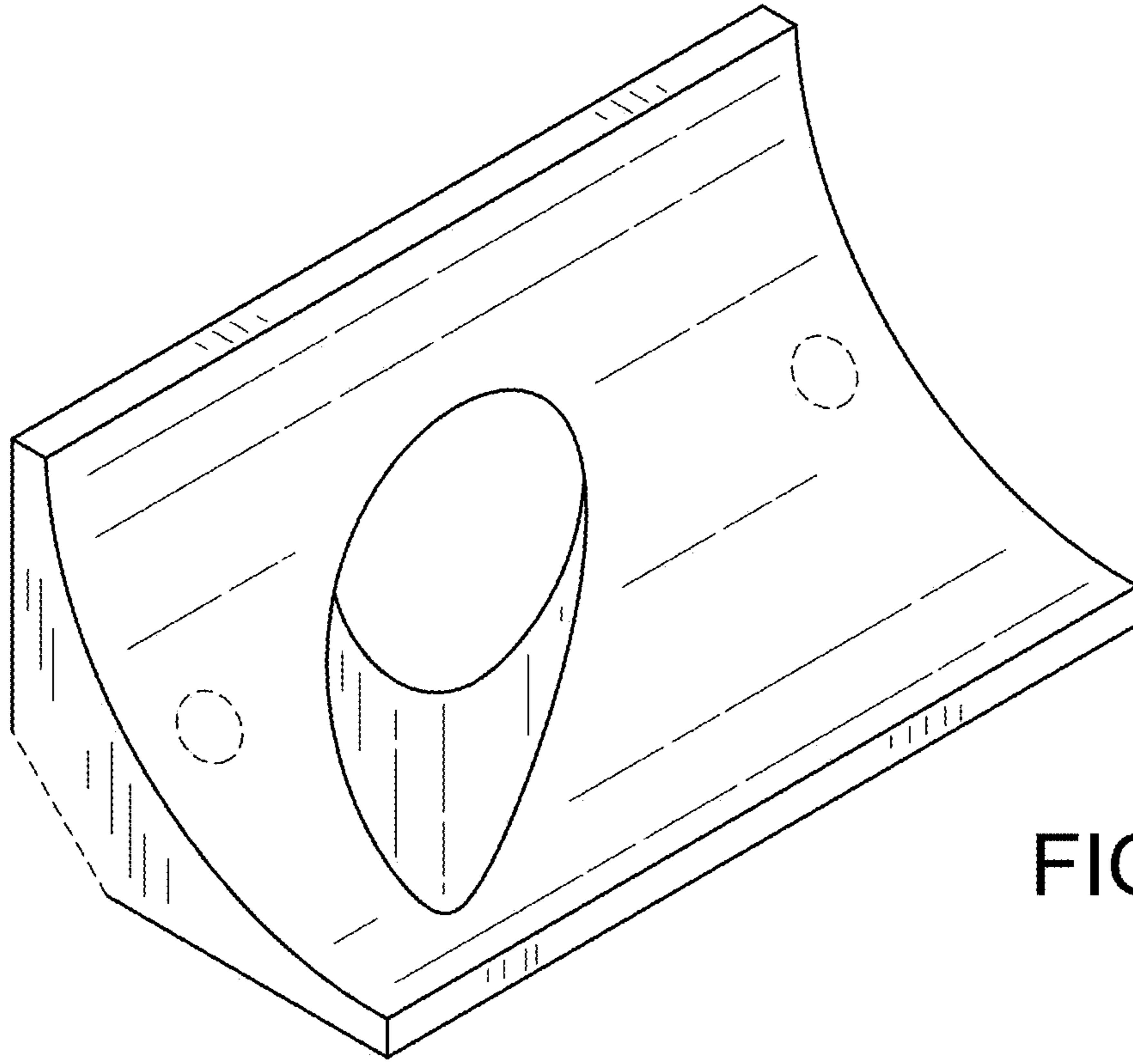


FIG.1

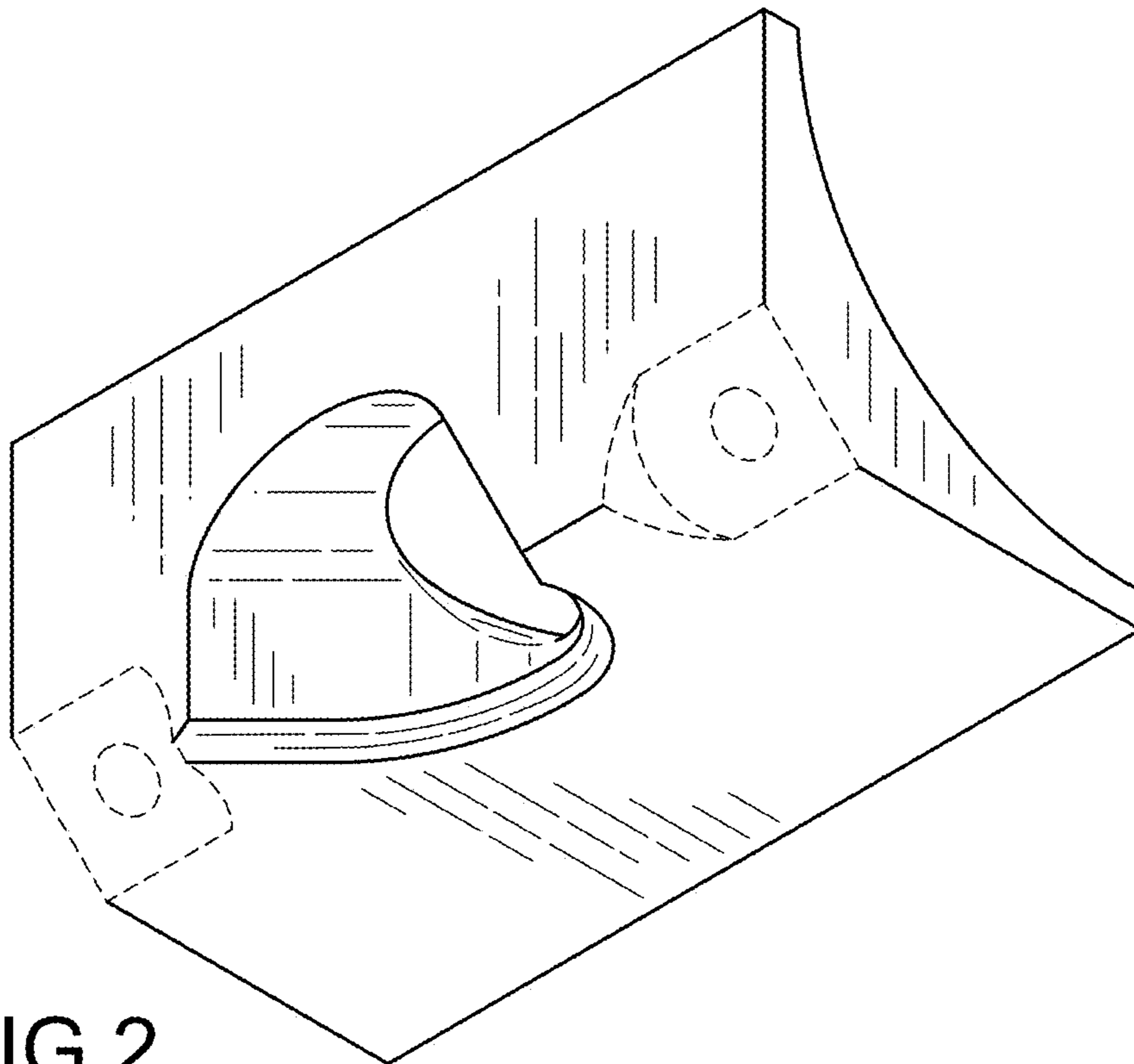


FIG.2

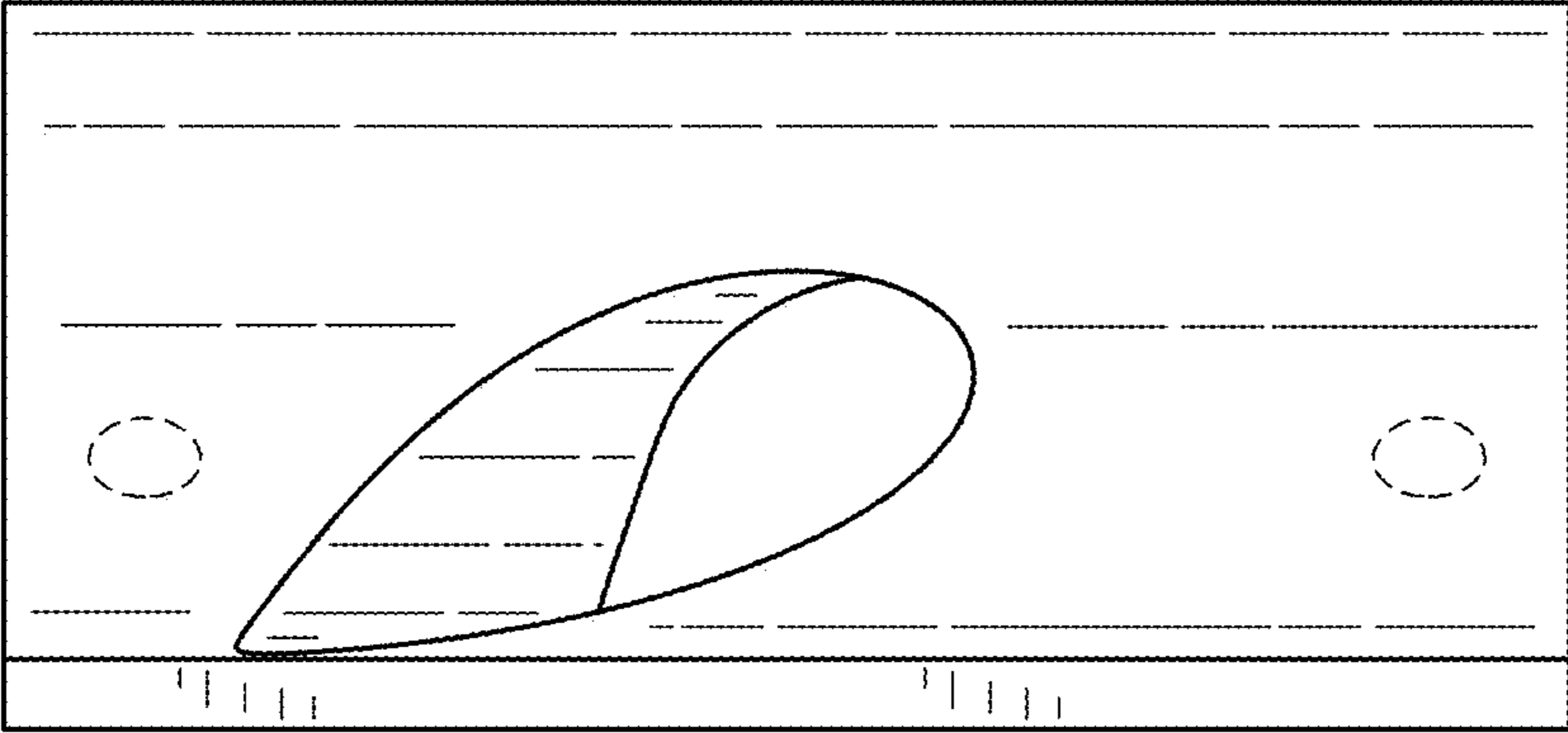


FIG.3

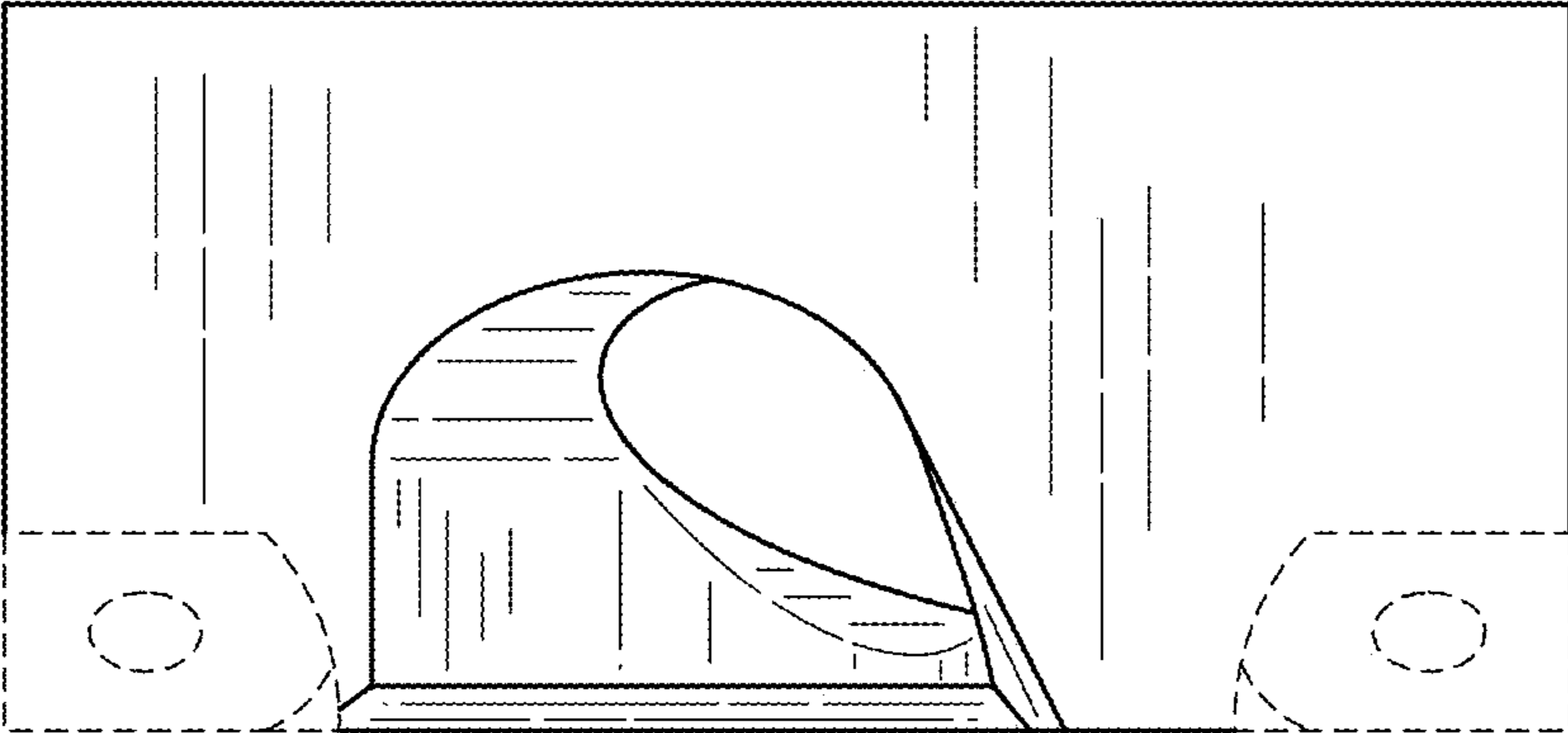


FIG.4

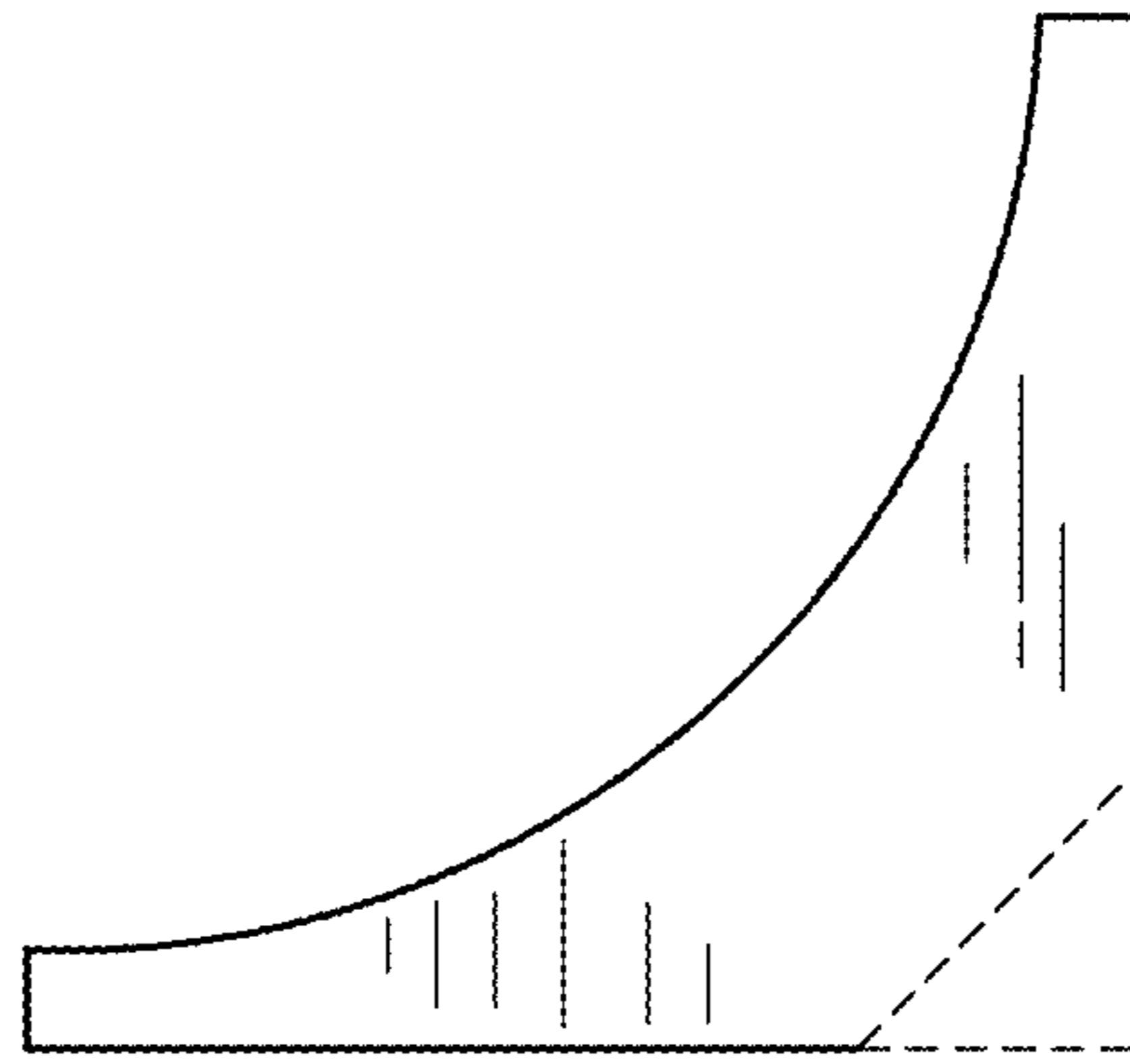


FIG. 5

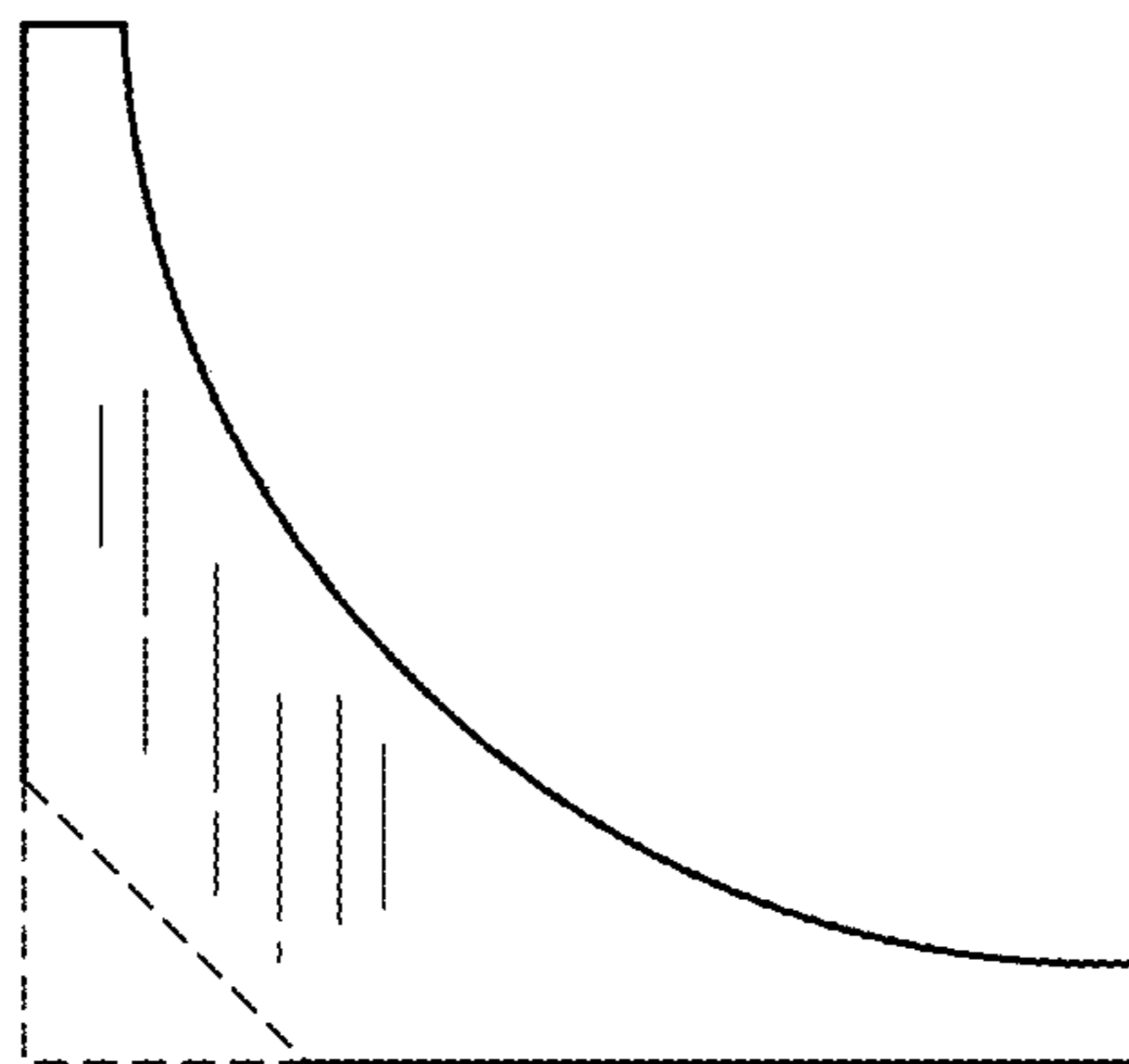


FIG. 6

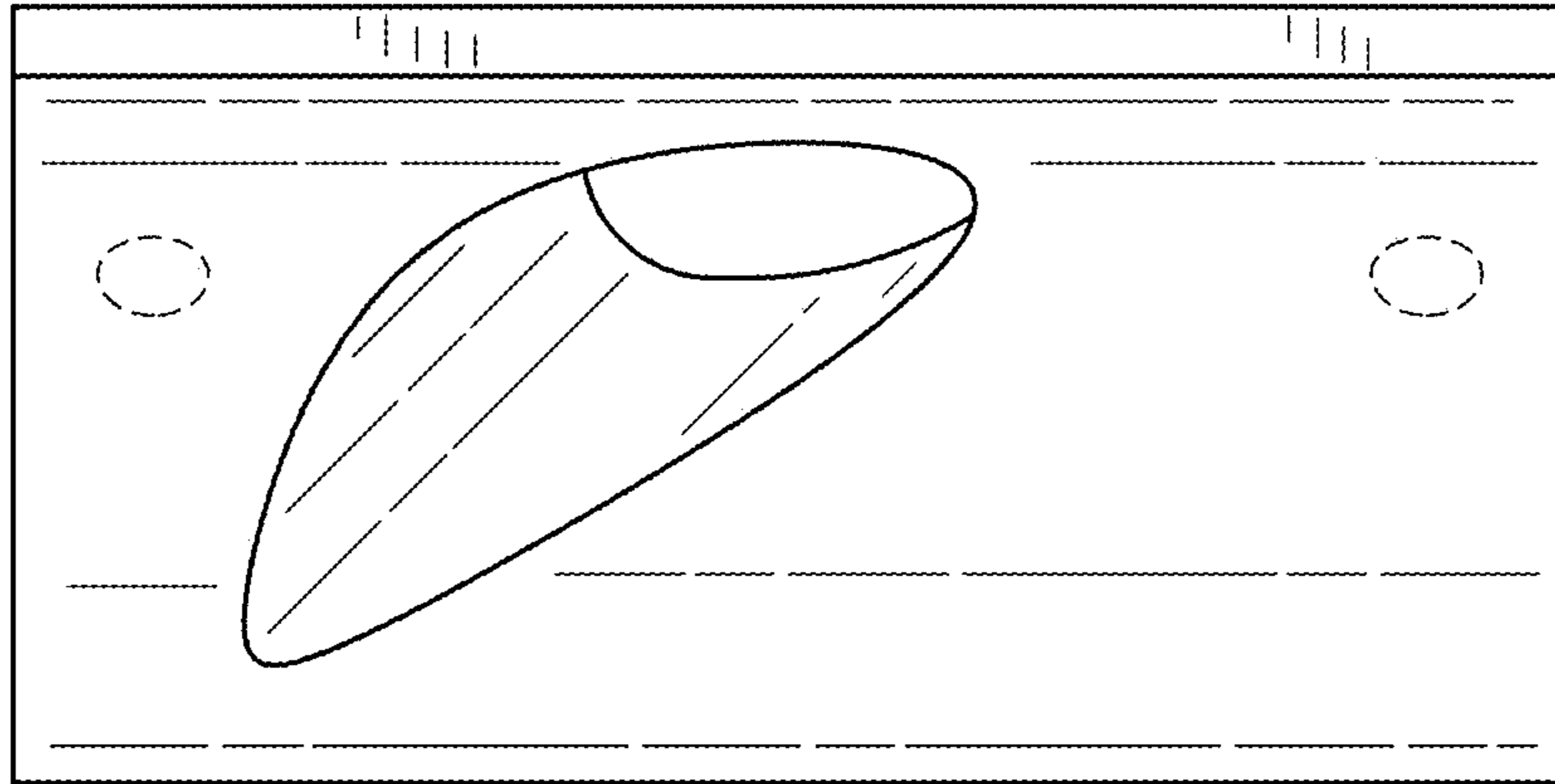


FIG. 7

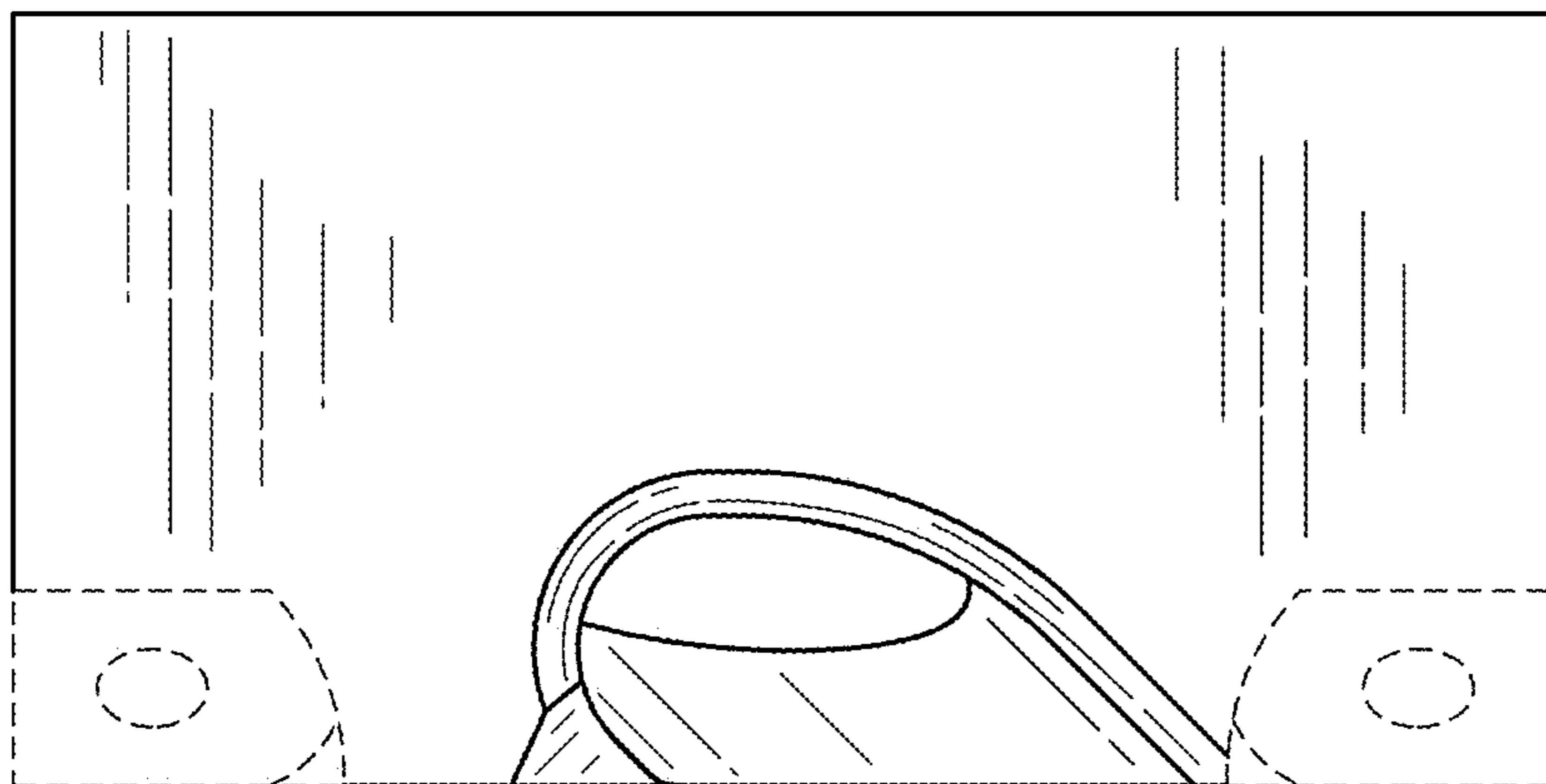


FIG. 8