



US00D960292S

(12) **United States Design Patent** (10) **Patent No.:** **US D960,292 S**
Park (45) **Date of Patent:** **** Aug. 9, 2022**

(54) **NOZZLE FOR AUTOMOBILE PAINTING**

(71) Applicant: **Sang Eun Park**, Hwaseong-si (KR)

(72) Inventor: **Sang Eun Park**, Hwaseong-si (KR)

(**) Term: **15 Years**

(21) Appl. No.: **29/662,527**

(22) Filed: **Sep. 6, 2018**

(30) **Foreign Application Priority Data**

Mar. 6, 2018 (KR) 30-2018-0010940

(51) **LOC (13) Cl.** **23-01**

(52) **U.S. Cl.**
USPC **D23/213**

(58) **Field of Classification Search**
USPC D23/213-215, 223, 224, 225, 226, 229,
D23/230
CPC A61H 9/0021; A61H 33/00; B05B 1/00;
B05B 1/14; B05B 1/185; B05B 1/08;
B05B 1/02; B05B 1/26; B05B 12/002;
B05B 1/18; B05B 9/01
See application file for complete search history.

(56) **References Cited**

U.S. PATENT DOCUMENTS

D418,901 S *	1/2000	Gorney	D23/214
D503,461 S *	3/2005	Ouyoung	D23/229
D580,022 S *	11/2008	Gilbert	D23/255
D580,023 S *	11/2008	Gilbert	D23/255
D620,079 S *	7/2010	Jian	D23/229
D714,424 S *	9/2014	Schoenherr	D23/229
D908,842 S *	1/2021	Johnson	D23/226
D911,488 S *	2/2021	Spater	D23/213
D922,526 S *	6/2021	Johnson	D23/226
D924,357 S *	7/2021	Lai	D23/213
D924,358 S *	7/2021	Park	D23/214
D933,158 S *	10/2021	Park	D23/213
D935,554 S *	11/2021	Lazarini	D23/213
D936,179 S *	11/2021	Murray	D23/223

(Continued)

OTHER PUBLICATIONS

Uouteo 0.2mm, 0.3mm, 0.5mm Airbrush Nozzle Tip, Dec. 3, 2020, Amazon.com, Aug. 30, 2021.URL: <https://www.amazon.com/dp/B08MDC13XB> (Year: 2020).*

(Continued)

Primary Examiner — Keith J Wilson

(74) *Attorney, Agent, or Firm* — Hauptman Ham, LLP

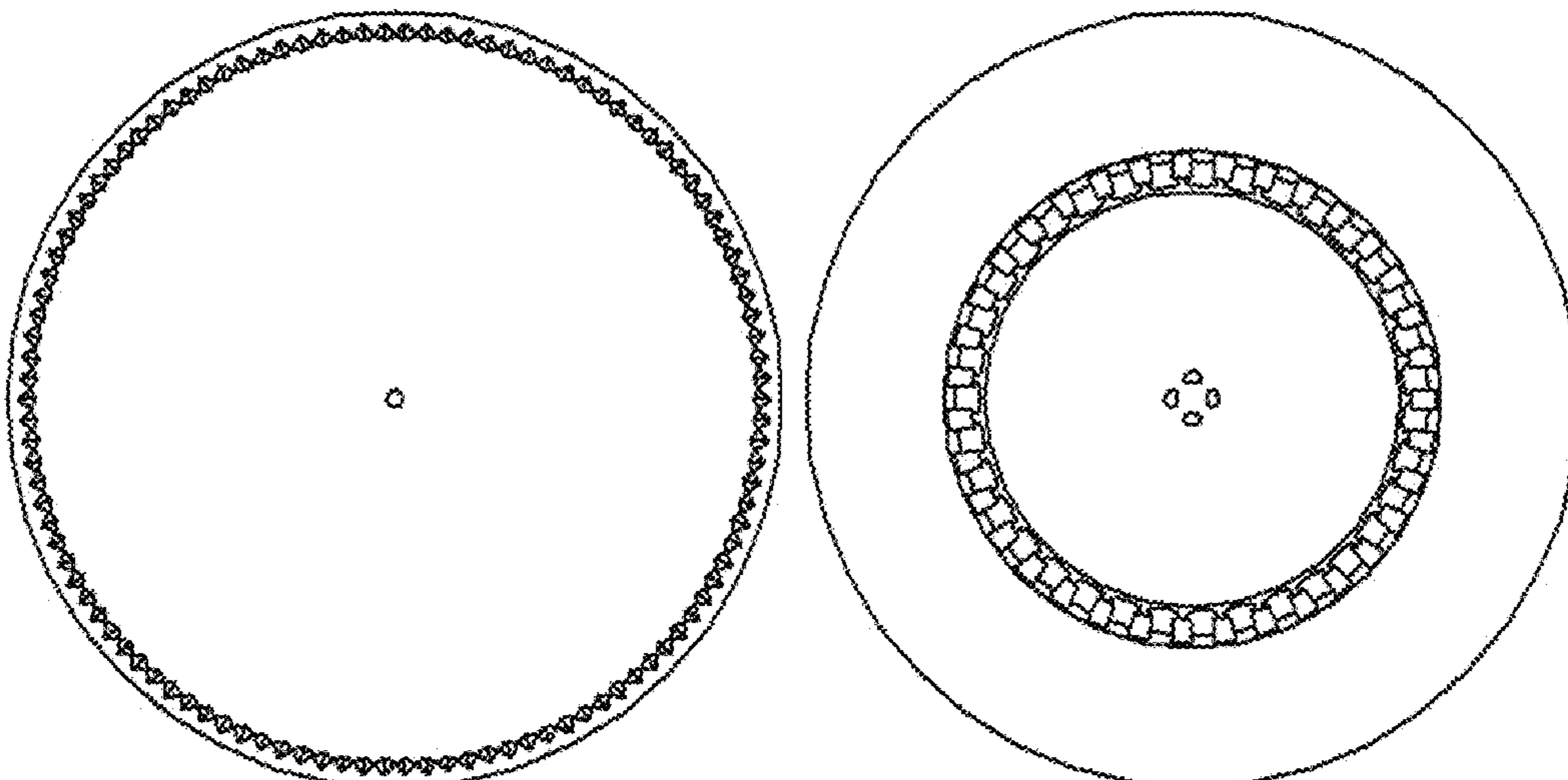
(57) **CLAIM**

A new, original, ornamental design for a nozzle for automobile painting, as shown.

DESCRIPTION

FIG. 1 is a perspective view of the nozzle for automobile painting where claimed inner body is attached to unclaimed external body;
FIG. 2 is a front view thereof, the back view being a mirror image thereof;
FIG. 3 is a left side view thereof, the right side view being a mirror image thereof;
FIG. 4 is a top view thereof;
FIG. 5 is a bottom view thereof;
FIG. 6 is a cross section view through section 6-6' of FIG. 4;
FIG. 7 is a perspective view where claimed inner body is detached from unclaimed external body;
FIG. 8 is an enlarged top view of claimed inner body thereof;
FIG. 9 is an enlarged bottom view of claimed inner body thereof; and,
FIG. 10 is an enlarged left side view of claimed inner body thereof.
The broken lines in the drawings show external body of the nozzle for automobile painting and form no part of the claimed design.

1 Claim, 8 Drawing Sheets



(56)

References Cited

U.S. PATENT DOCUMENTS

D936,784 S * 11/2021 Mercnik D23/213
D936,785 S * 11/2021 Vaughan D23/213
D936,787 S * 11/2021 Morgan D23/213
D937,384 S * 11/2021 Khubani D23/213

OTHER PUBLICATIONS

Master Airbrush Model G79, Apr. 16, 2009, Amazon.com, Aug. 30, 2021.URL: <https://www.amazon.com/dp/B0026SHUMA> (Year: 2009).*

TCP Global 1.4 Needle, Nozzle, Air Cap Set for The G6600 Series Spray Gun, Apr. 4, 2010, Amazon.com, Aug. 30, 2021.URL: <https://www.amazon.com/TCP-Global-NEEDLE-NOZZLE-G6600/dp/B003FZ1FKG> (Year: 2010).*

Ateco Sultan Tube (Protruding Cone), Silver (796), Feb. 28, 2018, amazon.com, Dec. 20, 2021, URL: <https://www.amazon.com/Ateco-Sultan-Tube-Protruding-Cone/dp/B07B4KKBVQ/> (Year: 2018).*

Ateco 259 One-Step Large Grass Tube, Apr. 24, 2018, amazon.com, Dec. 20, 2021, URL: <https://www.amazon.com/dp/B07CNFFWXJ> (Year: 2018).*

* cited by examiner

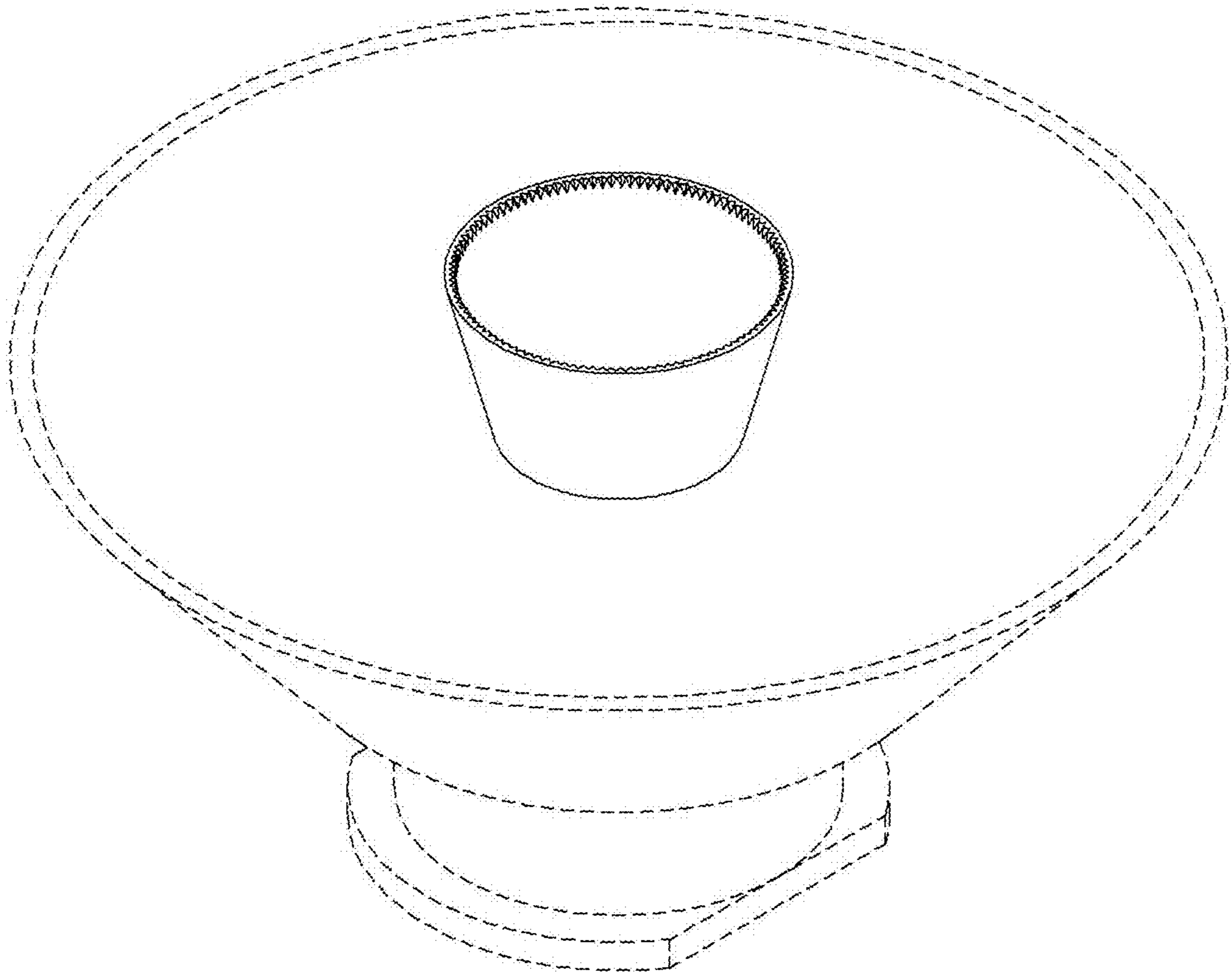


Fig. 1

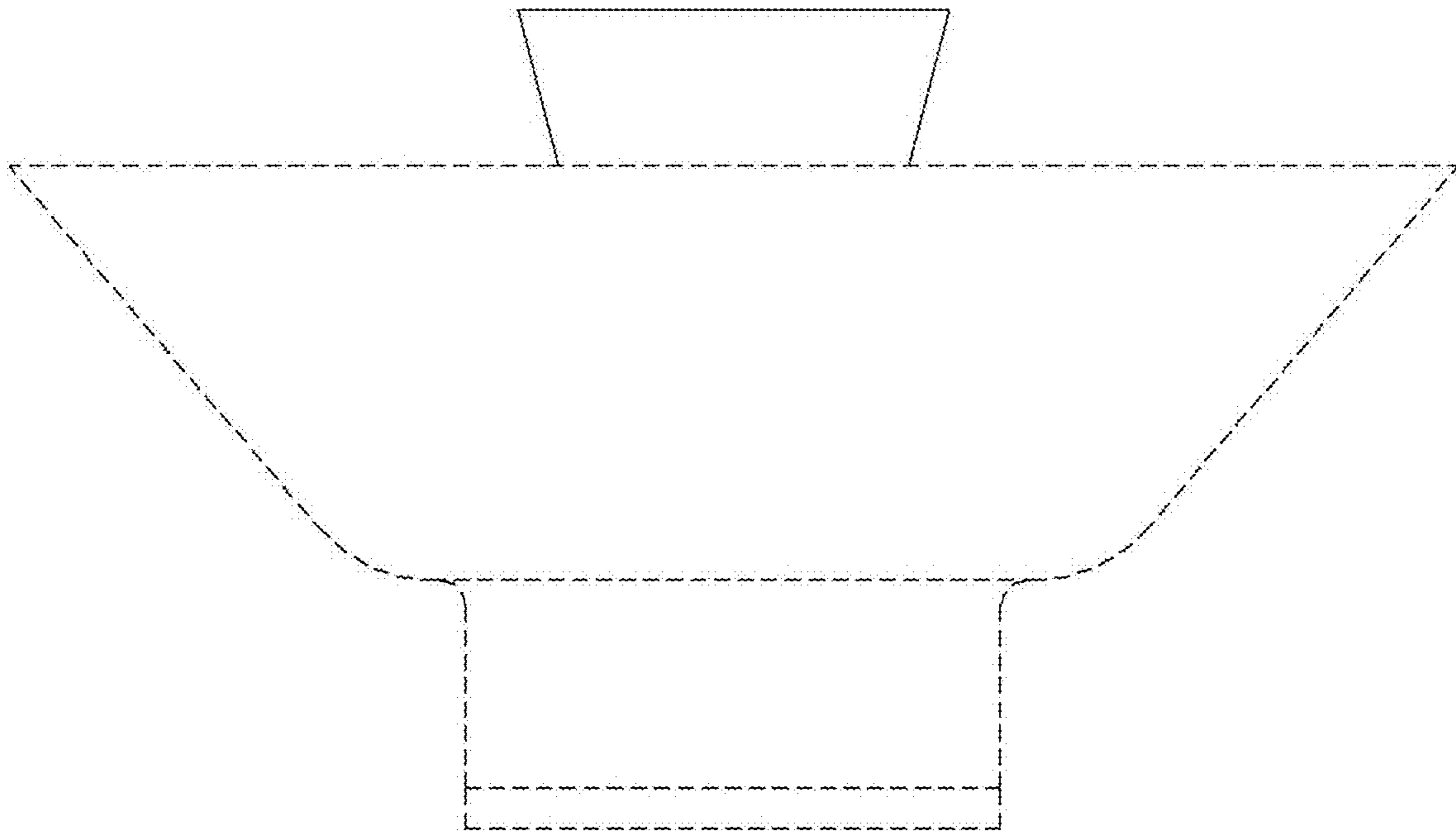


Fig. 2

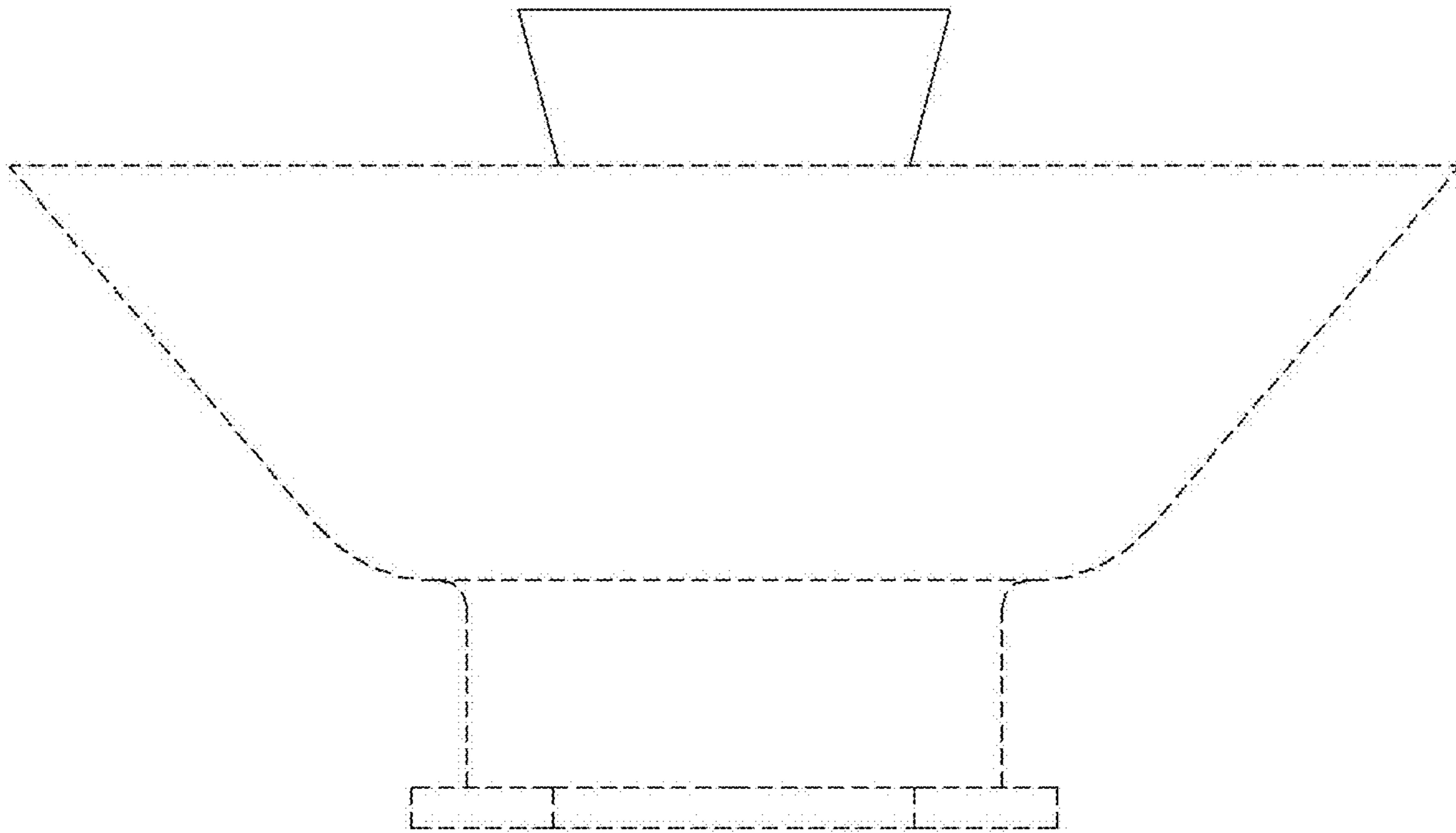


Fig. 3

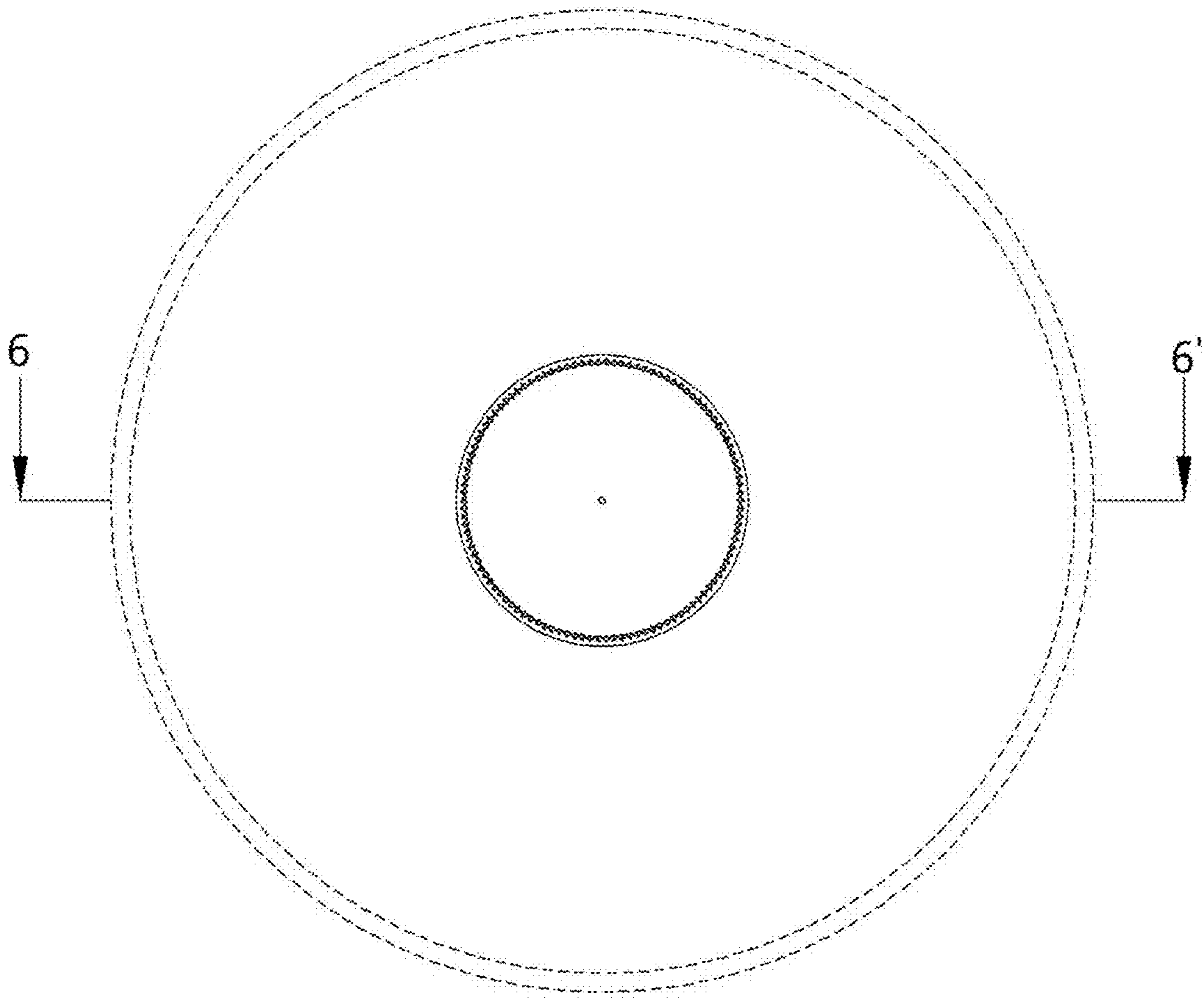


Fig. 4

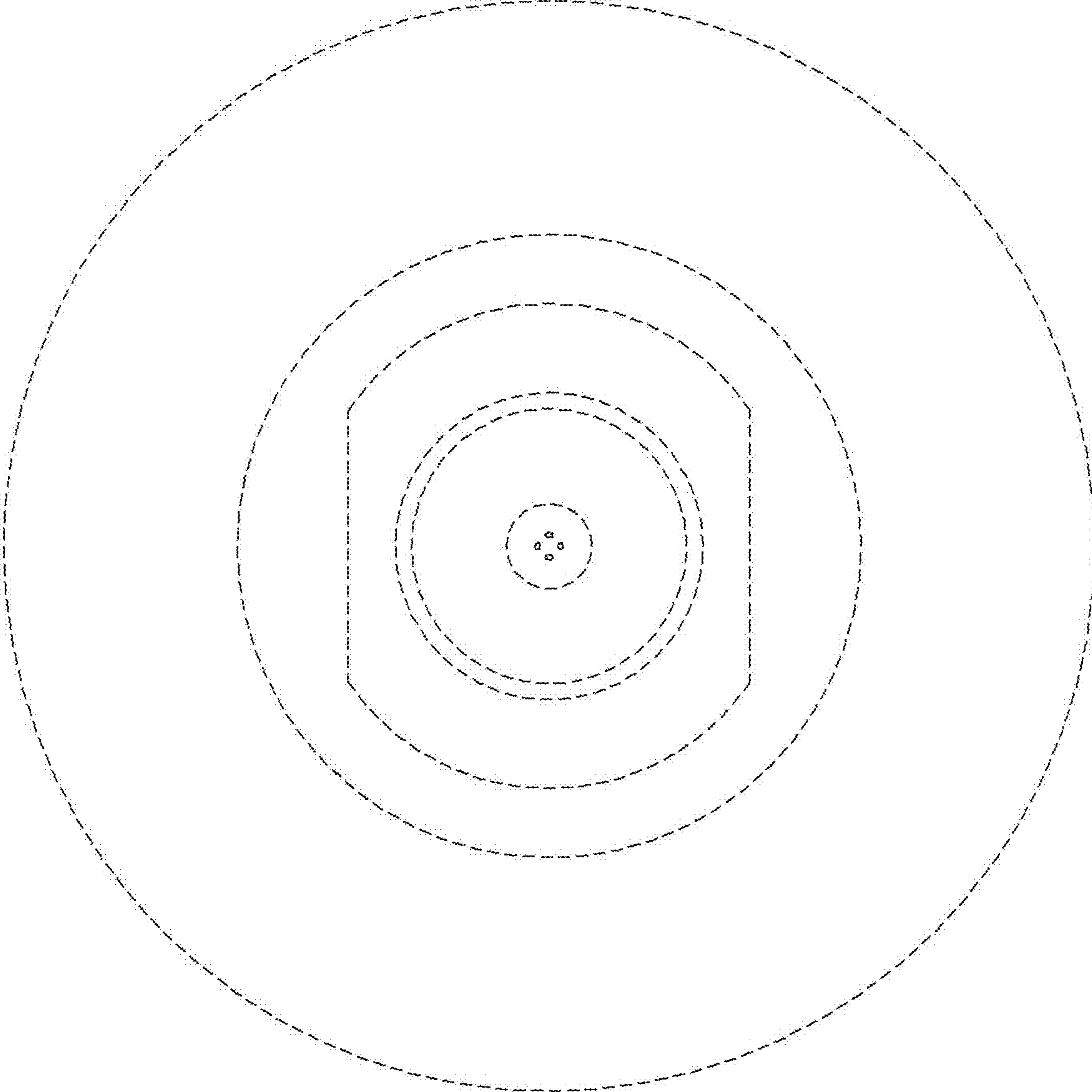


Fig. 5

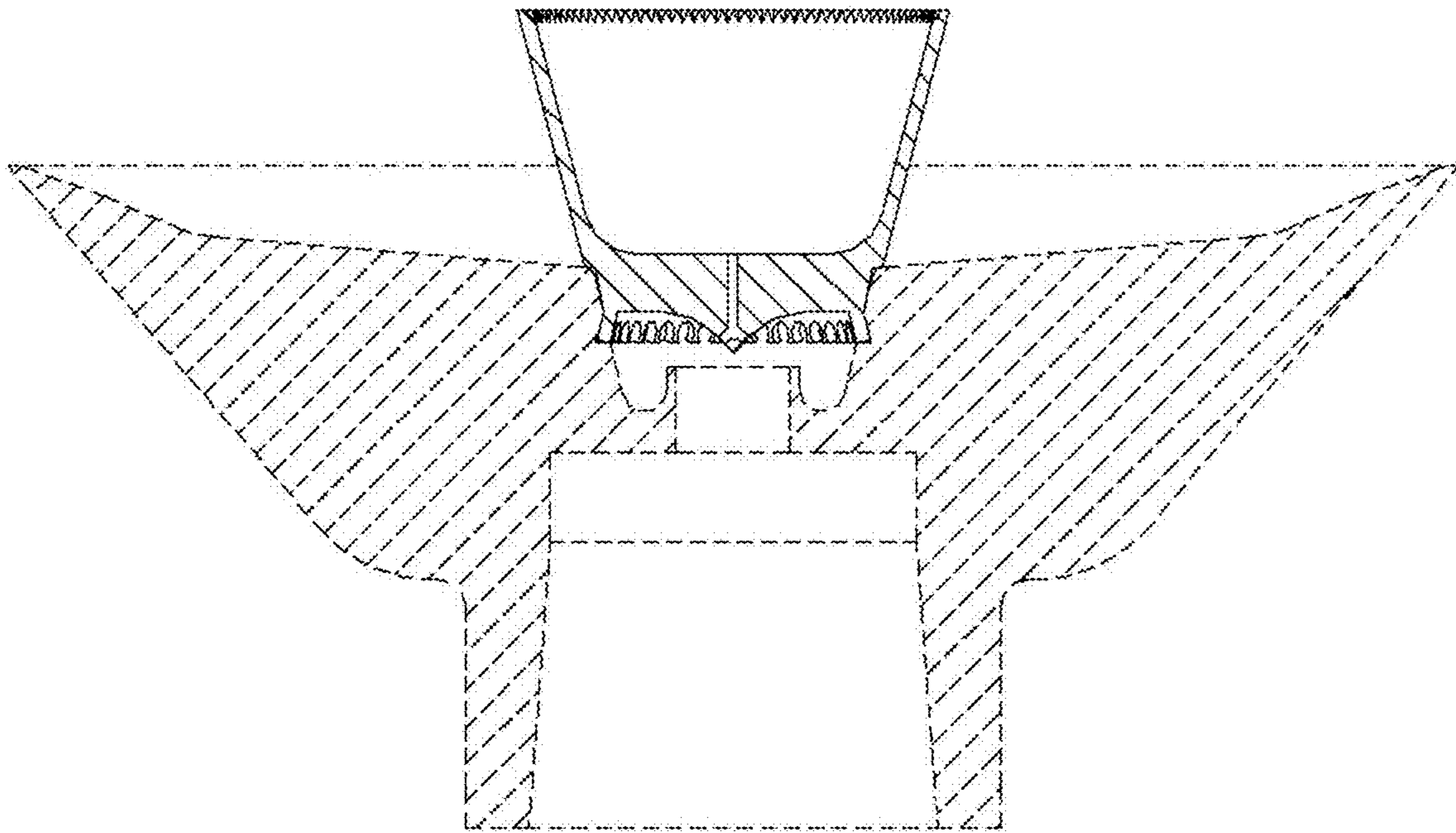


Fig. 6

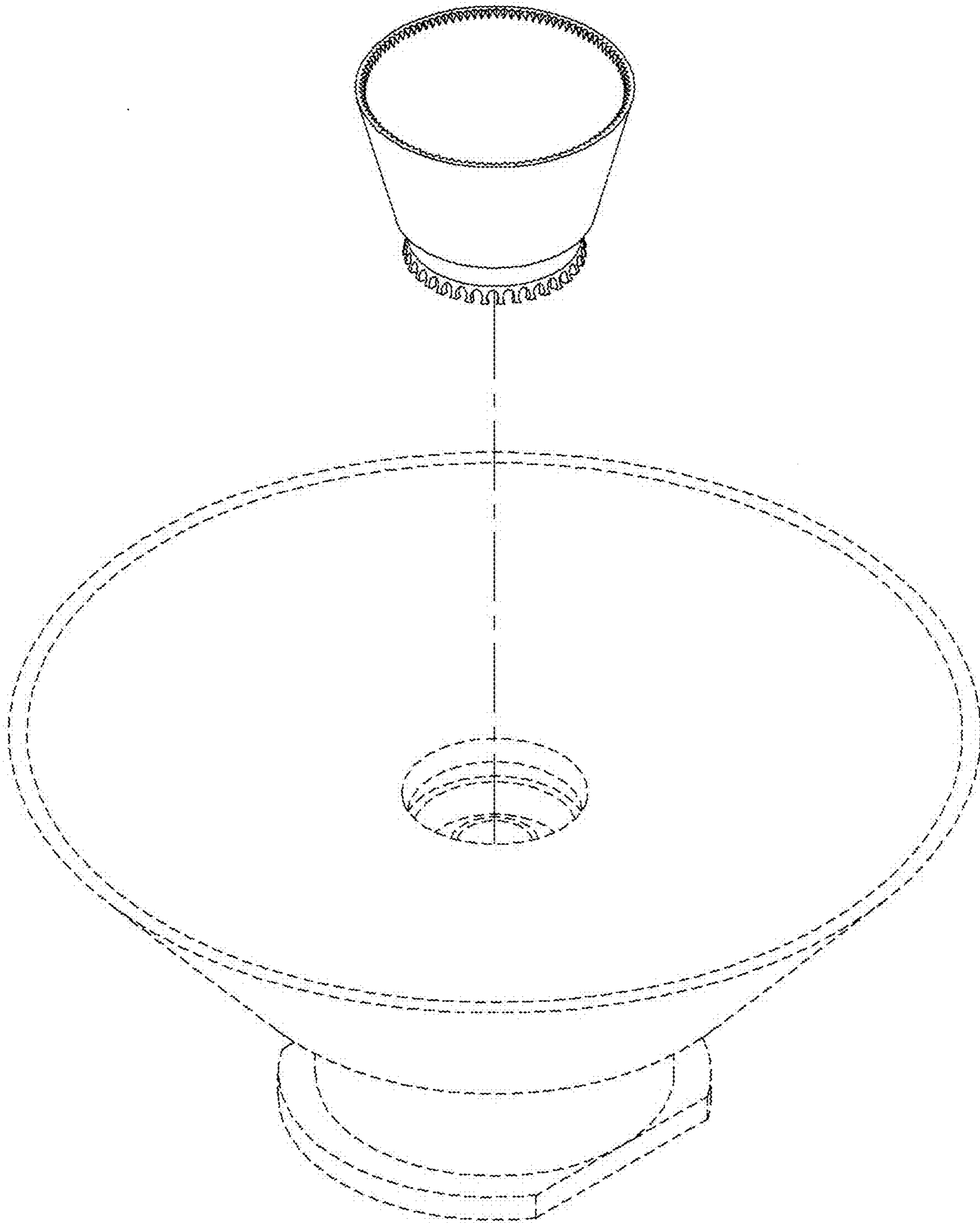


Fig. 7

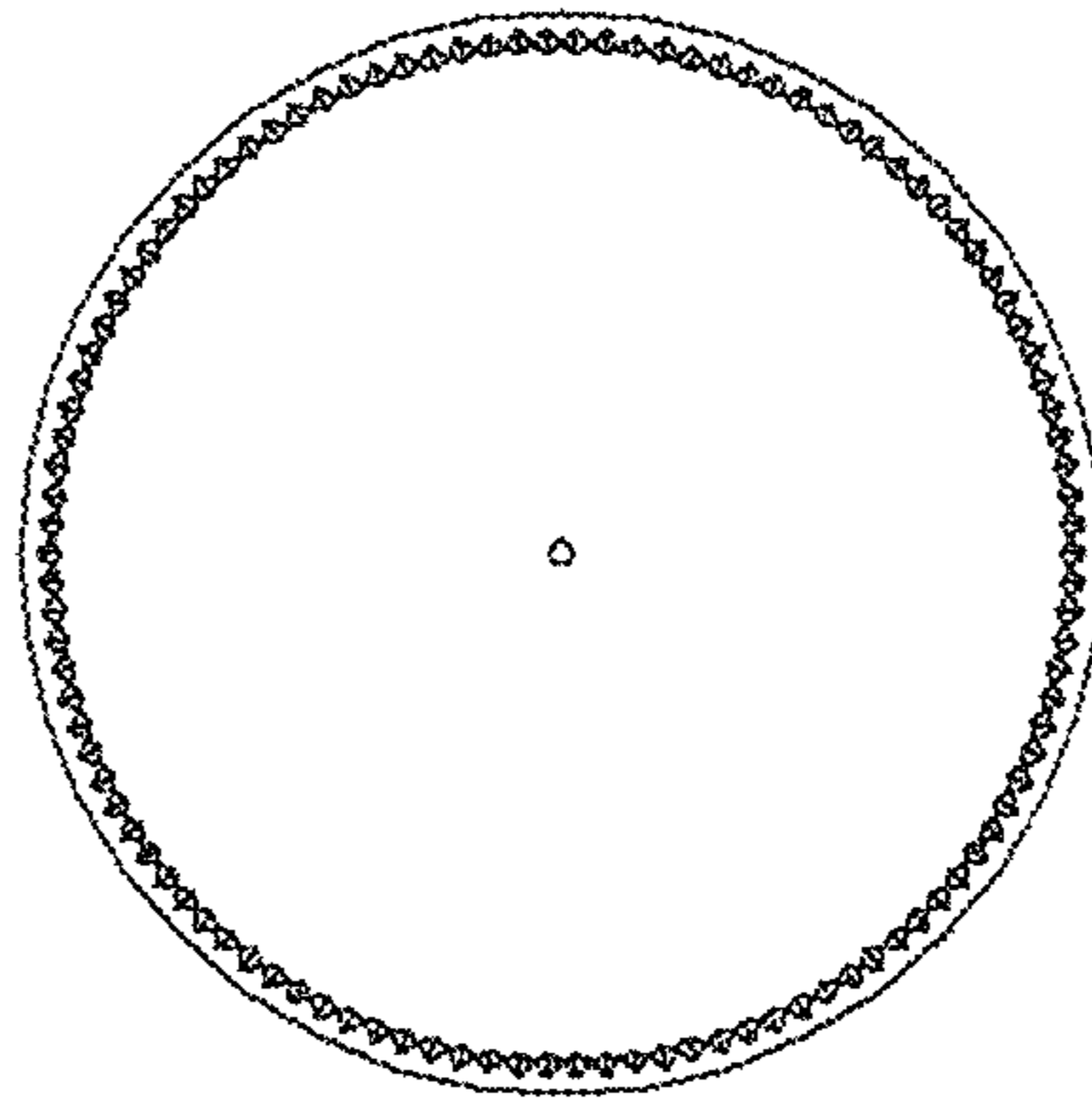


Fig. 8

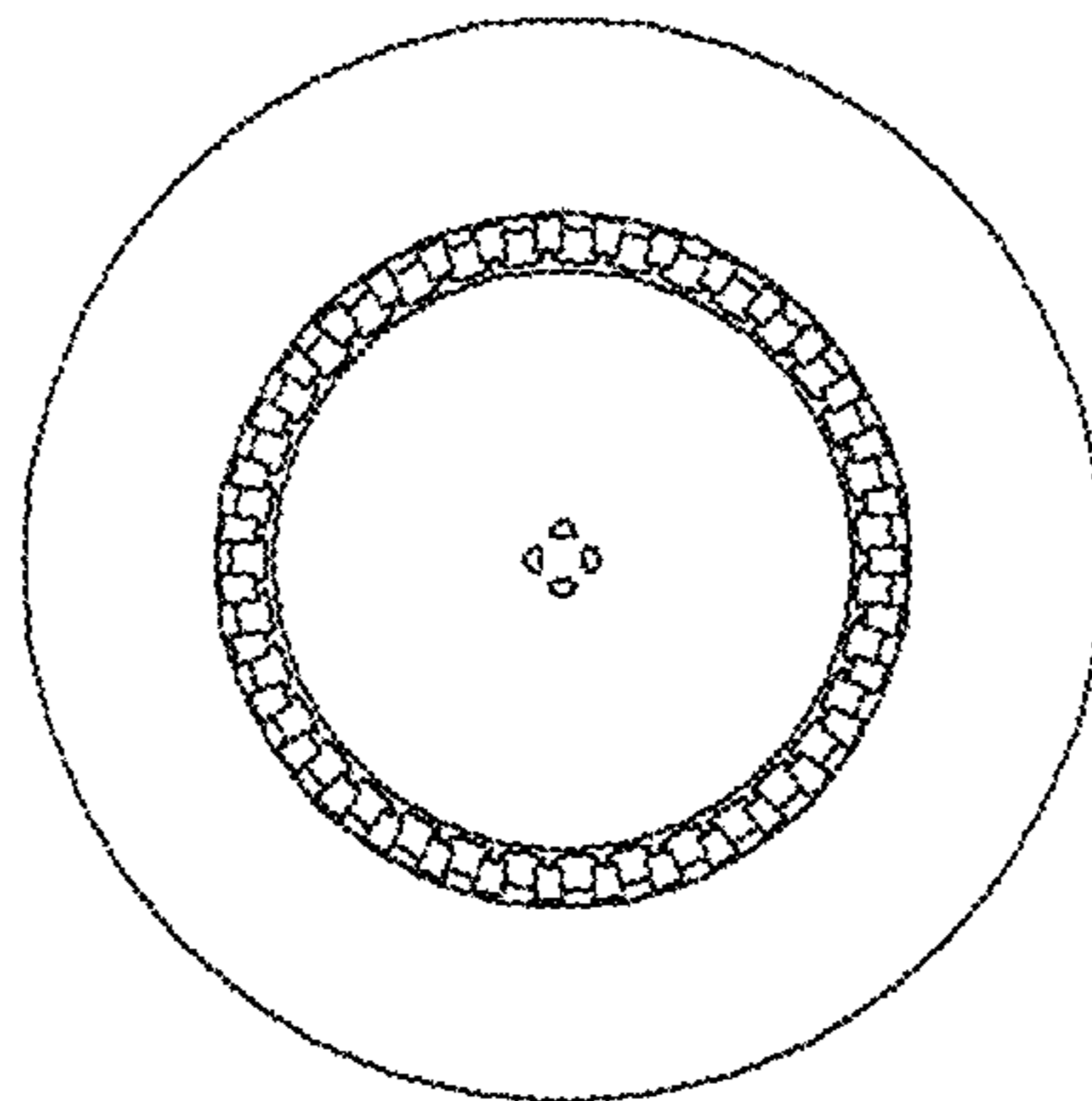


Fig. 9

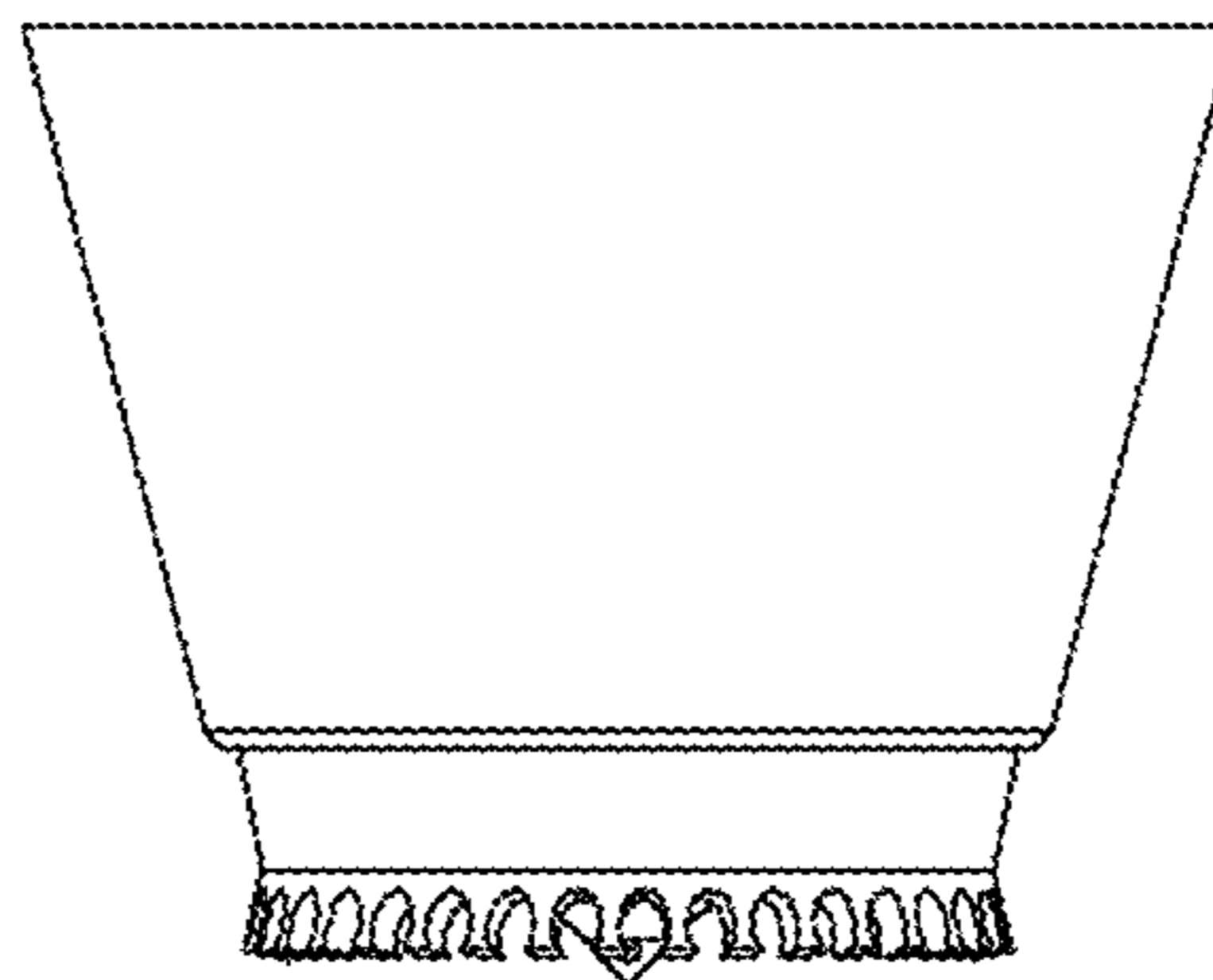


Fig. 10