

US00D960291S

(12) **United States Design Patent** (10) **Patent No.:** **US D960,291 S**
Blum (45) **Date of Patent:** **** Aug. 9, 2022**

(54) **FLOW REGULATOR**

(56) **References Cited**

(71) Applicant: **Neoperl GmbH**, Mullheim (DE)

U.S. PATENT DOCUMENTS

(72) Inventor: **Gerhard Blum**, Gutach (DE)

D416,978 S * 11/1999 Haley D23/212
6,126,093 A * 10/2000 Grether E03C 1/08
239/428.5

(73) Assignee: **Neoperl GmbH**, Müllheim (DE)

D459,431 S * 6/2002 Rosenberg D23/212
6,892,964 B2 * 5/2005 Grether E03C 1/08
239/428.5

(**) Term: **15 Years**

D536,417 S 2/2007 Buttgen

(21) Appl. No.: **29/694,627**

D537,916 S 3/2007 Buttgen

(22) Filed: **Jun. 12, 2019**

D577,416 S 9/2008 Buttgen

D591,394 S * 4/2009 Ugone D23/212

D612,911 S * 3/2010 Grether D23/249

(Continued)

Related U.S. Application Data

OTHER PUBLICATIONS

(62) Division of application No. 29/617,139, filed on Sep. 12, 2017, now Pat. No. Des. 855,756, which is a division of application No. 29/556,061, filed on Feb. 26, 2016, now Pat. No. Des. 800,867, which is a division of application No. 29/493,357, filed on Jun. 9, 2014, now Pat. No. Des. 754,282, which is a division of application No. 29/460,842, filed on Jul. 16, 2013, now Pat. No. Des. 709,593, which is a division of application No. 29/392,775, filed on May 26, 2011, now Pat. No. Des. 690,797.

Kohler K-1031237-BN Aerator Assembly, Vibrant Brushed Nickel, Sep. 27, 2012, amazon.ca, Mar. 7, 2022, URL: <https://www.amazon.ca/Kohler-K-1031237-BN-Aerator-Assembly-Vibrant/dp/B004ZHA5S6/> (Year: 2012).*

(Continued)

Primary Examiner — Keith J Wilson

(74) *Attorney, Agent, or Firm* — Volpe Koenig

(30) **Foreign Application Priority Data**

(57) **CLAIM**

Mar. 9, 2011 (EM) 001264501

The ornamental design for a flow regulator, as shown and described.

(51) **LOC (13) Cl.** **23-01**

(52) **U.S. Cl.**

USPC **D23/212**

(58) **Field of Classification Search**

USPC D23/207, 209, 213, 214, 215, 223, 224, D23/225, 226, 229, 230, 249

CPC A61H 9/0021; A61H 33/00; B05B 1/00; B05B 1/14; B05B 1/185; B05B 1/08; B05B 1/02; B05B 1/26; B05B 12/002; B05B 1/18; B05B 9/01

See application file for complete search history.

DESCRIPTION

FIG. 1 is a top, front, right perspective view of a flow regulator in accordance with my design;

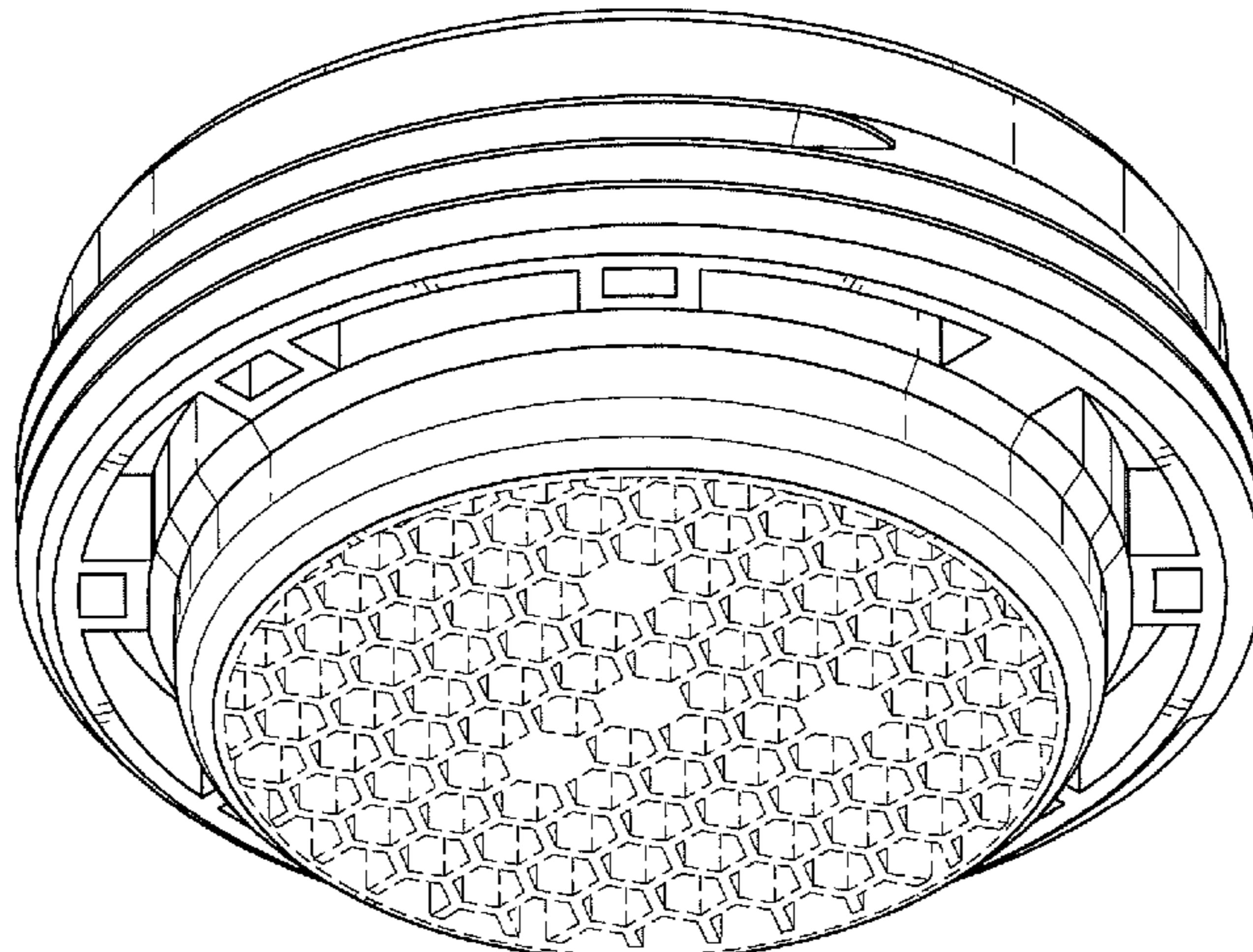
FIG. 2 is a top plan view thereof;

FIG. 3 is a bottom, front perspective view thereof;

FIG. 4 is a bottom view thereof; and,

FIG. 5 is an elevational view thereof.

(Continued)



US D960,291 S

Page 2

The broken lines shown represent unclaimed portions of the flow regulator and form no part of the claimed design.

1 Claim, 5 Drawing Sheets

(56)

References Cited

U.S. PATENT DOCUMENTS

7,677,473 B2 * 3/2010 Kao E03C 1/084
239/428.5
D634,400 S * 3/2011 Tremblay D23/212
D635,642 S * 4/2011 Hung D23/212
D641,071 S * 7/2011 Grether D23/249
D641,839 S * 7/2011 Grether D23/249
D732,139 S * 6/2015 Robledo D23/212
D754,282 S 4/2016 Blum
D797,889 S * 9/2017 Peters D23/212
D800,248 S * 10/2017 Hung D23/212
D809,094 S 1/2018 Naslund et al.
D839,385 S 1/2019 Vogeli
D842,431 S 3/2019 Cacka et al.
D915,551 S * 4/2021 Lo D23/212
D921,152 S * 6/2021 Blum D23/213

11,097,290 B2 * 8/2021 Wu B05B 3/04
D933,162 S * 10/2021 Stein E03C 1/08
D23/213
D942,585 S * 2/2022 Yu D23/212
D944,920 S * 3/2022 Lai D23/213
D944,921 S * 3/2022 Lai D23/213
2007/0196177 A1 * 8/2007 Tasi E03C 1/084
405/79
2011/0006132 A1 * 1/2011 Grether E03C 1/084
239/428.5
2011/0266369 A1 * 11/2011 Grether E03C 1/084
239/428.5
2016/0273199 A1 * 9/2016 Blum E03C 1/08
2022/0040713 A1 * 2/2022 Mock B05B 15/65

OTHER PUBLICATIONS

Kohler 1054432 Kit Aerator, 1.5 Gpm, Jan. 5, 2015, amazon.ca, Mar. 7, 2022, URL: [https://www.amazon.ca/Kohler-1054432-Kit-Aerator-1-5/dp/B007AWWYU0/\(Year: 2022\).](https://www.amazon.ca/Kohler-1054432-Kit-Aerator-1-5/dp/B007AWWYU0/(Year: 2022).)*
Moen 137401 Eco-Performance Aerator Flow Restrictor, 1.5 gpm, Feb. 2, 2011, amazon.ca, Mar. 7, 2022, URL: [https://www.amazon.ca/Moen-137401-Replacement-Part/dp/B002FB7M7Q/\(Year: 2011\).](https://www.amazon.ca/Moen-137401-Replacement-Part/dp/B002FB7M7Q/(Year: 2011).)*

* cited by examiner

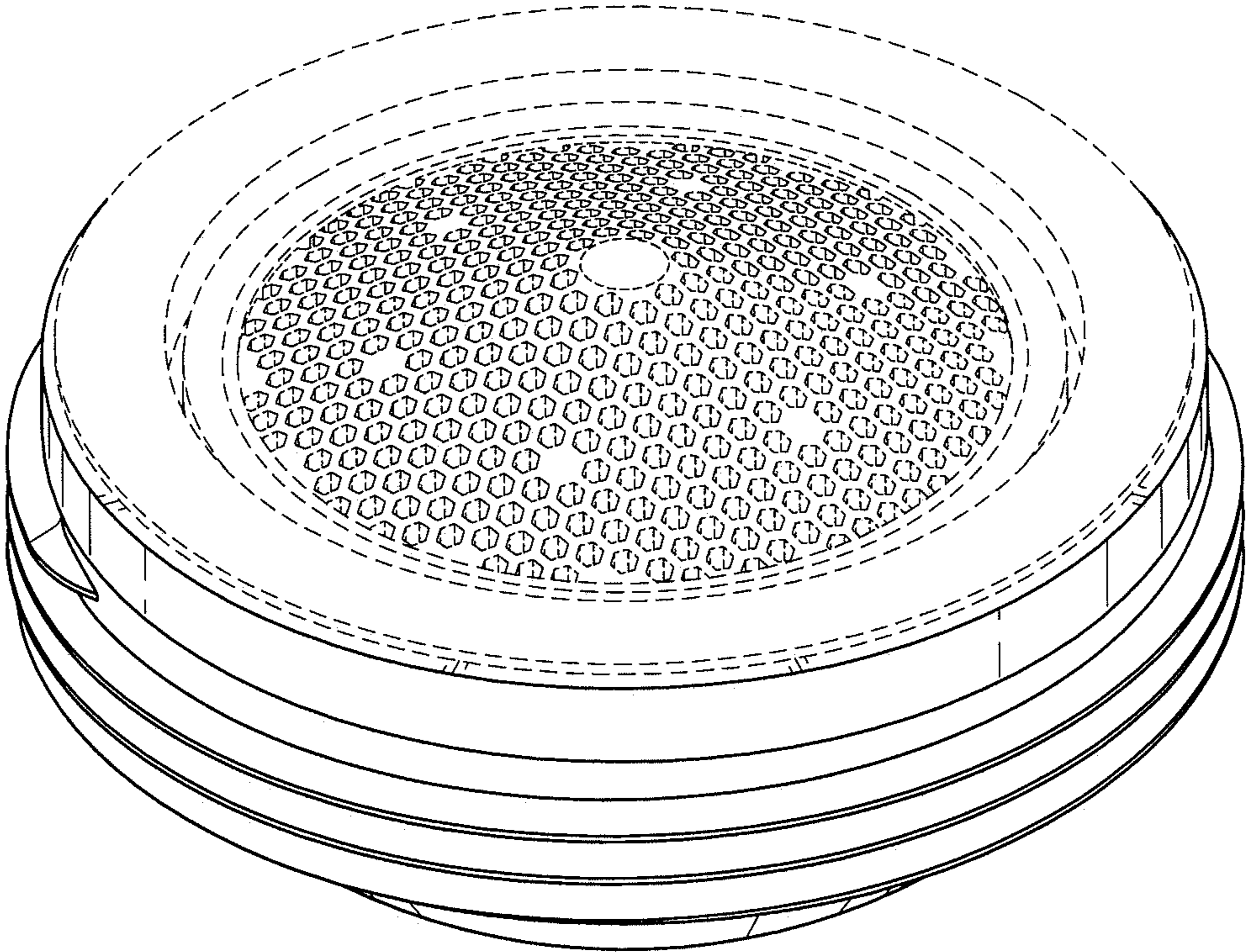


Fig. 1

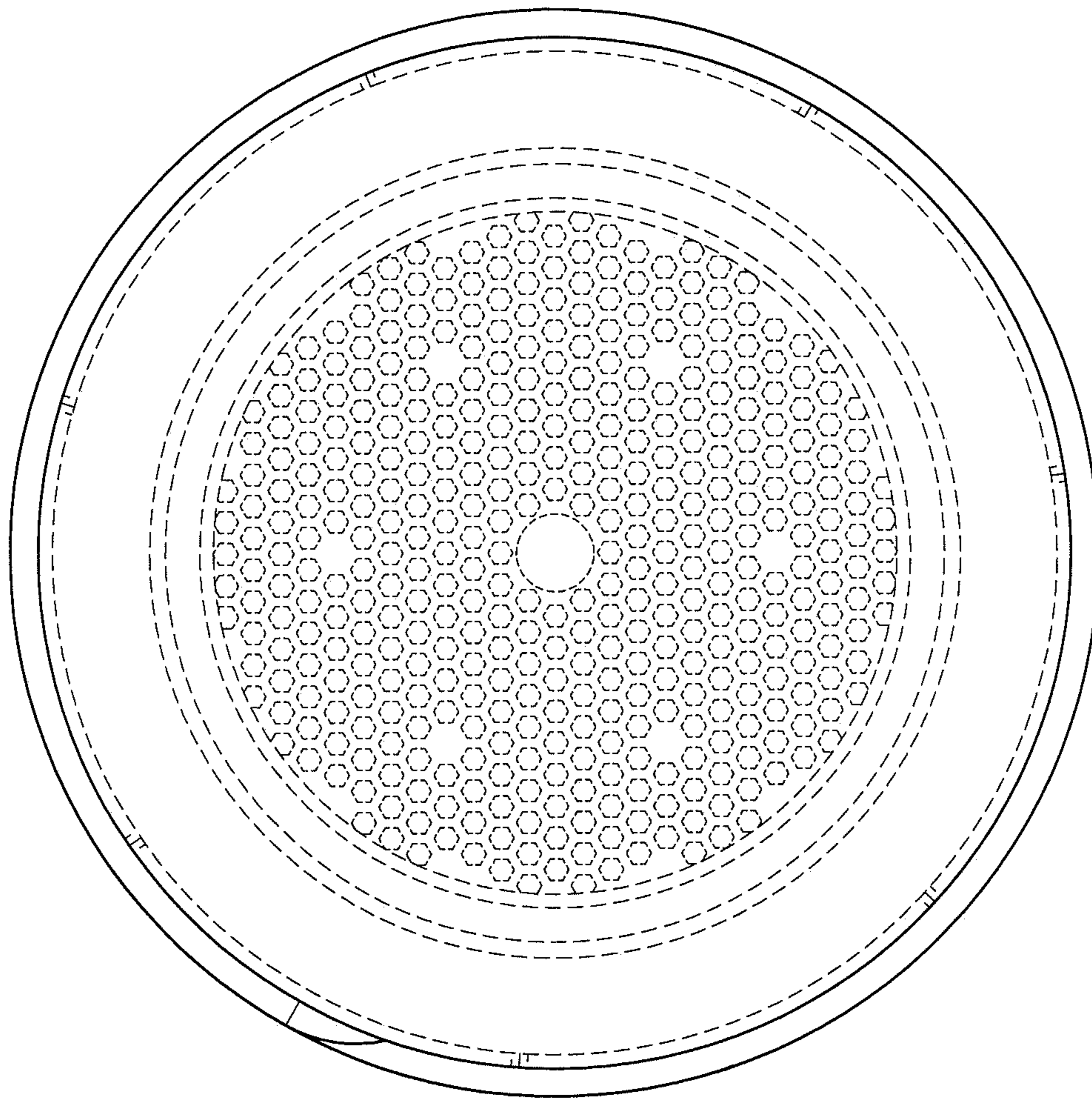


Fig. 2

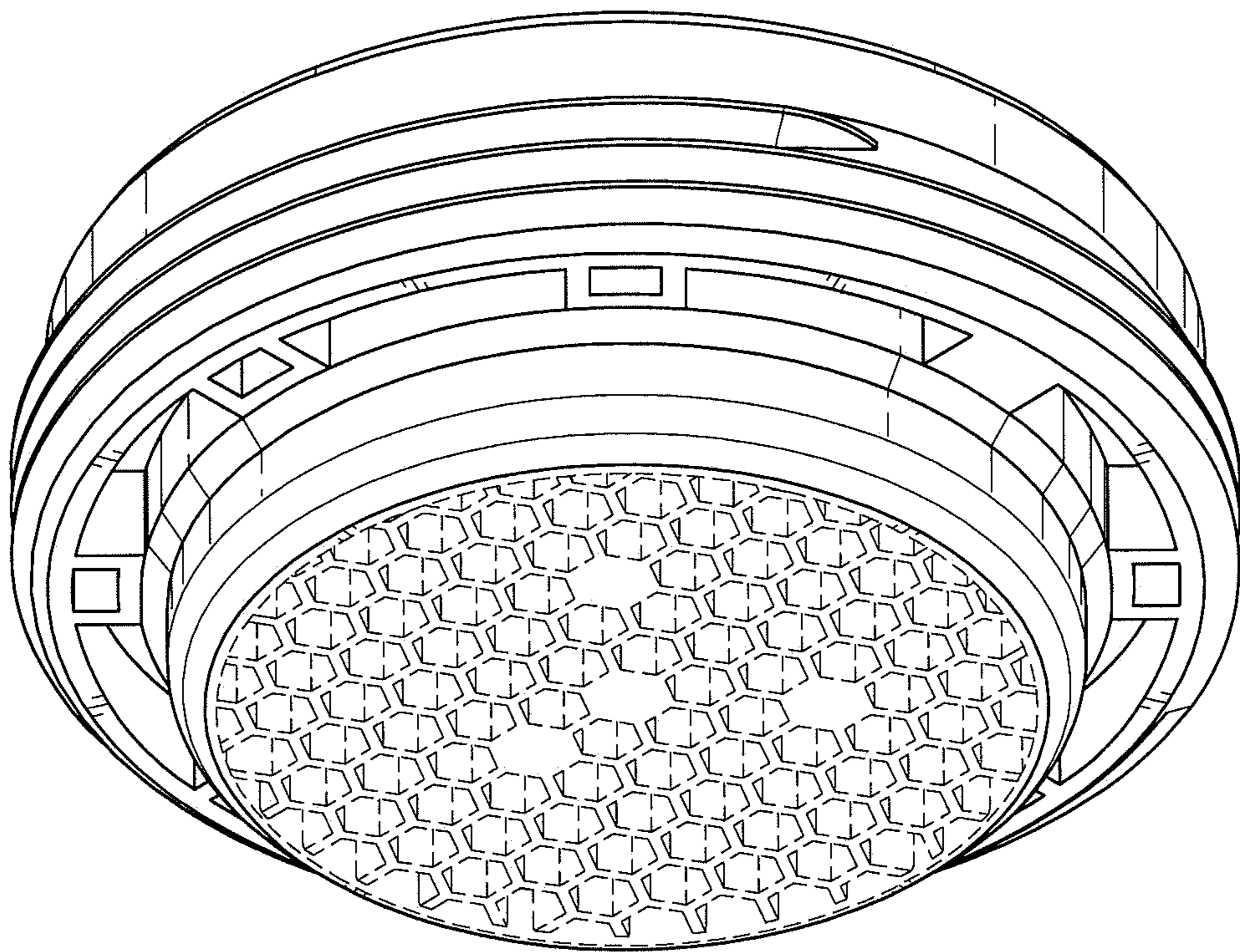


Fig. 3

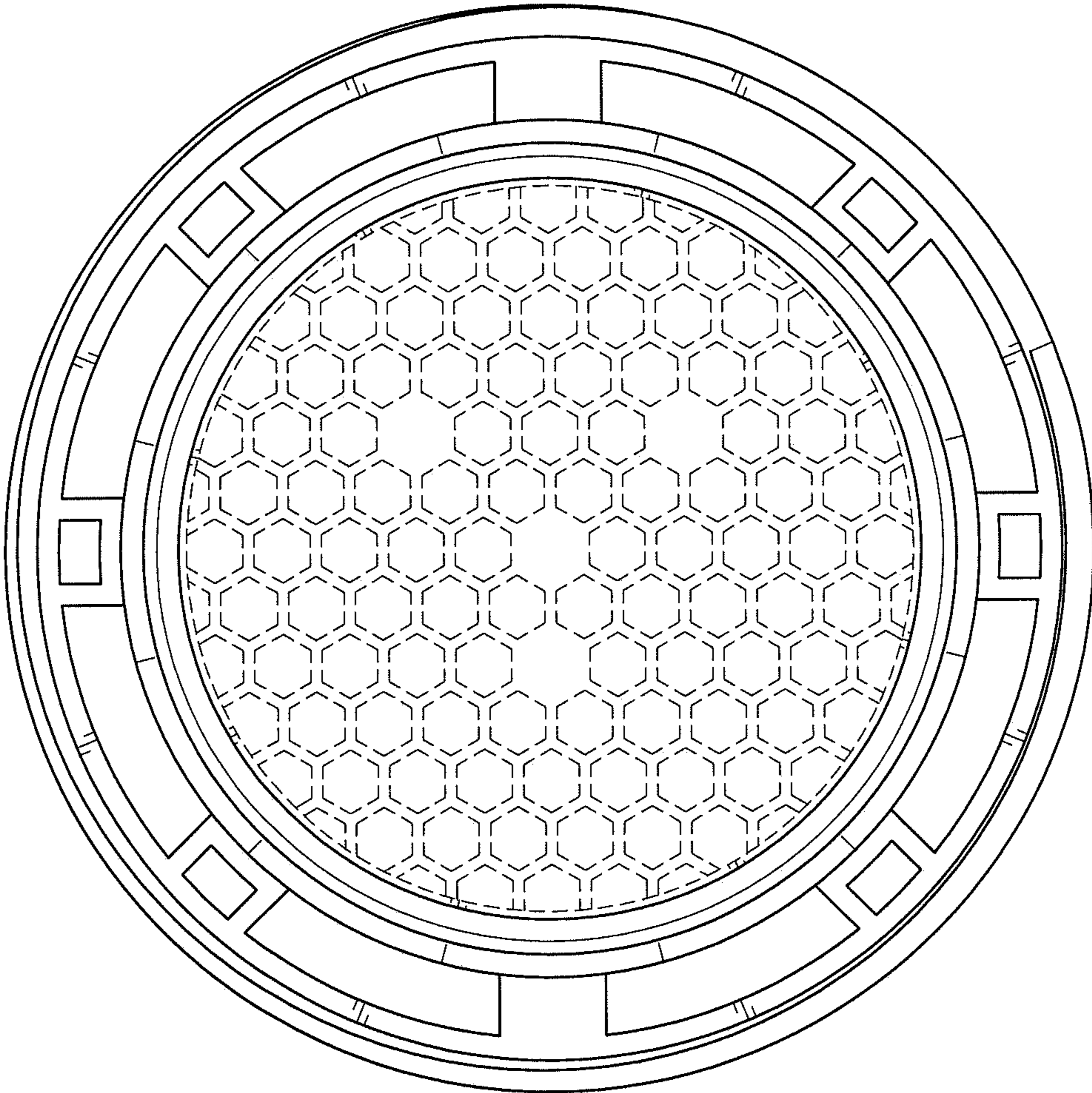


Fig. 4

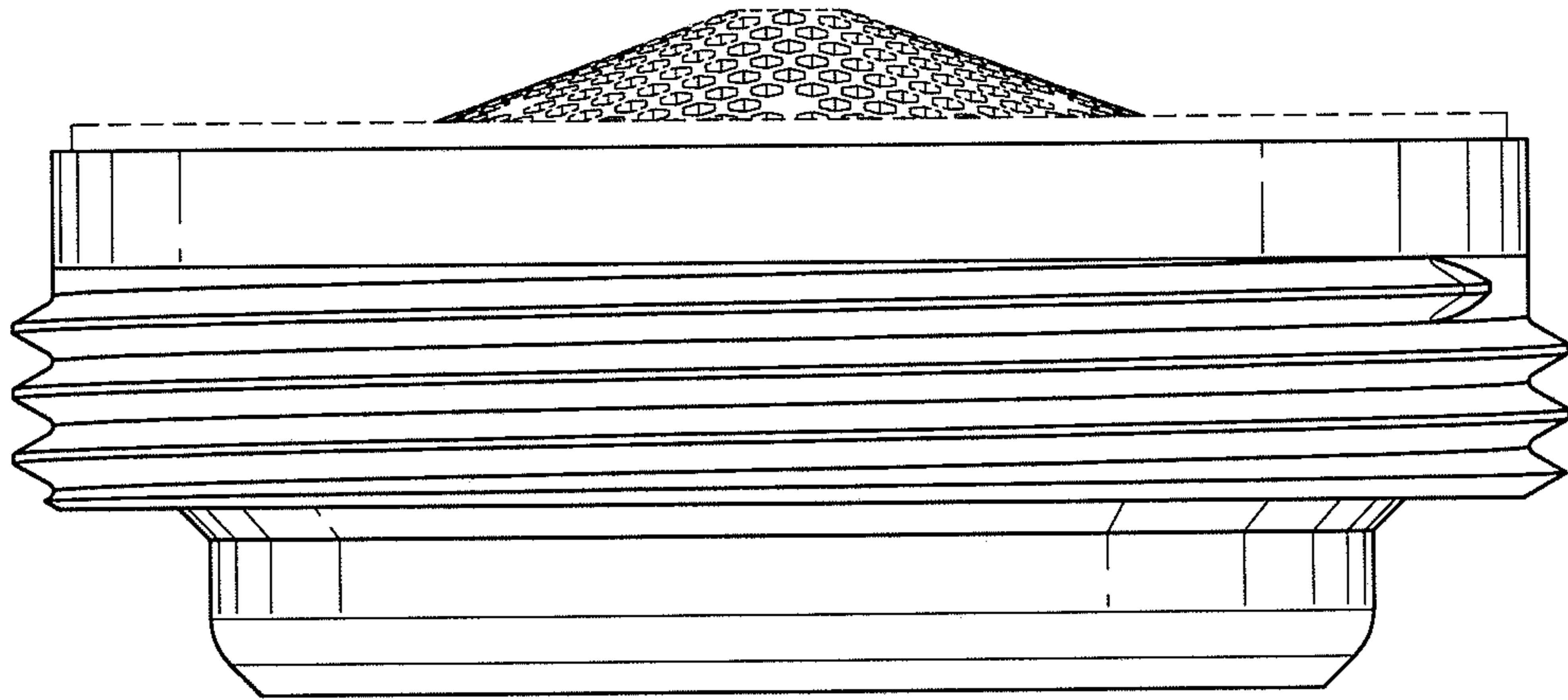


Fig. 5