



(12) **United States Design Patent**
Higaki et al.

(10) **Patent No.:** **US D960,290 S**
(45) **Date of Patent:** **** Aug. 9, 2022**

(54) **FILTER**

(71) Applicant: **SMC CORPORATION**, Tokyo (JP)
(72) Inventors: **Tadamitsu Higaki**, Moriya (JP);
Tomokazu Ueno, Tsukubamirai (JP)
(73) Assignee: **SMC CORPORATION**, Tokyo (JP)
(**) Term: **15 Years**

(21) Appl. No.: **29/739,453**

(22) Filed: **Jun. 25, 2020**

(30) **Foreign Application Priority Data**

Dec. 26, 2019 (JP) 2019-028881

(51) **LOC (13) Cl.** **23-01**

(52) **U.S. Cl.**
USPC **D23/209**

(58) **Field of Classification Search**
USPC D23/207, 209, 210, 235, 355, 363, 365;
D24/162
CPC B01D 27/00; B01D 27/08; B01D 29/00;
B01D 2201/305; B01D 2221/309; C02F
2307/10

See application file for complete search history.

(56) **References Cited**

U.S. PATENT DOCUMENTS

D234,356 S *	2/1975	Holben	D23/209
D234,357 S *	2/1975	Humphrey	D23/209
D234,843 S *	4/1975	Taylor	D23/209
D236,263 S *	8/1975	Dussardier	D23/209
D236,264 S *	8/1975	Taylor	D23/209
D236,265 S *	8/1975	Dussardier	D23/209
D295,674 S *	5/1988	Ogasawara	D23/365
D301,914 S *	6/1989	Ogasawara	D23/209

(Continued)

FOREIGN PATENT DOCUMENTS

JP 464523 12/1977
JP 478995 6/1978

(Continued)

OTHER PUBLICATIONS

Groz 60353 Filter Regulator, Jan. 15, 2016, Amazon, site visited Feb. 24, 2022: <https://www.amazon.com/dp/B01AOF6XH4/> (Year: 2016).*

(Continued)

Primary Examiner — Jack Reickel

Assistant Examiner — Bobby W Jones, II

(74) *Attorney, Agent, or Firm* — Birch, Stewart, Kolasch & Birch, LLP

(57) **CLAIM**

The ornamental design for a filter, as shown and described.

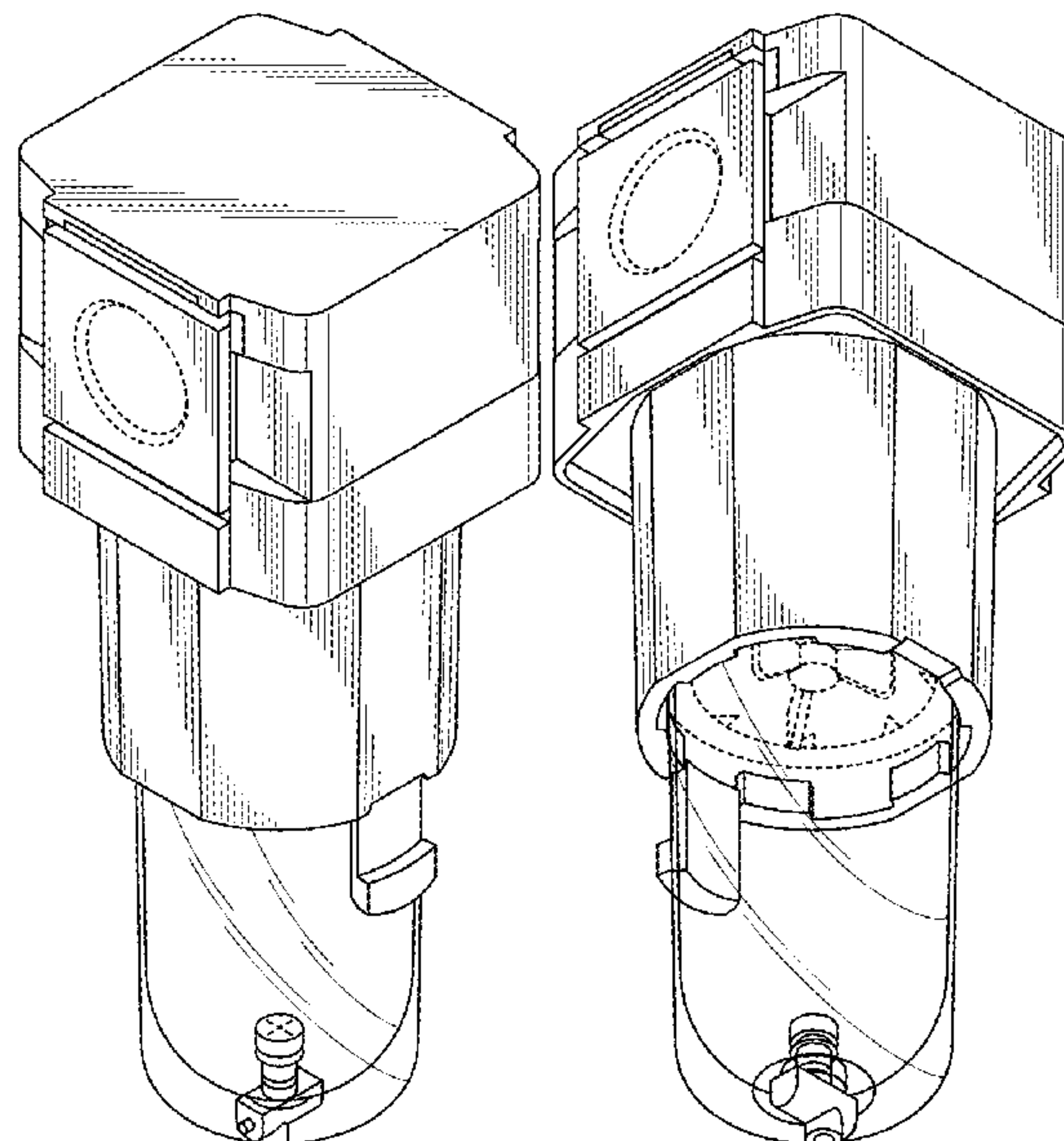
DESCRIPTION

FIG. 1 is a front, top and left side perspective view of a filter showing our new design;
FIG. 2 is a rear, bottom and right side perspective view thereof;
FIG. 3 is a front view thereof;
FIG. 4 is a rear view thereof;
FIG. 5 is a top plan view thereof;
FIG. 6 is a bottom plan view thereof;
FIG. 7 is a left side view thereof;
FIG. 8 is a right side view thereof; and,
FIG. 9 is a cross sectional view of the portion indicated within the broken line frame in FIG. 3 and taken along the line 9-9 in FIG. 5.

The broken lines depict portions of the filter that form no part of the claimed design.

Further, the broken line frame is included in FIG. 3 for the use and purpose of indicating which part of the filter is shown as a partial cross sectional view in FIG. 9.

1 Claim, 9 Drawing Sheets



(56)

References Cited

U.S. PATENT DOCUMENTS

D331,961 S * 12/1992 Ridolfi D23/365
D355,954 S * 2/1995 Powell D23/235
D659,814 S * 5/2012 Yamase D23/365
D659,815 S * 5/2012 Yamase D23/365
D659,816 S * 5/2012 Ito D23/365
D662,196 S * 6/2012 Ito D23/365
D662,197 S * 6/2012 Ito D23/365
9,314,726 B2 * 4/2016 Yamase B01D 46/0004
10,203,048 B2 * 2/2019 Matsushita F16K 31/34
D844,107 S * 3/2019 Ito D23/233
D844,108 S * 3/2019 Ito D23/235
D850,579 S * 6/2019 Ito D23/209
D851,213 S * 6/2019 Matsushita D23/233
D853,526 S * 7/2019 Ito D23/235
D854,126 S * 7/2019 Ito D23/235
D888,886 S * 6/2020 Tanaka D23/209
D890,297 S * 7/2020 Tanaka D23/209
D892,975 S * 8/2020 Tanaka D23/209
D893,674 S * 8/2020 Tanaka D23/209

D894,330 S * 8/2020 Tanaka D23/209
D894,331 S * 8/2020 Tanaka D23/209
D941,421 S * 1/2022 Kruse D23/207
2003/0006097 A1 * 1/2003 Tomita F16N 7/30
184/55.1
2014/0069521 A1 * 3/2014 Sakai F17C 13/002
55/495
2014/0083299 A1 * 3/2014 Yamase B01D 46/4254
55/508

FOREIGN PATENT DOCUMENTS

JP 1431620 S 1/2012
JP 1432258 S 1/2012

OTHER PUBLICATIONS

PneumaticPlus SAF300-N03B, Oct. 13, 2013, Amazon, site visited
Feb. 24, 2022: <https://www.amazon.com/dp/B016LICM7S/> (Year:
2013).*

* cited by examiner

FIG. 1

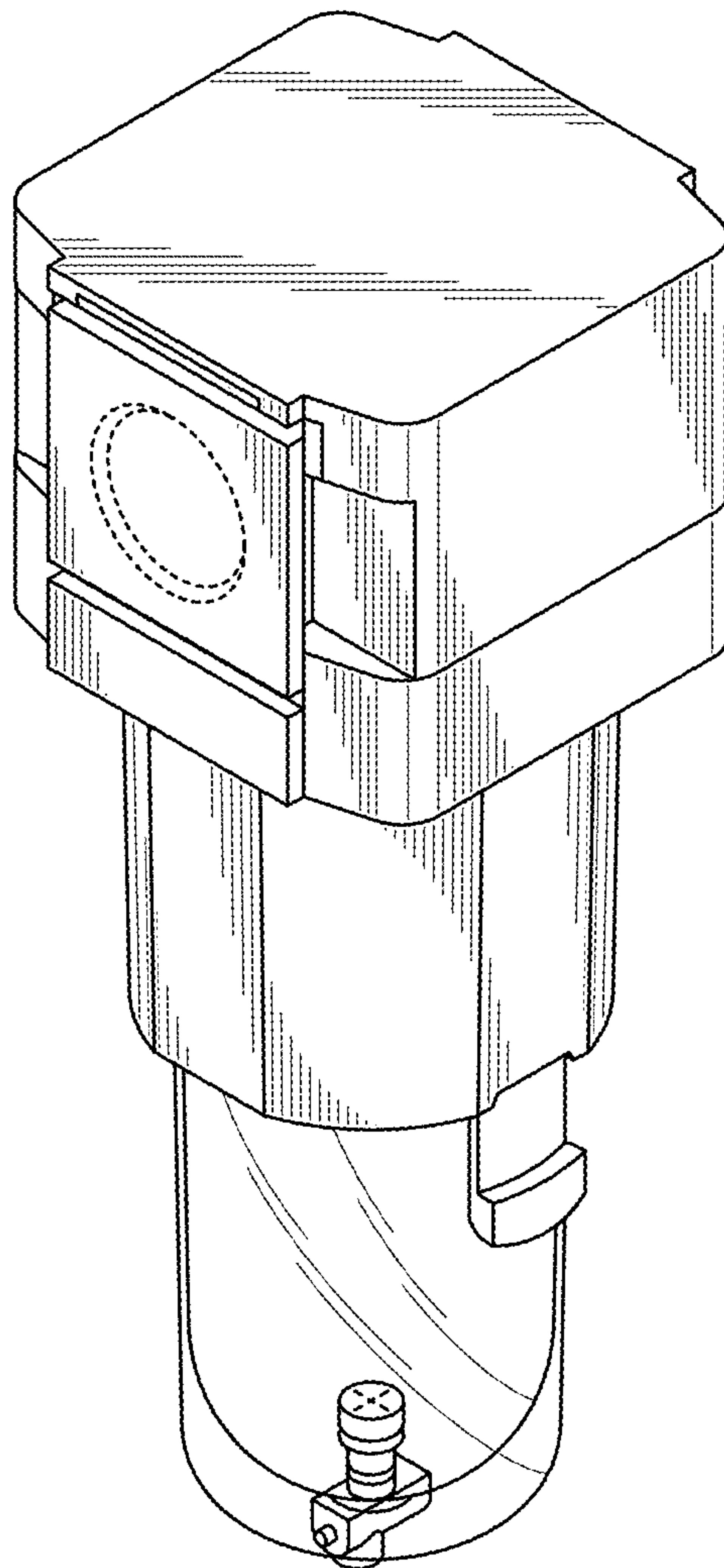


FIG. 2

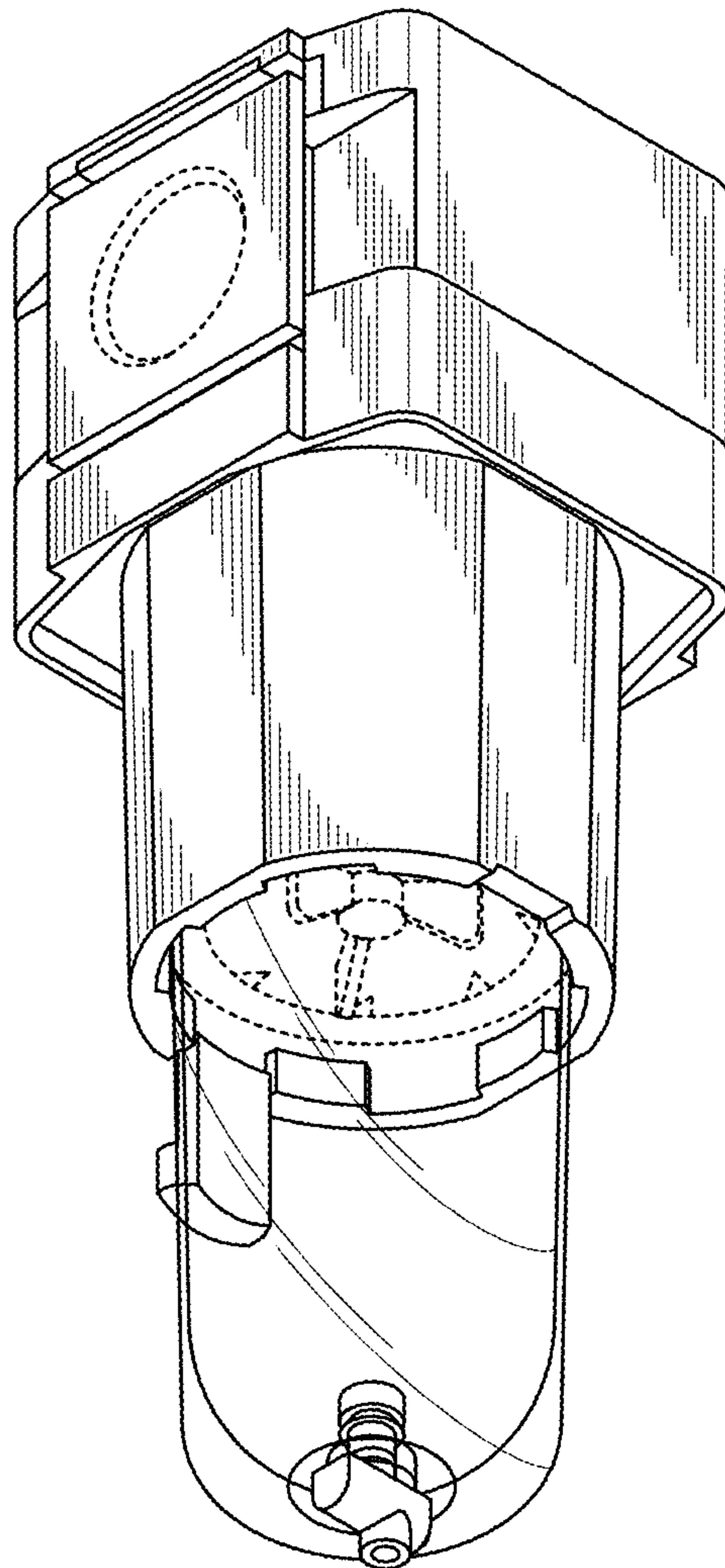


FIG. 3

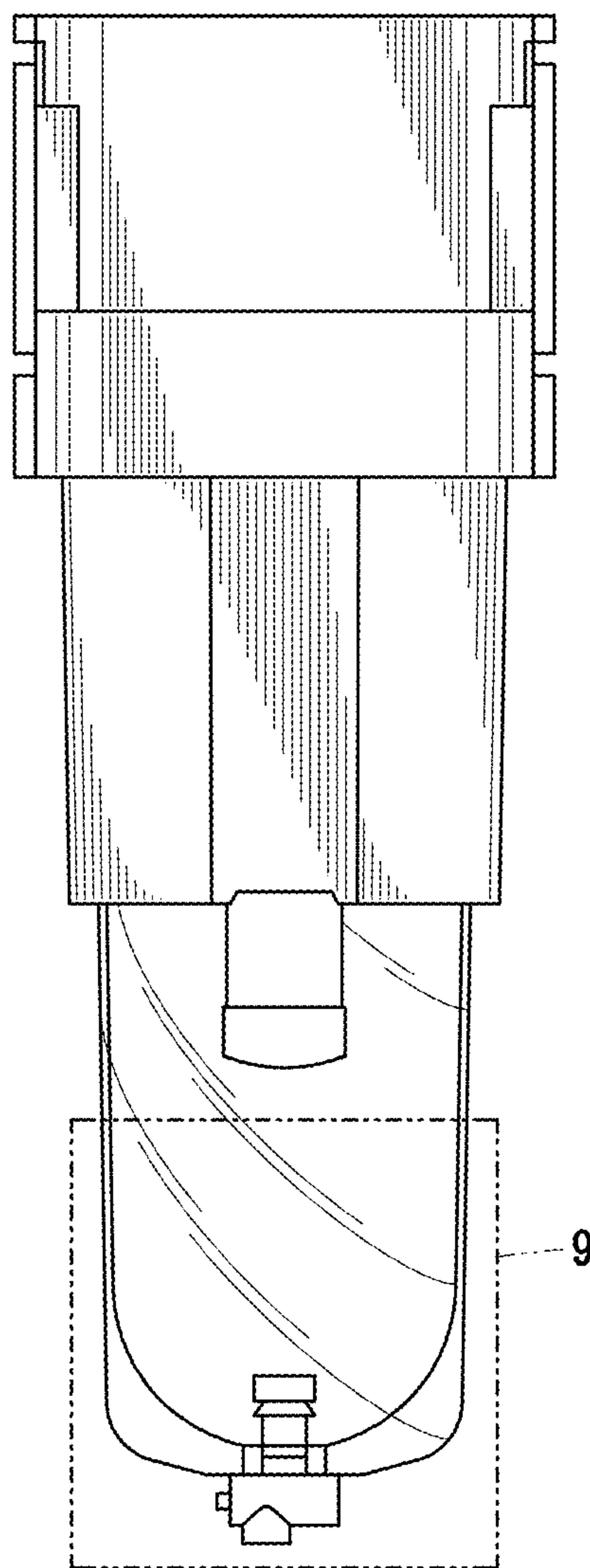


FIG. 4

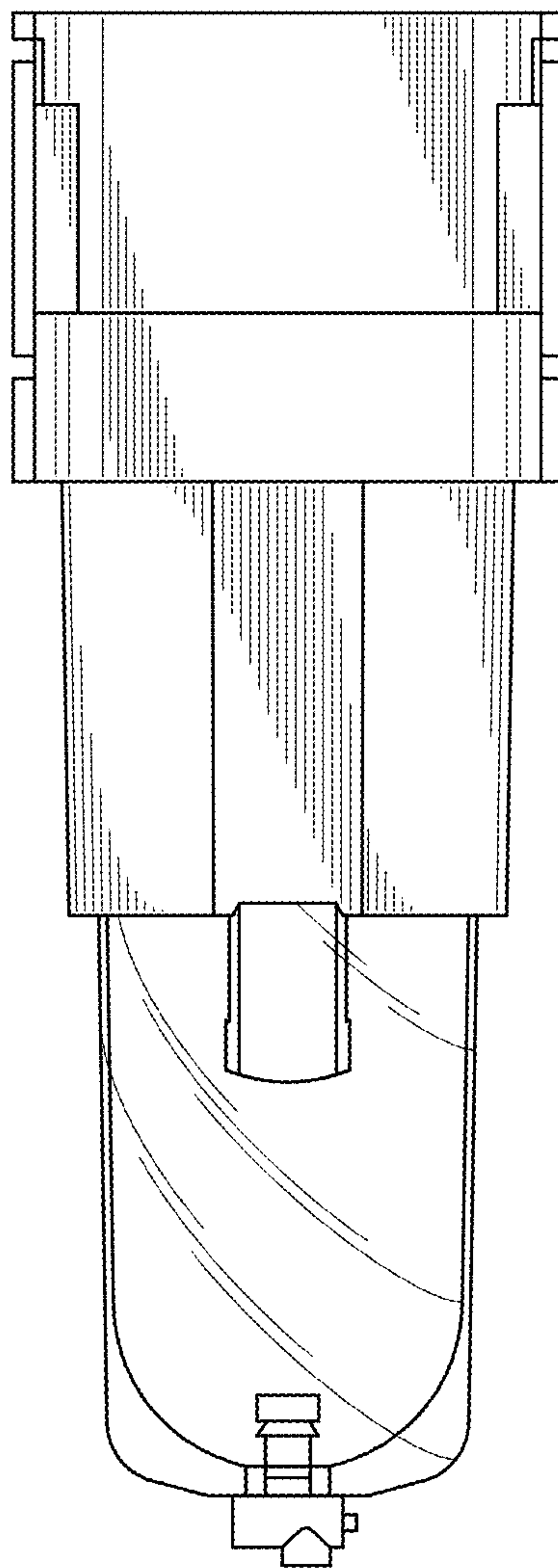


FIG. 5

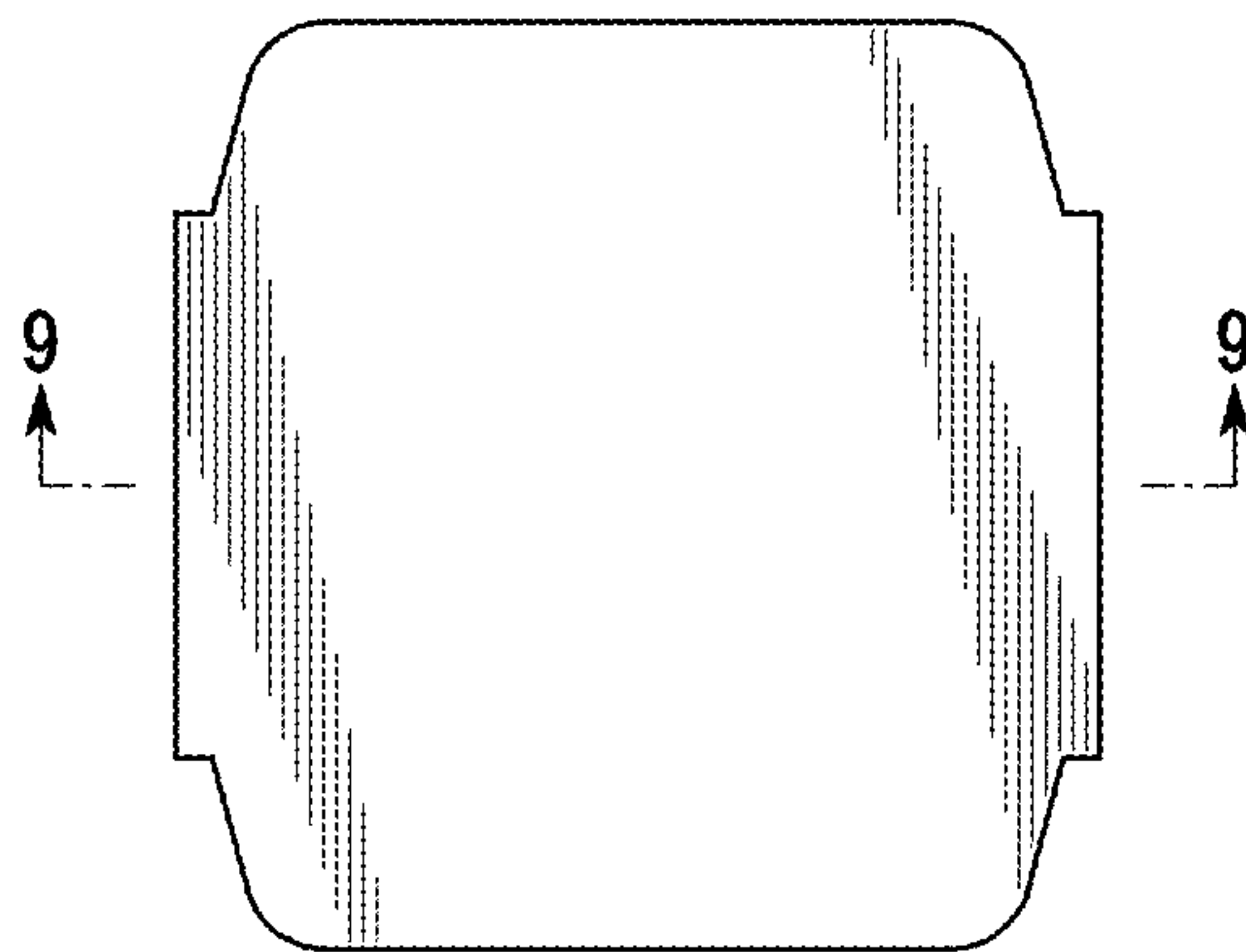


FIG. 6

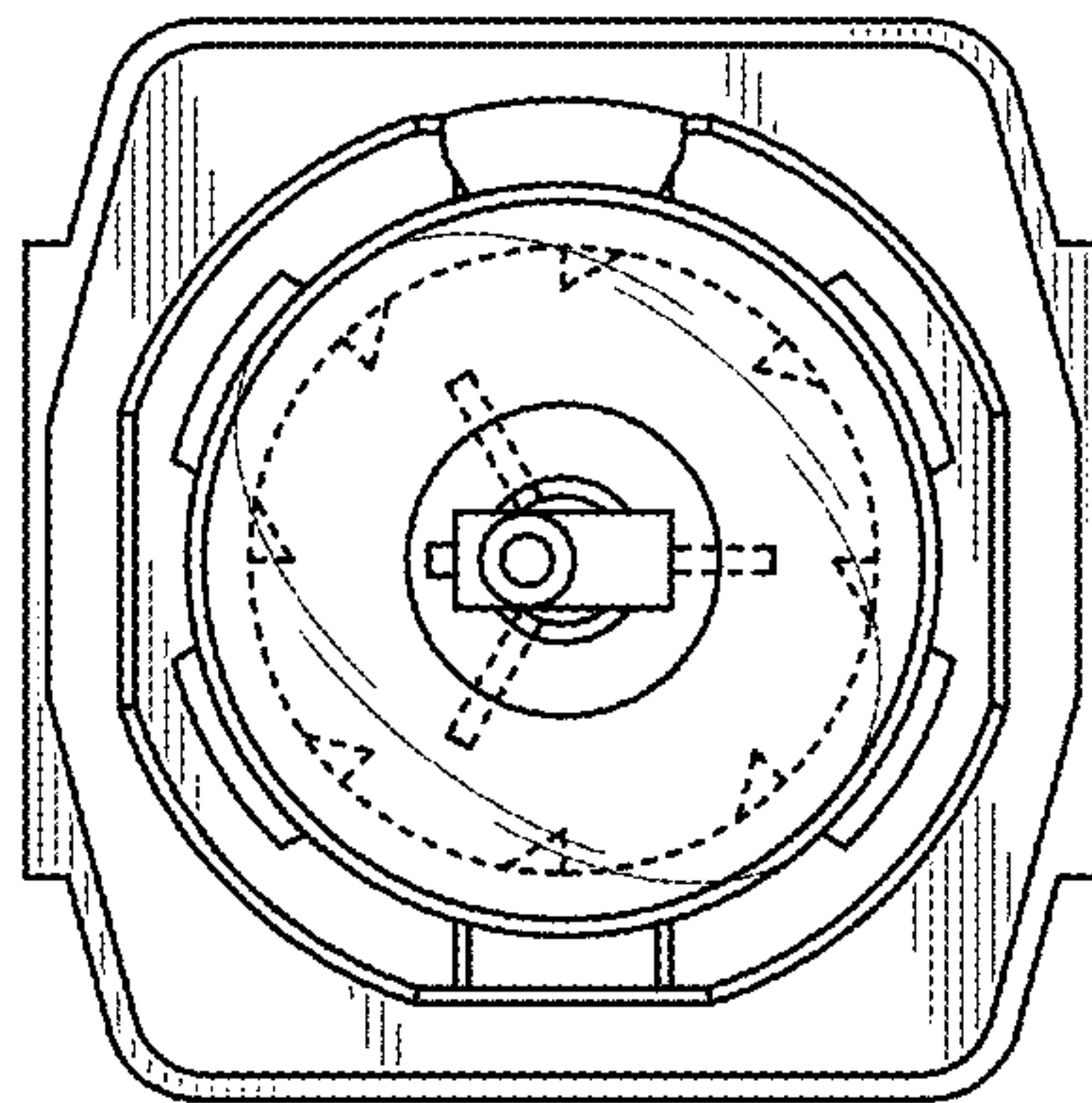


FIG. 7

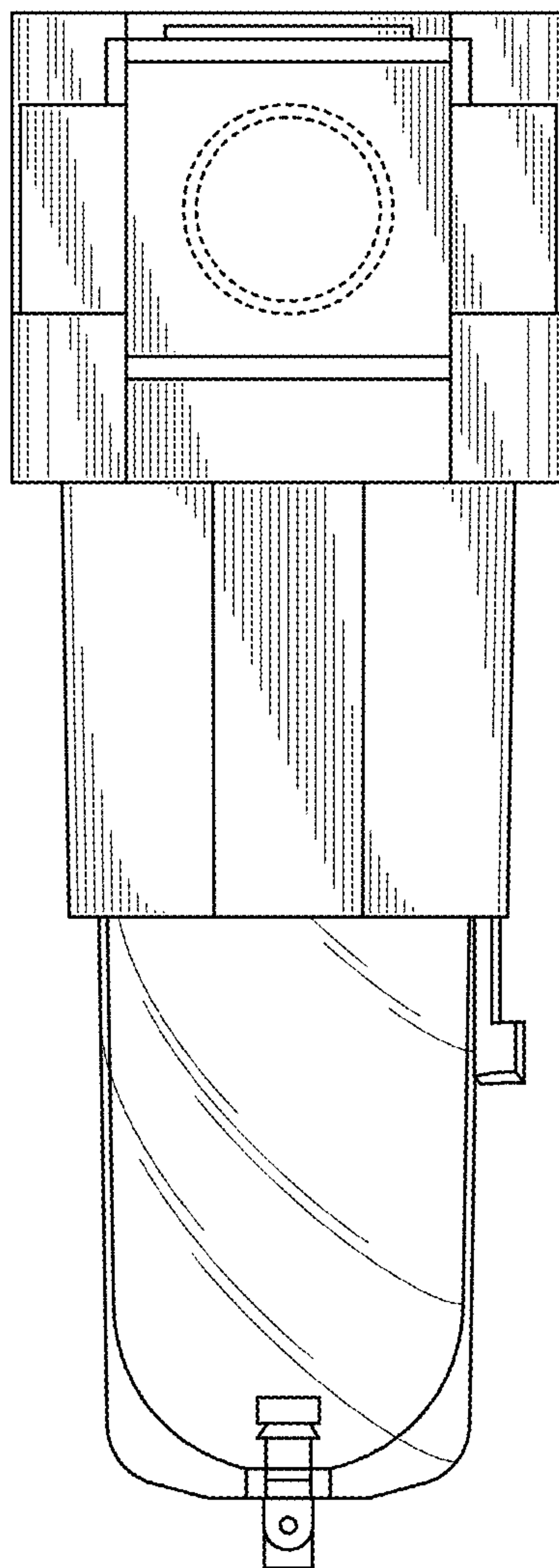


FIG. 8

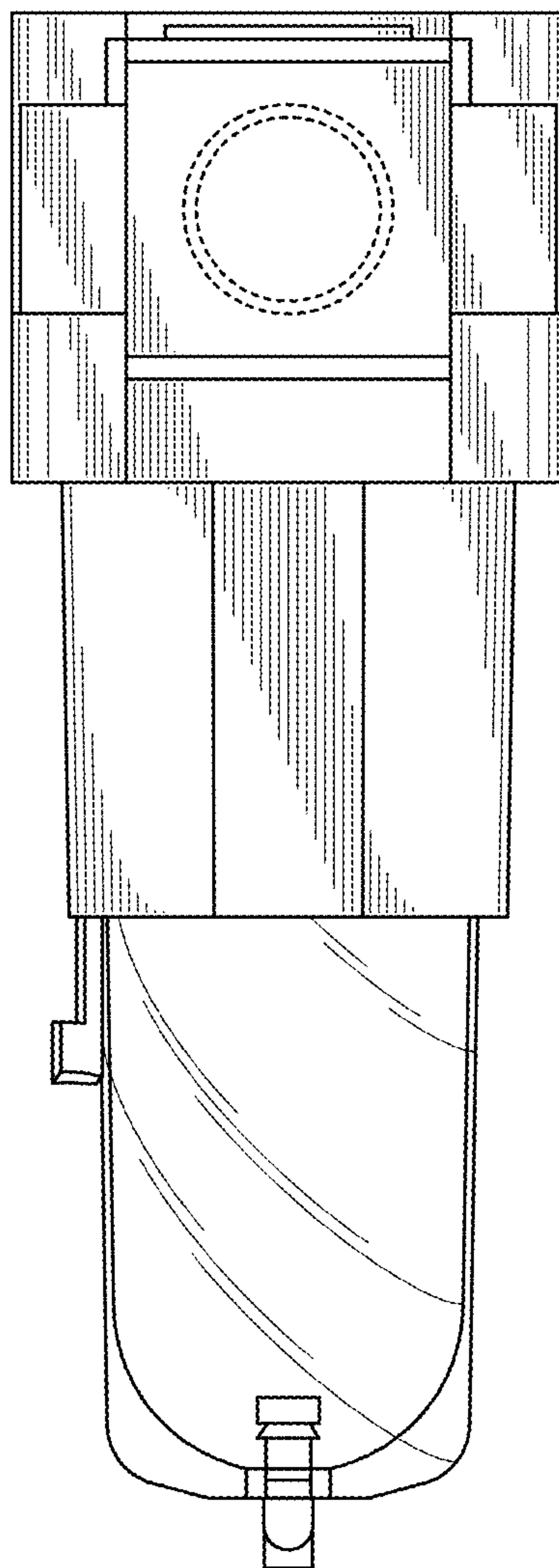


FIG. 9

