



US00D960288S

(12) **United States Design Patent**
Moon et al.

(10) **Patent No.:** **US D960,288 S**

(45) **Date of Patent:** **** Aug. 9, 2022**

(54) **WATER PURIFICATION DEVICE**
(71) Applicant: **CLOVER CO., LTD.**, Anyang-si (KR)
(72) Inventors: **Young Mu Moon**, Gunpo-si (KR); **Il Mook Moon**, Seoul (KR); **Sung Jin Kim**, Anyang-si (KR)
(73) Assignee: **CLOVER CO., LTD.**, Anyang-si (KR)
(**) Term: **15 Years**
(21) Appl. No.: **29/769,933**
(22) Filed: **Feb. 8, 2021**

(30) **Foreign Application Priority Data**

Aug. 12, 2020 (KR) 30-2020-0037609

(51) **LOC (13) Cl.** **23-01**

(52) **U.S. Cl.**
USPC **D23/207; D7/306**

(58) **Field of Classification Search**
USPC D23/200, 202, 207, 208, 209, 210, 365;
D24/162; D7/306

CPC C02F 1/003; C02F 9/005; C02F 2201/006;
C02F 2201/007; C02F 2307/10

See application file for complete search history.

(56) **References Cited**

U.S. PATENT DOCUMENTS

D477,857 S * 7/2003 Kuna D23/209
D683,421 S * 5/2013 Choi D23/207
D692,523 S * 10/2013 Saito D23/207
D697,356 S * 1/2014 Choi D7/307
D718,414 S * 11/2014 Lo D7/311
D723,315 S * 3/2015 Wilder D23/209
D764,014 S * 8/2016 Lin D23/207
D777,498 S * 1/2017 Bandixen D7/311
D856,058 S * 8/2019 Szabo D7/306
D881,624 S * 4/2020 Rubin D7/307

D888,485 S * 6/2020 Kim D23/209
10,683,198 B2 * 6/2020 Kelly B67D 1/0079
10,889,483 B2 * 1/2021 Jung B67D 1/0014
D941,955 S * 1/2022 Ma D23/207
D943,332 S * 2/2022 Dou D7/311
2007/0017856 A1 * 1/2007 Lin B01D 63/06
210/85
2015/0259218 A1 * 9/2015 Ergican B67D 1/1202
210/85
2017/0280921 A1 * 10/2017 Jung A47J 31/407
2018/0056217 A1 * 3/2018 Park B01F 23/234211
2019/0060807 A1 * 2/2019 Jeon B01D 35/04
2020/0031651 A1 * 1/2020 Schneidewend A47J 31/407
2021/0032085 A1 * 2/2021 Nam B67D 1/0014

OTHER PUBLICATIONS

Clover DN34 Water Cooler Aquverse, Apr. 22, 2021, YouTube, site visited Jun. 13, 2022: <https://www.youtube.com/watch?v=cb00pO3IOMk> (Year: 2021).*

(Continued)

Primary Examiner — Jack Reickel

Assistant Examiner — Bobby W Jones, II

(74) *Attorney, Agent, or Firm* — Revolution IP, PLLC

(57) **CLAIM**

The ornamental design for a water purification device, as shown and described.

DESCRIPTION

FIG. 1 is a perspective view of a water purification device showing the claimed design;

FIG. 2 is a front view thereof;

FIG. 3 is a rear view thereof;

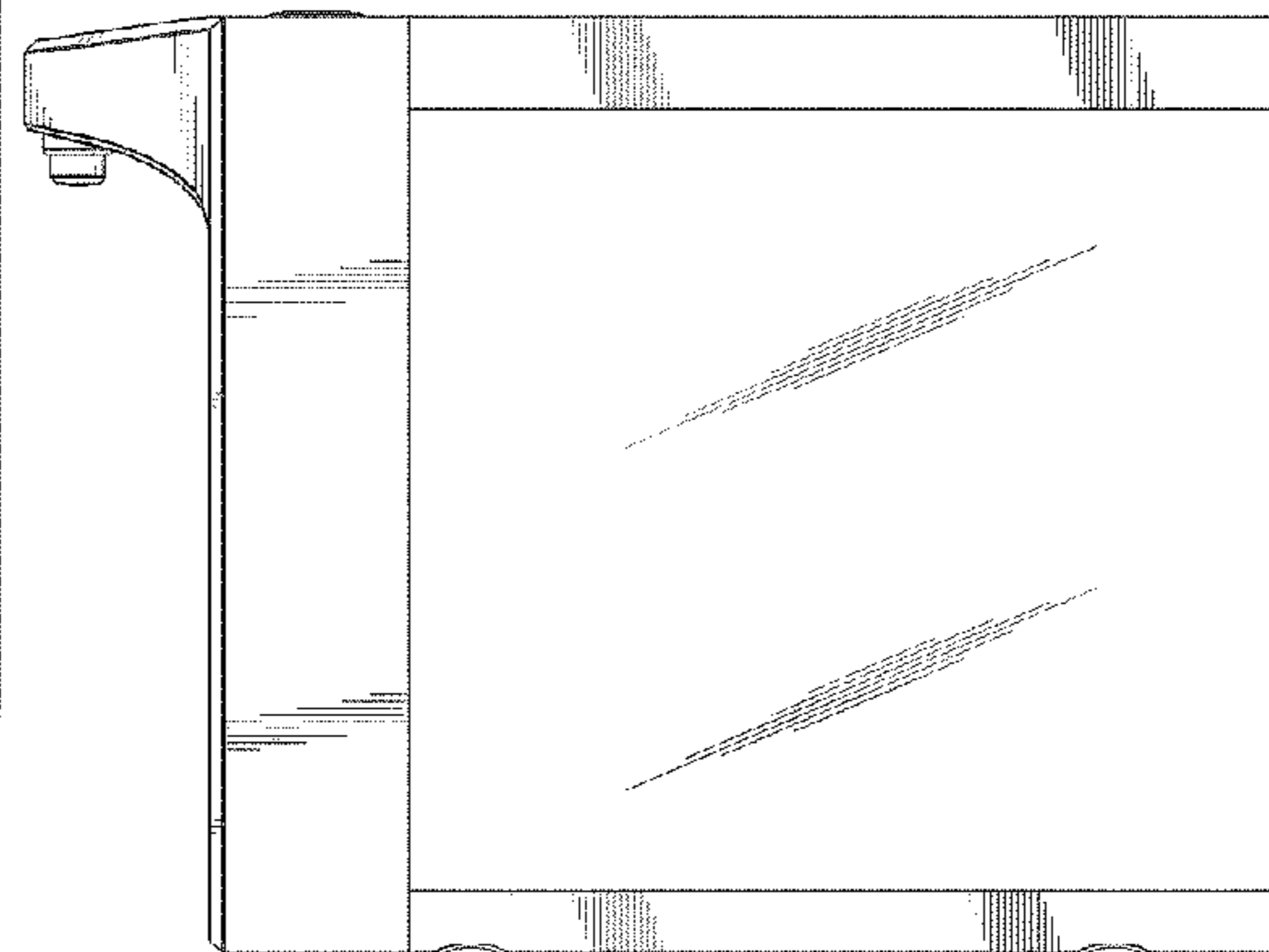
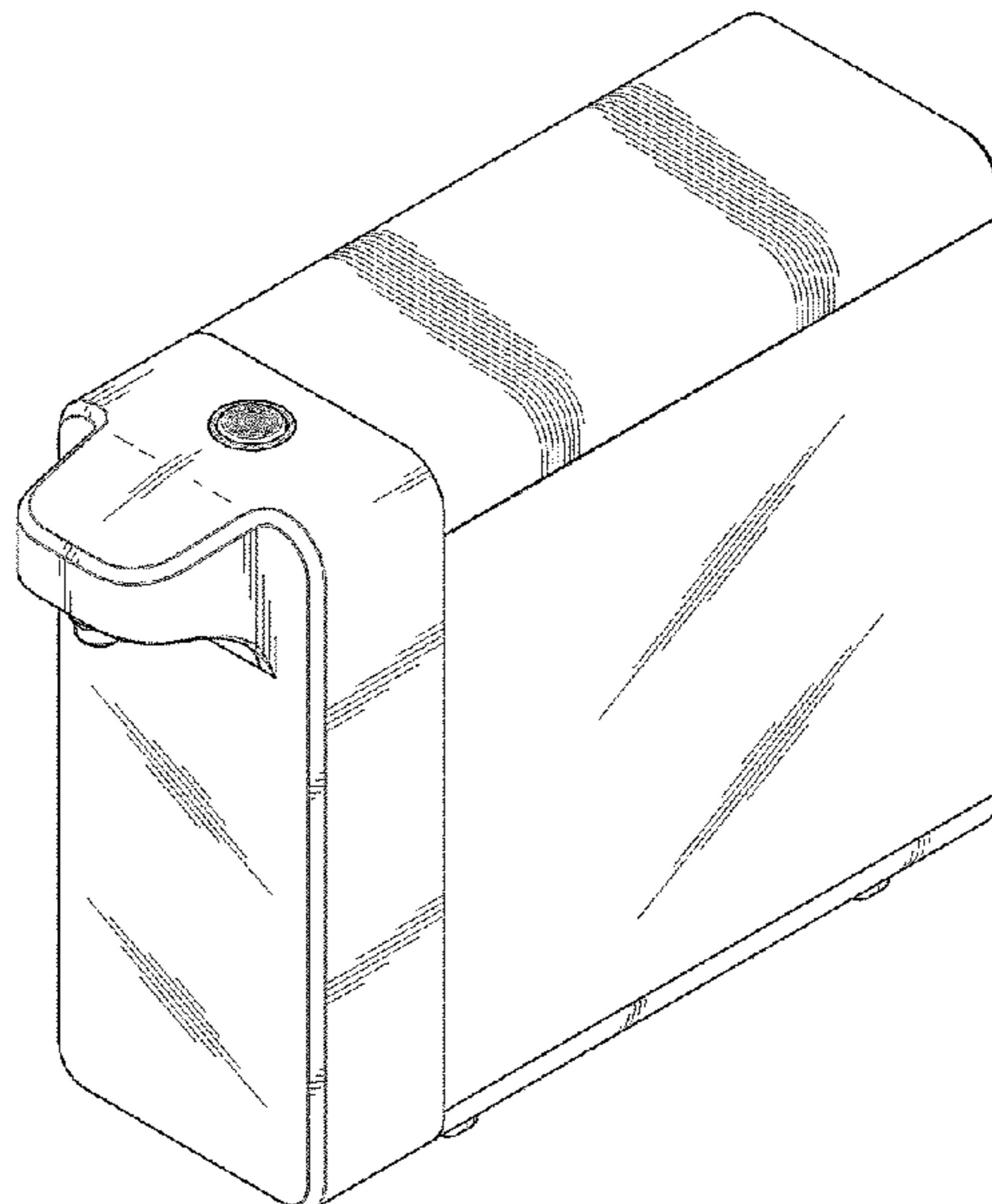
FIG. 4 is a left side view thereof;

FIG. 5 is a right side view thereof;

FIG. 6 is a top view thereof; and,

FIG. 7 is a bottom view thereof.

1 Claim, 7 Drawing Sheets



(56)

References Cited

OTHER PUBLICATIONS

Brio Countertop Bottleless Water Cooler, Feb. 4, 2020, Amazon, site visited Jun. 13, 2022: <https://www.amazon.com/dp/B084GGP336/> (Year: 2020).*

NutriChef Hot Water Urn, Feb. 6, 2018, Amazon, site visited Jun. 13, 2022: <https://www.amazon.com/dp/B079MGKTKX/> (Year: 2018).*

* cited by examiner

FIG. 1

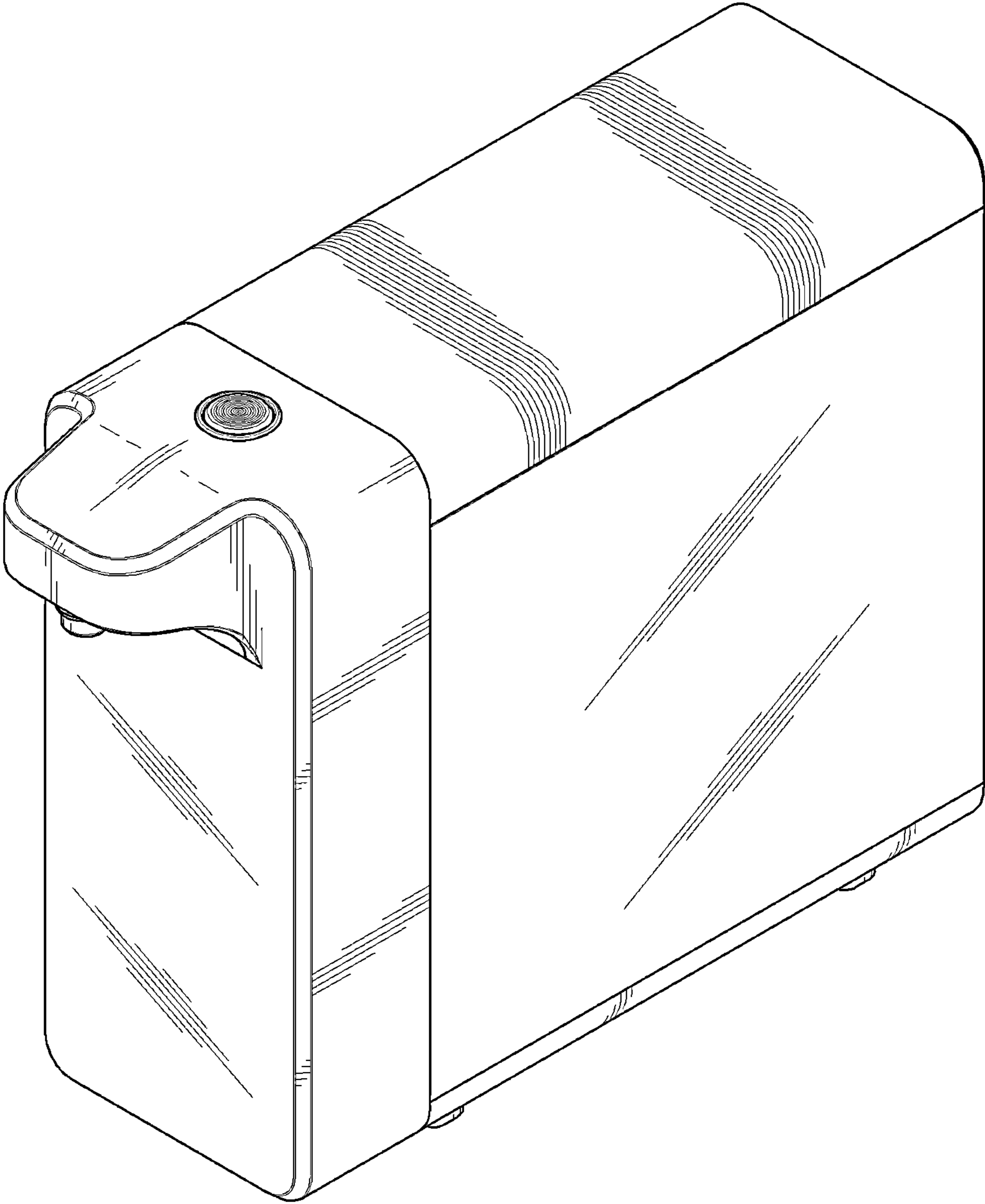


FIG. 2

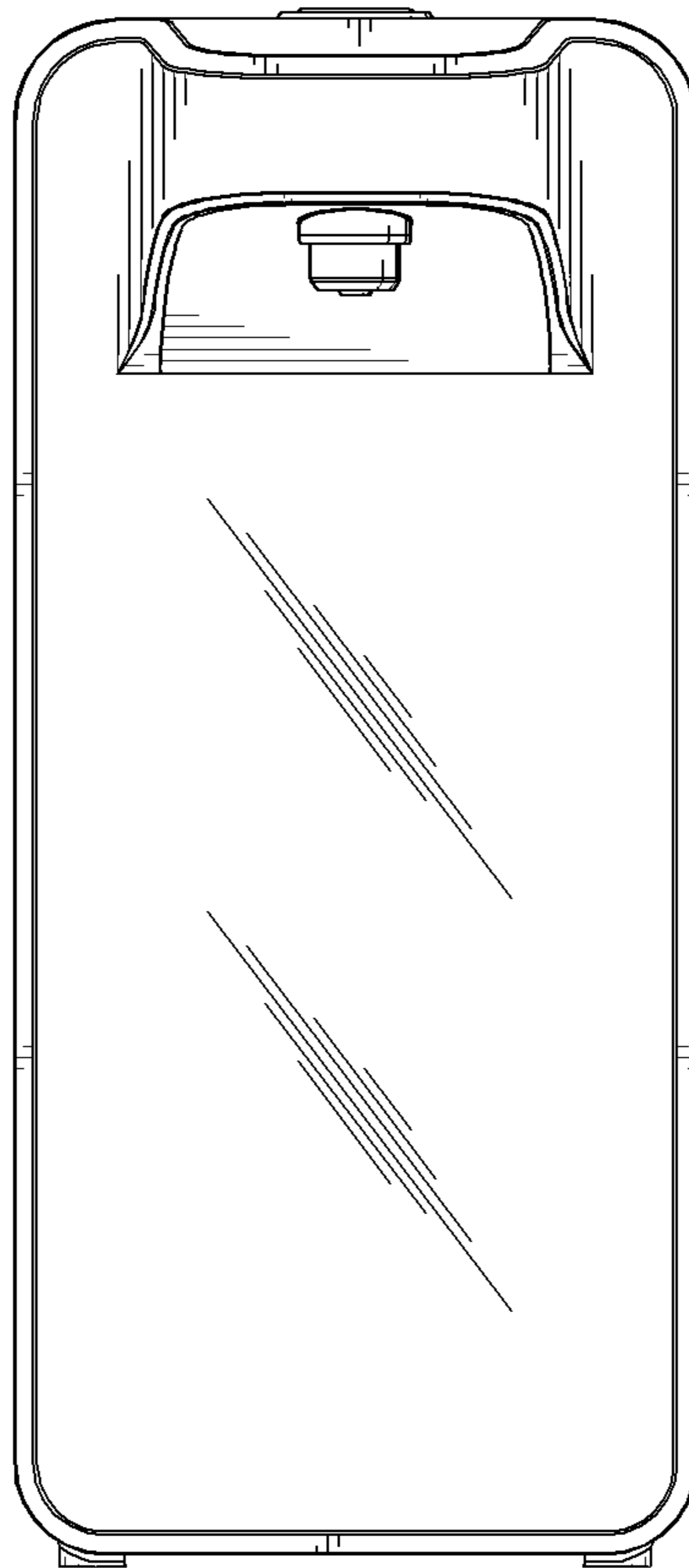


FIG. 3

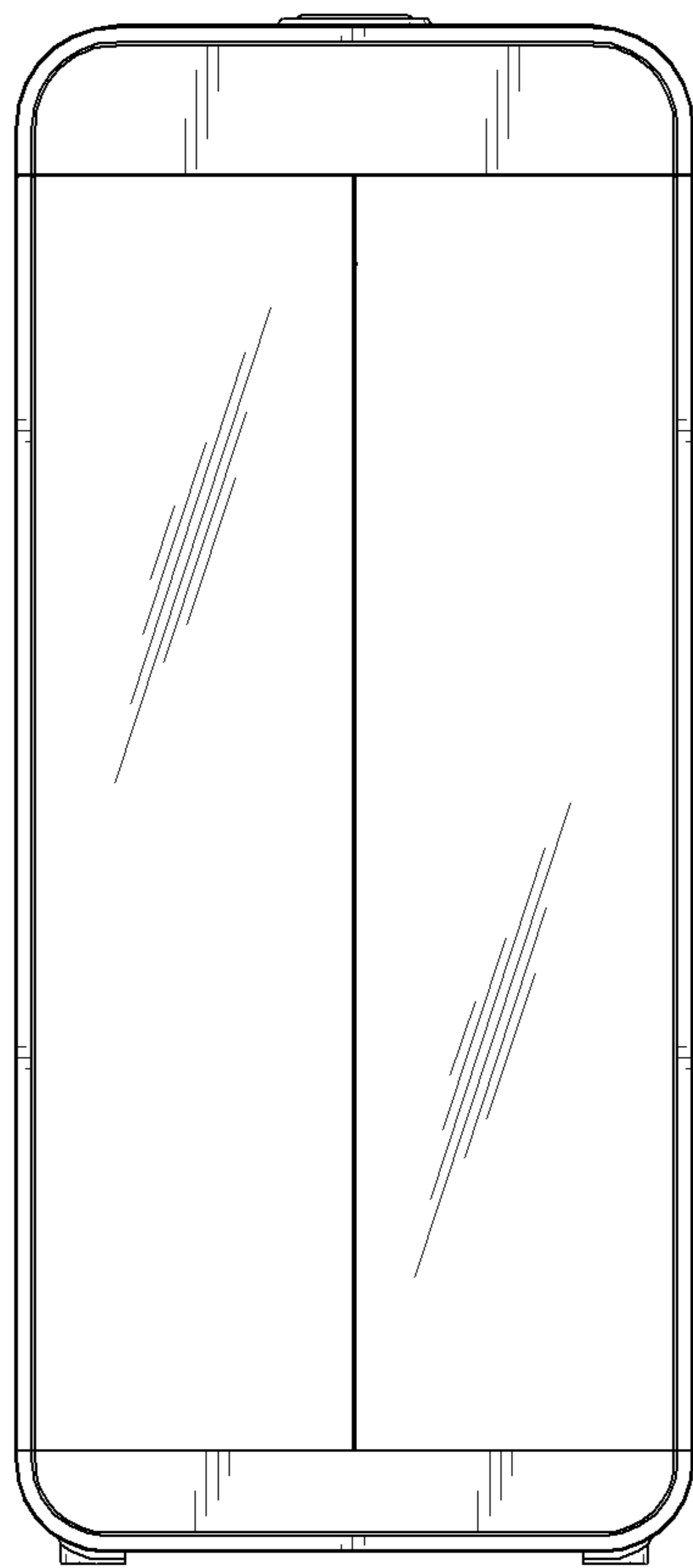


FIG. 4

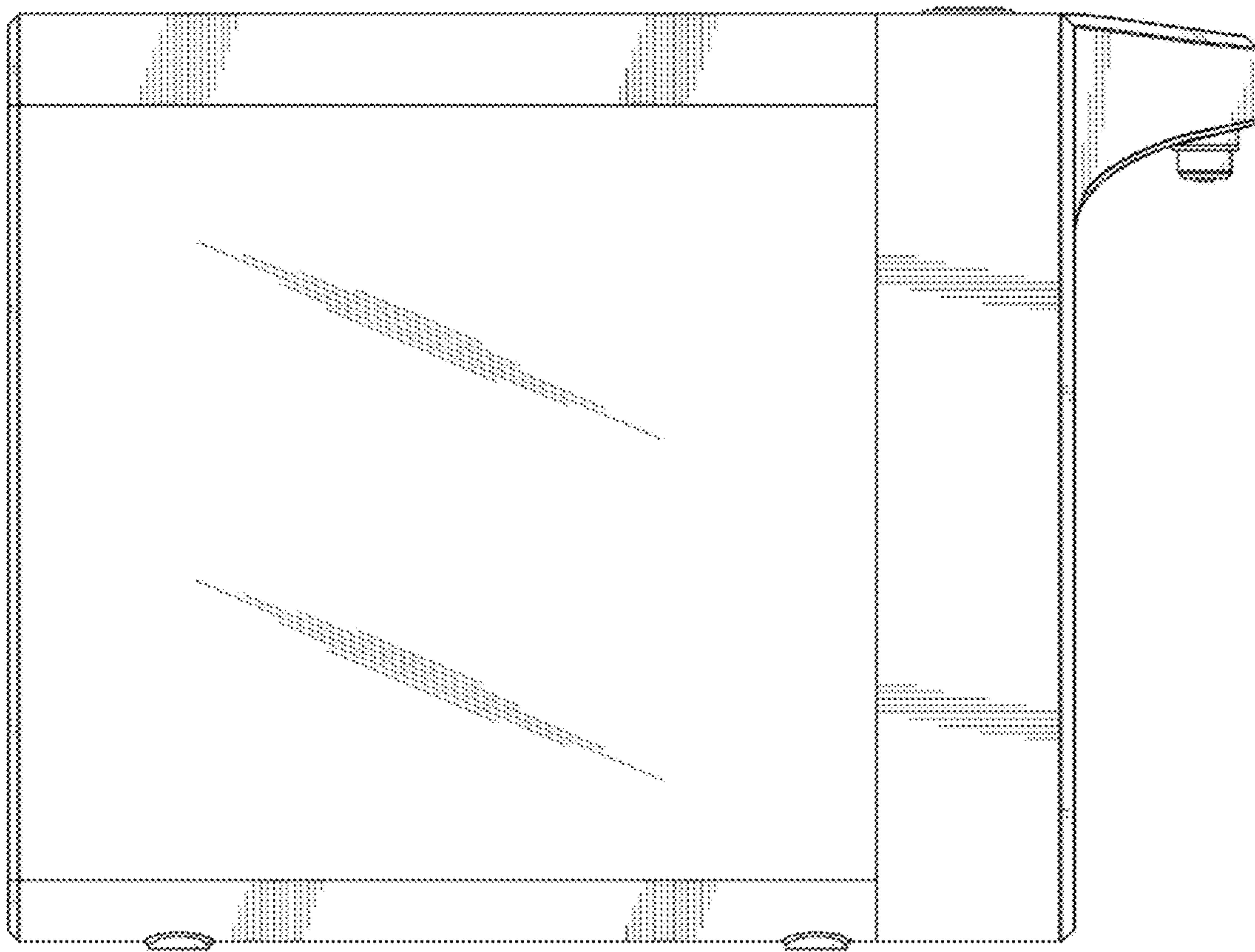


FIG. 5

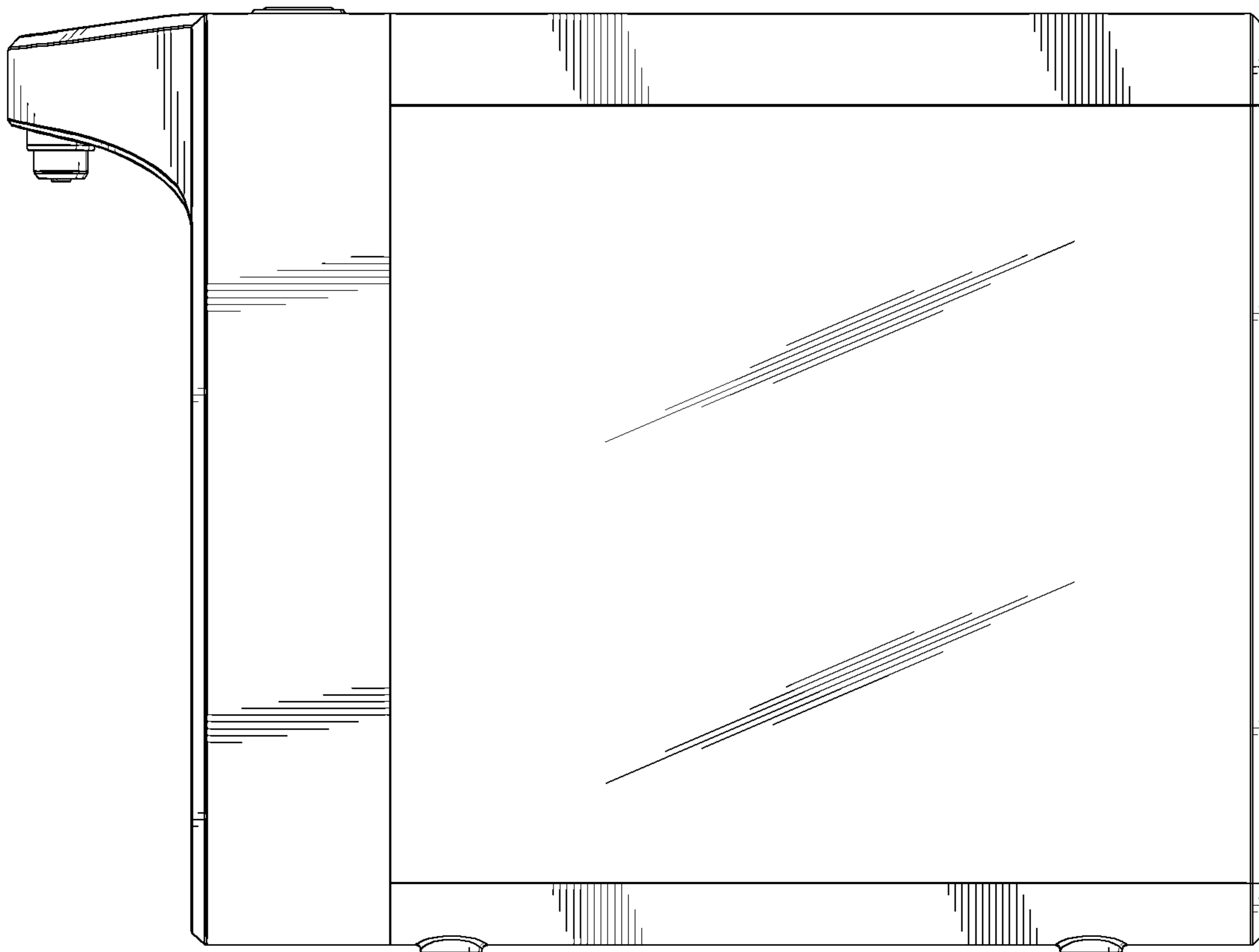


FIG. 6

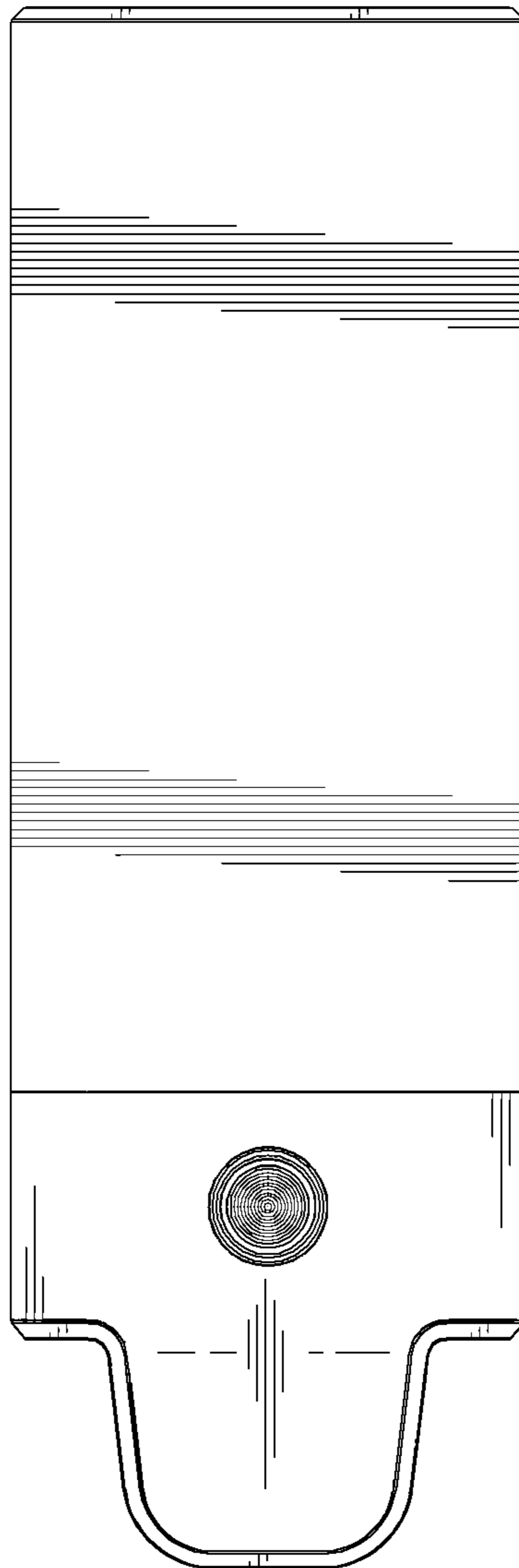


FIG. 7

