



US00D960287S

(12) **United States Design Patent**
Kremerman

(10) **Patent No.:** **US D960,287 S**
(45) **Date of Patent:** **** Aug. 9, 2022**

- (54) **DISTILLATION UNIT WITH MAGNETIC SPINNER**
- (71) Applicant: **Elliot Kremerman**, Los Gatos, CA (US)
- (72) Inventor: **Elliot Kremerman**, Los Gatos, CA (US)
- (**) Term: **15 Years**
- (21) Appl. No.: **29/759,391**
- (22) Filed: **Nov. 23, 2020**
- (51) **LOC (13) Cl.** **23-01**
- (52) **U.S. Cl.**
USPC **D23/207**
- (58) **Field of Classification Search**
USPC D15/5, 138; D23/207
CPC F24H 1/185; B01L 7/00
See application file for complete search history.

- 3,543,004 A * 11/1970 Rickert F24H 9/1818
219/535
- 5,810,976 A * 9/1998 Keith C02F 1/042
202/202
- 8,216,431 B1 * 7/2012 Tel B01D 1/0058
203/88
- 9,541,538 B2 * 1/2017 Tanabe B01L 9/06
- 11,084,009 B2 * 8/2021 Kremerman F04D 29/588
- 11,111,924 B2 * 9/2021 Kremerman H02K 49/108
- 2011/0048145 A1 * 3/2011 Hattori B01L 7/00
73/866
- 2021/0071671 A1 * 3/2021 Kremerman F04D 13/024
- 2021/0190074 A1 * 6/2021 Kremerman H02K 49/108

OTHER PUBLICATIONS

<https://summit-research.tech/product/genesis-mantle/> (Year: 2022).*

* cited by examiner

Primary Examiner — Ania Aman

(74) *Attorney, Agent, or Firm* — Michael J. Feigin, Esq.;
Feigin and Fridman LLC

(56) **References Cited**

U.S. PATENT DOCUMENTS

- 2,607,876 A * 8/1952 Johnson B01L 7/00
219/415
- 2,739,220 A * 3/1956 Morey B01D 1/0017
219/535
- 2,842,654 A * 7/1958 Anderson B01L 7/00
219/433
- 2,878,007 A * 3/1959 Corbett B01L 7/00
374/49
- 2,955,025 A * 10/1960 Conlon B01L 7/00
422/198
- 3,177,343 A * 4/1965 Morey B01L 7/00
219/535
- 3,281,579 A * 10/1966 Glicksman H05B 3/36
219/535
- 3,424,637 A * 1/1969 Morey B29C 70/003
264/279
- 3,484,585 A * 12/1969 Morey H05B 3/342
219/535

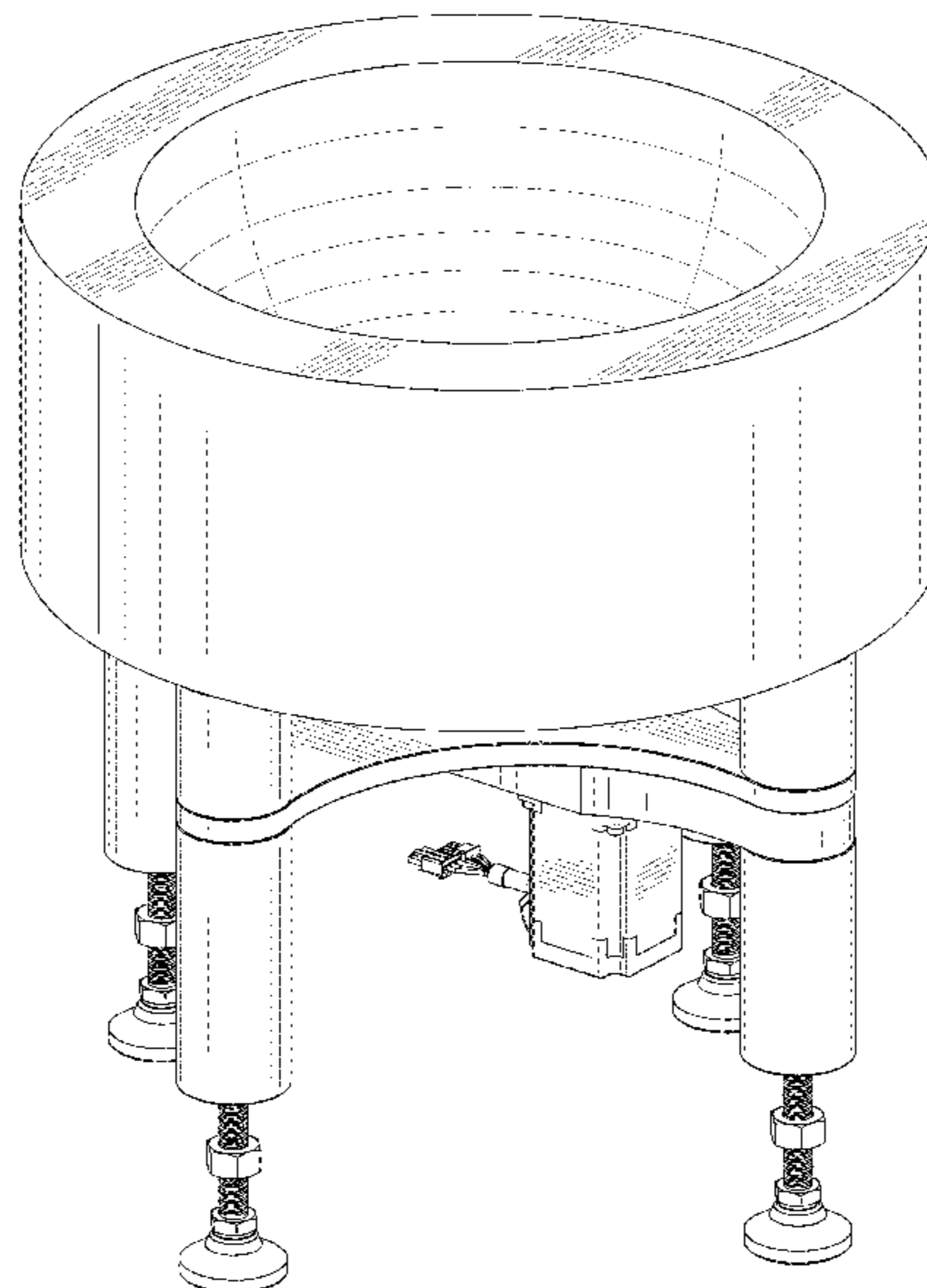
(57) **CLAIM**

The ornamental design for a distillation unit with magnetic spinner, as shown and described.

DESCRIPTION

- FIG. 1 shows a top and side perspective view of a distillation unit with magnetic spinner.
- FIG. 2 shows a reverse bottom and side perspective view thereof.
- FIG. 3 shows a first elevation view thereof.
- FIG. 4 shows a second elevation view thereof.
- FIG. 5 shows a third elevation view thereof.
- FIG. 6 shows a fourth elevation view thereof.
- FIG. 7 shows a top plan view thereof; and,
- FIG. 8 shows a bottom plan view thereof.

1 Claim, 8 Drawing Sheets



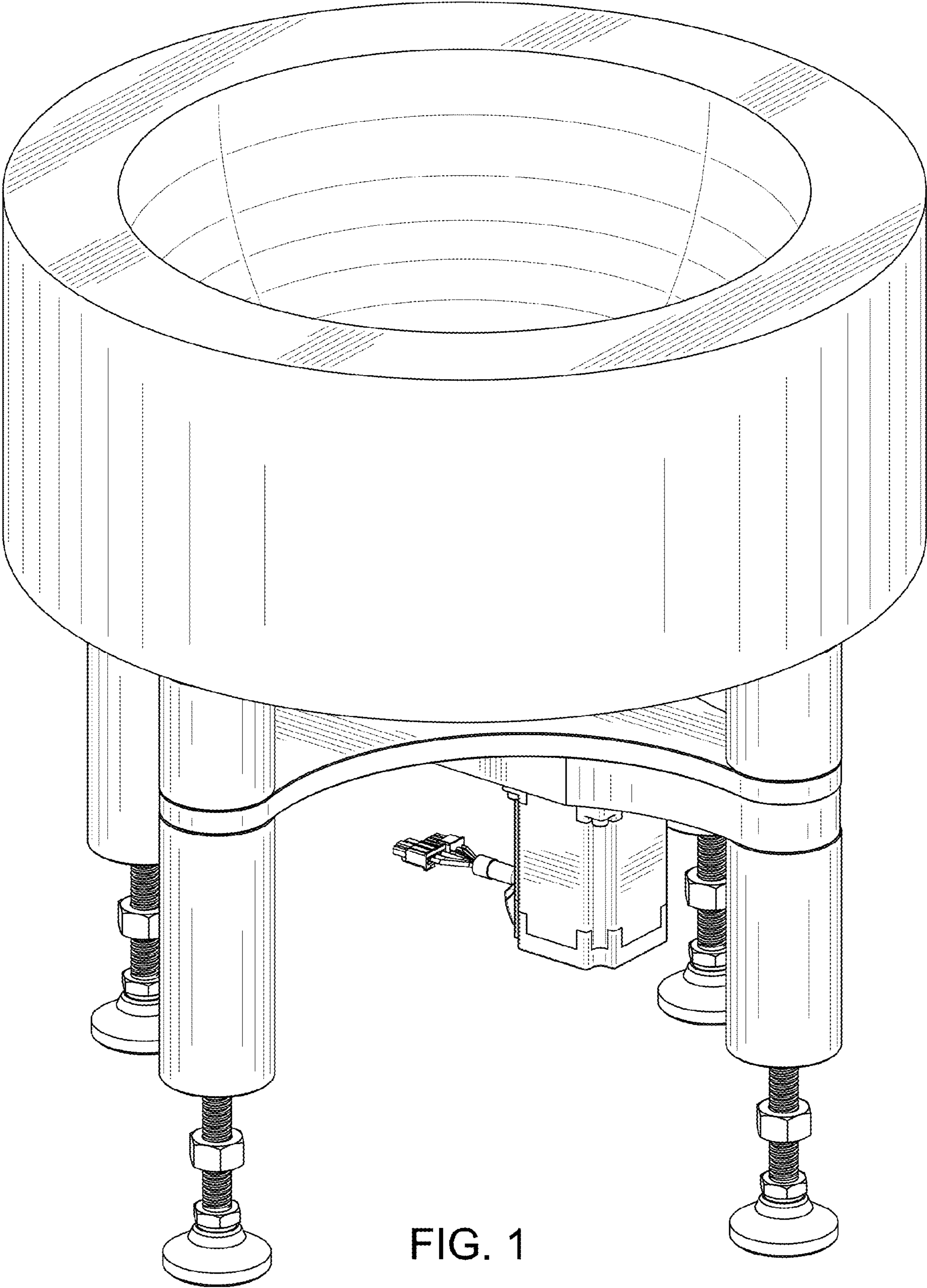


FIG. 1

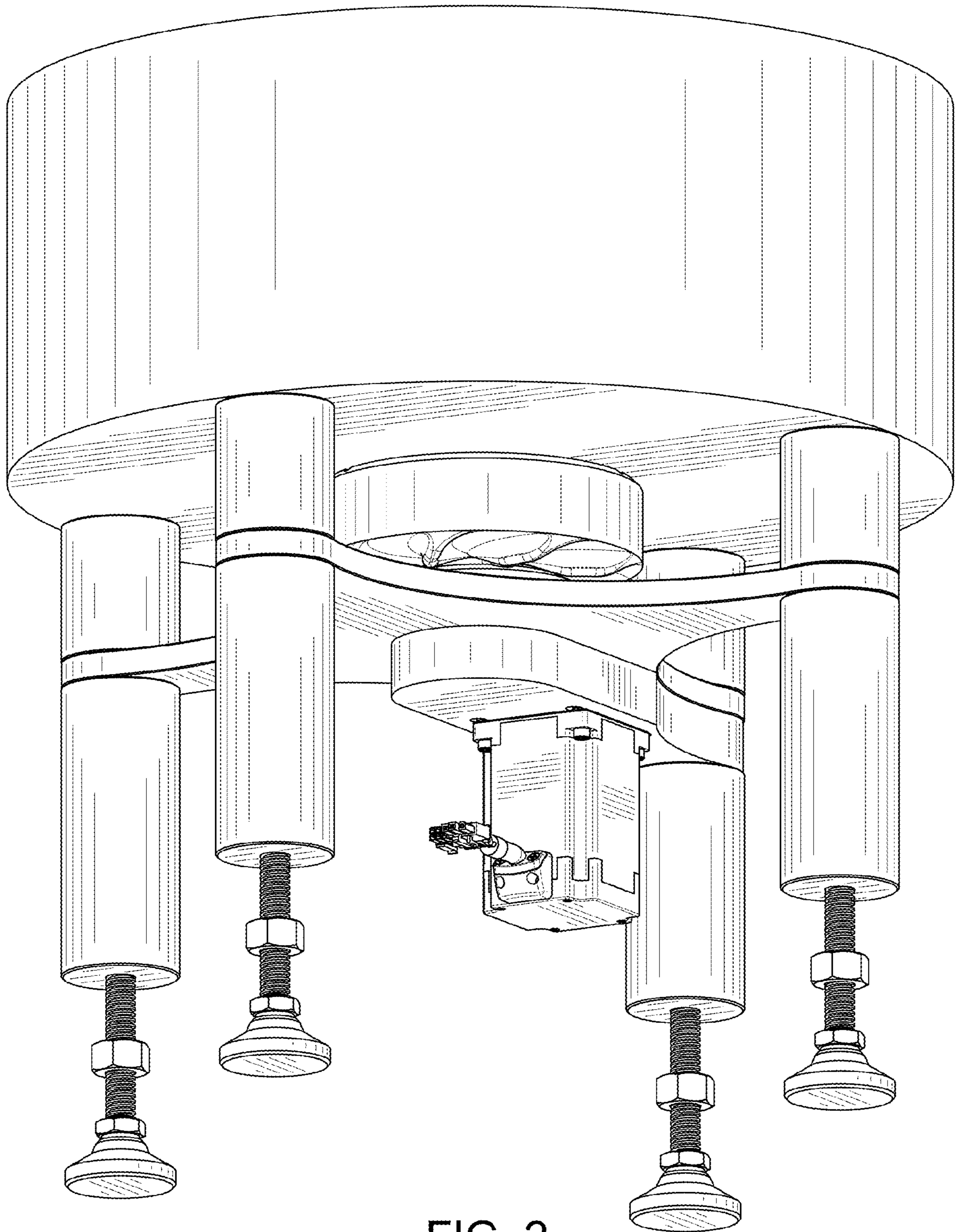


FIG. 2

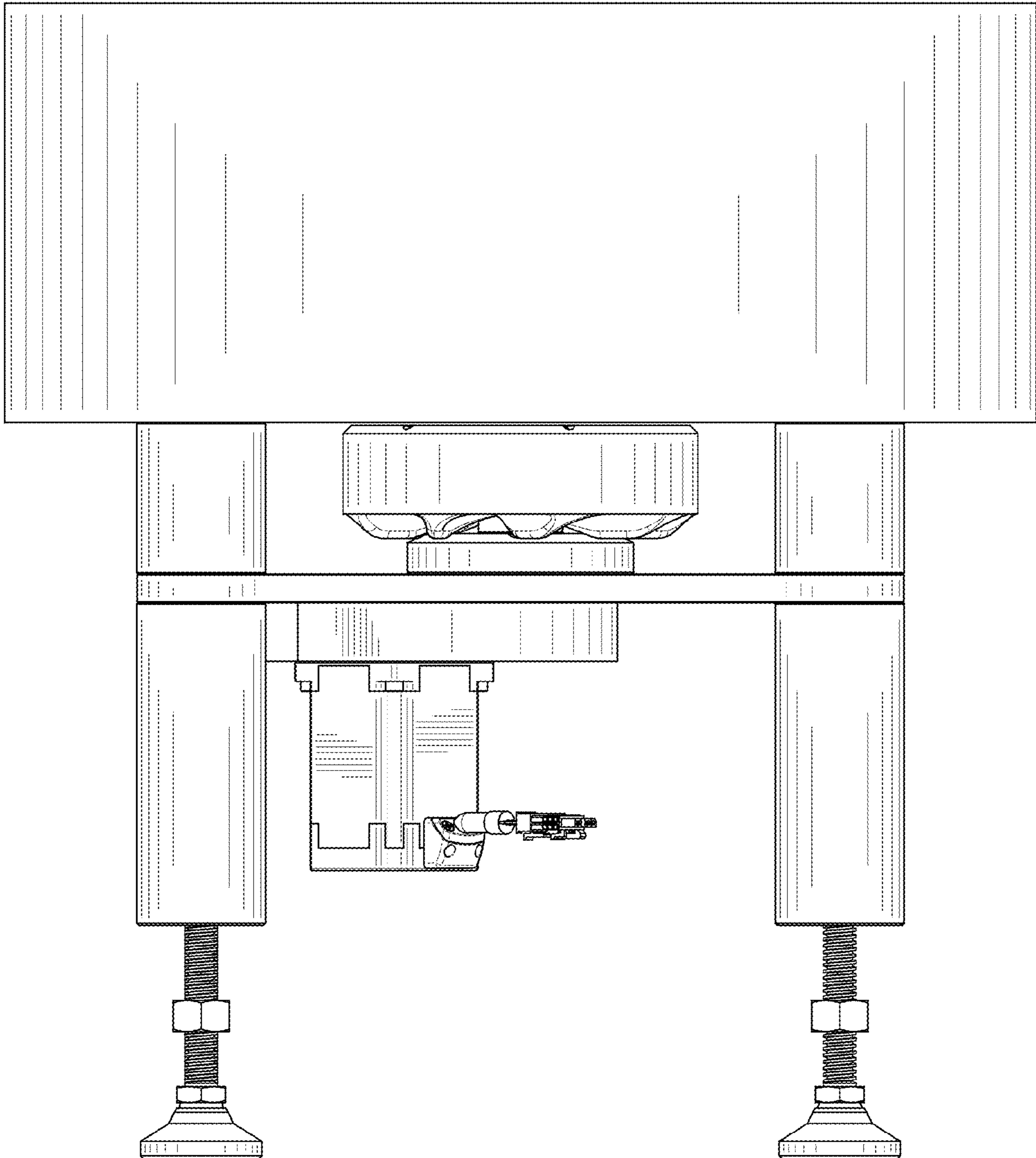


FIG. 3

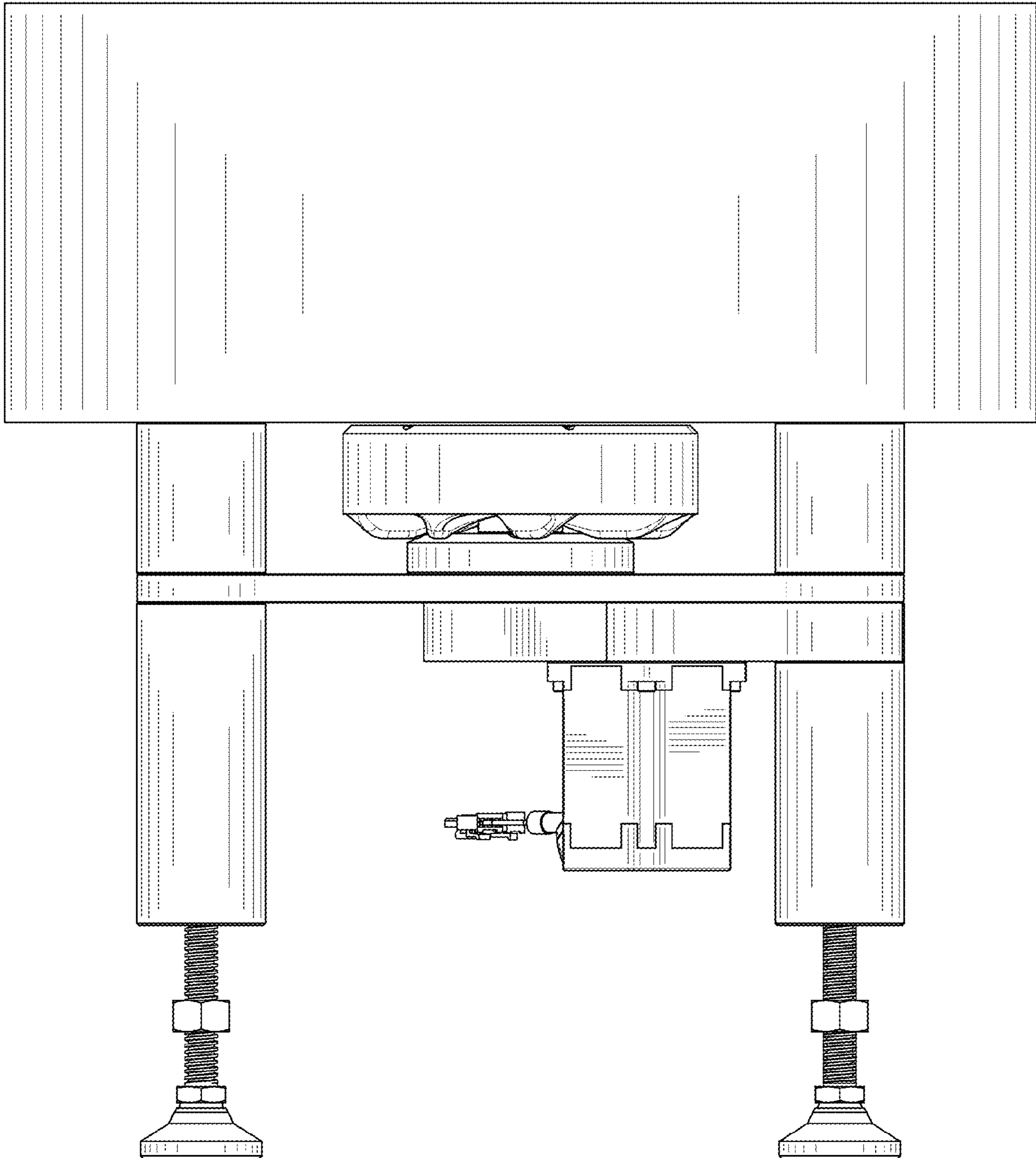


FIG. 4

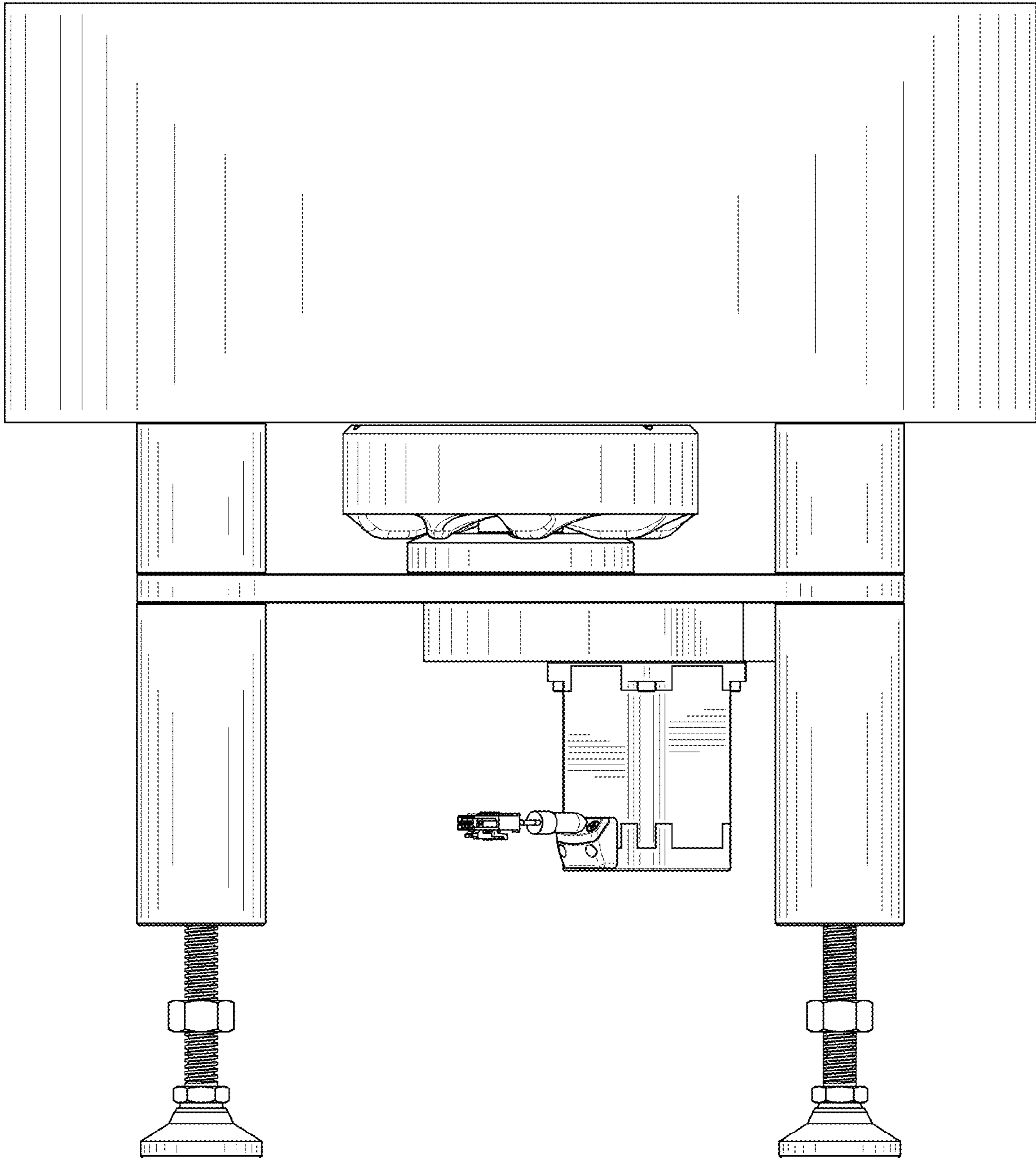


FIG. 5

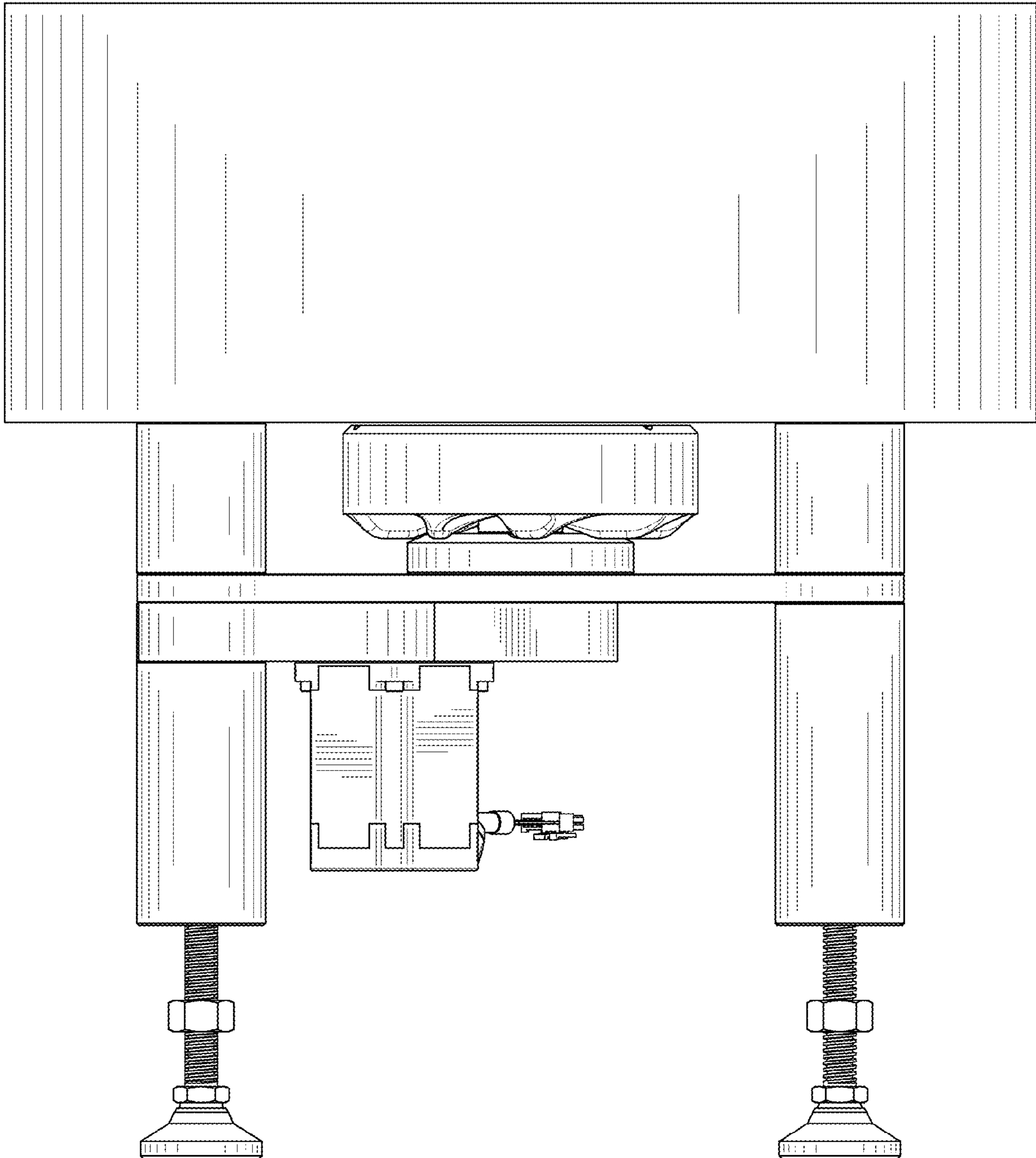


FIG. 6

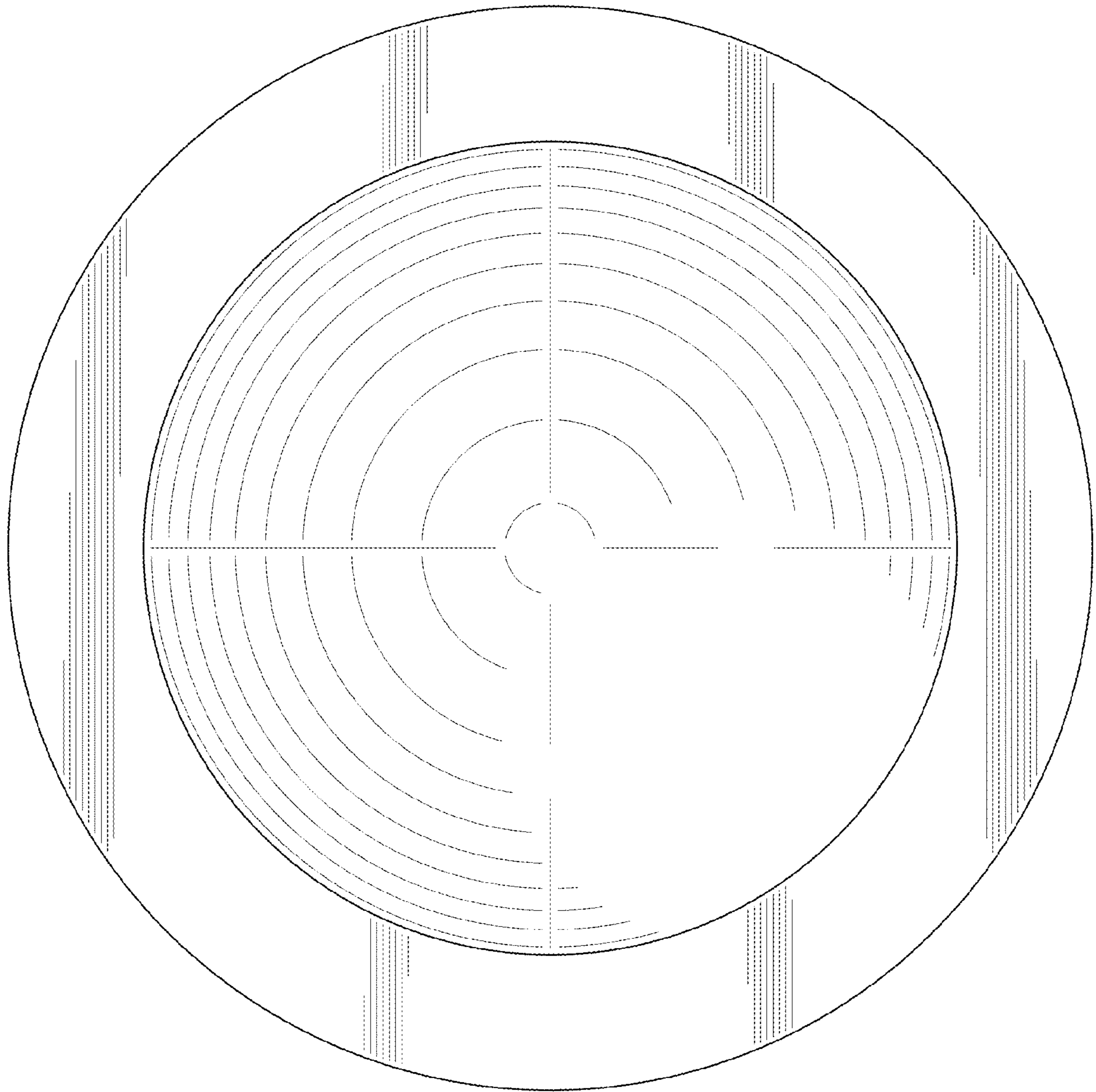


FIG. 7

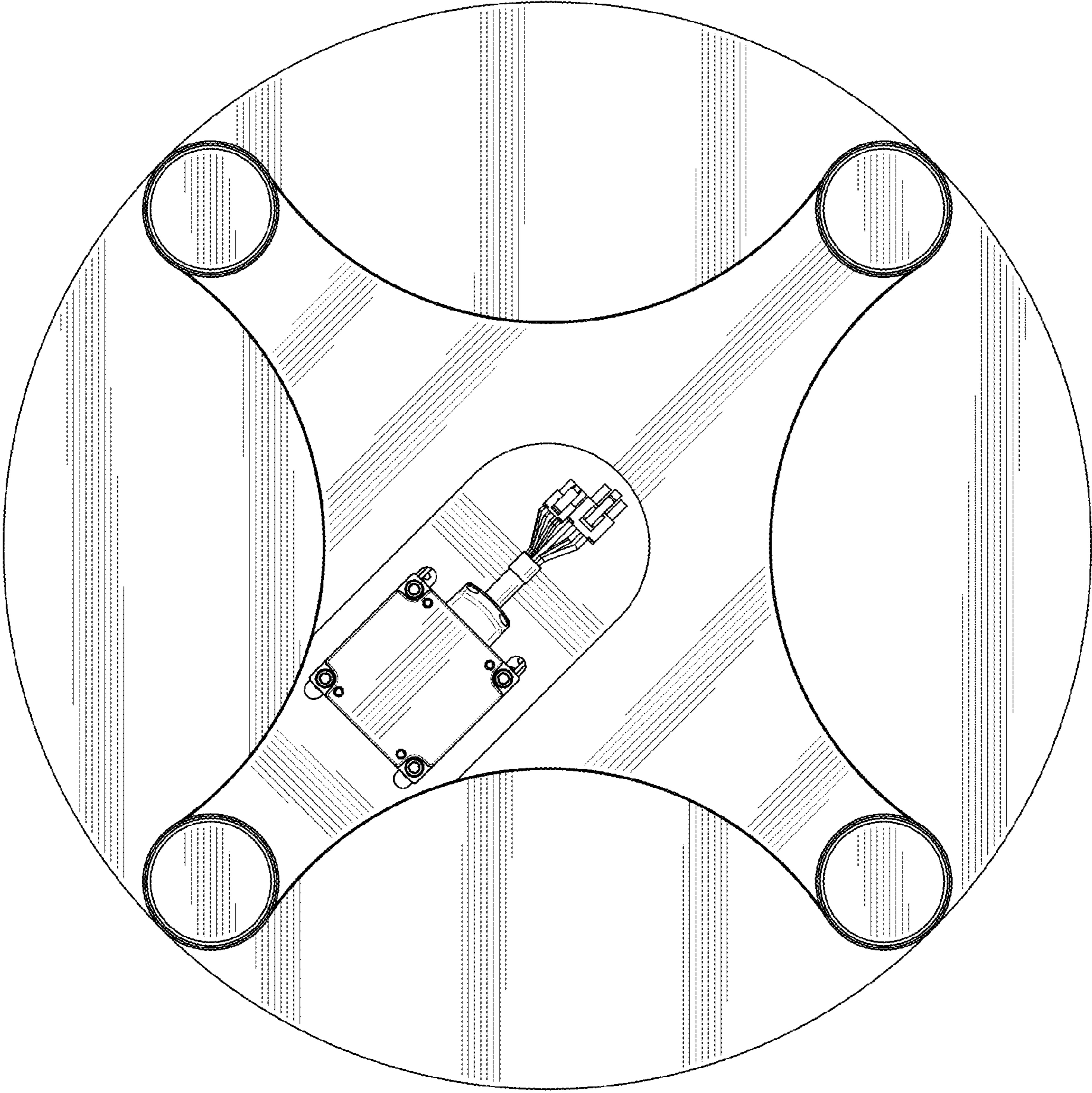


FIG. 8