



US00D960285S

(12) **United States Design Patent**  
**Higaki et al.**

(10) **Patent No.:** **US D960,285 S**  
(45) **Date of Patent:** **\*\* Aug. 9, 2022**

(54) **LUBRICATOR**

FOREIGN PATENT DOCUMENTS

(71) Applicant: **SMC CORPORATION**, Tokyo (JP)  
(72) Inventors: **Tadamitsu Higaki**, Moriya (JP);  
**Tomokazu Ueno**, Tsukubamirai (JP)

JP 857998 S 1/1993  
JP 904920 S 8/1994  
JP 1061087 S 2/2000

(73) Assignee: **SMC CORPORATION**, Tokyo (JP)

(\*\*) Term: **15 Years**

(21) Appl. No.: **29/739,458**

(22) Filed: **Jun. 25, 2020**

(30) **Foreign Application Priority Data**

Dec. 26, 2019 (JP) ..... 2019-028882

(51) **LOC (13) Cl.** ..... **23-01**

(52) **U.S. Cl.**  
USPC ..... **D23/207**

(58) **Field of Classification Search**  
USPC ..... D23/207, 209, 235, 341, 358, 363-365;  
D15/5  
CPC .... B01D 46/0002; B01D 46/10; F02M 35/04;  
F02M 35/10; F02M 35/024  
See application file for complete search history.

(56) **References Cited**

U.S. PATENT DOCUMENTS

D650,402 S 12/2011 Yamase et al.  
D650,403 S 12/2011 Yamase et al.  
D850,579 S 6/2019 Ito et al.  
D907,176 S \* 1/2021 Qiang ..... D23/209  
D909,606 S \* 2/2021 Maibach, Jr. .... D24/232  
D916,265 S \* 4/2021 Jung ..... D23/364  
D920,469 S \* 5/2021 Babaie ..... D23/207  
D921,151 S \* 6/2021 Cho ..... D23/207  
D924,361 S \* 7/2021 Matsushita ..... D23/235

OTHER PUBLICATIONS

Finderomend 1" NPT Air Drying System, Air Compressor Regulator, Compressed Air Filter, Jul. 22, 2021, Amazon.com, Aug. 31, 2021. URL: <https://www.amazon.com/Finderomend-Compressor-Regulator-Compressed-Polyethylene/dp/B097PPXH5C> (Year: 2021).\*

(Continued)

*Primary Examiner* — Keith J Wilson

(74) *Attorney, Agent, or Firm* — Birch, Stewart, Kolasch & Birch, LLP

(57) **CLAIM**

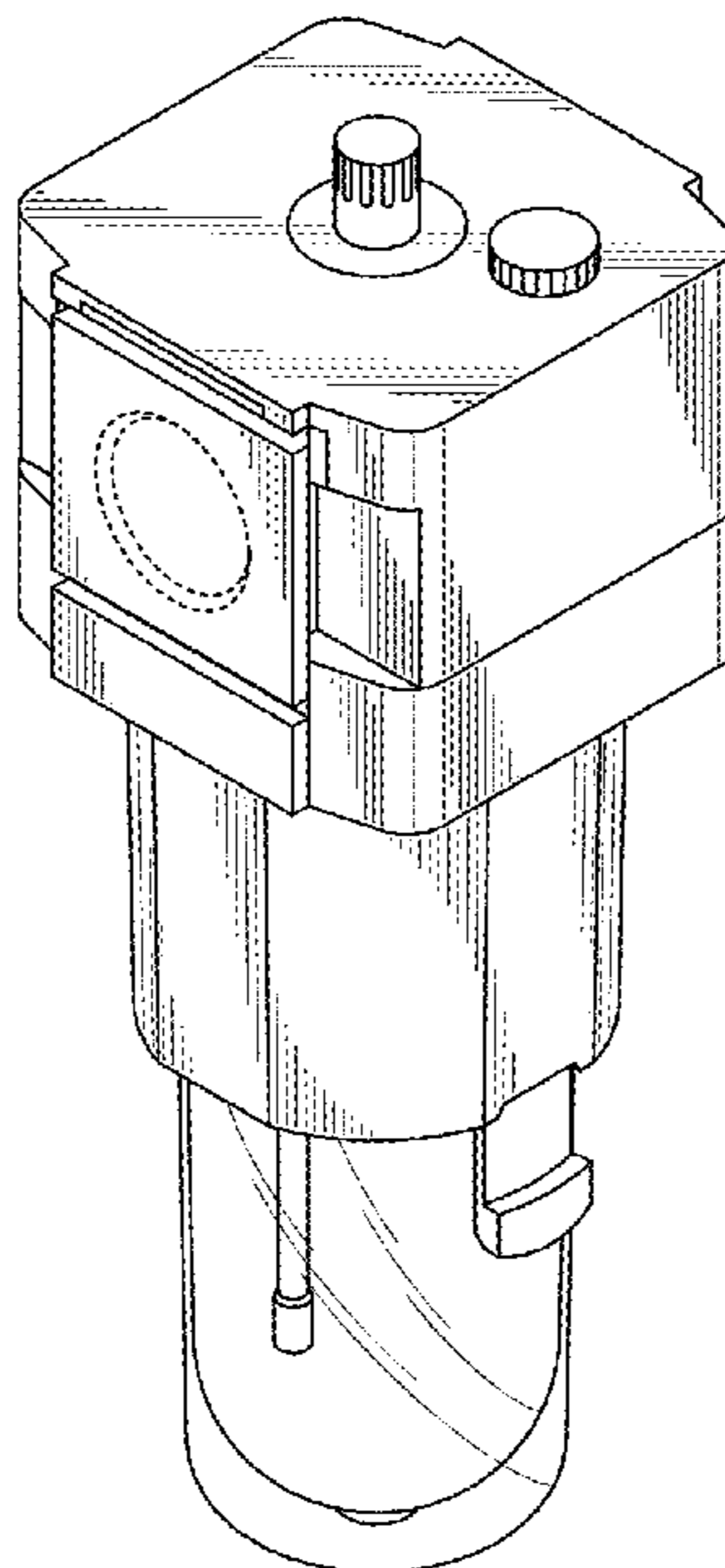
The ornamental design for a lubricator, as shown and described.

**DESCRIPTION**

FIG. 1 is a front, top and left side perspective view of a lubricator showing our new design;  
FIG. 2 is a rear, bottom and right side perspective view thereof;  
FIG. 3 is a front view thereof;  
FIG. 4 is a rear view thereof;  
FIG. 5 is a top plan view thereof;  
FIG. 6 is a bottom plan view thereof;  
FIG. 7 is a left side view thereof;  
FIG. 8 is a right side view thereof; and,  
FIG. 9 is a partial cross sectional view taken along the line 9-9 of FIG. 5.

The broken lines depict portions of the lubricator that form no part of the claimed design.

**1 Claim, 9 Drawing Sheets**



(56)

**References Cited**

OTHER PUBLICATIONS

Maxblue U8-ST Direct Connect Under Sink Water Filter, Feb. 22, 2021, Amazon.com, Aug. 31, 2021, URL: <https://www.amazon.com/Maxblue-Connect-Undersink-Filtration-Chlorine/dp/B08X459D3V> (Year: 2021).\*

PneumaticPlus SAF2000M-N02B Miniature Compressed Air Particulate Filter, Aug. 26, 2011, Amazon.com, Aug. 31, 2021, URL: <https://www.amazon.com/PneumaticPlus-SAF2000M-N02B-Miniature-Compressed-Particulate/dp/B005JDL2IC> (Year: 2011).\*

\* cited by examiner

FIG. 1

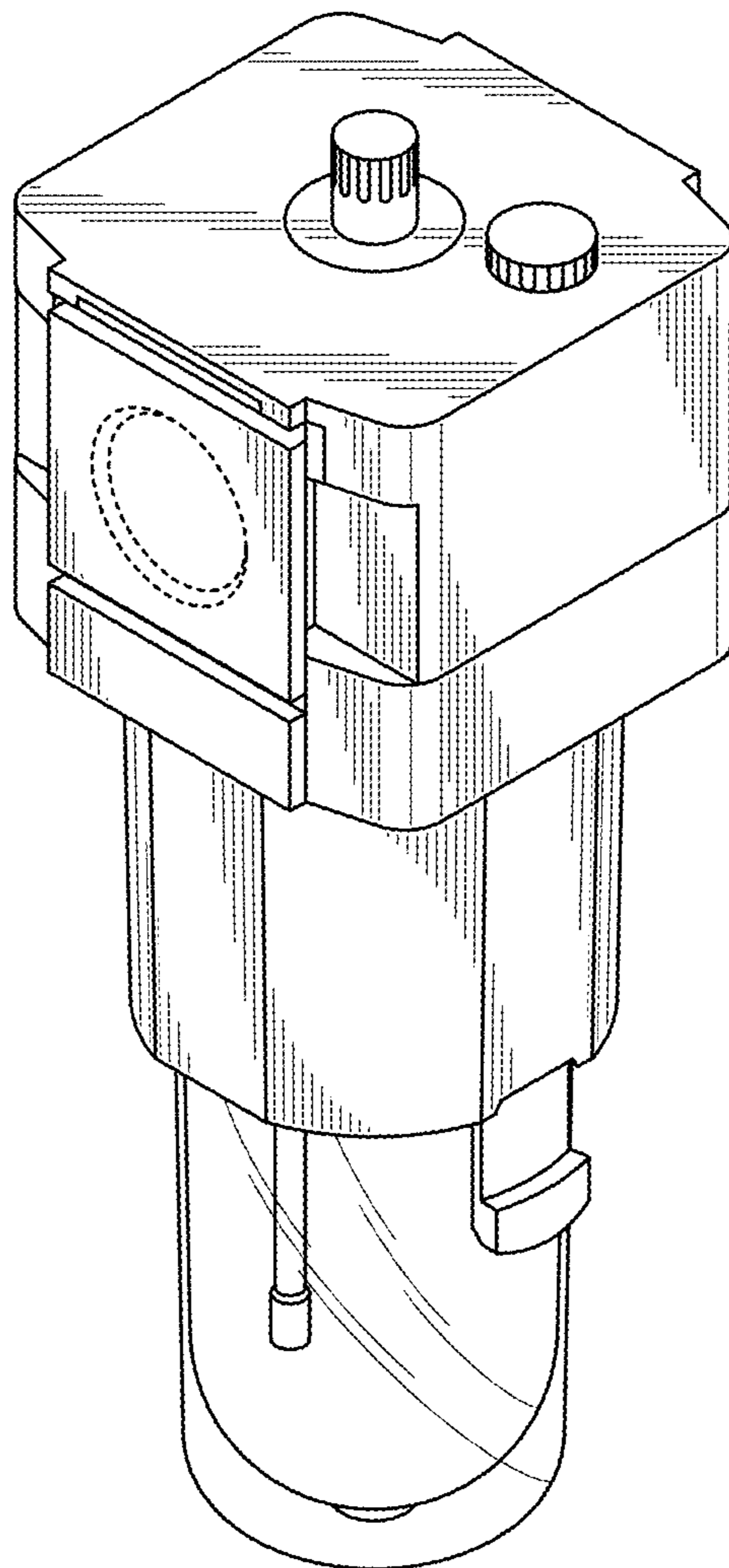


FIG. 2

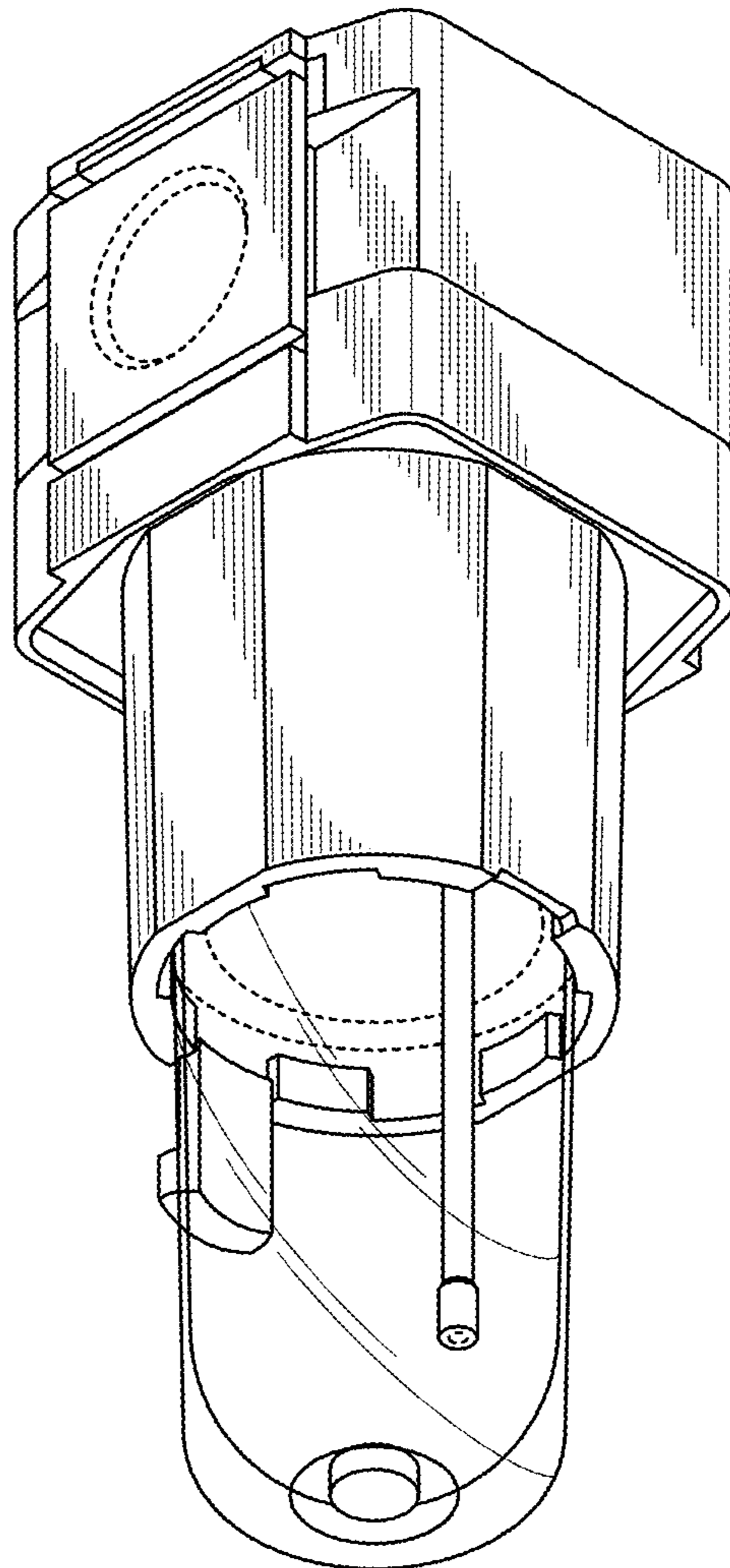


FIG. 3

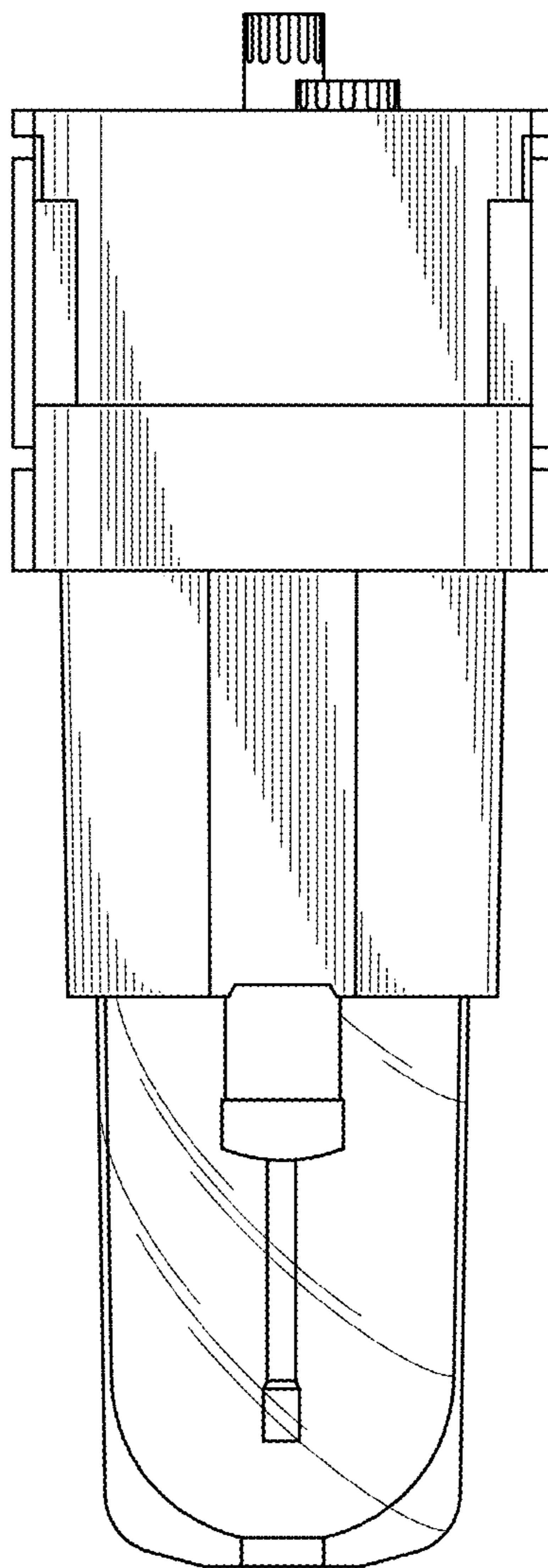


FIG. 4

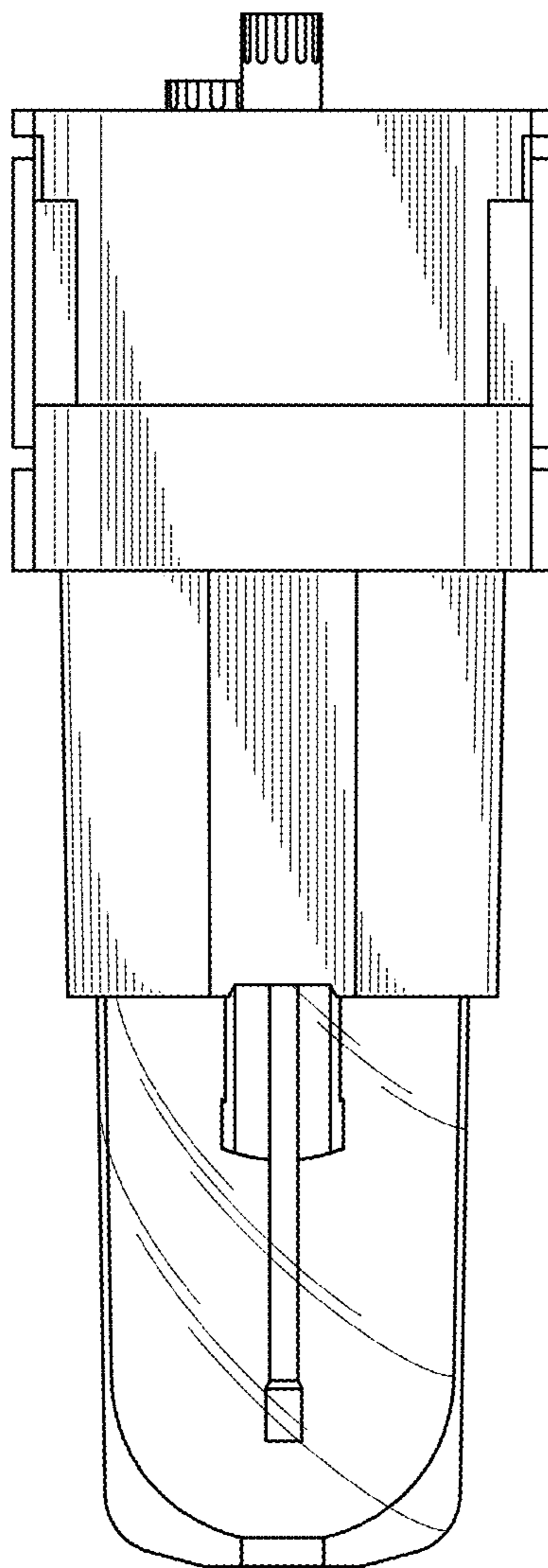


FIG. 5

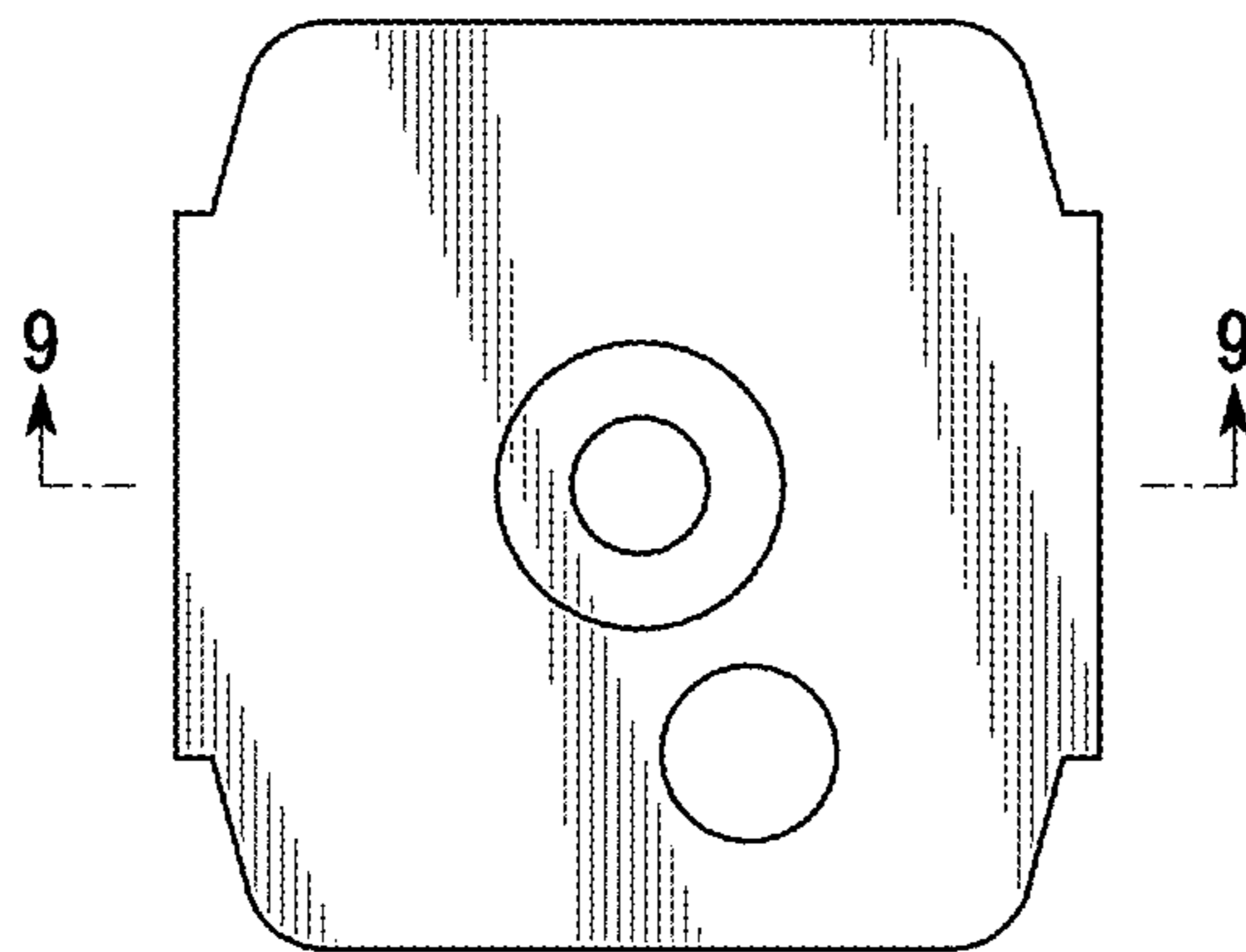


FIG. 6

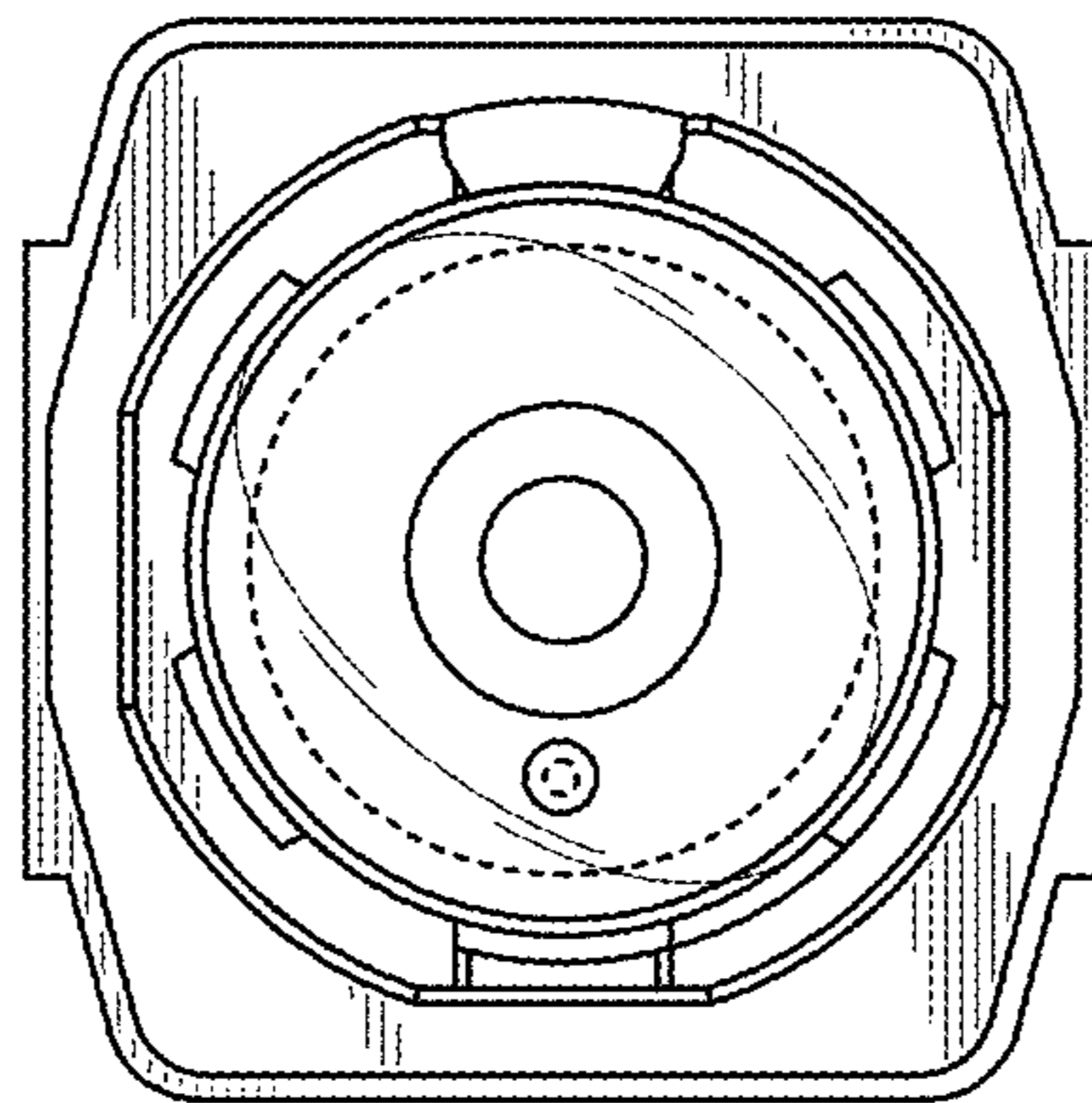




FIG. 7

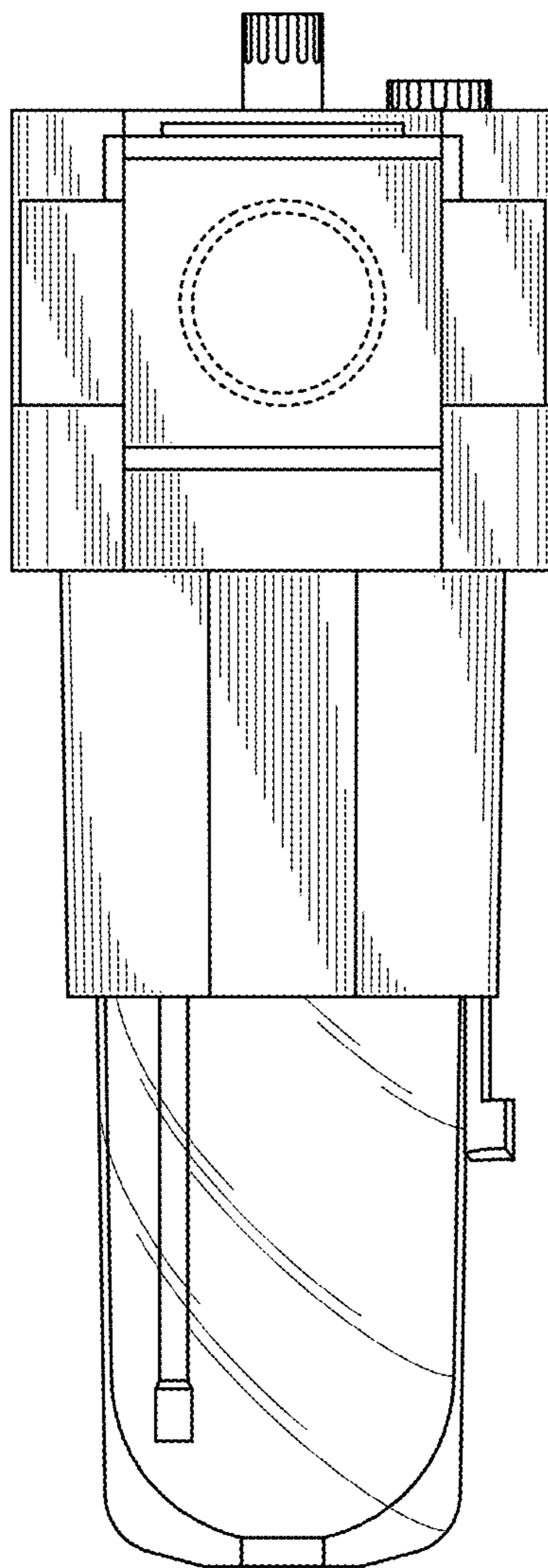


FIG. 8

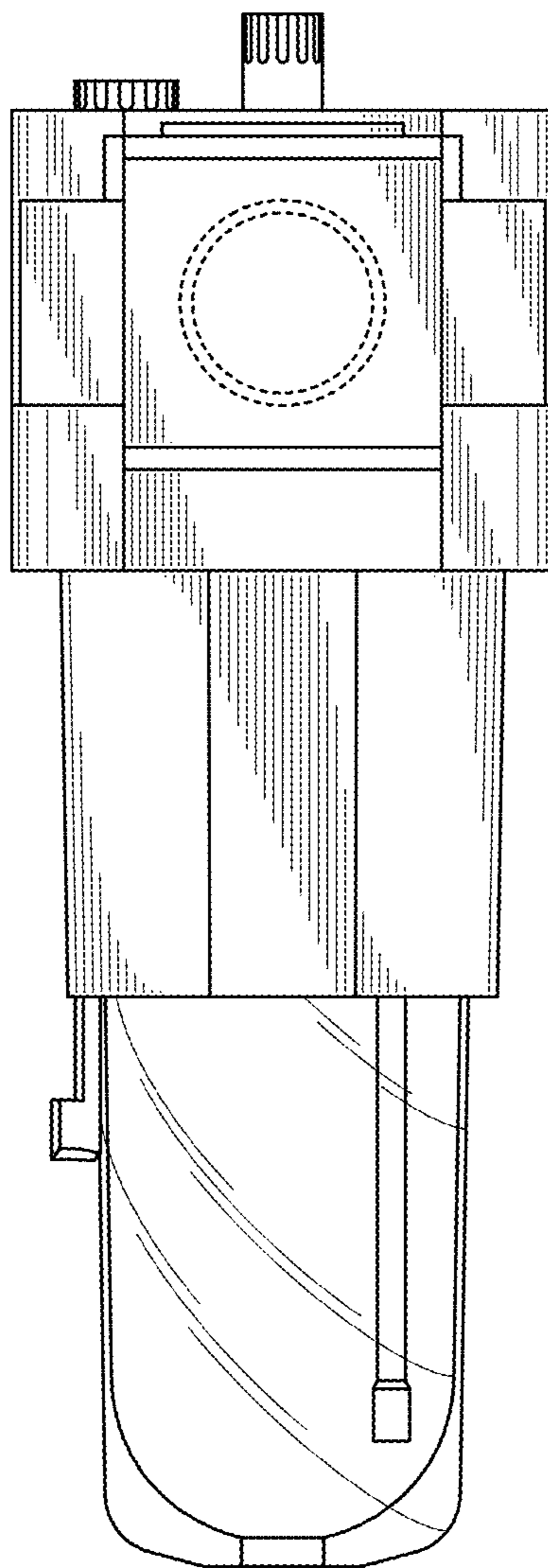


FIG. 9

