

US00D960282S

(12) **United States Design Patent**
Milverton et al.

(10) **Patent No.:** **US D960,282 S**
(45) **Date of Patent:** **** Aug. 9, 2022**

(54) **RODENT TRAP**

(71) Applicant: **Rentokil Initial 1927 plc**, Surrey (GB)

(72) Inventors: **Oliver John Lindsey Milverton**,
Salisbury (GB); **John McCaig**,
Pulborough (GB)

(**) Term: **15 Years**

(21) Appl. No.: **35/511,969**

(22) Filed: **Dec. 4, 2020**

(80) **Hague Agreement Data**

Int. Filing Date: **Dec. 4, 2020**

Int. Reg. No.: **DM/211618**

Int. Reg. Date: **Dec. 4, 2020**

Int. Reg. Pub. Date: **Jun. 4, 2021**

(51) **LOC (13) Cl.** **22-06**

(52) **U.S. Cl.**

USPC **D22/119**

(58) **Field of Classification Search**

USPC D22/119, 122, 123, 124

CPC A01M 1/02; A01M 1/026; A01M 1/145;

A01M 23/005; A01M 2200/012

See application file for complete search history.

(56) **References Cited**

U.S. PATENT DOCUMENTS

- 1,860,231 A * 5/1932 Carpenter A01M 1/245
312/31.1
- D469,150 S * 1/2003 Scrivener D22/122
- D582,504 S * 12/2008 Wiesener D22/119
- 8,683,737 B2 * 4/2014 Studer A01M 23/08
43/67
- D802,080 S * 11/2017 Lo D22/119
- D814,602 S * 4/2018 Studer D22/122
- D852,923 S * 7/2019 Ryan D22/119
- D855,742 S * 8/2019 Yang D22/119
- D855,743 S * 8/2019 Falco, Jr. D22/122

- D864,347 S * 10/2019 Li D22/122
- D912,195 S * 3/2021 Furner D22/122
- 2004/0025410 A1 * 2/2004 Shapland A01M 23/08
43/65
- 2004/0200129 A1 * 10/2004 Studer A01M 1/145
43/113
- 2004/0216368 A1 * 11/2004 Simpson A01M 23/005
43/114

OTHER PUBLICATIONS

“Rentokil’s Radar super-mousetrap texts you when the pests are dead” [online], N. Patel. [Published on Oct. 9, 2007]. Retrieved from the Internet: <<https://www.engadget.com/2007-10-08-rentokils-radar-super-mousetrap-texts-you-when-the-pests-are-de.html>>.*

(Continued)

Primary Examiner — Mojtaba Tehrani

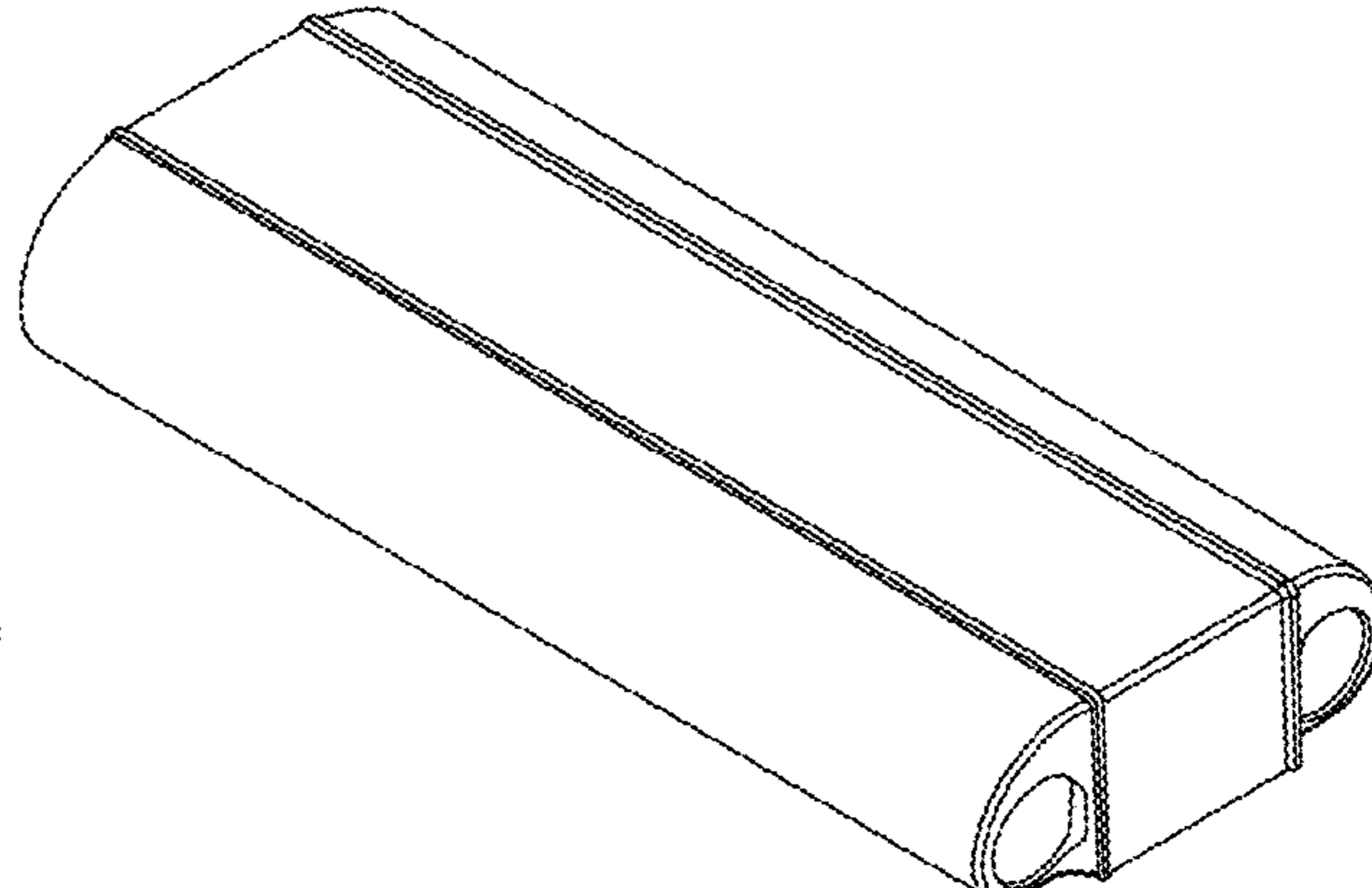
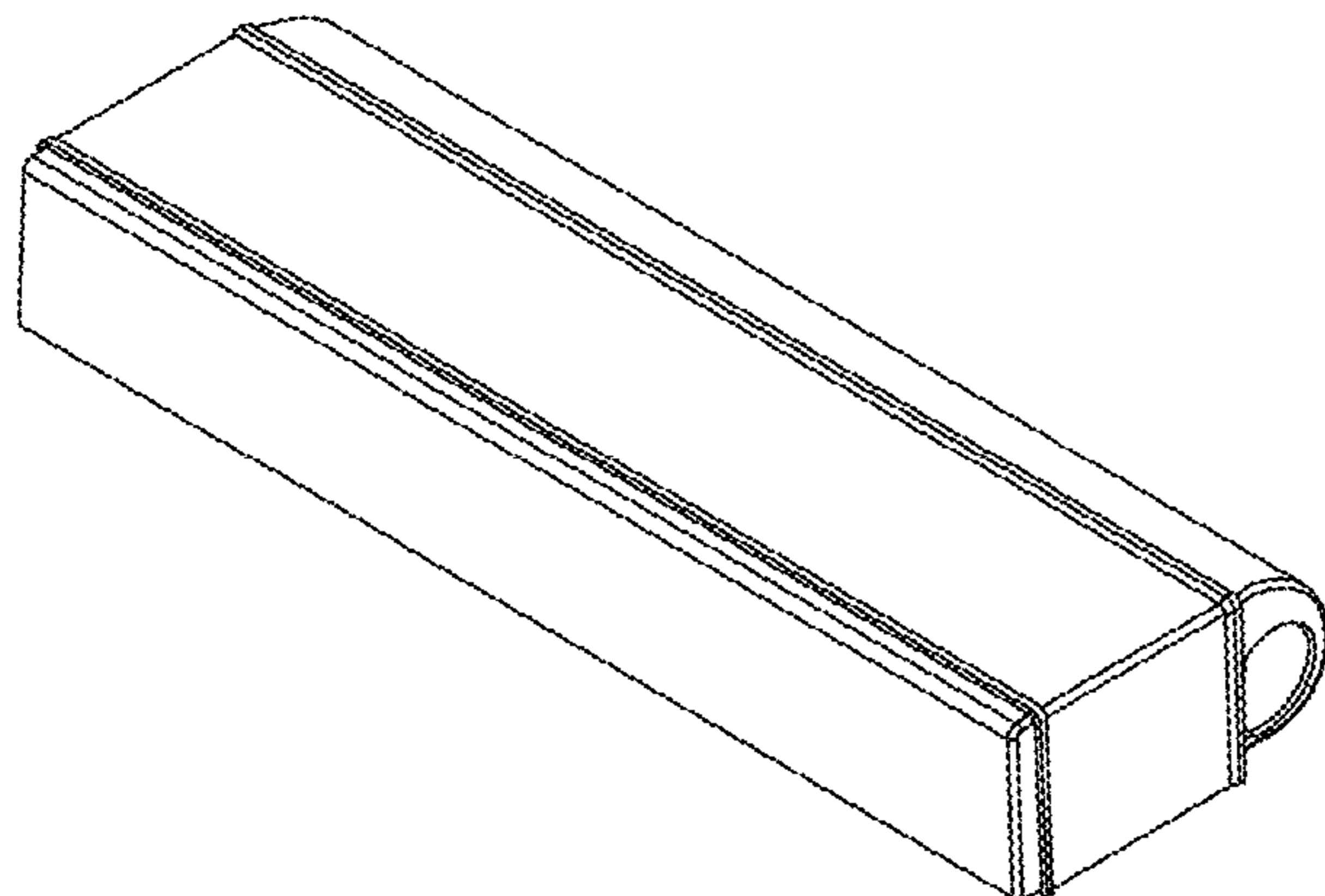
(57) **CLAIM**

The ornamental design for a rodent trap, as shown and described.

DESCRIPTION

- 1. Rodent trap
- 2. Rodent trap
- 1.1 : Perspective view;
- 1.2 : Top view;
- 1.3 : Bottom view;
- 1.4 : Side view;
- 1.5 : Side view;
- 1.6 : Side view;
- 1.7 : Side view;
- 2.1 : Perspective view;
- 2.2 : Top view;
- 2.3 : Bottom view;
- 2.4 : Side view;
- 2.5 : Side view;
- 2.6 : Side view;
- 2.7 : Side view;

1 Claim, 14 Drawing Sheets



(56)

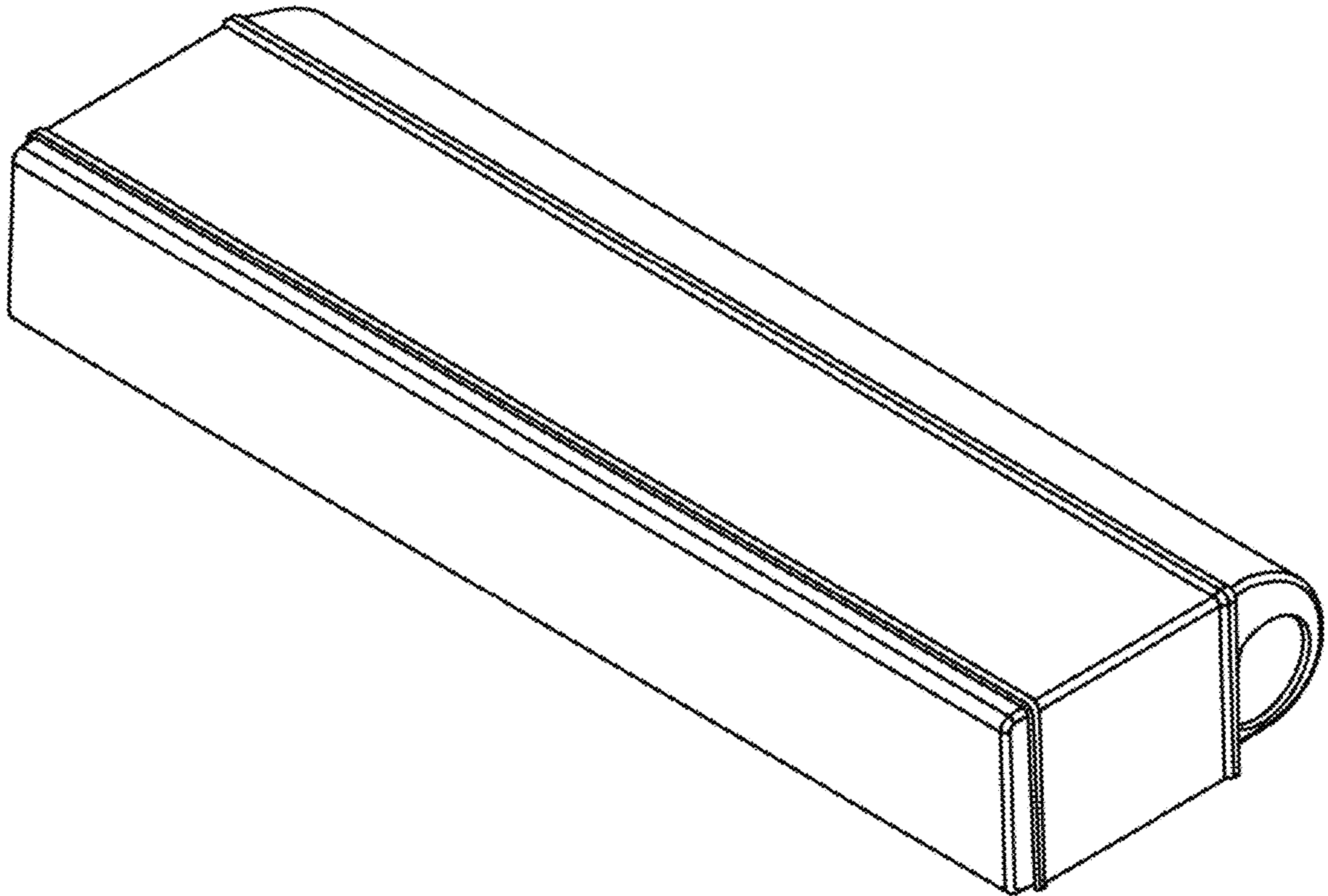
References Cited

OTHER PUBLICATIONS

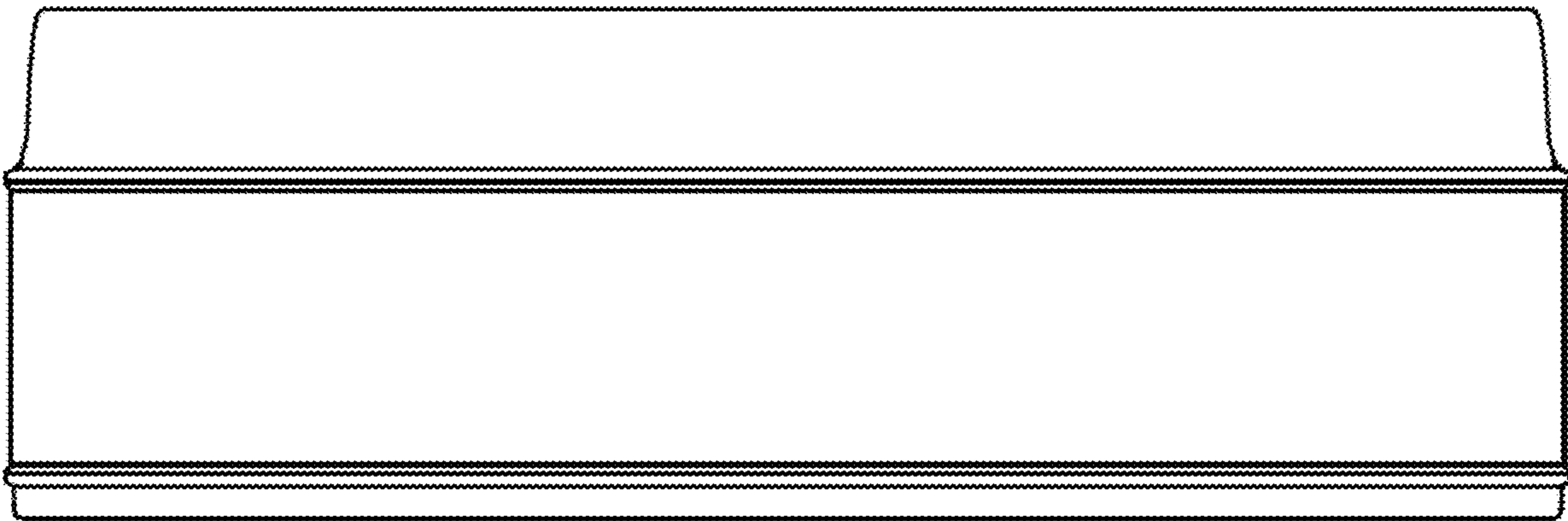
“Kat Sense Rat Traps for House—Heavy Duty Covered Double No Escape Humane Rat Trap Delivers an Instant Kill—Easy to Use & No Touch Rodent Release” [online]. Kat Sense. [Retrieved on Jun. 13, 2022]. Retrieved from the Internet: <<https://www.amazon.com/dp/B09QDZMC58/>>.*

* cited by examiner

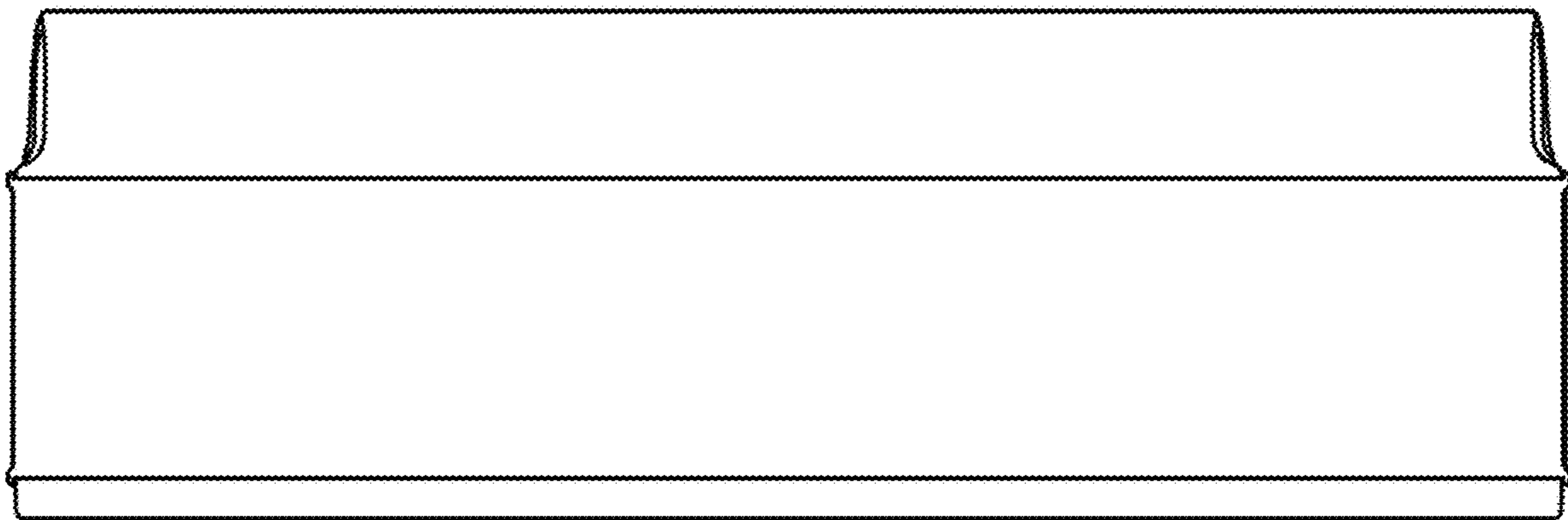
1.1



1.2



1.3



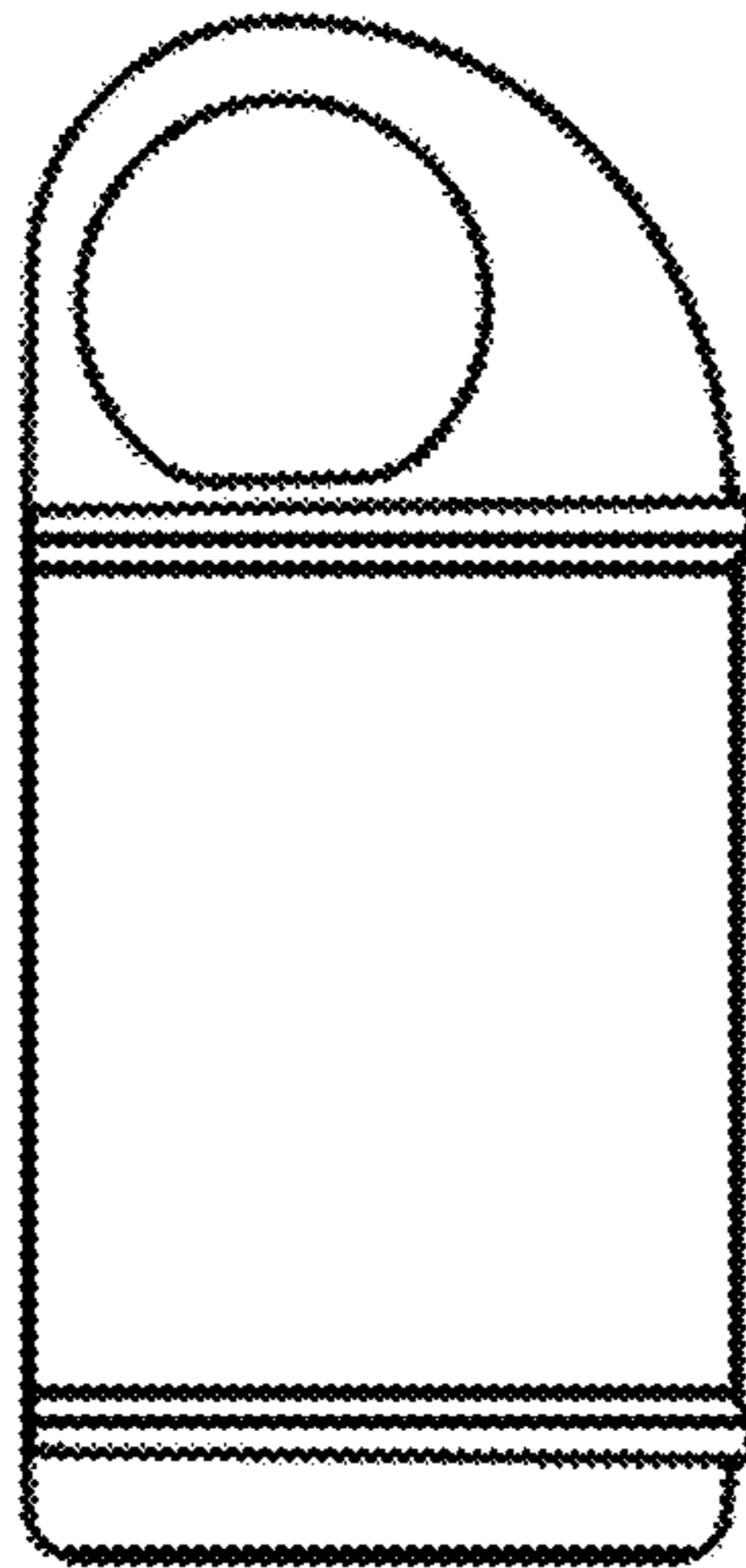
1.4



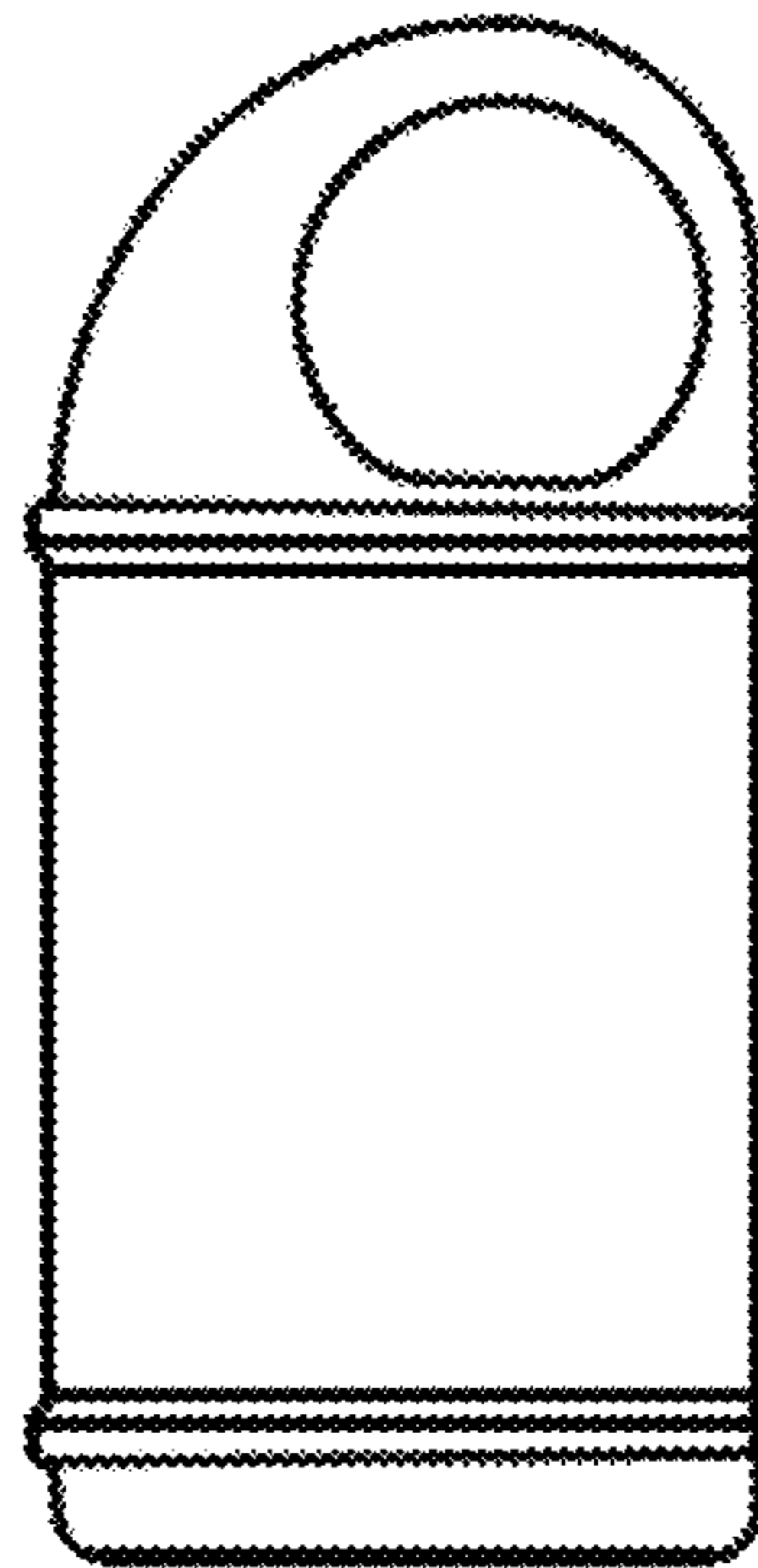
1.5



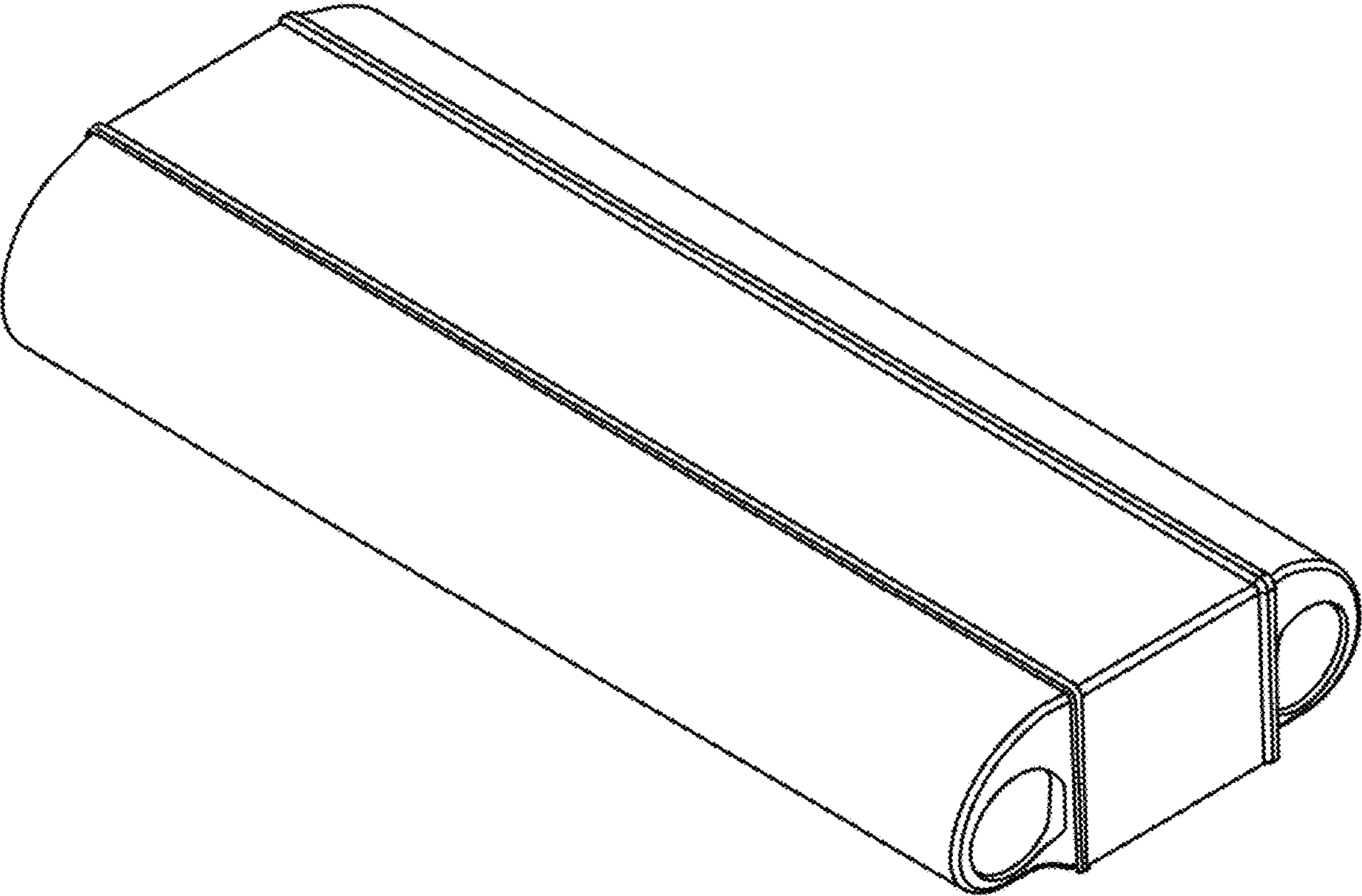
1.6



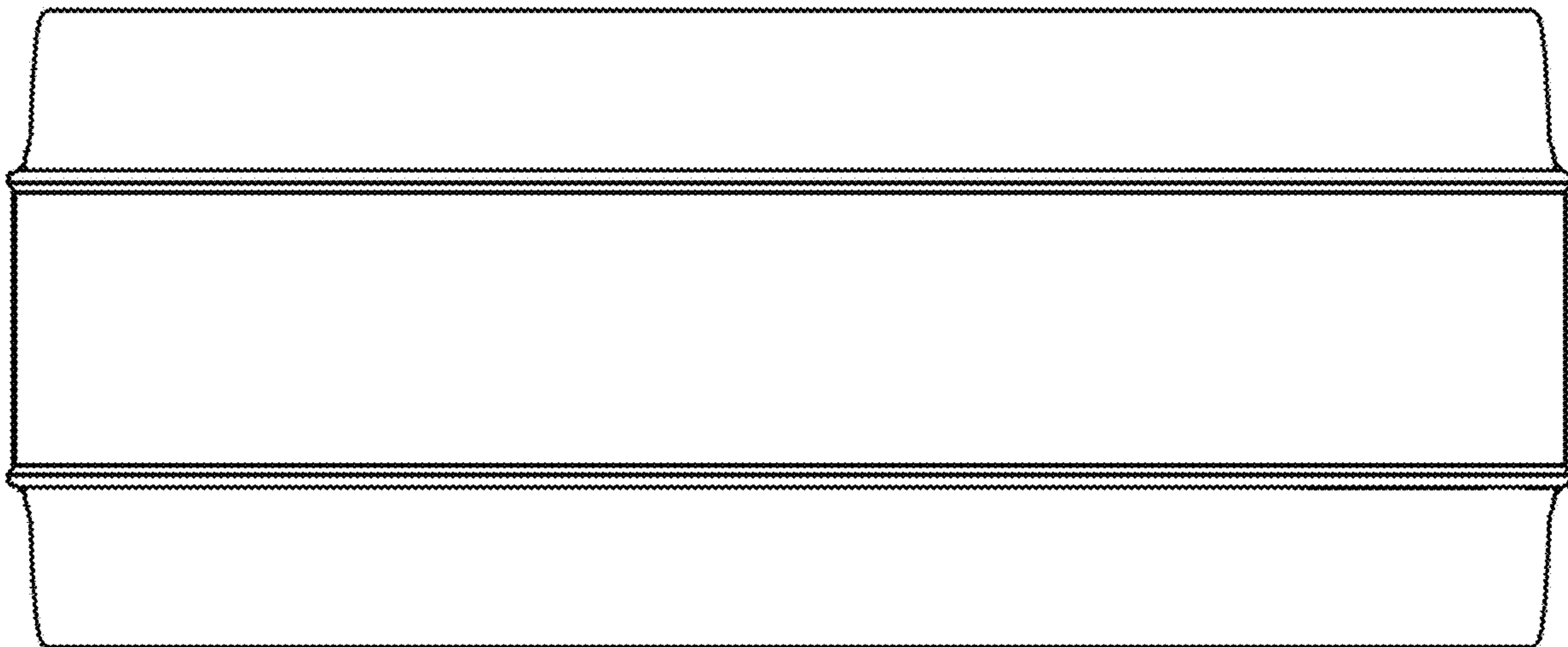
1.7



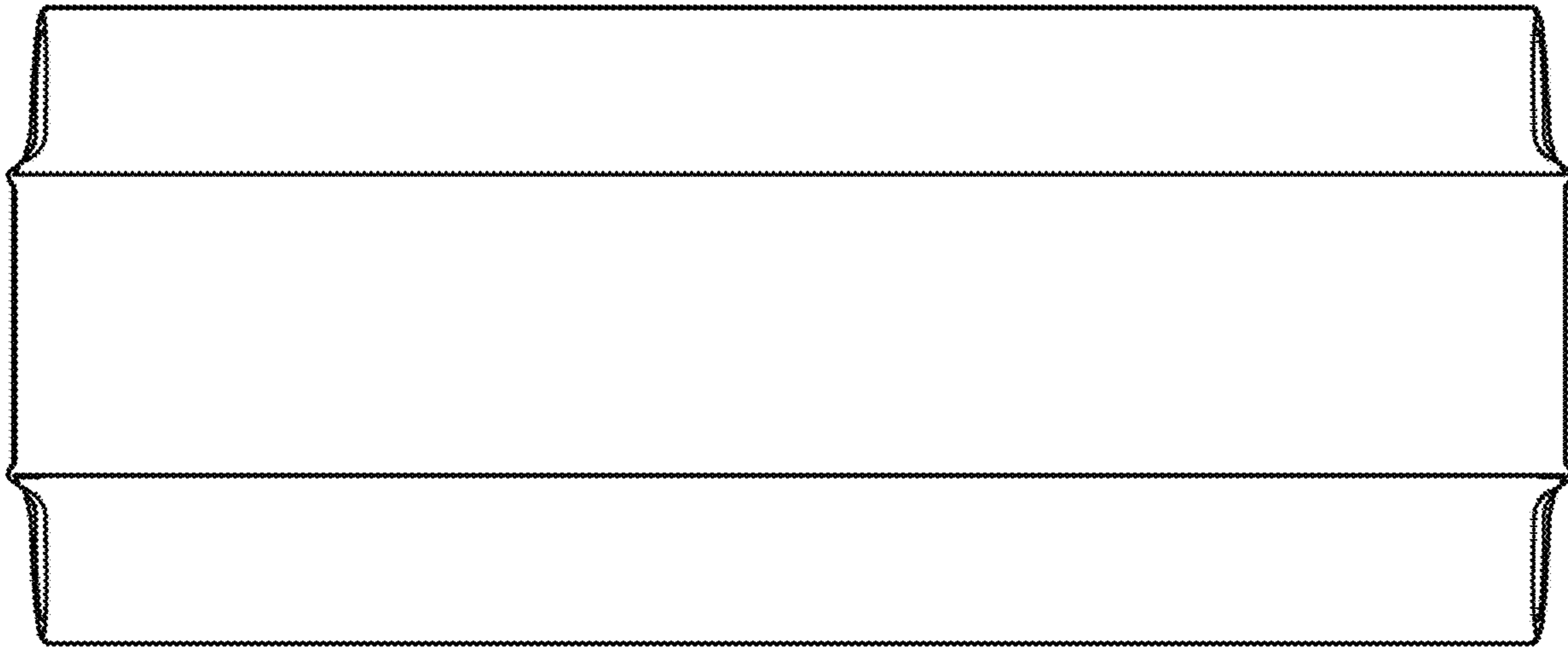
2.1



2.2



2.3



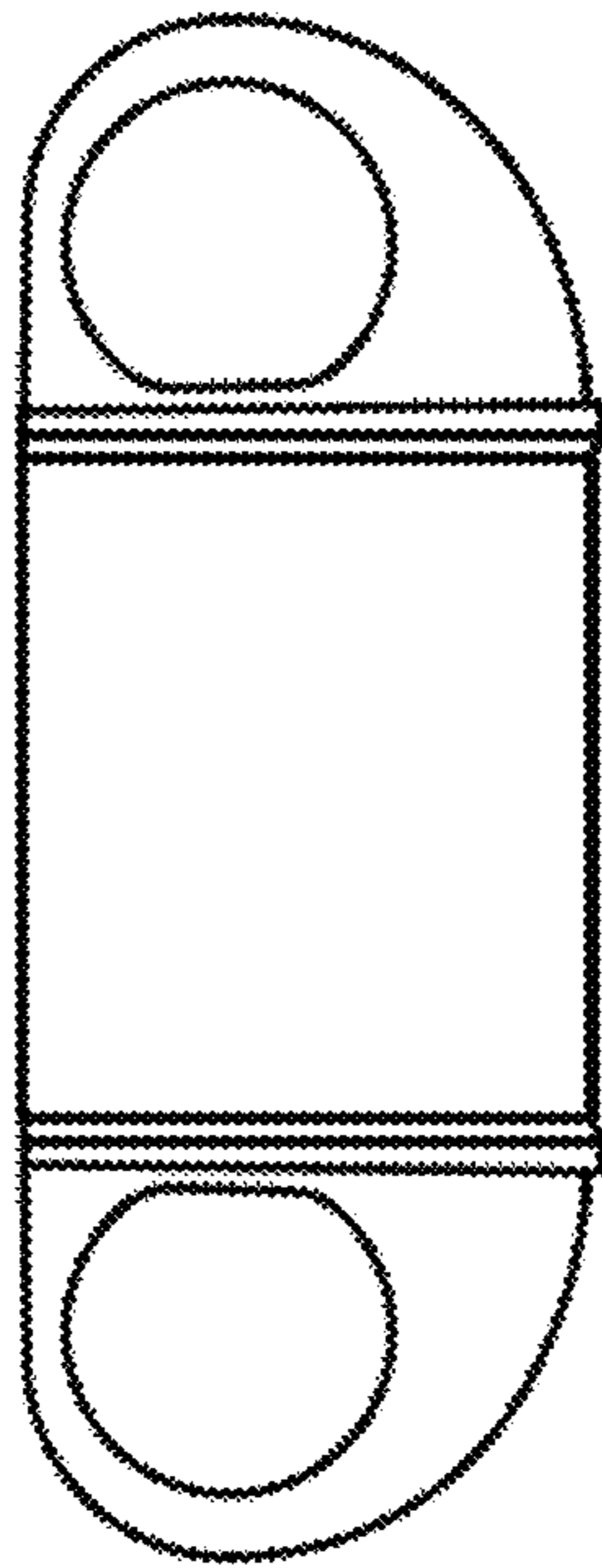
2.4



2.5



2.6



2.7

