

US00D960281S

(12) **United States Design Patent**  
**Tuller et al.**

(10) **Patent No.:** **US D960,281 S**

(45) **Date of Patent:** **\*\* Aug. 9, 2022**

(54) **AIM ENHANCING SYSTEM**

(71) Applicant: **LMD Applied Science, LLC,**  
Rochester, NY (US)

(72) Inventors: **Jeffrey D. Tuller,** Rochester, NY (US);  
**Brian L. Olmsted,** Spencerport, NY  
(US)

(73) Assignee: **LMD Applied Science, LLC,**  
Rochester, NY (US)

(\*\*) Term: **15 Years**

(21) Appl. No.: **29/708,504**

(22) Filed: **Oct. 7, 2019**

**Related U.S. Application Data**

(63) Continuation of application No. 29/612,128, filed on  
Jul. 28, 2017, now Pat. No. Des. 862,633, which is a  
continuation-in-part of application No. 15/482,165,  
filed on Apr. 7, 2017, now Pat. No. 10,161,716.

(51) **LOC (13) Cl.** ..... **22-01**

(52) **U.S. Cl.**  
USPC ..... **D22/109**

(58) **Field of Classification Search**  
USPC ..... D22/108-109; D21/573; D16/132  
CPC . F41G 1/35; F41G 11/003; F41G 1/00; F41G  
1/36; F41G 1/34; F41G 3/26  
See application file for complete search history.

(56) **References Cited**

**U.S. PATENT DOCUMENTS**

2,954,478	A	9/1960	Bayle	
5,194,007	A	3/1993	Marshall et al.	
5,903,996	A	5/1999	Morley	
6,666,689	B1	12/2003	Savage, Jr.	
6,985,313	B1	1/2006	Savage, Jr.	
6,985,913	B2	1/2006	Murata	
D729,339	S *	5/2015	Chavez	D22/109
D738,455	S *	9/2015	Homem de Mello Anderson	..... D22/109

D746,405	S *	12/2015	Nemeyer	.....	D22/109
D749,689	S *	2/2016	Cheng	.....	D22/109
D757,886	S *	5/2016	Cheng	.....	D22/109

(Continued)

**OTHER PUBLICATIONS**

Office Action for U.S. Appl. No. 16/227,570, dated Nov. 29, 2019,  
fuller, "Aim Enhancing System", 6 pages.

(Continued)

*Primary Examiner* — Michael A. Pratt

(74) *Attorney, Agent, or Firm* — Lee & Hayes, P.C.

(57) **CLAIM**

The ornamental design for an aim enhancing system, as  
shown and described.

**DESCRIPTION**

FIG. 1 is a right side perspective view of an aim enhancing  
system.

FIG. 2 is a left side perspective view of the aim enhancing  
system of FIG. 1.

FIG. 3 is a front elevation view of the aim enhancing system  
of FIG. 1.

FIG. 4 is a back elevation view of the aim enhancing system  
of FIG. 1.

FIG. 5 is a top side view of the aim enhancing system of  
FIG. 1.

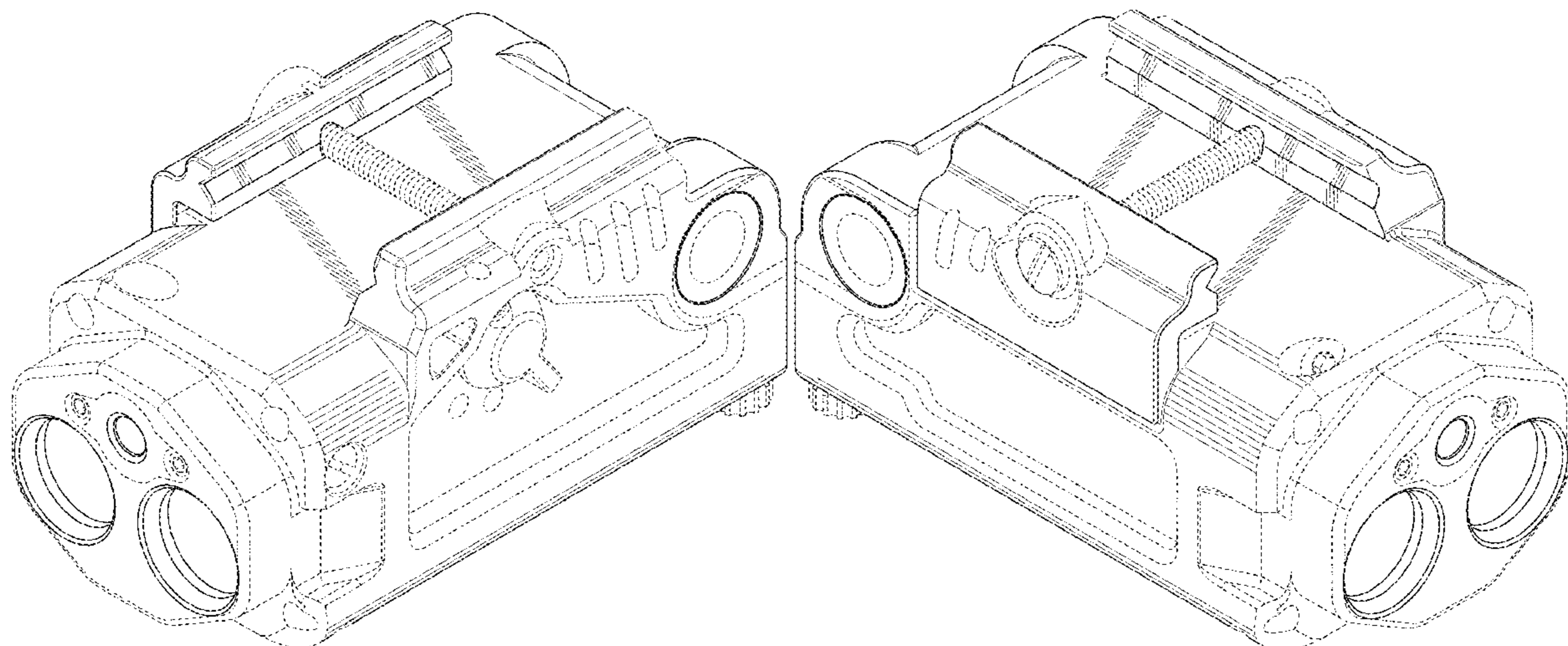
FIG. 6 is a bottom side view of the aim enhancing system of  
FIG. 1.

FIG. 7 is a right side view of the aim enhancing system of  
FIG. 1; and,

FIG. 8 is a left side view of the aim enhancing system of  
FIG. 1.

The broken lines form no part of the claimed design. The  
claimed design extends to the broken line boundaries but  
does not include the boundaries or the areas within the  
boundaries.

**1 Claim, 6 Drawing Sheets**



(56)

References Cited

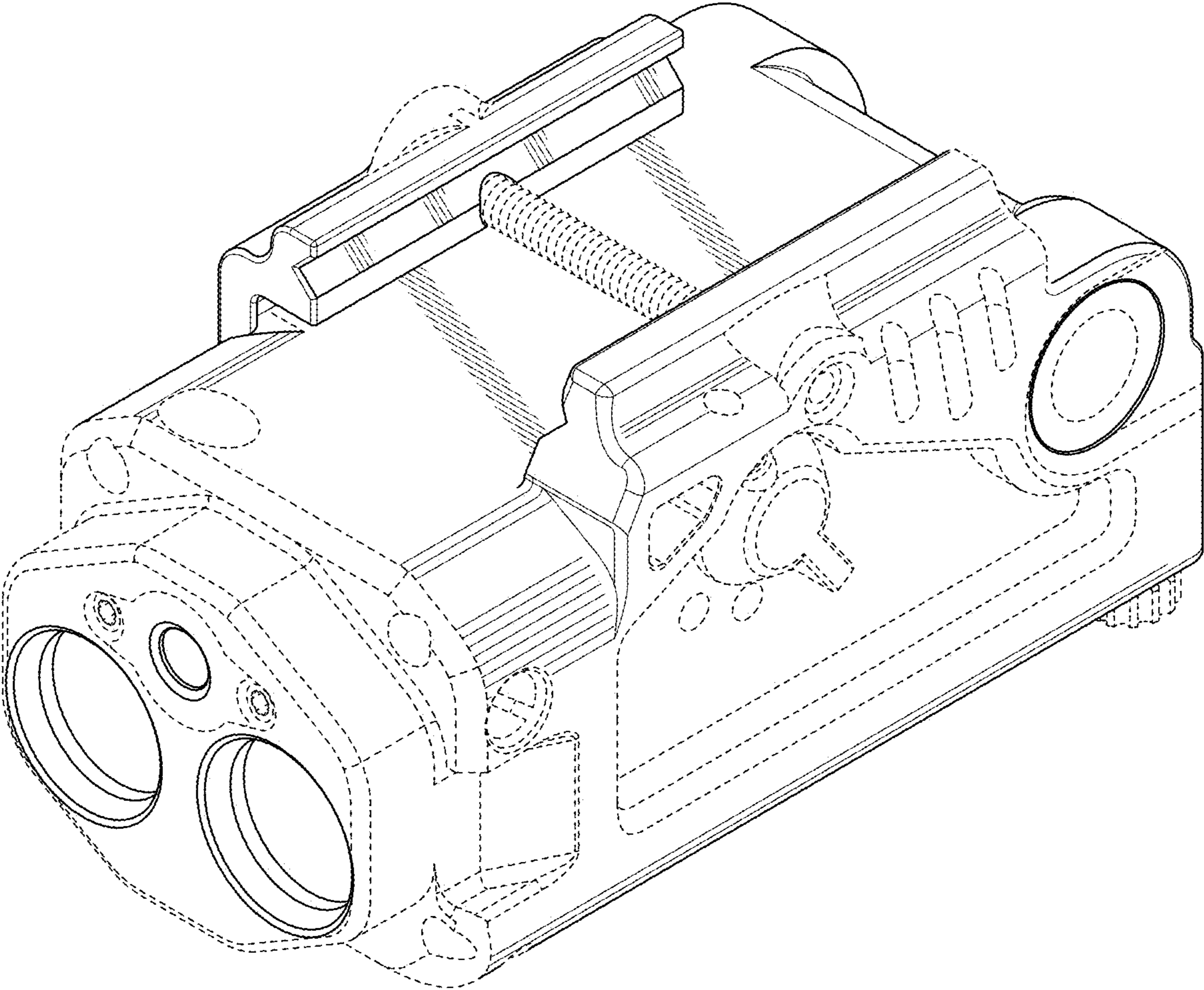
U.S. PATENT DOCUMENTS

D762,806 S \* 8/2016 Chavez ..... D22/109  
D763,399 S \* 8/2016 Anderson ..... D22/109  
9,447,955 B2 9/2016 Miller  
D776,783 S \* 1/2017 St. Phillips ..... D22/108  
D781,983 S \* 3/2017 Wells ..... D22/108  
9,658,031 B1 \* 5/2017 Hedeem ..... F41G 1/35  
9,859,680 B2 1/2018 Serbicki et al.  
D826,363 S \* 8/2018 Kowalczyk, Jr. .... D22/109  
10,161,716 B2 12/2018 Tuller et al.  
2004/0061957 A1 4/2004 Savage, Jr.  
2009/0116231 A1 5/2009 Miller  
2010/0164401 A1 7/2010 Matthews et al.  
2011/0162251 A1 \* 7/2011 Houde-Walter ..... F41G 1/35  
42/146  
2012/0268920 A1 10/2012 Matthews et al.  
2014/0007485 A1 1/2014 Castejon, Sr.  
2015/0171594 A1 6/2015 Serbicki et al.  
2015/0276352 A1 \* 10/2015 Chang ..... F41G 11/003  
42/114  
2018/0292169 A1 10/2018 Tuller et al.  
2019/0383580 A1 12/2019 Tuller et al.

OTHER PUBLICATIONS

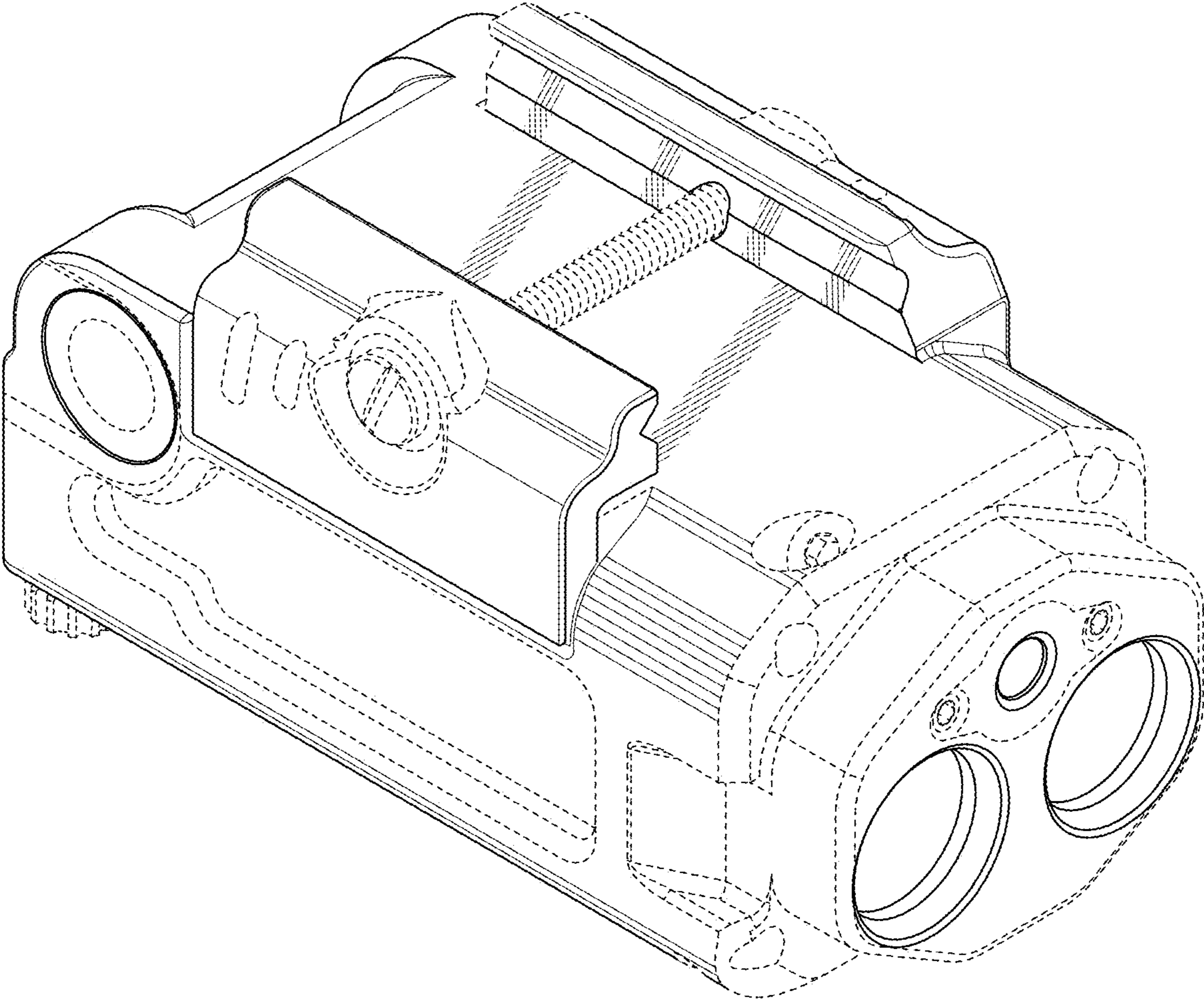
Office Action for U.S. Appl. No. 15/482,165, dated Feb. 26, 2018,  
Jefferey D. Tuller, "Aim Enhancing System", 7 pages.

\* cited by examiner

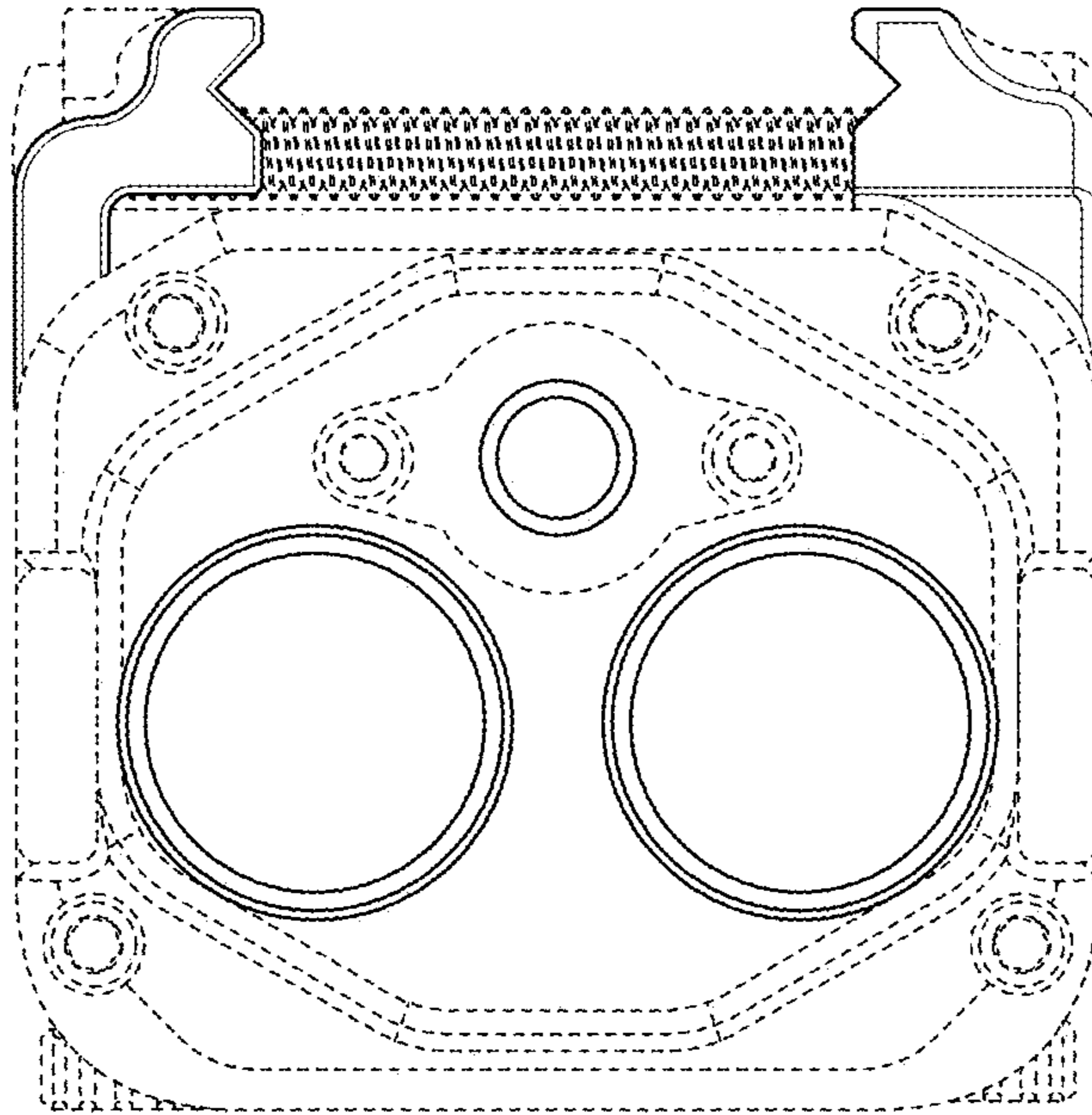


**FIG. 1**

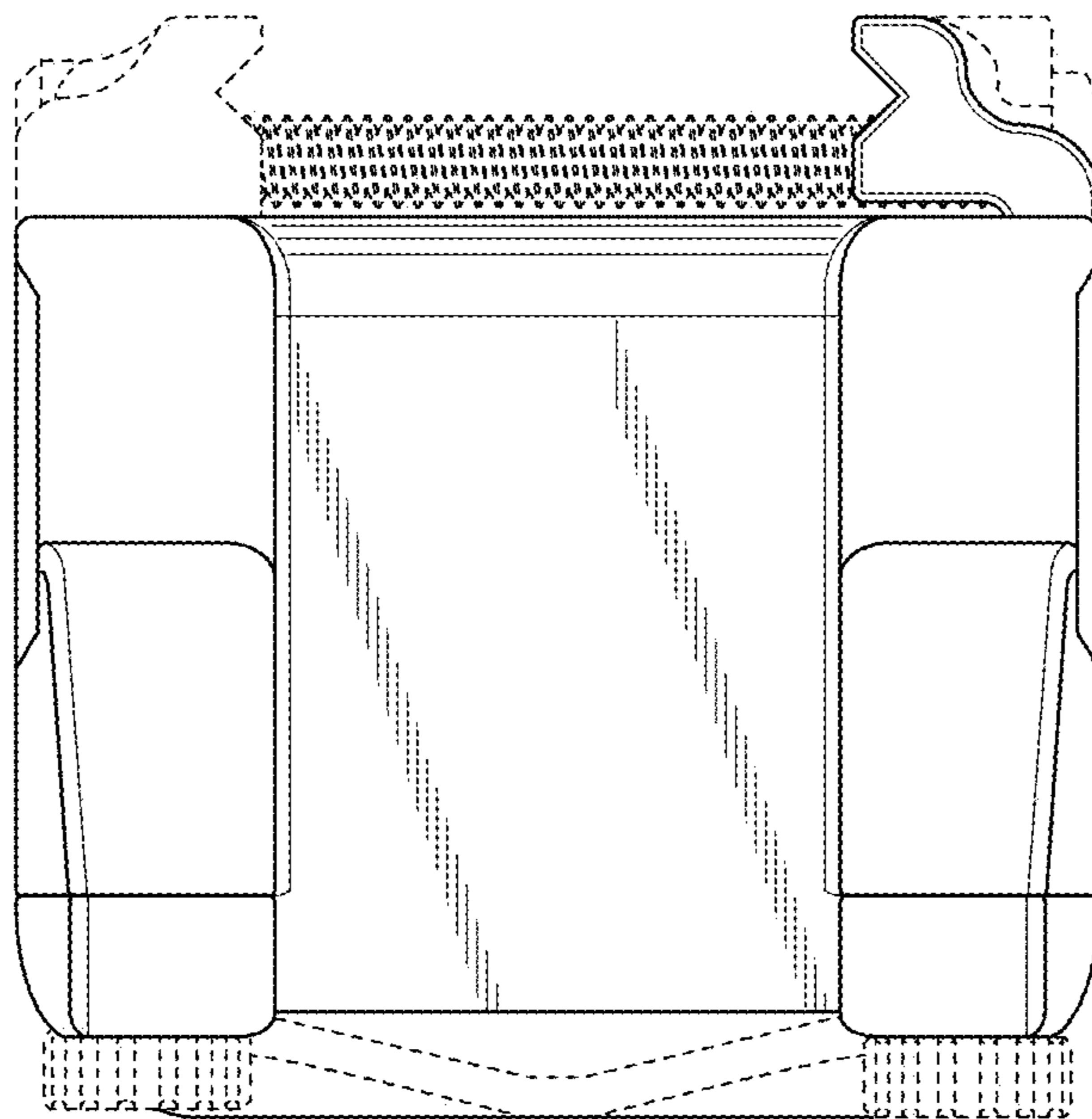




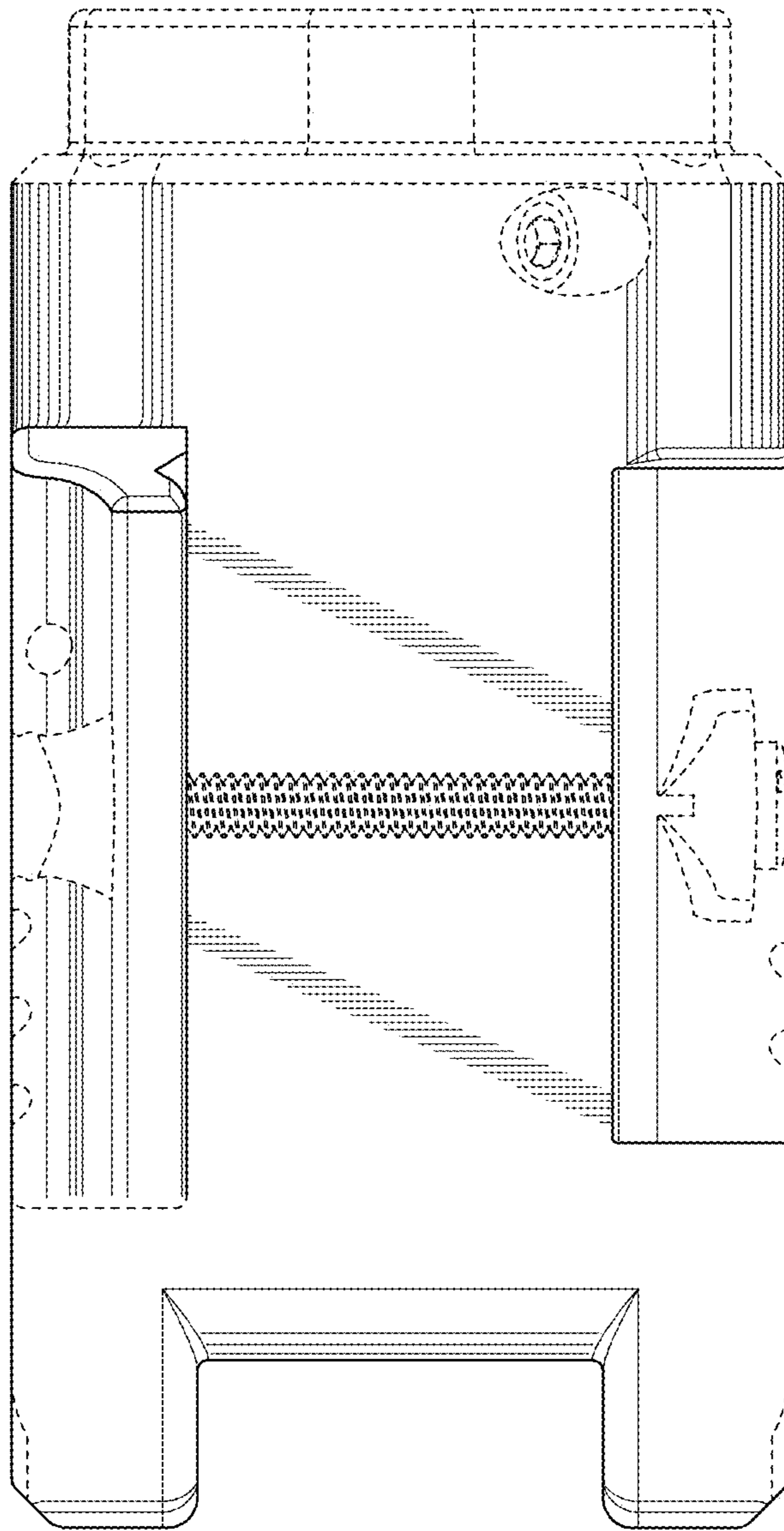
**FIG. 2**



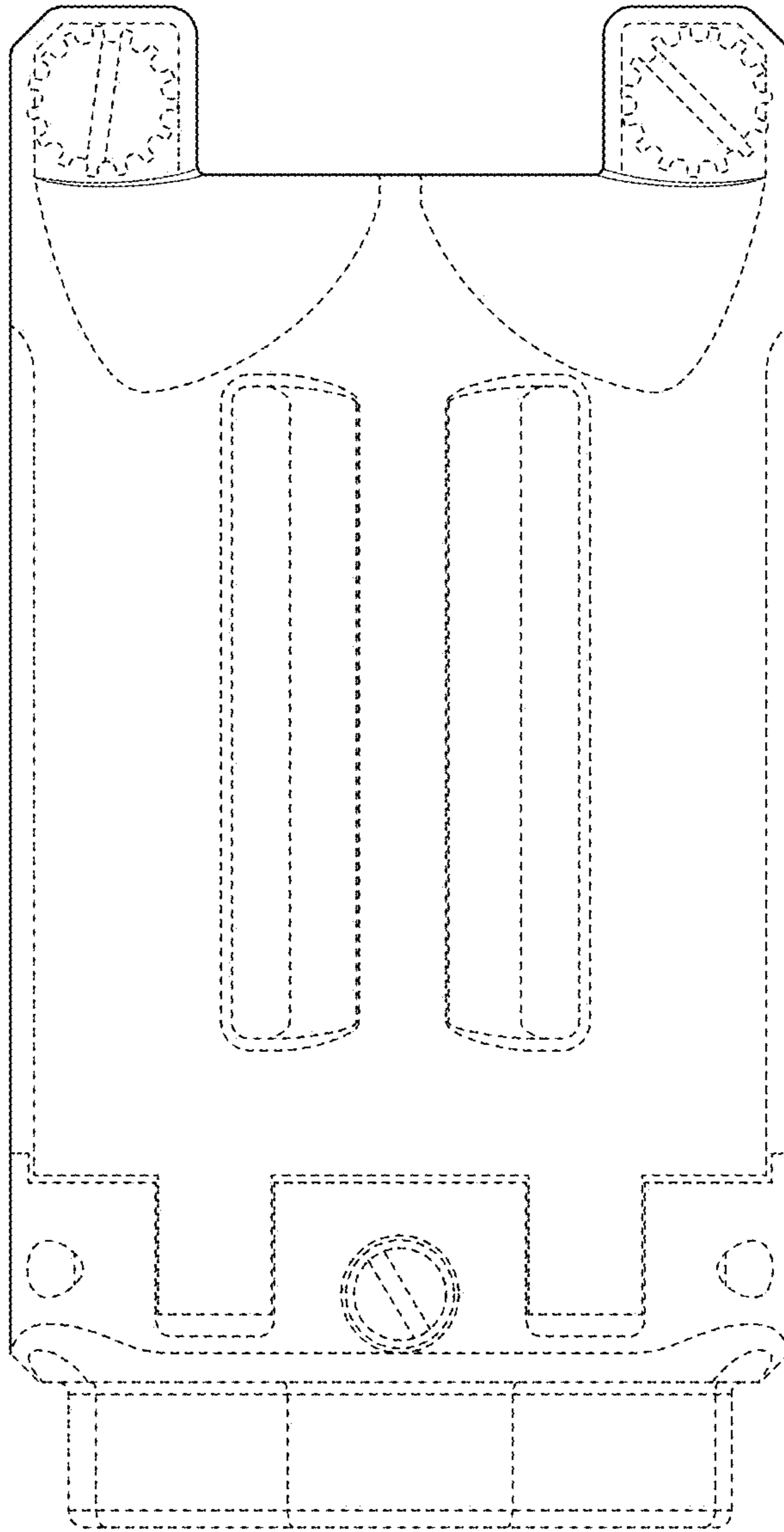
**FIG. 3**



**FIG. 4**

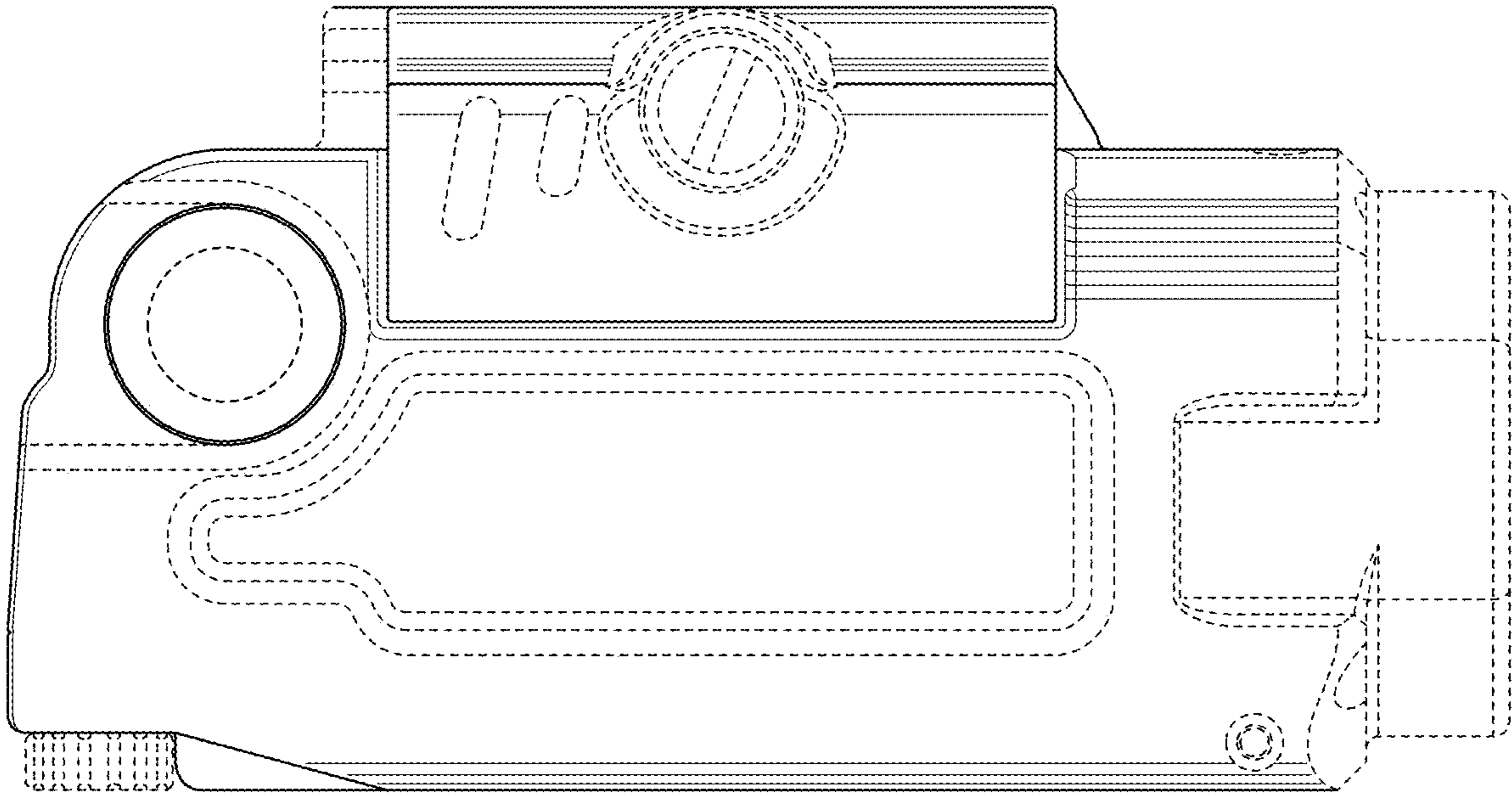


**FIG. 5**

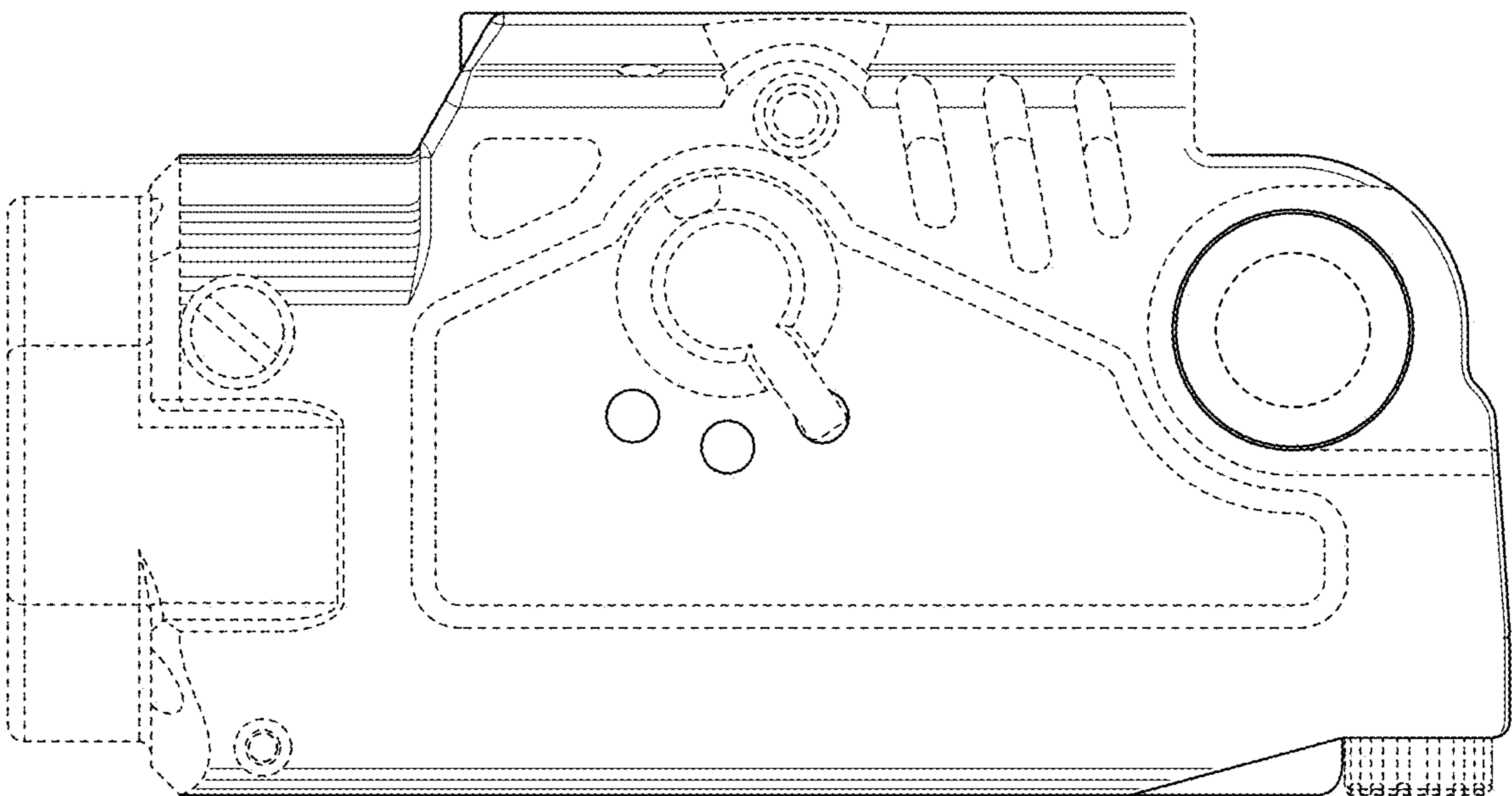


**FIG. 6**





**FIG. 7**



**FIG. 8**