

US00D960280S

(12) **United States Design Patent**  
**Roberts et al.**

(10) **Patent No.:** **US D960,280 S**  
(45) **Date of Patent:** **\*\* Aug. 9, 2022**

(54) **BIPOD**

4,903,425 A 2/1990 Harris  
D346,636 S 5/1994 Bechtel  
5,692,654 A 12/1997 Bell  
5,711,103 A 1/1998 Keng  
(Continued)

(71) Applicant: **Magpul Industries Corp.**, Austin, TX  
(US)

(72) Inventors: **Timothy Eric Roberts**, Broomfield, CO  
(US); **Michael T. Mayberry**, Denver,  
CO (US)

(73) Assignee: **Magpul Industries Corp.**, Austin, TX  
(US)

(\*\*) Term: **15 Years**

(21) Appl. No.: **29/817,448**

(22) Filed: **Dec. 1, 2021**

**Related U.S. Application Data**

(62) Division of application No. 29/719,892, filed on Jan. 8, 2020, now Pat. No. Des. 943,049, which is a division of application No. 29/630,775, filed on Dec. 22, 2017, now Pat. No. Des. 875,871.

(51) **LOC (13) Cl.** ..... **22-01**

(52) **U.S. Cl.**  
USPC ..... **D22/108**

(58) **Field of Classification Search**  
USPC ..... D22/108, 109, 110  
CPC ..... F41A 23/04; F41A 23/08; F41A 23/10  
See application file for complete search history.

(56) **References Cited**

**U.S. PATENT DOCUMENTS**

3,327,422 A 6/1967 Harris  
4,397,112 A 8/1983 York  
4,470,216 A 9/1984 Harris  
4,625,620 A 12/1986 Harris  
4,641,451 A 2/1987 Harris

**FOREIGN PATENT DOCUMENTS**

EP 1769214 A1 4/2007  
EP 2880352 A1 6/2015  
(Continued)

**OTHER PUBLICATIONS**

US Tactical Supply website, Magpul Bipod, Earliest date on Internet Archive Jan. 26, 2021, [site visited Mar. 28, 2022], Available on the Internet URL [https://web.archive.org/web/20200801000000\\*/https://ustacticalsupply.com/magpulbipod.aspx](https://web.archive.org/web/20200801000000*/https://ustacticalsupply.com/magpulbipod.aspx) (Year: 2021).\*

(Continued)

*Primary Examiner* — S. Bryan Reinholdt, Jr.

(74) *Attorney, Agent, or Firm* — Neugeboren O'Dowd PC

(57) **CLAIM**

The ornamental design for a bipod, as shown and described.

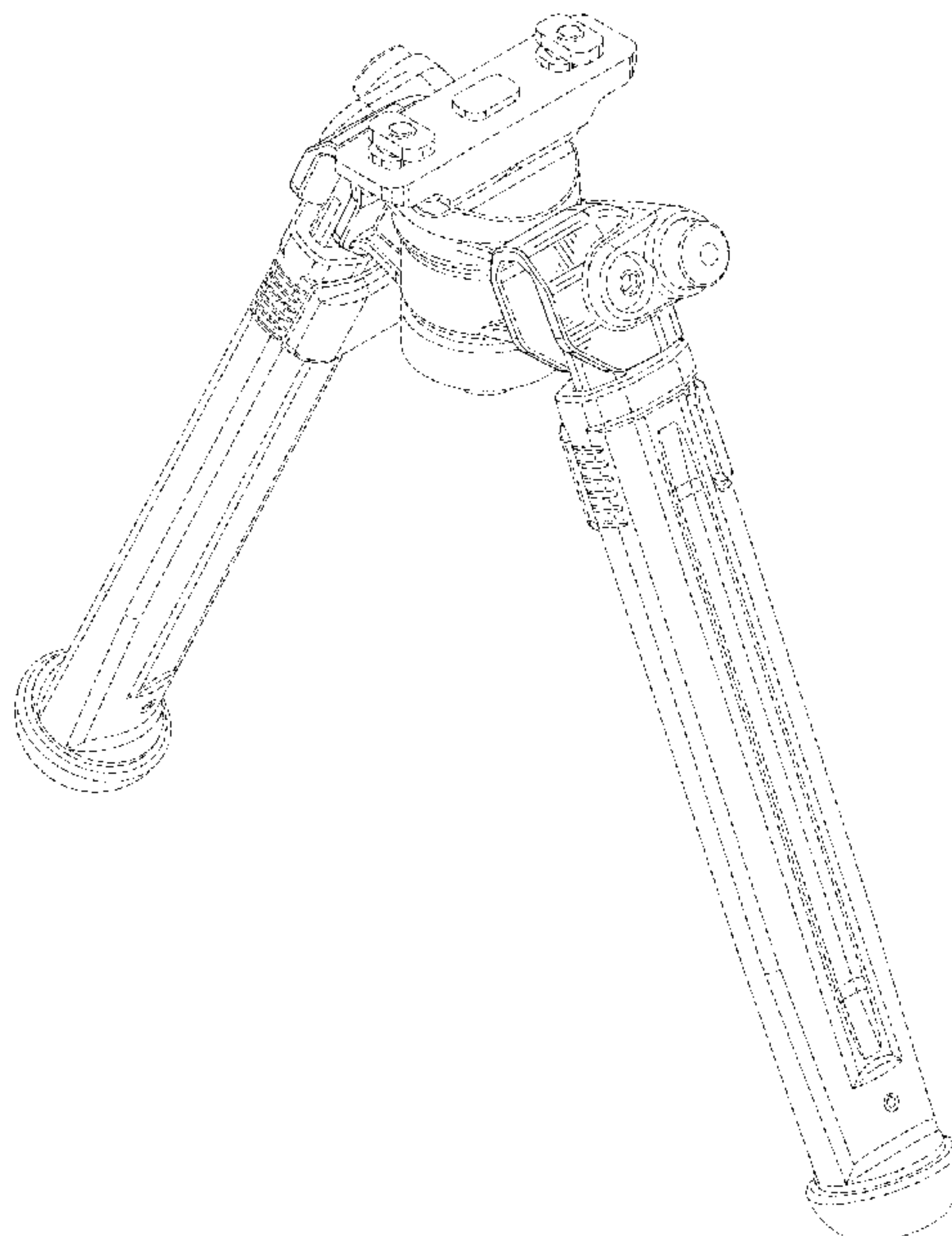
**DESCRIPTION**

FIG. 1 is a left, top, rear perspective view of a bipod showing our new design;

FIG. 2 is a rear elevation view of the bipod of FIG. 1;  
FIG. 3 is a front elevation view of the bipod of FIG. 1;  
FIG. 4 is a left side elevation view of the bipod of FIG. 1;  
FIG. 5 is a right side elevation view of the bipod of FIG. 1;  
FIG. 6 is a top view of the bipod of FIG. 1; and,  
FIG. 7 is a bottom view of the bipod of FIG. 1.

The intermittent lines depict shading and contour. The features drawn in broken line in all figures are portions of the bipod that form no part of the claimed design.

**1 Claim, 5 Drawing Sheets**



(56)

References Cited

U.S. PATENT DOCUMENTS

5,852,892 A 12/1998 Bilgeri et al.  
 6,289,622 B1 9/2001 Desch, Jr. et al.  
 6,539,660 B1 4/2003 Yeargin  
 6,629,380 B2 10/2003 Yeargin  
 6,763,627 B1 7/2004 Kaempe  
 6,829,857 B1 12/2004 Houtsma  
 7,032,494 B2 4/2006 Wygant  
 7,121,034 B2 10/2006 Keng  
 7,143,986 B1 12/2006 Austin et al.  
 7,197,844 B2 4/2007 Benson  
 7,222,451 B2 5/2007 Keng et al.  
 7,243,455 B2 7/2007 Jurk  
 7,421,815 B1 9/2008 Moody et al.  
 7,430,828 B2 10/2008 Munst  
 7,431,247 B2 10/2008 Bobro  
 7,478,496 B2 1/2009 Bender  
 7,571,563 B2 8/2009 Peterson  
 7,614,174 B1 11/2009 Beltz  
 7,631,455 B2 12/2009 Keng et al.  
 7,676,977 B1 3/2010 Cahill et al.  
 7,770,320 B1 8/2010 Bartak  
 7,779,572 B2 8/2010 Potterfield et al.  
 7,793,454 B1 9/2010 Beltz  
 7,823,316 B2 11/2010 Storch et al.  
 7,845,267 B2 12/2010 Potterfield et al.  
 7,856,748 B1 12/2010 Mertz  
 7,954,272 B2 6/2011 Potterfield et al.  
 8,104,213 B2 1/2012 Keng et al.  
 8,104,214 B2 1/2012 Boord  
 8,291,633 B1 10/2012 Hass et al.  
 8,316,570 B2 11/2012 Potterfield et al.  
 8,327,570 B2 12/2012 Potterfield et al.  
 8,341,864 B2 1/2013 Moody et al.  
 8,341,865 B2 1/2013 Moody et al.  
 8,341,866 B1 1/2013 Gaddini et al.  
 8,359,780 B2 1/2013 Peterson et al.  
 8,402,684 B1 3/2013 Beltz  
 8,418,394 B2 4/2013 Keng  
 8,443,540 B2 5/2013 Poling  
 8,448,369 B2 5/2013 Hinds, Jr.  
 8,458,946 B1 6/2013 Pintsch  
 8,464,628 B2 6/2013 Potterfield et al.  
 8,496,212 B2 7/2013 Keng et al.  
 8,567,106 B2 10/2013 Chvala et al.  
 8,578,647 B2 11/2013 Storch et al.  
 8,607,491 B2 12/2013 Moody et al.  
 8,863,430 B2 10/2014 Poling  
 8,869,442 B2 10/2014 Moody et al.  
 8,894,024 B2 11/2014 Deros  
 8,904,693 B1 12/2014 Beltz  
 9,121,665 B2 9/2015 Hinds  
 9,255,751 B1 2/2016 Beltz  
 9,303,940 B2 4/2016 Bonelli et al.  
 9,354,012 B2 5/2016 Faifer et al.  
 D758,521 S 6/2016 Ding et al.  
 D758,522 S 6/2016 Ding et al.  
 9,377,274 B2 6/2016 Kincel  
 9,410,762 B2 8/2016 Ballard  
 9,435,601 B2 9/2016 Poling  
 9,470,468 B2 10/2016 McGinty  
 D790,652 S 6/2017 Gaddini  
 10,139,183 B1 11/2018 Liu  
 10,161,706 B2 12/2018 Roberts et al.  
 D875,871 S 2/2020 Roberts et al.  
 D898,156 S 10/2020 Roberts  
 D935,547 S \* 11/2021 Ye ..... D22/108  
 D943,049 S 2/2022 Roberts et al.  
 2003/0042388 A1 3/2003 Peterson  
 2005/0242250 A1 11/2005 Keng et al.  
 2008/0295379 A1 12/2008 Potterfield et al.  
 2009/0000175 A1 1/2009 Potterfield et al.  
 2009/0045304 A1 2/2009 Faifer  
 2011/0036236 A1 2/2011 Potterfield et al.  
 2011/0126444 A1 6/2011 Keng et al.  
 2011/0296734 A1 12/2011 Troy

2013/0036647 A1 2/2013 Chvala  
 2013/0174463 A1 7/2013 Hinds  
 2014/0115940 A1 5/2014 Bonelli et al.  
 2014/0130393 A1 5/2014 Well  
 2014/0190059 A1 7/2014 Ballard  
 2015/0135577 A1 5/2015 Poling  
 2015/0362278 A1 12/2015 Genchel et al.  
 2016/0116245 A1 4/2016 Ravnaas  
 2016/0209172 A1 7/2016 Trotabas  
 2016/0238336 A1 8/2016 Bartak  
 2016/0273863 A1 9/2016 Hayes  
 2018/0058794 A1 3/2018 Scalf  
 2018/0180374 A1 6/2018 Roberts et al.  
 2018/0216907 A1 8/2018 Roberts et al.  
 2018/0259287 A1 9/2018 Palu et al.  
 2022/0042760 A1 \* 2/2022 Roberts ..... F41C 23/16  
 2022/0082346 A1 \* 3/2022 Roberts ..... F41A 23/10

FOREIGN PATENT DOCUMENTS

EP 2956705 A1 12/2015  
 HK 1801236-0001 \* 11/2018  
 WO 2013132291 A1 9/2013  
 WO 2016161059 A1 10/2016

OTHER PUBLICATIONS

ACCU-TAC, "SR-5", Retrieved from URL: <http://www.accu-tac.com/product/sr-5-bipod/>, Known to exist as early as Sep. 26, 2016, 3 pages.  
 Amazon website, Magpul Rifle Bipod, Earliest comment date Oct. 23, 2018, [site visited Aug. 16, 2020], Available on the Internet URL <https://www.amazon.com/Magpul-Rifle-Bipod-Picatinny-Black/dp/B07DMMBBXY5>, 1 pages.  
 B&T Industries, LLC, "Atlas Bipods", Retrieved from [http://www.accu-shot.com/Atlas\\_Bipods.php](http://www.accu-shot.com/Atlas_Bipods.php), Known to exist as early as Sep. 26, 2016, 1 page.  
 Battenfeld Technologies, Inc., "Caldwell Shooting Bipod", Retrieved from URL: <https://www.btibrands.com/product/shooting-bipod/>, Known to exist as early as Sep. 26, 2016, 2 pages.  
 Blackhawk, "Sportster Traversetrack Bipod", Retrieved from URL: <https://blackhawk.com/products/long-gun-accessories/long-gun-accessories/-bipods/sportster-traversetrack-bipod>, Known to exist as early as Sep. 26, 2016, 7 pages.  
 Bobro Engineering, "Bi-Pod Type 3-BLAC", Retrieved from URL: <http://www.bobroengineering.com/view/product/1/>, Known to exist as early as Sep. 26, 2016, 2 pages.  
 boltcarrier.com, "Knight's Armament (KAC) KAC Bi Pod Assembly", Retrieved from URL: <https://www.boltcarrier.com/product/kac-bi-pod/>. Known to exist as early as Sep. 26, 2016, 1 page.  
 Brownells, Inc., "GPS, LLC.—Military Model Grip Pod Picatinny Mount", Retrieved from URL: <https://www.brownells.com/shooting-accessories/bipods-monopods-amp-accessories/bipod-accessories/grip-pod-gps-02-military-model-prod244>. Known to exist as early as Sep. 26, 2016, 2 pages.  
 CAA, "NBPS Bottom Rail Mounting Short Bipod Picatinny", Retrieved from URL: <https://usa.caagearup.com/nbps-bottom-rail-mounting-short-bipod-picatinny>. Known to exist as early as Sep. 26, 2016, 4 pages.  
 Examination Report No. 1 received for Australian Patent Application Serial No. 2017382340 dated Sep. 30, 2020, 5 pages.  
 Extended European Search Report received for European Patent Application Serial No. 17883801.7 dated Jul. 15, 2020, 8 pages.  
 Fab Defense, "H-Pod", Retrieved from URL: <https://www.fab-defense.com/en/category-bipods/id-774/harris-bipod-tiltin-g-rotating-picatinny-adaptor.html>, Known to exist as early as Sep. 26, 2016, 1 page.  
 Fidelis Firearms, "Parker-Hale Bipods", Retrieved from URL: <http://fidelisfirearms.com/bipods/>, Known to exist as early as Sep. 26, 2016, 1 page.  
 Final Office Action received for U.S. Appl. No. 29/719,892 dated Feb. 24, 2021, 16 pages.



(56)

**References Cited**

## OTHER PUBLICATIONS

GG&G, "Standard XDS Bipod", Retrieved from <http://www.gggaz.com/standard-xds-swivel-bipod.html>, Known to exist as early as Sep. 26, 2016, 4 pages.

Harris Bipods, "Harris Bipods and Adapters", Retrieved from URL: <http://www.harrisbipods.com/>, Known to exist as early as Sep. 26, 2016, 8 pages.

hkparts.net, "HK German Rifle All Steel Bipod—for use With the HK Wide Forearm", Retrieved from URL: <http://www.hkparts.net/shop/pc/HK-German-All-Steel-Bipod-G3-91-93-33-p215-.htm>, Known to exist as early as Sep. 26, 2016, 2 page.

International Search Report and Written Opinion received for International PCT Application Serial No. PCT/US2017/068136 dated Apr. 25, 2018, 13 pages.

KFS Industries, Inc., "S7 Bipods", Retrieved from URL: <http://s7bipod.com/>, Known to exist as early as Sep. 26, 2016, 2 pages.

KFS Industries, Inc., "Versa-Pod", Retrieved from URL: <http://stores.versapod.com/>, Known to exist as early as Sep. 26, 2016, 2 pages.

Leapers, Inc., "Bipods and Shooting Stands", Retrieved from URL: <http://www.leapers.com/index.php?mitem=bipod&mtrack=m>, Known to exist as early as Sep. 26, 2016, 1 page.

Midwest Gun Works, Inc., "SAKO TRG 22/42 Bipod", Retrieved from URL: <https://www.midwestgunworks.com/page/mgwi/prod/S5740495?>, Known to exist as early as Sep. 26, 2016, 2 pages.

Military Advantage, "M249 Squad Automatic Weapon", Retrieved from URL: <https://www.military.com/equipment/m249-squad-automatic-weapon>, Known to exist as early as Sep. 26, 2016, 2 pages.

Mystic Precision, "MPOD", Retrieved from URL: <http://mysticprecision.com/mpod/>, Known to exist as early as Sep. 26, 2016, 3 pages.

Non-Final Office Action received for U.S. Appl. No. 29/719,892 dated Sep. 4, 2020, 88 pages.

Notice of Allowance received for Taiwanese Design Patent Application Serial No. 107303505 dated Jan. 7, 2019, 5 pages.

Notice of Allowance received for U.S. Appl. No. 29/719,892 dated Sep. 2, 2021, 39 pages.

Office Action received for Japanese Patent Application Serial No. 2018-013701 dated Dec. 12, 2018, 2 pages.

Response to Office Action Received for Japanese Patent Application Serial No. 2018-013701 dated Jan. 31, 2019, 3 pages.

Sarco, Inc., "M60 US GI Bipod", Retrieved from URL: <http://www.e-sarcoinc.com/m60bipod.aspx>, Known to exist as early as Sep. 26, 2016, 2 pages.

The Mako Group, "Tactical Vertical Foregrip With Integrated Adjustable Bipod-GEN 2-T-PODG2QR", Retrieved from URL: <https://www.themakogroup.com/foregrips/tactical-vertical-foregrip-with-in-tegrated-adjustable-bipod-gen-2-t-podg2qr.html>. Known to exist as early as Sep. 26, 2016, 4 pages.

The Mako Group, "Tavor Quick Deployment Bipod", Retrieved from URL: <https://www.themakogroup.com/tavor-quick-deployment-bipod-4462.html>. Known to exist as early as Sep. 26, 2016, 3 pages.

Tiptop Bipod, "Tiptop EZ Pivot & Pan Rifle Bipod 6-9: Sling Stud Mount: Extendable, Folding, With Sling-Attached Hole PN# S7-74667", Retrieved from URL: <https://www.amazon.com/Tiptop%C2%AE-Pivot-Rifle-Bipod-Sling-attached-/dp/B00QJ67A1Q>, Known to exist as early as Sep. 26, 2016, 8 pages.

Vanguard, "Equalizer Pro 2", Retrieved from URL: [https://www.vanguardworld.us/hunting\\_us/products/support-systems/equalize-r-pro-2.html#go-sectionTop](https://www.vanguardworld.us/hunting_us/products/support-systems/equalize-r-pro-2.html#go-sectionTop), Known to exist as early as Sep. 26, 2016, 5 pages.

Versa Pod, "150-051 Versa-Pod Model 51 Bipod 50 Series Gun Rest With Pan Tilt & Lock Controls 7 to 9 and Rubber Feet", Retrieved from <https://www.amazon.com/150-051-Versa-Pod-Model-Controls-Rubber/dp/B000FAB-33I>, Known to exist as early as Sep. 26, 2016, 6 pages.

\* cited by examiner

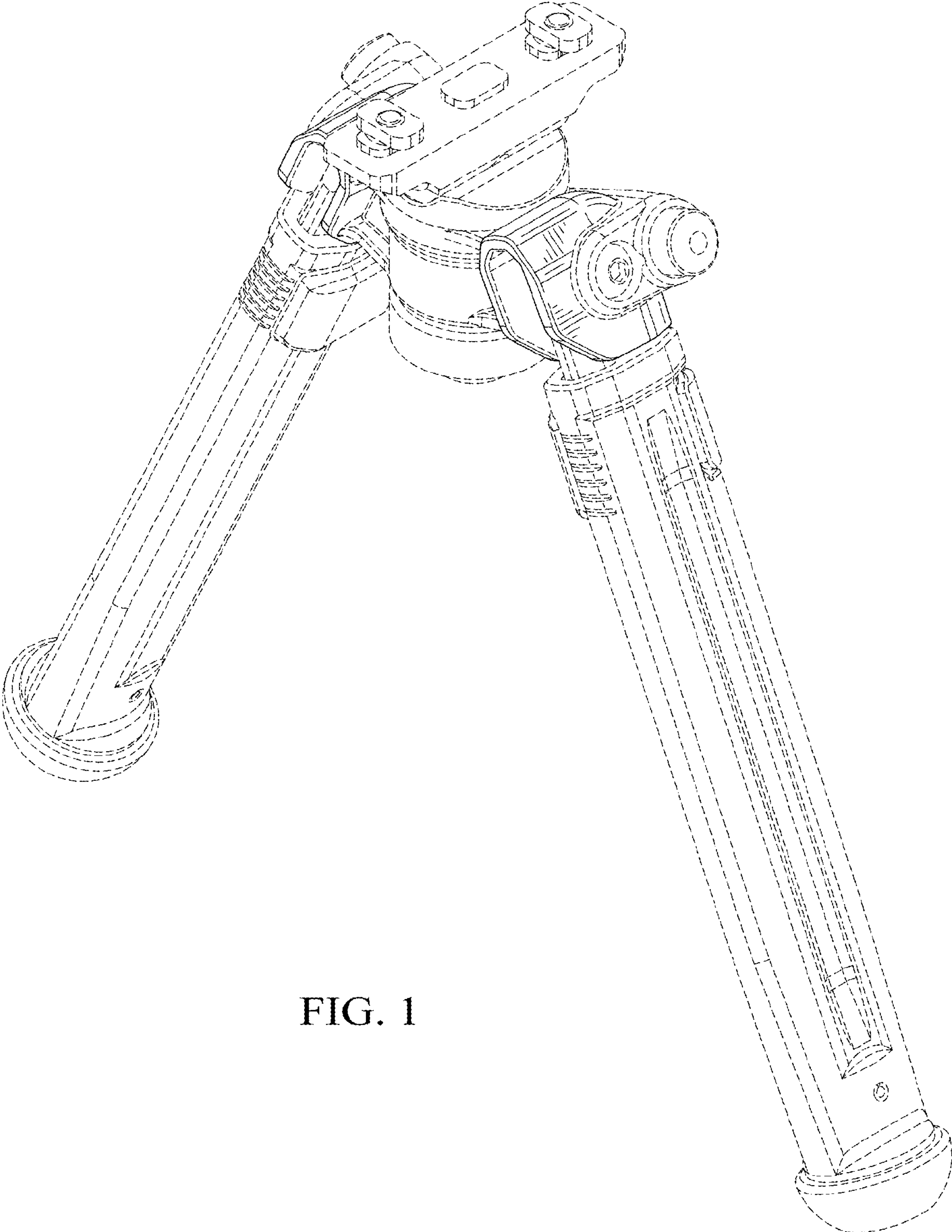


FIG. 1

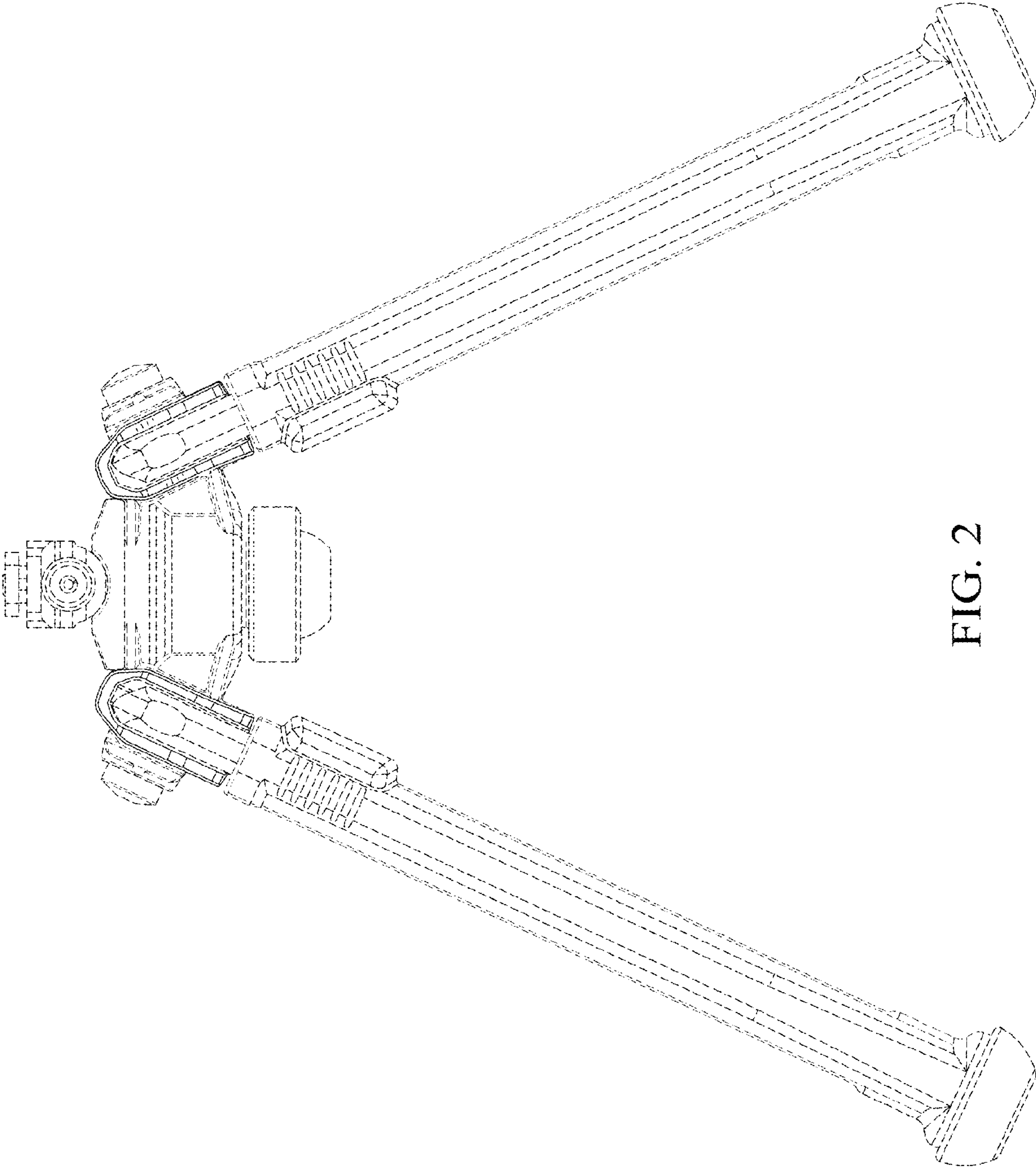


FIG. 2



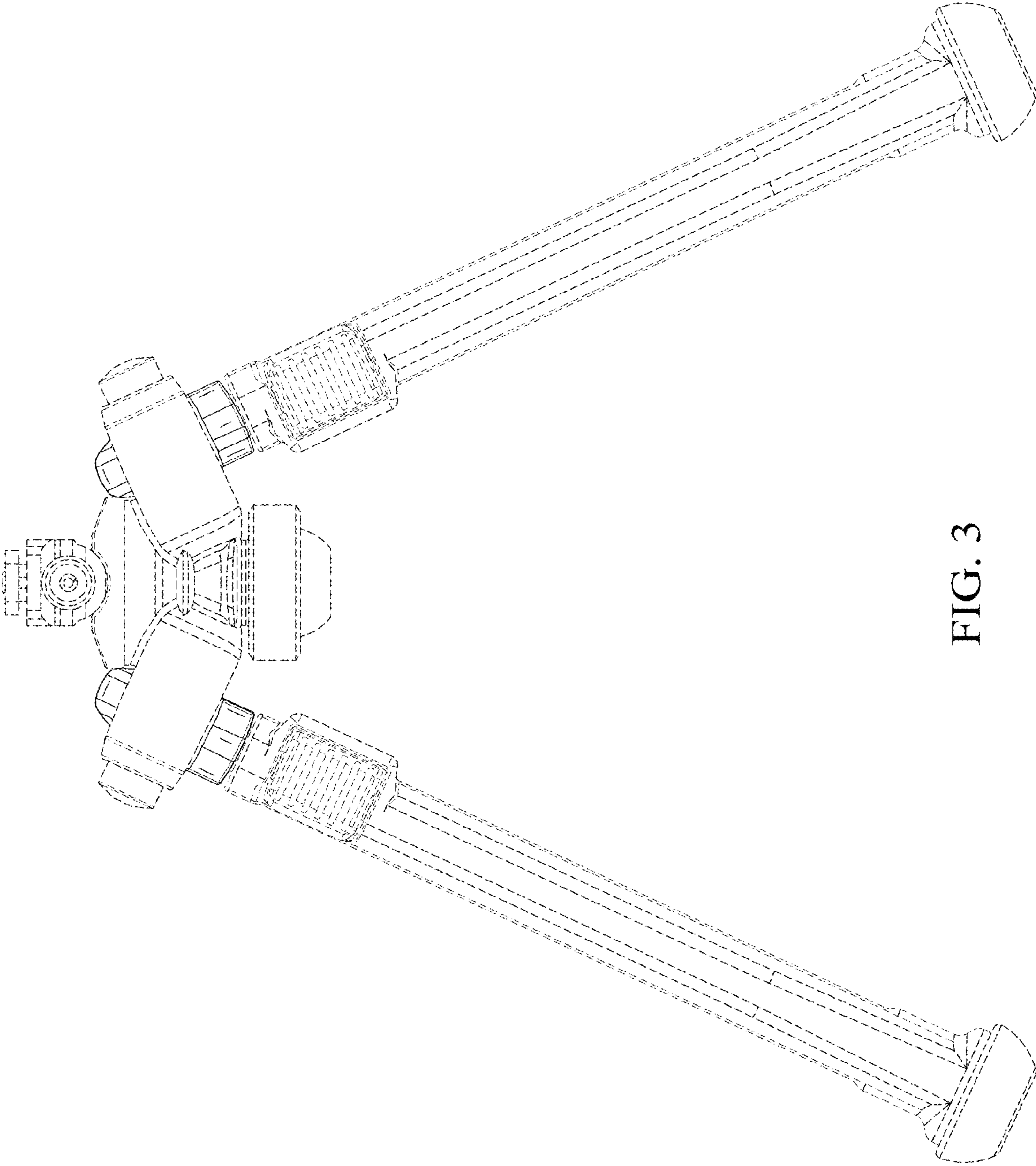


FIG. 3

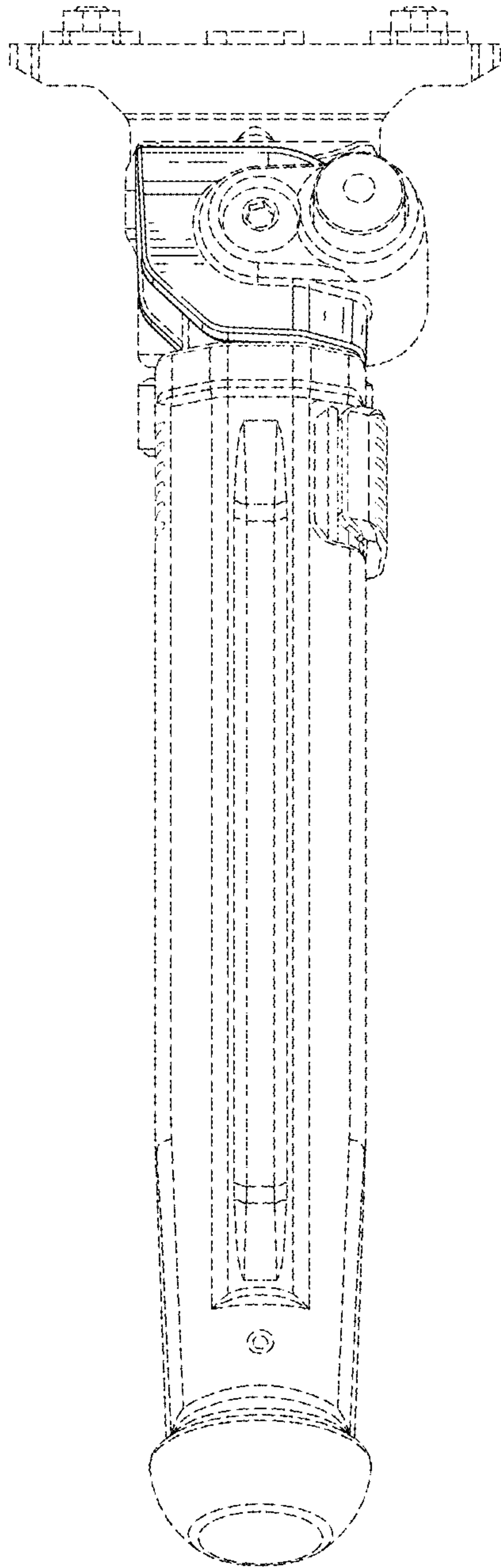


FIG. 4

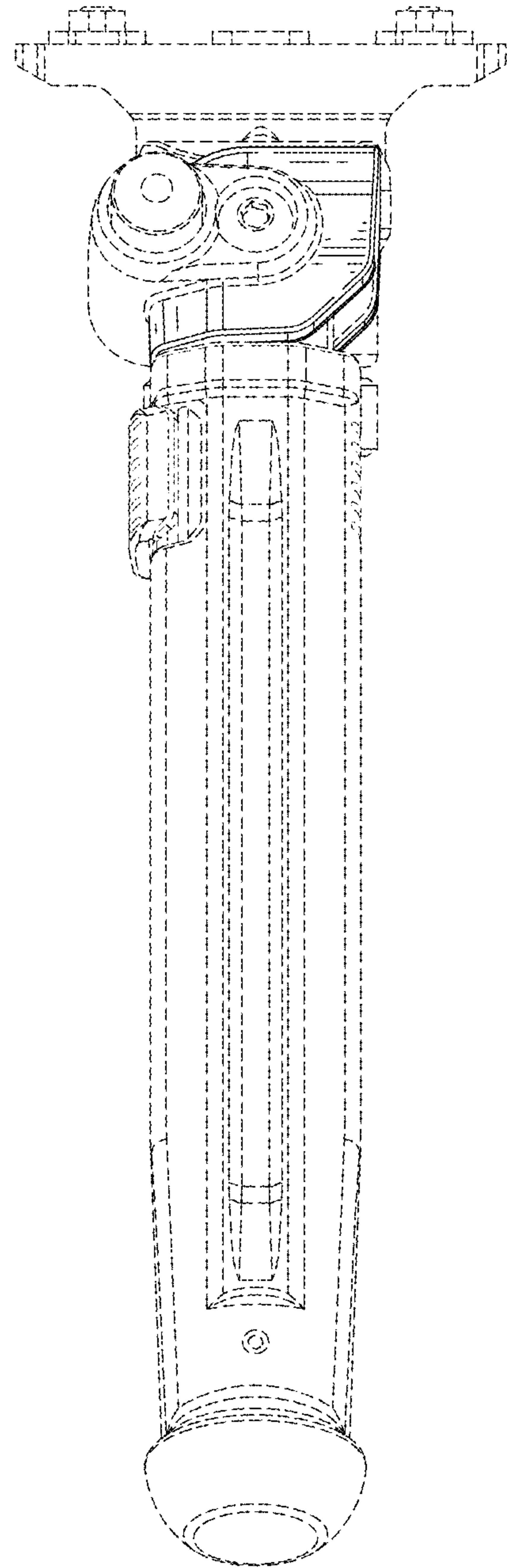


FIG. 5

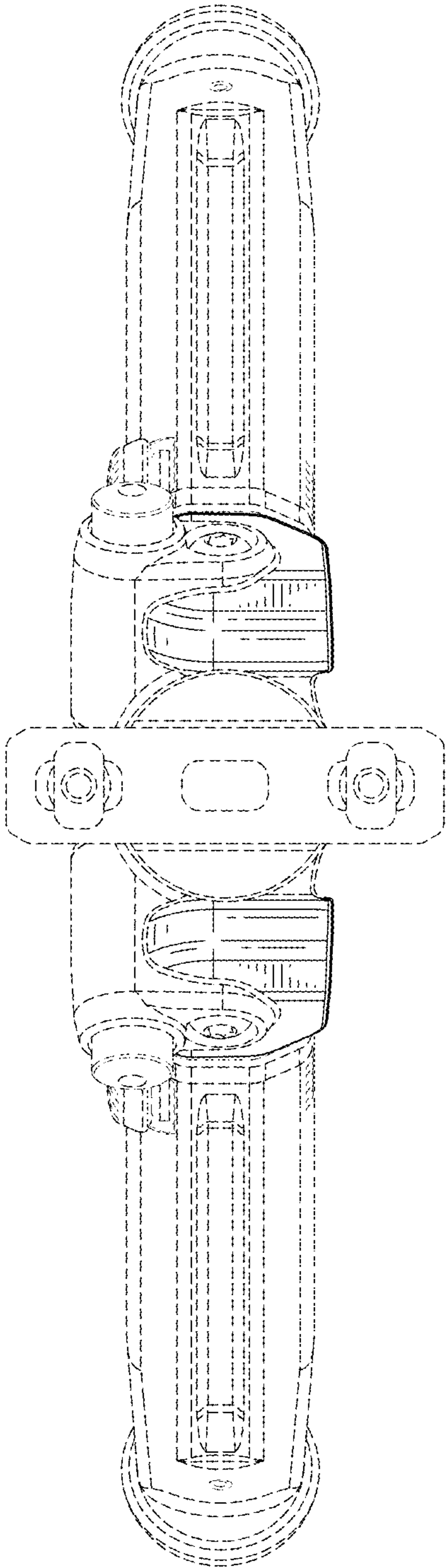


FIG. 6

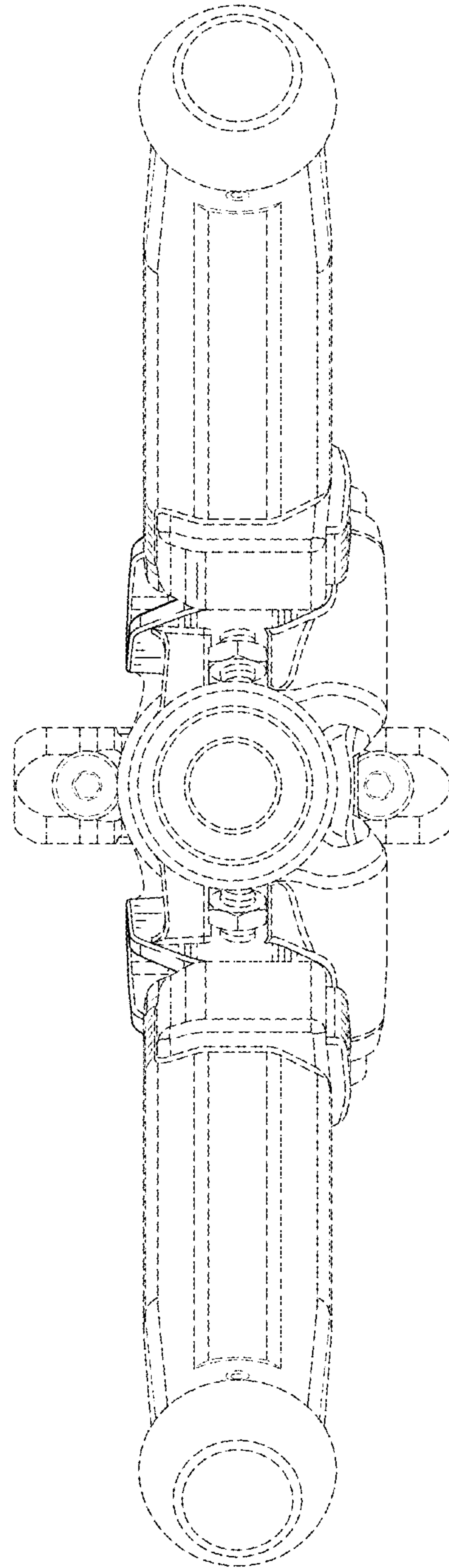


FIG. 7