

US00D960279S

(12) **United States Design Patent**
Nelson

(10) **Patent No.:** **US D960,279 S**
(45) **Date of Patent:** **** Aug. 9, 2022**

- (54) **PALM SAVER FOR WEAPON**
- (71) Applicant: **Modern Muzzleloading, Inc.**, Athens, TN (US)
- (72) Inventor: **Laurence A. Nelson**, Knoxville, TN (US)
- (73) Assignee: **Modern Muzzleloading, Inc.**, Athens, TN (US)
- (**) Term: **15 Years**
- (21) Appl. No.: **29/676,749**
- (22) Filed: **Jan. 14, 2019**
- (51) **LOC (13) Cl.** **22-01**
- (52) **U.S. Cl.**
USPC **D22/108**; D22/199
- (58) **Field of Classification Search**
USPC D22/108, 199; D8/310; D14/418
CPC A47B 95/02
See application file for complete search history.

D680,819 S * 4/2013 Patel D7/676
D772,686 S * 11/2016 Zimmer D8/310
D803,344 S * 11/2017 Huyke-Phillips D22/108
2010/0139046 A1 * 6/2010 Daniels E05B 1/0015
16/414

OTHER PUBLICATIONS

Muzzle Loaders website, Knight Rifles Muzzleloader Power Palm Saver, Publication date unknown, [site visited Sep. 27, 2021], Available on the Internet URL <https://www.muzzleloaders.com/product/knight-rifles-muzzleloader-power-palm-saver/> (Year: 2021).*

* cited by examiner

Primary Examiner — S. Bryan Reinholdt, Jr.
(74) *Attorney, Agent, or Firm* — Pitts & Lake, P.C.

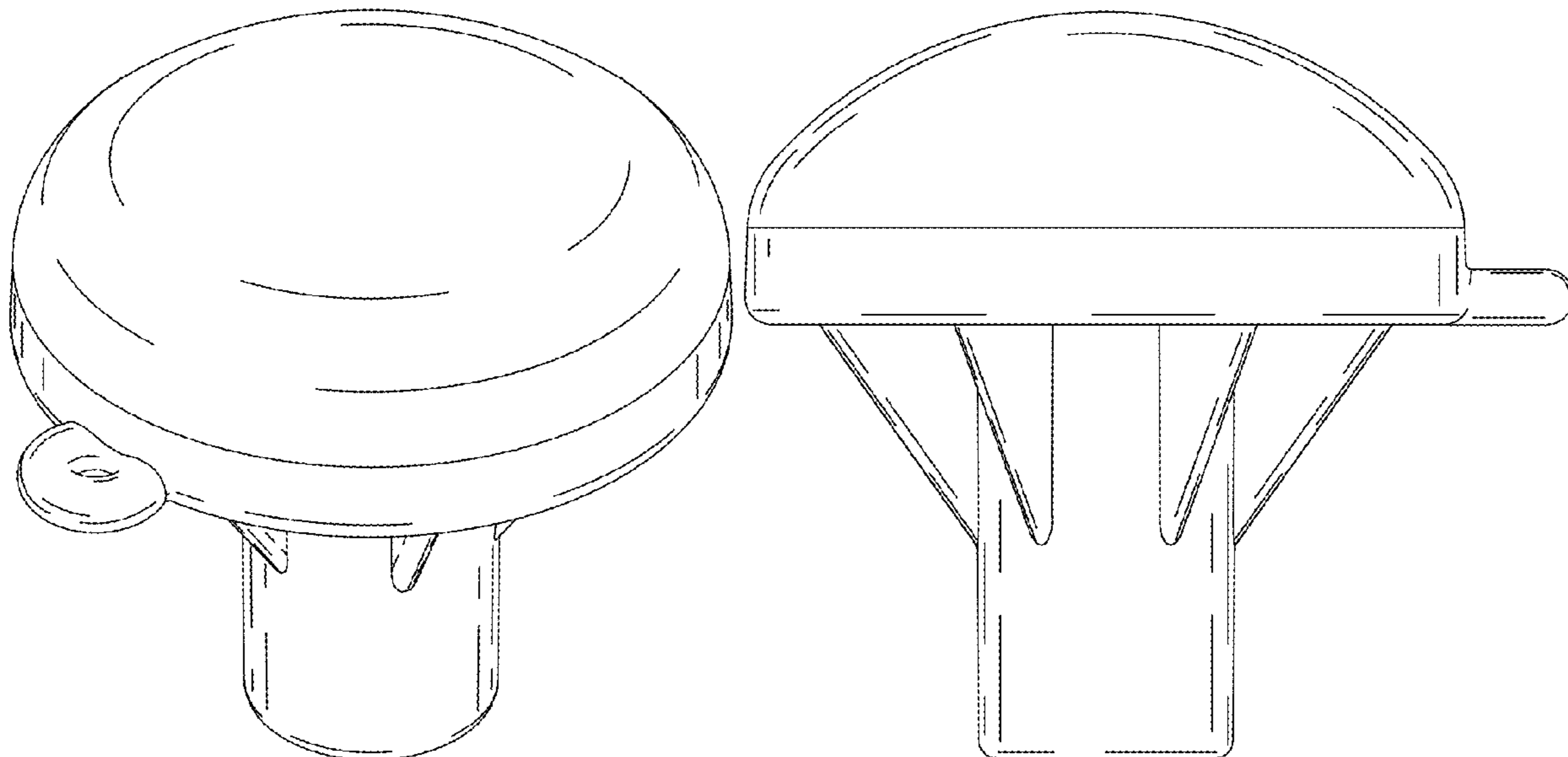
(57) **CLAIM**

I claim the ornamental design for a palm saver for weapon, as shown and described.

DESCRIPTION

FIG. 1 is a perspective view of the present invention for a palm saver for weapon;
FIG. 2 is a right side elevation view of the palm saver for weapon of FIG. 1;
FIG. 3 is a left side elevation view of the palm saver for weapon of FIG. 1;
FIG. 4 is a back side elevation view of the palm saver for weapon of FIG. 1;
FIG. 5 is a front side elevation view of the palm saver for weapon of FIG. 1;
FIG. 6 is a top view of the palm saver for weapon of FIG. 1; and,
FIG. 7 is a bottom view of the palm saver for weapon of FIG. 1.
The evenly spaced broken line in FIG. 7 and the area within depict portions of the palm saver for weapon that form no part of the claimed design.

1 Claim, 4 Drawing Sheets



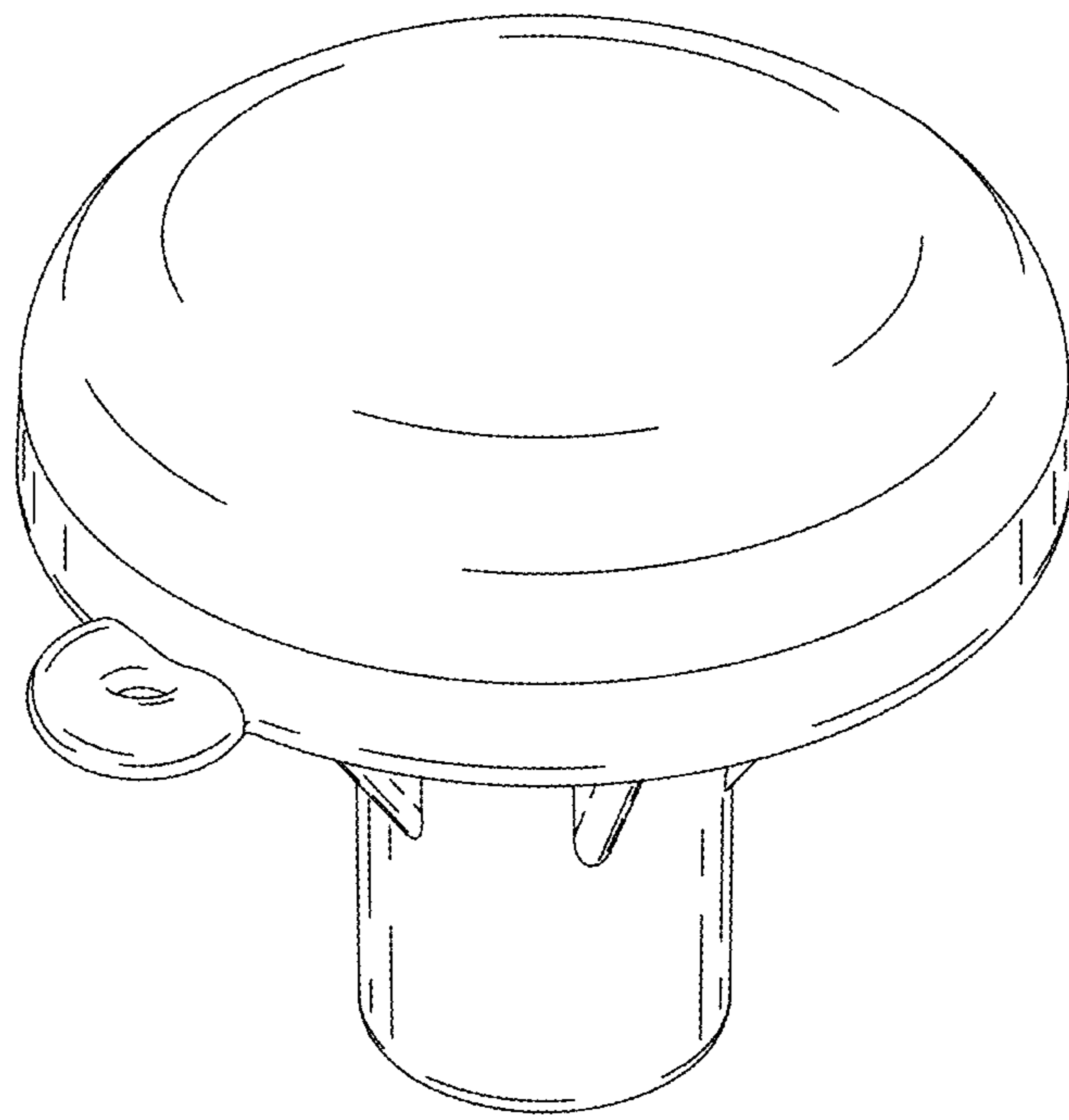


FIG. 1

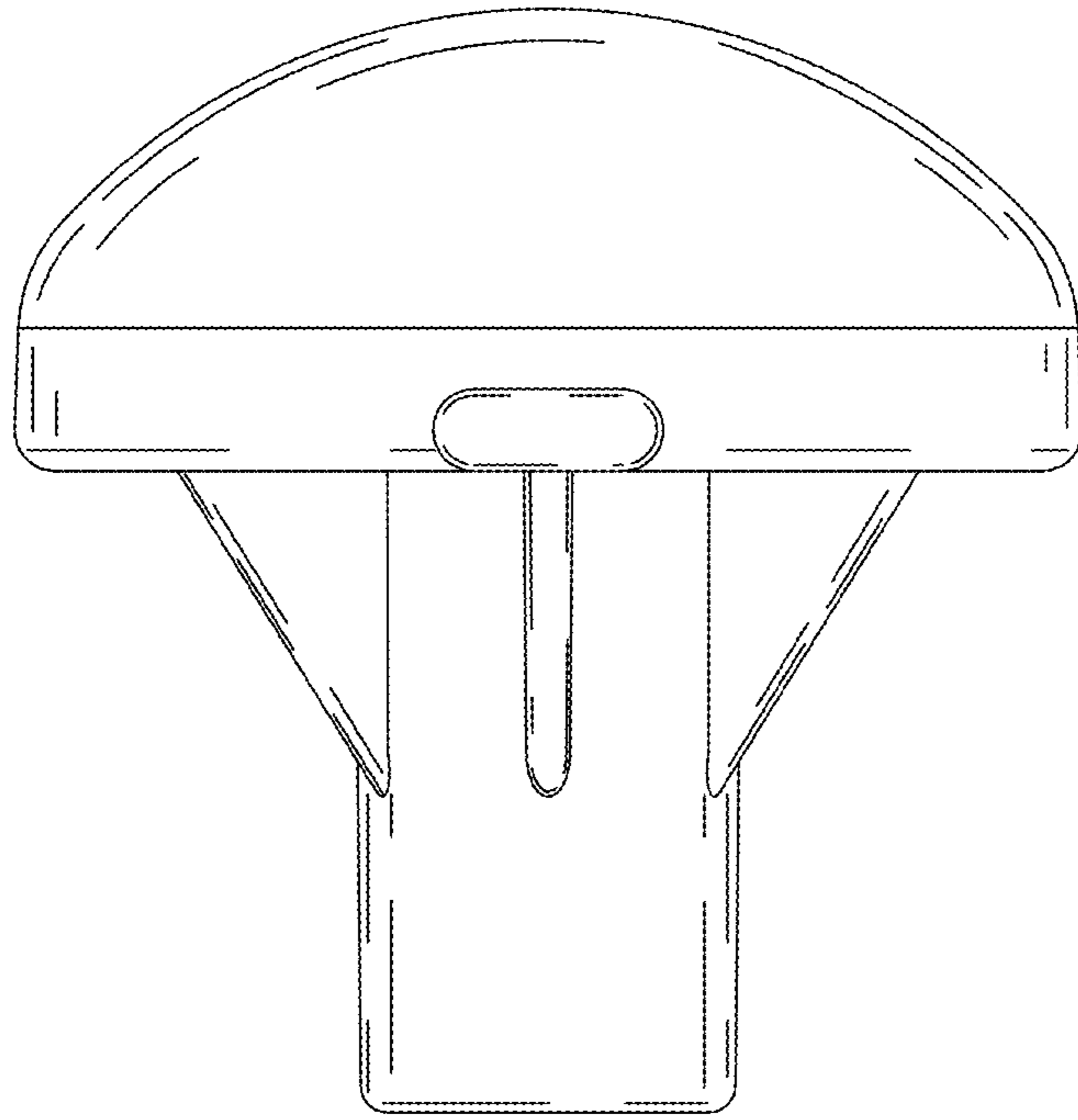


FIG. 2

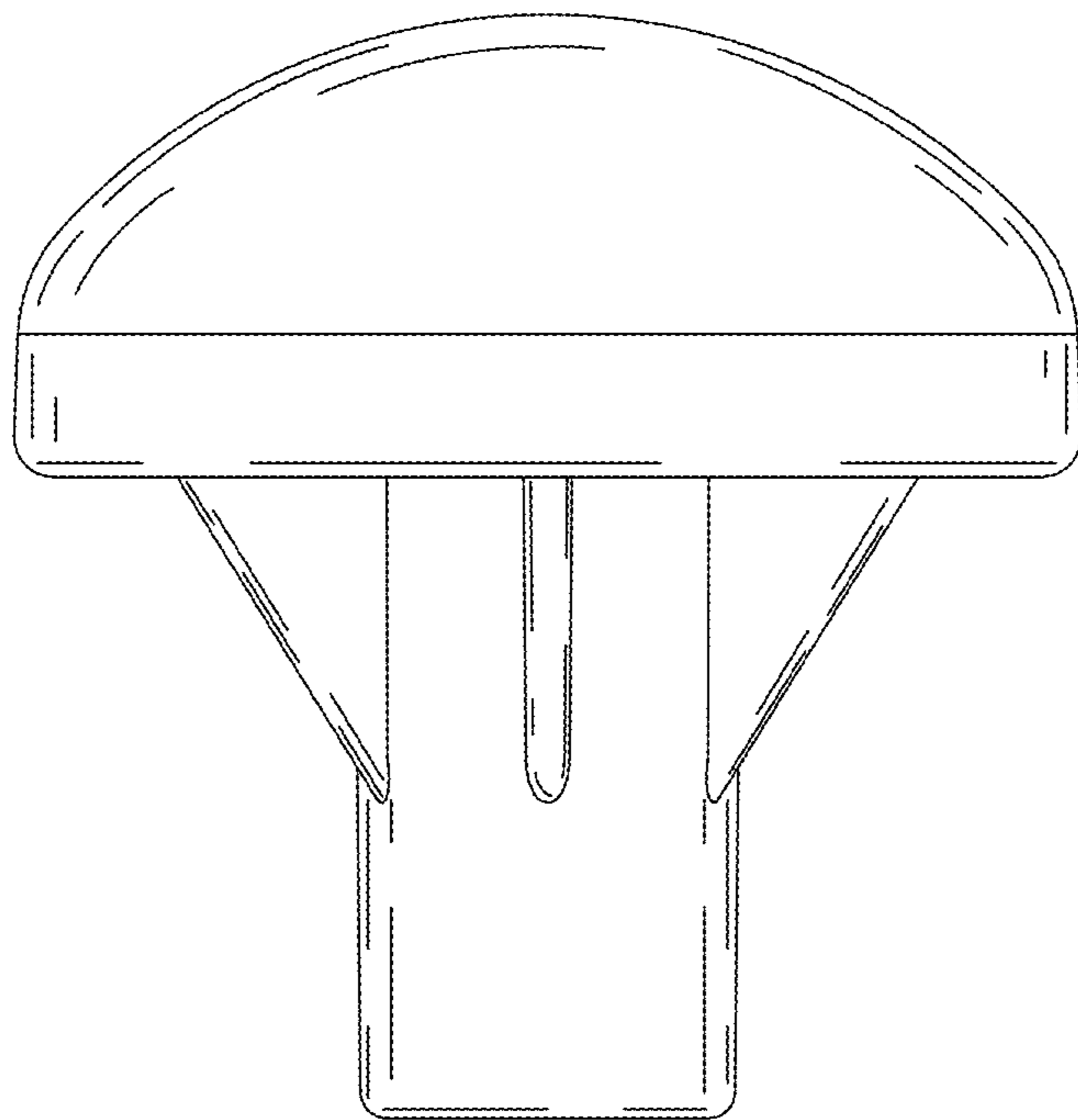


FIG. 3

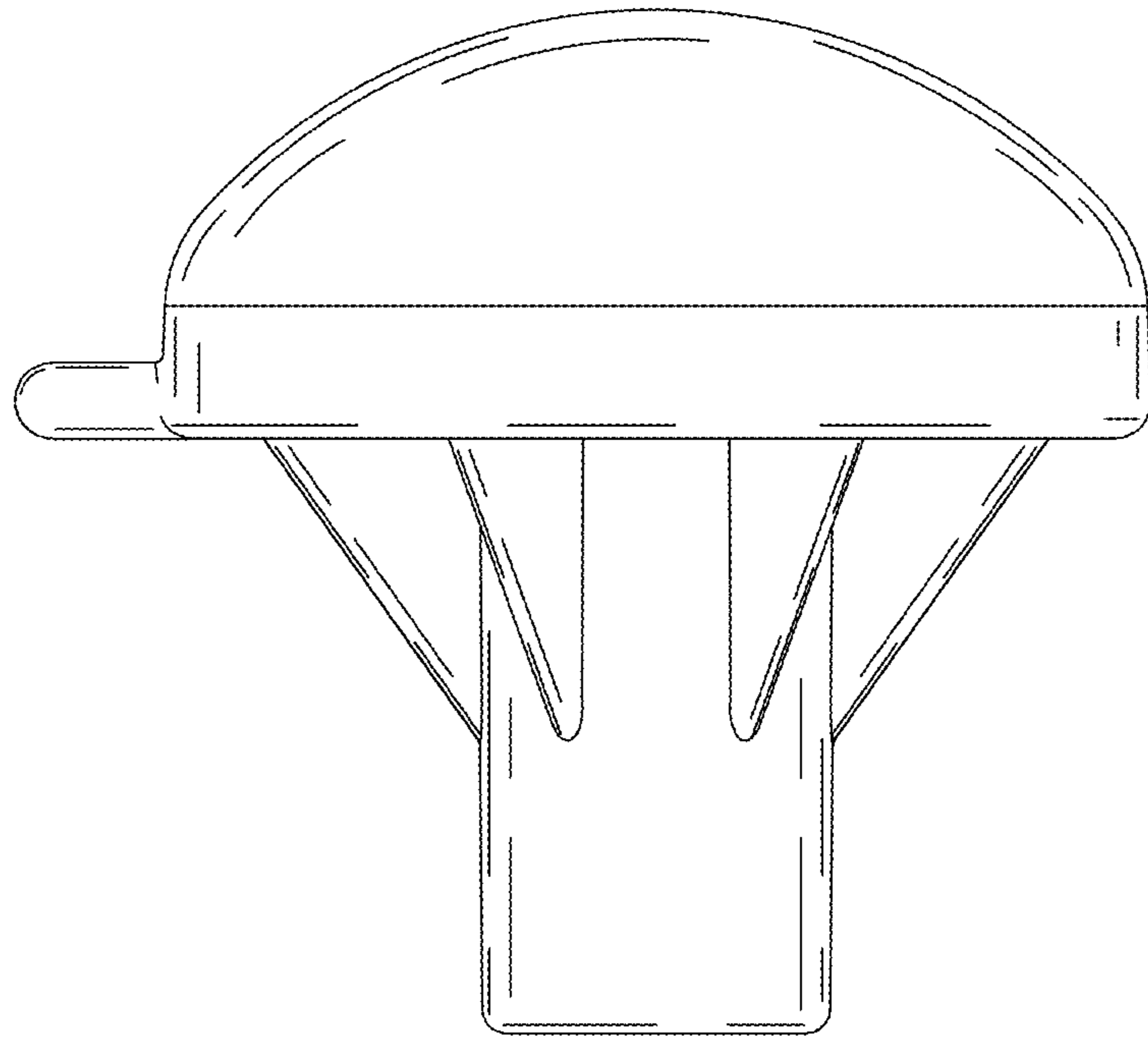


FIG. 4

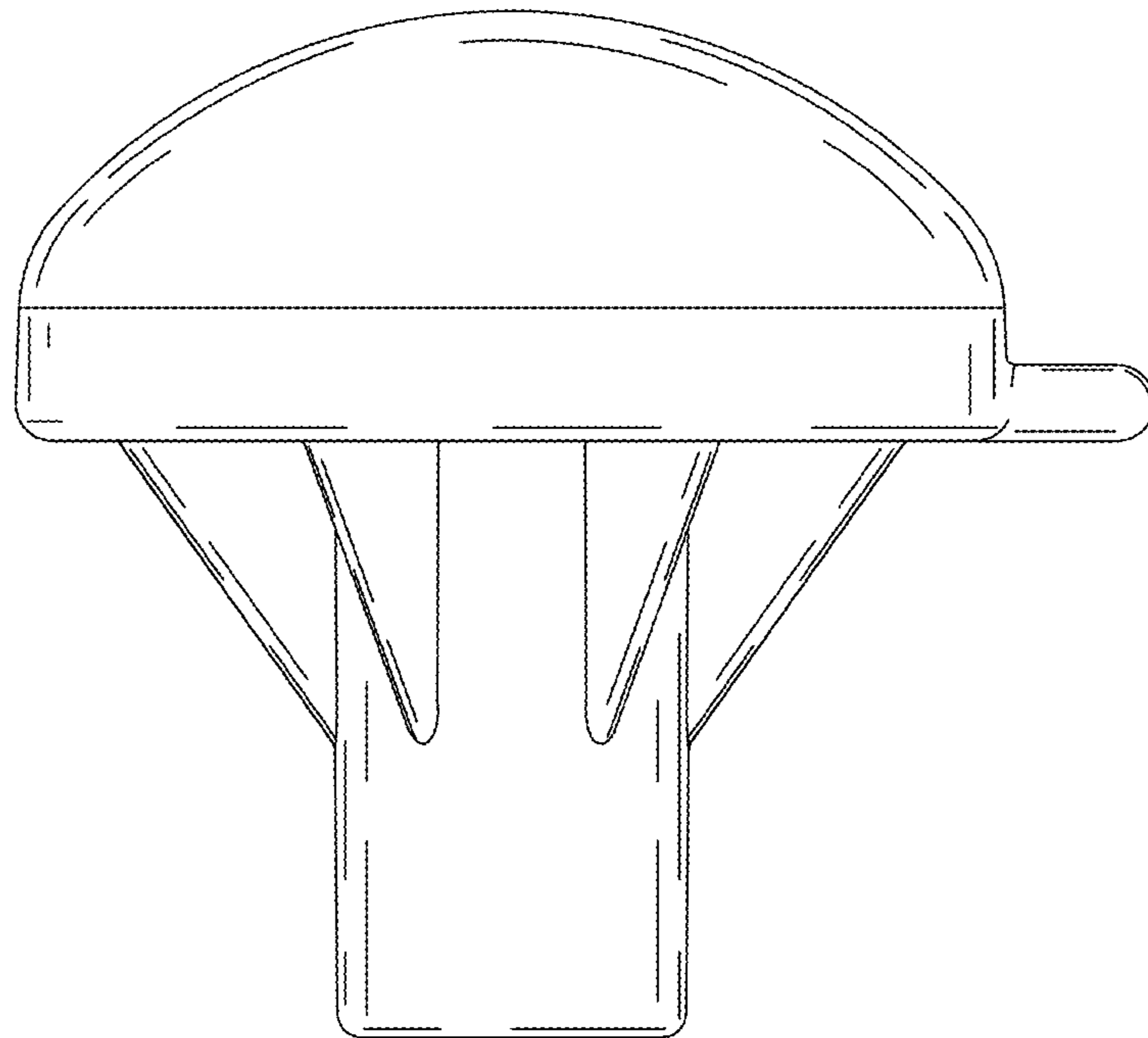


FIG. 5

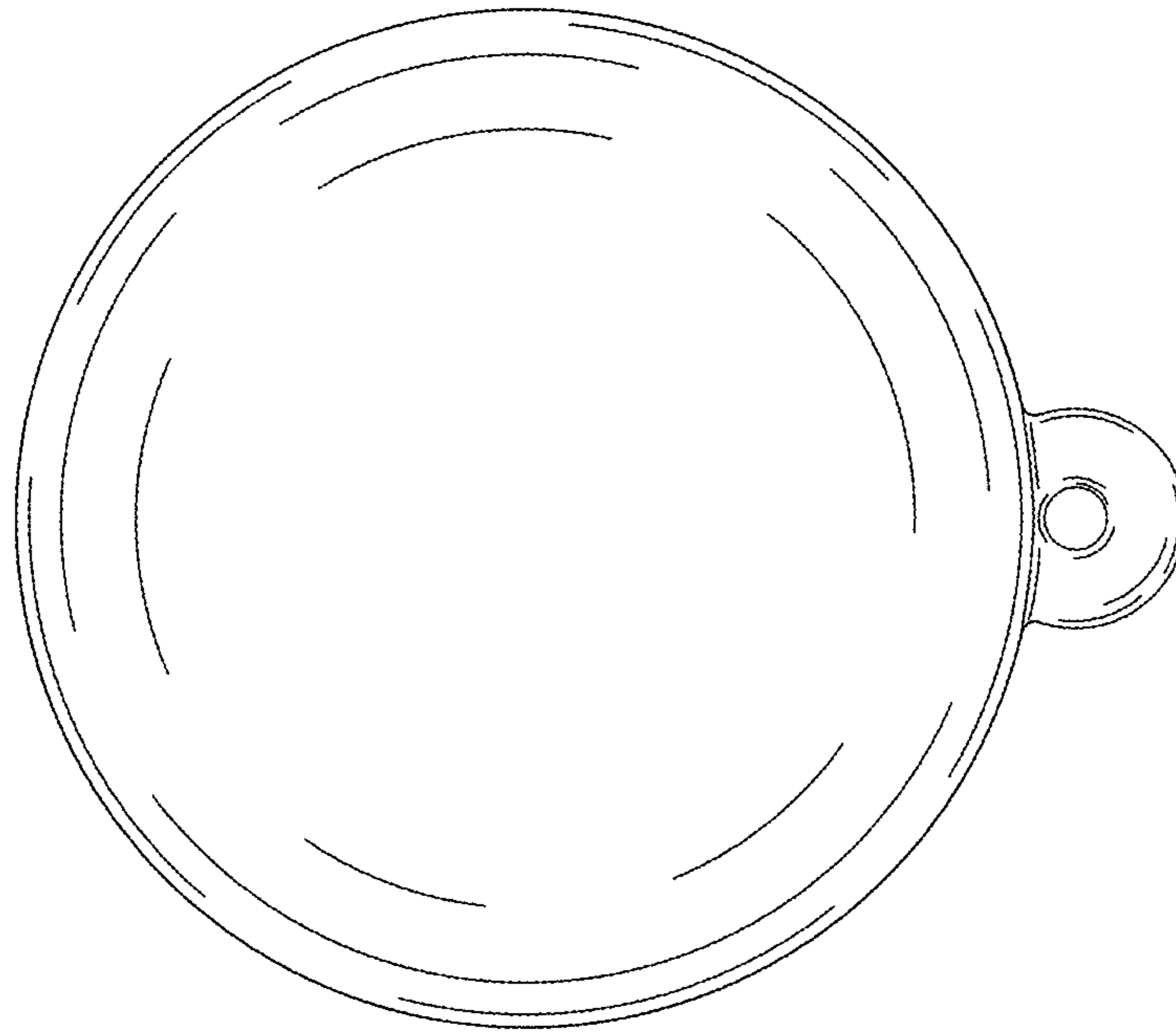


FIG. 6

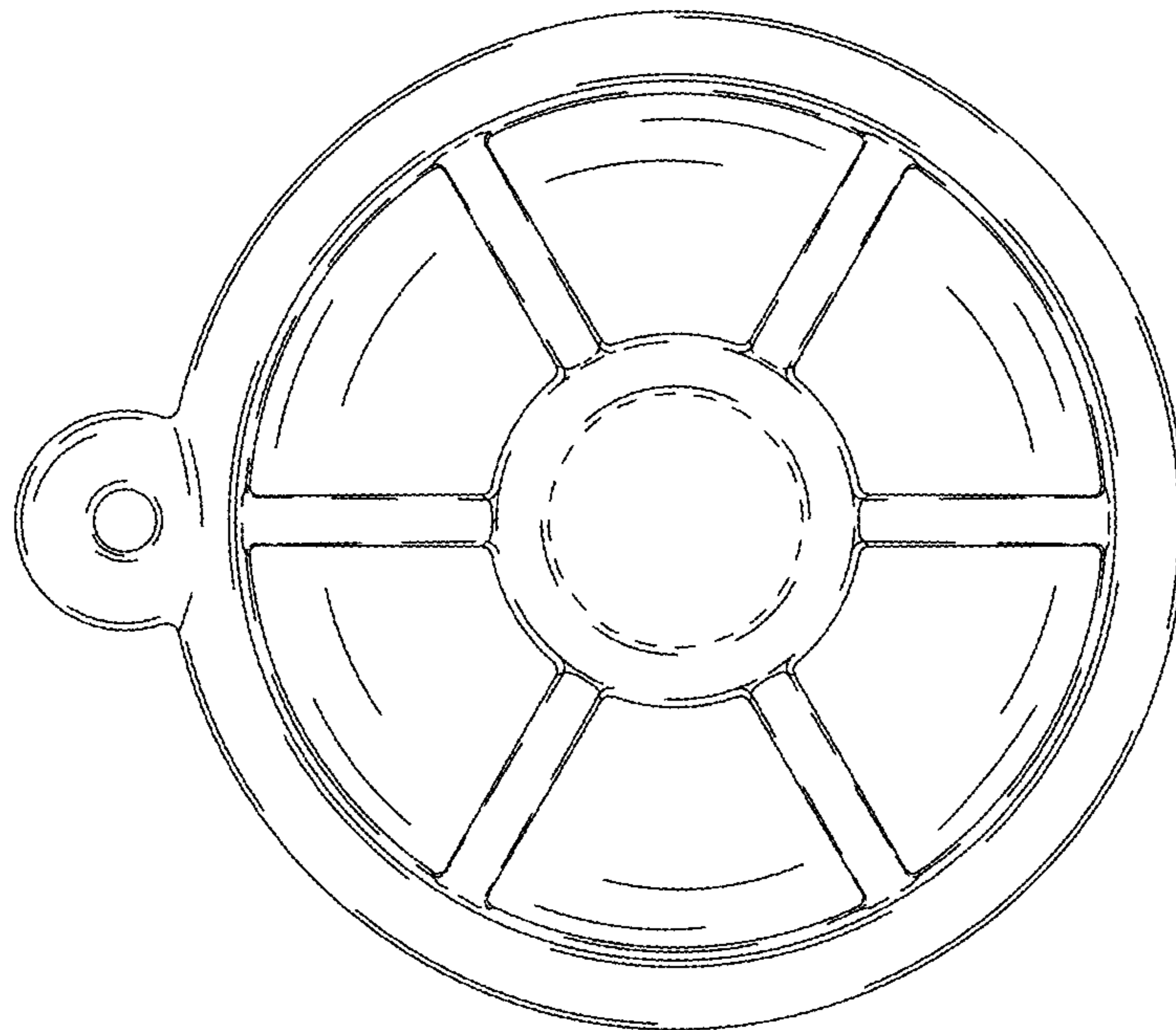


FIG. 7