

US00D960278S

(12) **United States Design Patent** (10) **Patent No.:** **US D960,278 S**  
**Lance et al.** (45) **Date of Patent:** **\*\* \*Aug. 9, 2022**

- (54) **BUCKLE FOR A RIFLE SLING**
- (71) Applicant: **VISTA OUTDOOR OPERATIONS LLC**, Farmington, UT (US)
- (72) Inventors: **Troy E. Lance**, Livingston, MT (US);  
**Robert J. Meinert**, Andover, MN (US);  
**Paul N. Smith**, Bozeman, MT (US);  
**Clif Hampel**, Boise, ID (US)
- (73) Assignee: **Vista Outdoor Operations LLC**, Anoka, MN (US)
- (\*) Notice: This patent is subject to a terminal disclaimer.
- (\*\*) Term: **15 Years**
- (21) Appl. No.: **29/611,392**
- (22) Filed: **Jul. 20, 2017**
- (51) **LOC (13) Cl.** ..... **22-01**
- (52) **U.S. Cl.**  
USPC ..... **D22/108**
- (58) **Field of Classification Search**  
USPC ..... D22/108, 109, 106, 110, 199; D11/200, D11/201, 208–210, 212–218, 220, D11/230–234, 237, 86, 87, 94; D3/215, D3/221, 262, 327; 24/171, 169, 112, 24/307, 625, 616, 200, 196; D8/383  
CPC ..... A44B 11/12; A44B 11/02; A44B 11/04; A44B 11/10; F41C 23/02; F41C 33/001; F41C 33/002; F41C 33/006; F41C 33/007; F41C 33/046  
See application file for complete search history.

- 3,081,923 A 3/1963 Bagby
- 3,948,423 A 4/1976 Hathaway
- 3,982,769 A 9/1976 Färlind
- 4,608,735 A 9/1986 Kasai
- 4,696,505 A 9/1987 Shadoan
- (Continued)

**OTHER PUBLICATIONS**

LK-GVS, YKKfastening.com, [online], [site visited Jul. 22, 2019].  
<URL: <https://www.ykkfastening.com/products/search/detail?Pdid1=LK-GVS>> (Year: 2019).  
(Continued)

*Primary Examiner* — Manpreet S Matharu  
*Assistant Examiner* — Yolanda Robinson  
(74) *Attorney, Agent, or Firm* — Reed Smith LLP;  
Matthew P. Frederick; Cheryl L. Gastineau

(57) **CLAIM**

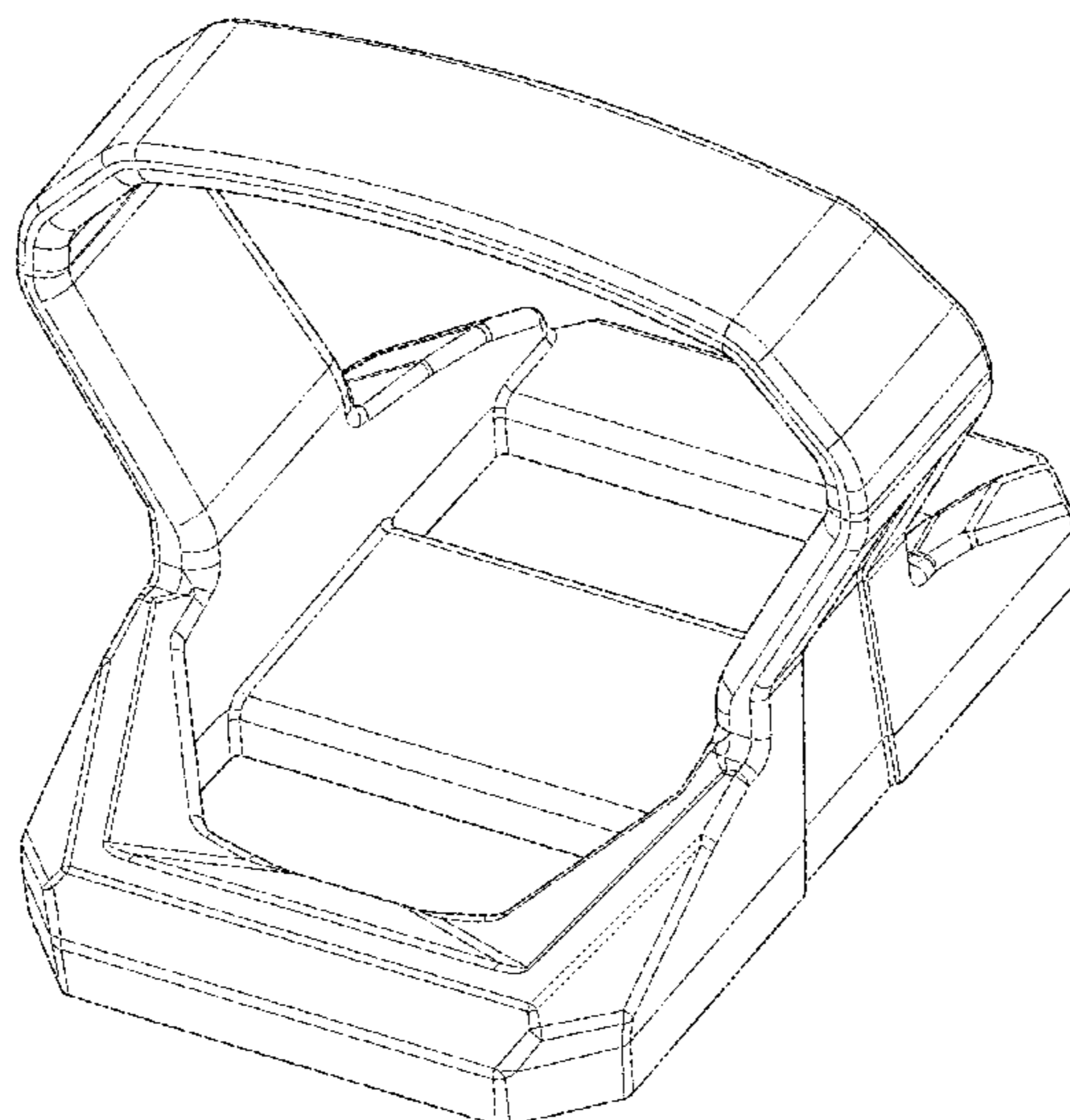
We claim the ornamental design for a buckle for a rifle sling, as shown and described.

**DESCRIPTION**

FIG. 1 is a front, top perspective view of a buckle for a rifle sling according to the invention.  
FIG. 2 is a rear, bottom perspective view of a buckle for a rifle sling according to the invention.  
FIG. 3 is a top, plan view of a buckle for a rifle sling according to the invention.  
FIG. 4 is a bottom, plan view of a buckle for a rifle sling according to the invention.  
FIG. 5 is a front, elevational view of a buckle for a rifle sling according to the invention.  
FIG. 6 is a rear, elevational view of a buckle for a rifle sling according to the invention.  
FIG. 7 is a right side, elevational view of a buckle for a rifle sling according to the invention; and,  
FIG. 8 is a left side, elevational view of a buckle for a rifle sling according to the invention.

**1 Claim, 8 Drawing Sheets**

- (56) **References Cited**  
U.S. PATENT DOCUMENTS
- 1,323,701 A 12/1919 Lethern
- 1,490,066 A 4/1924 Carr
- 2,343,118 A 2/1944 White
- 3,060,537 A 10/1962 Hatfield



(56)

References Cited

U.S. PATENT DOCUMENTS

4,819,844 A 4/1989 Niemelä  
D328,044 S 7/1992 Murai  
5,246,154 A 9/1993 Adams et al.  
D340,008 S 10/1993 Anscher  
5,282,558 A 2/1994 Martinez  
D347,601 S \* 6/1994 Anscher ..... D11/218  
D352,254 S 11/1994 Prosser  
5,379,726 A 1/1995 Mann  
5,433,360 A 7/1995 Rock  
5,715,979 A 2/1998 Crandall  
5,718,363 A 2/1998 Graves  
D398,262 S \* 9/1998 Anscher ..... D11/218  
6,068,167 A 5/2000 Hopson  
6,260,748 B1 7/2001 Lindsey  
6,325,258 B1 12/2001 Verdugo et al.  
6,520,390 B2 2/2003 Verdugo et al.  
6,536,153 B2 3/2003 Lindsey  
6,681,973 B2 1/2004 Crumrine  
D507,509 S 7/2005 Hou  
D507,763 S \* 7/2005 Kaneko ..... D11/218  
6,932,254 B2 8/2005 Eliason  
7,048,161 B2 5/2006 George  
7,059,502 B2 6/2006 Johnson  
7,069,624 B2 7/2006 Johnson  
7,082,709 B2 8/2006 Lindsey  
D579,819 S 11/2008 Brown  
D586,692 S 2/2009 Nykoluk  
D619,497 S 7/2010 Paik  
D619,928 S 7/2010 Bodino et al.  
D632,954 S 2/2011 Fitzpatrick et al.  
D636,835 S 4/2011 Fitzpatrick et al.  
D636,836 S 4/2011 Fitzpatrick et al.  
7,959,046 B2 6/2011 Burnsed, Jr. et al.  
7,988,023 B1 8/2011 Nykoluk  
D648,653 S \* 11/2011 Kadoishi ..... D11/218  
D649,907 S \* 12/2011 Kataguchi ..... D11/218  
D650,720 S \* 12/2011 Park ..... D11/218  
D668,580 S \* 10/2012 Kax ..... D11/218  
D679,580 S 4/2013 Fitzpatrick et al.  
8,430,285 B2 4/2013 Burnsed, Jr.  
D683,262 S 5/2013 Fitzpatrick et al.  
8,516,732 B2 8/2013 Burnsed, Jr.  
8,544,153 B2 10/2013 Mayberry et al.  
8,596,504 B2 12/2013 Haley, Sr. et al.  
D700,541 S 3/2014 Iannello et al.  
D702,151 S \* 4/2014 Kaneko ..... D11/218  
D702,311 S 4/2014 Fitzpatrick et al.  
D703,096 S 4/2014 Kelleghan  
D703,100 S \* 4/2014 Saitsu ..... D11/218  
8,733,601 B2 5/2014 Burnsed, Jr.  
D710,480 S 8/2014 Fitzpatrick et al.  
D729,689 S \* 5/2015 Kelleghan ..... D11/218  
D731,921 S \* 6/2015 Kung ..... D11/218  
D741,148 S \* 10/2015 Liu ..... D11/218  
9,157,699 B2 10/2015 Ward et al.  
D745,630 S 12/2015 Eitan et al.  
D745,631 S 12/2015 Eitan et al.  
D746,404 S 12/2015 Chow et al.  
D750,530 S 3/2016 VanHoutin et al.

D755,328 S 5/2016 Eitan et al.  
D755,330 S 5/2016 Eitan et al.  
9,557,138 B2 1/2017 Alford  
D782,364 S 3/2017 Nykoluk  
D790,779 S 6/2017 Javornick et al.  
D816,545 S 5/2018 Kelleghan  
D821,259 S 6/2018 Ciptak et al.  
D822,537 S 7/2018 Smuin  
D823,717 S \* 7/2018 Ho ..... D11/218  
D838,916 S 1/2019 Piombino et al.  
D840,869 S 2/2019 Koreishi  
D840,870 S \* 2/2019 Koreishi ..... D11/218  
D848,899 S 5/2019 Chang  
D856,846 S \* 8/2019 Mouquet ..... D11/231  
D858,250 S \* 9/2019 Petzl ..... D8/323  
D859,126 S \* 9/2019 Petzl ..... D8/323  
D869,594 S \* 12/2019 Lance ..... D22/108  
10,545,007 B2 \* 1/2020 Lance ..... F41C 23/02  
2002/0153393 A1 10/2002 Verdugo et al.  
2003/0034371 A1 2/2003 Crumrine  
2003/0037417 A1 2/2003 Shen et al.  
2004/0188476 A1 9/2004 Johnson  
2007/0278262 A1 12/2007 Gallagher  
2008/0078069 A1 \* 4/2008 Pontaoe ..... A44B 11/04  
24/196  
2008/0217371 A1 9/2008 Wemmer  
2008/0302838 A1 12/2008 Burnsed, Jr.  
2009/0321484 A1 12/2009 Schweikert  
2011/0186603 A1 8/2011 Alford  
2012/0324686 A1 \* 12/2012 Ishii ..... A44B 11/12  
24/68 E  
2013/0101280 A1 4/2013 Xu  
2013/0305582 A1 11/2013 Mayberry et al.  
2013/0333168 A1 12/2013 Burnsed, Jr.  
2014/0091115 A1 4/2014 Haley et al.  
2014/0203053 A1 7/2014 Rivas-Schlanger  
2014/0263489 A1 9/2014 Hendricks  
2014/0367427 A1 12/2014 Bjelde et al.  
2015/0272280 A1 10/2015 Muller  
2015/0292834 A1 10/2015 McCarthy  
2016/0123374 A1 5/2016 Roberts  
2016/0128452 A1 5/2016 Eitan et al.

OTHER PUBLICATIONS

Locwave Adjuster: LK-WGS, Ykkfatening.com [online], [site visited Jul. 22, 2019]. <URL: [https://www.ykkfastening.com/products/search/detail.html?pdid1=Locwave+Adjuster\(TM\)+%ef%bc%9a+LK-WGS](https://www.ykkfastening.com/products/search/detail.html?pdid1=Locwave+Adjuster(TM)+%ef%bc%9a+LK-WGS)> (Year: 2019).  
AR-15-Vickers Sling Installation—Blue Force Gear, YouTube.com nsz85, Published on Jul. 31, 2016, [online], [site visited Jul. 22, 2019]. <URL: <https://www.youtube.com/watch?v=fNo-xgi3ZJo>> (Year: 2016).  
Mirrorless Comparison, “Peak Design Slide vs. Slide Lite vs. Leash—Accessory Comparison” [online] (retrieved from the internet Sep. 25, 2018) <URL <http://web.archive.org/web/20170618003435/https://mirrorlesscomparison.com/accessories/peak-design-slide-vs-slide-lite-vs-leash/>>, Jun. 18, 2017 (Jun. 18, 2017); entire document.

\* cited by examiner

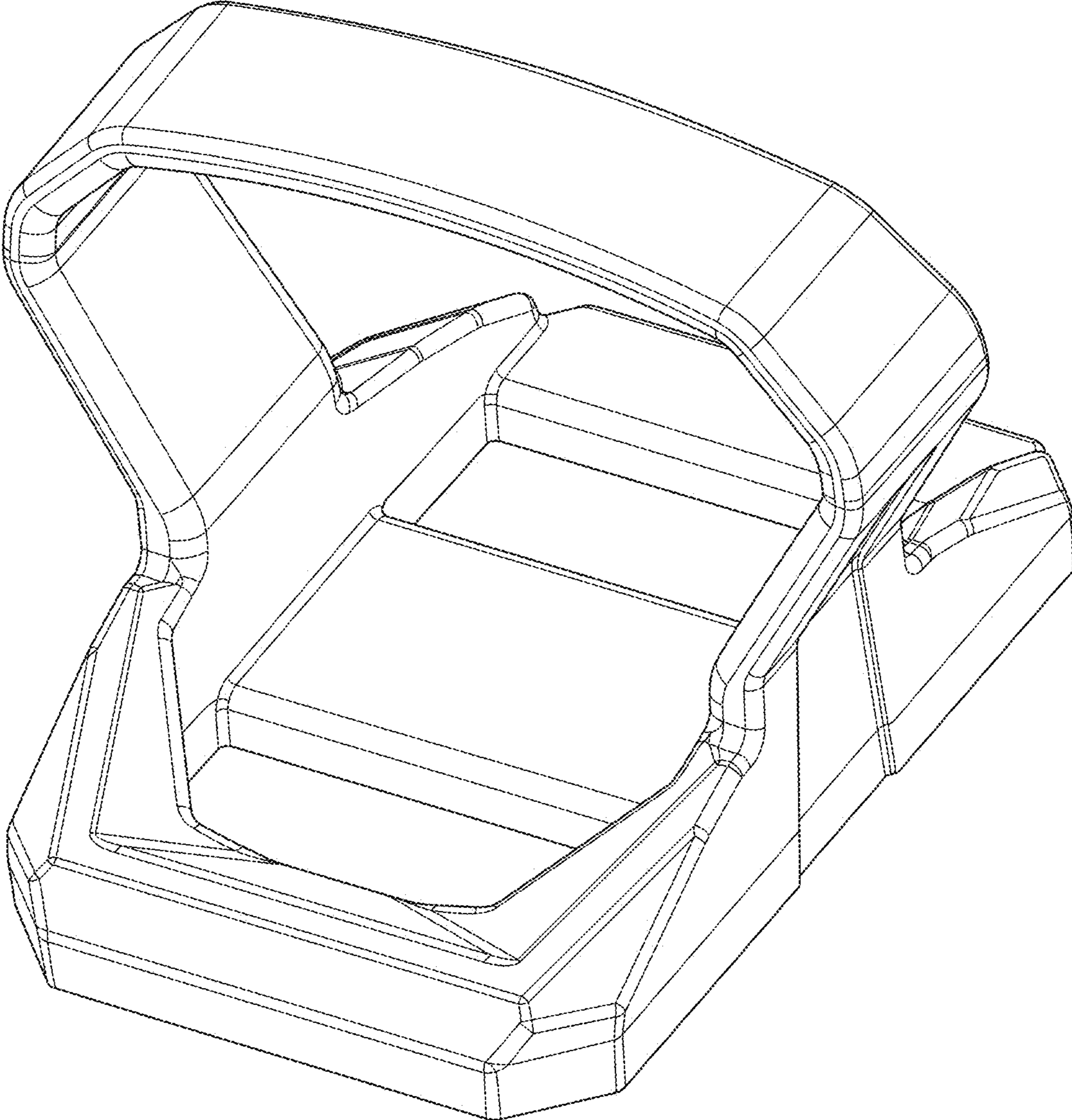


FIG. 1

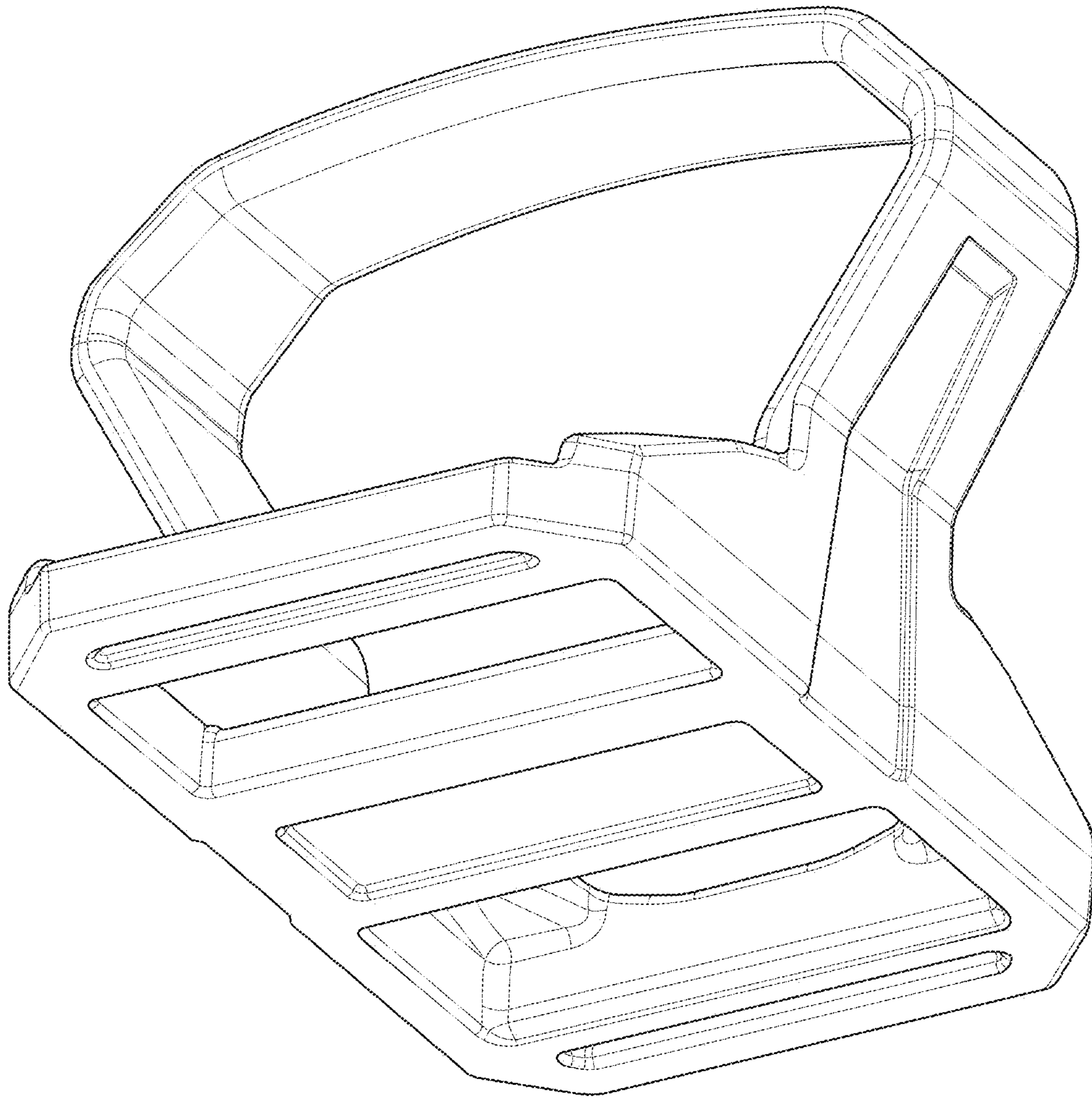


FIG. 2

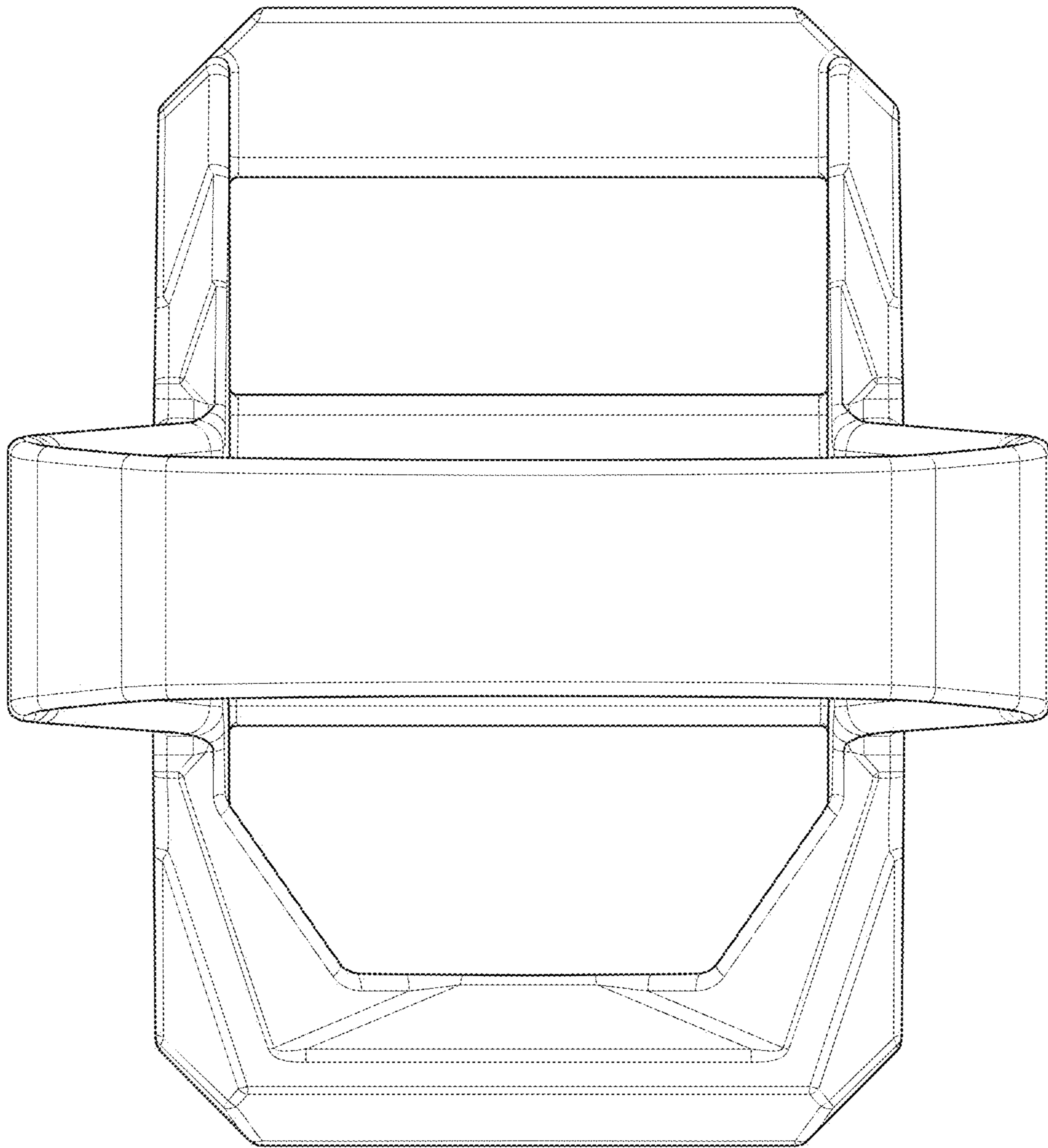


FIG. 3

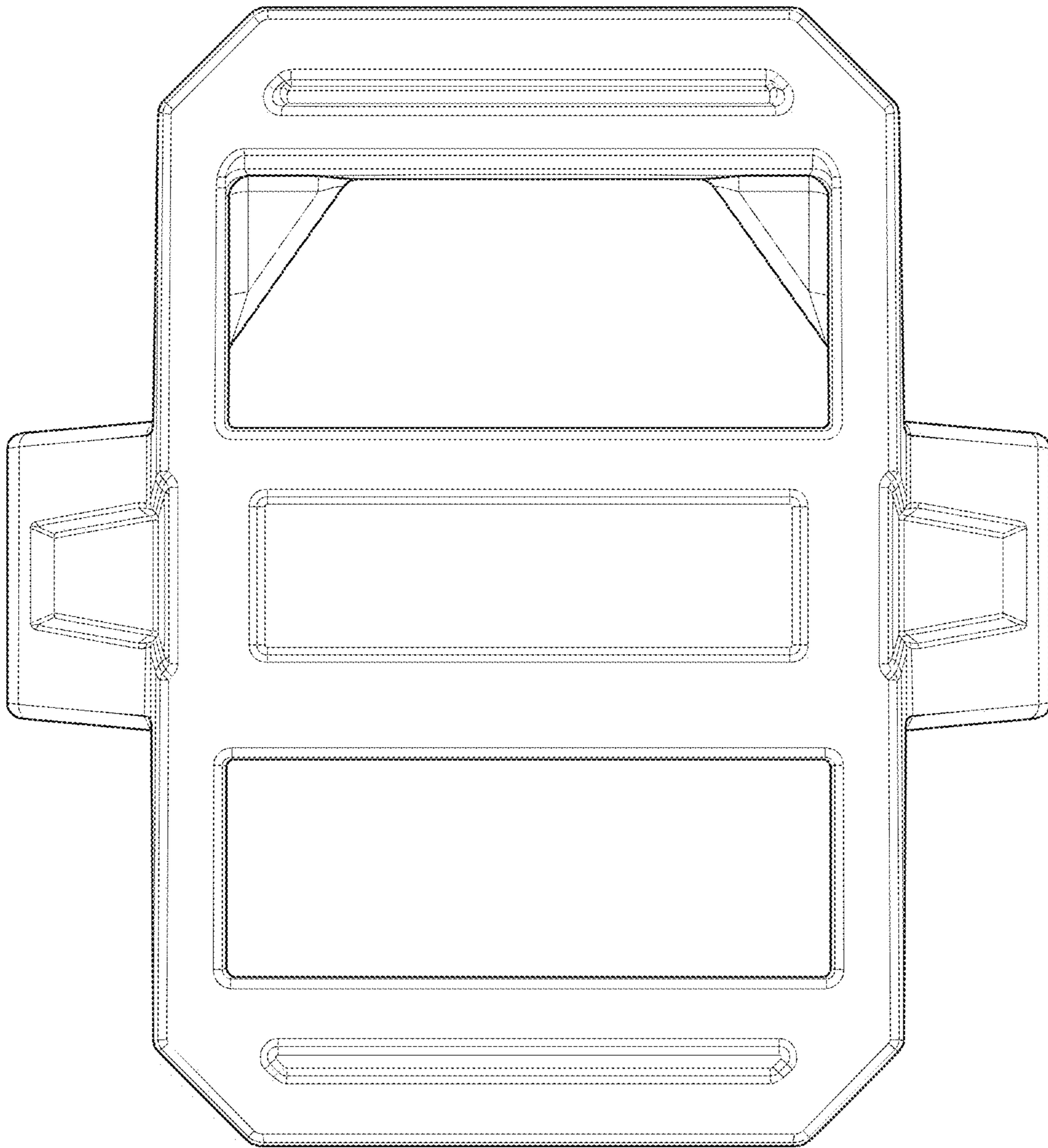


FIG. 4

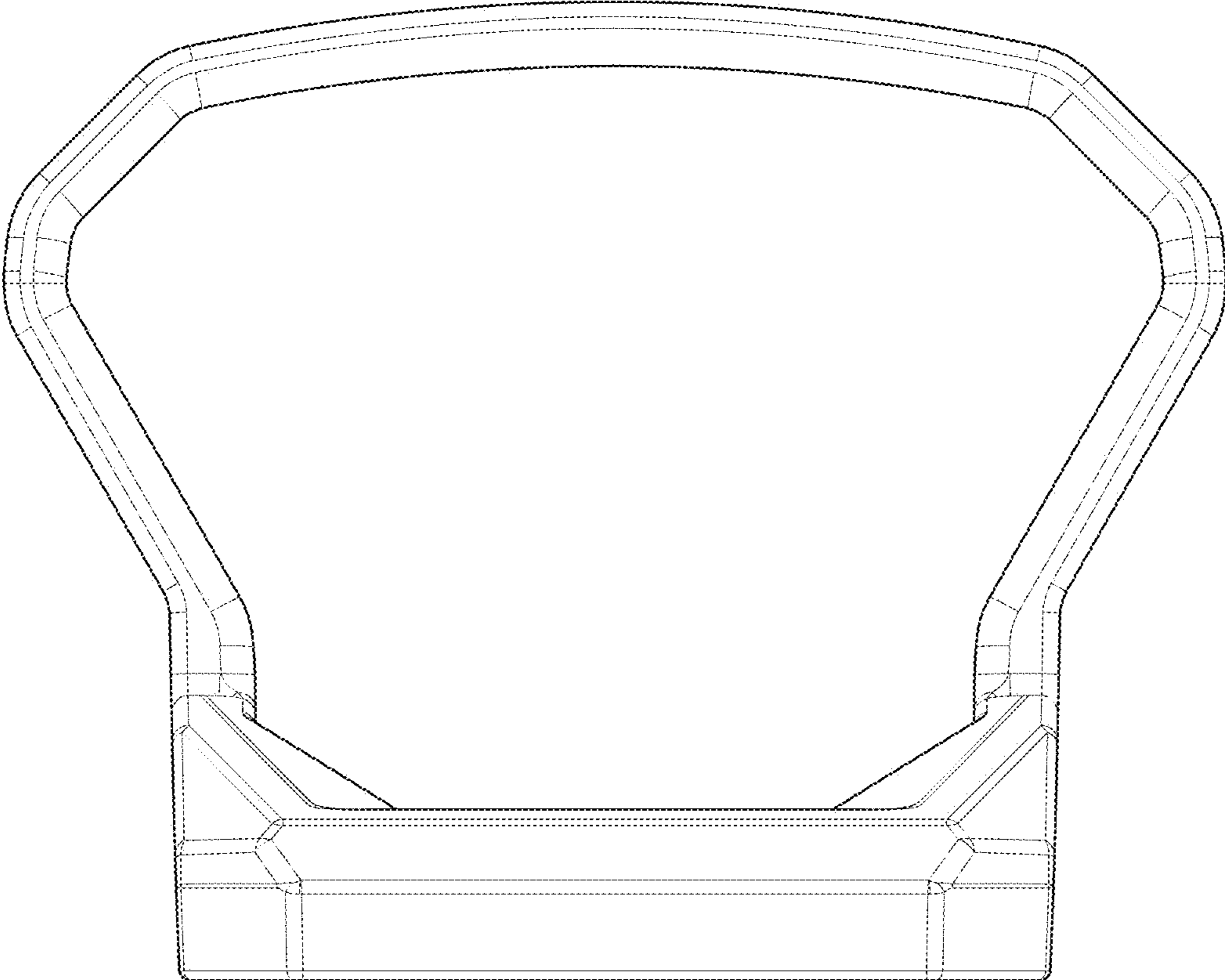


FIG. 5

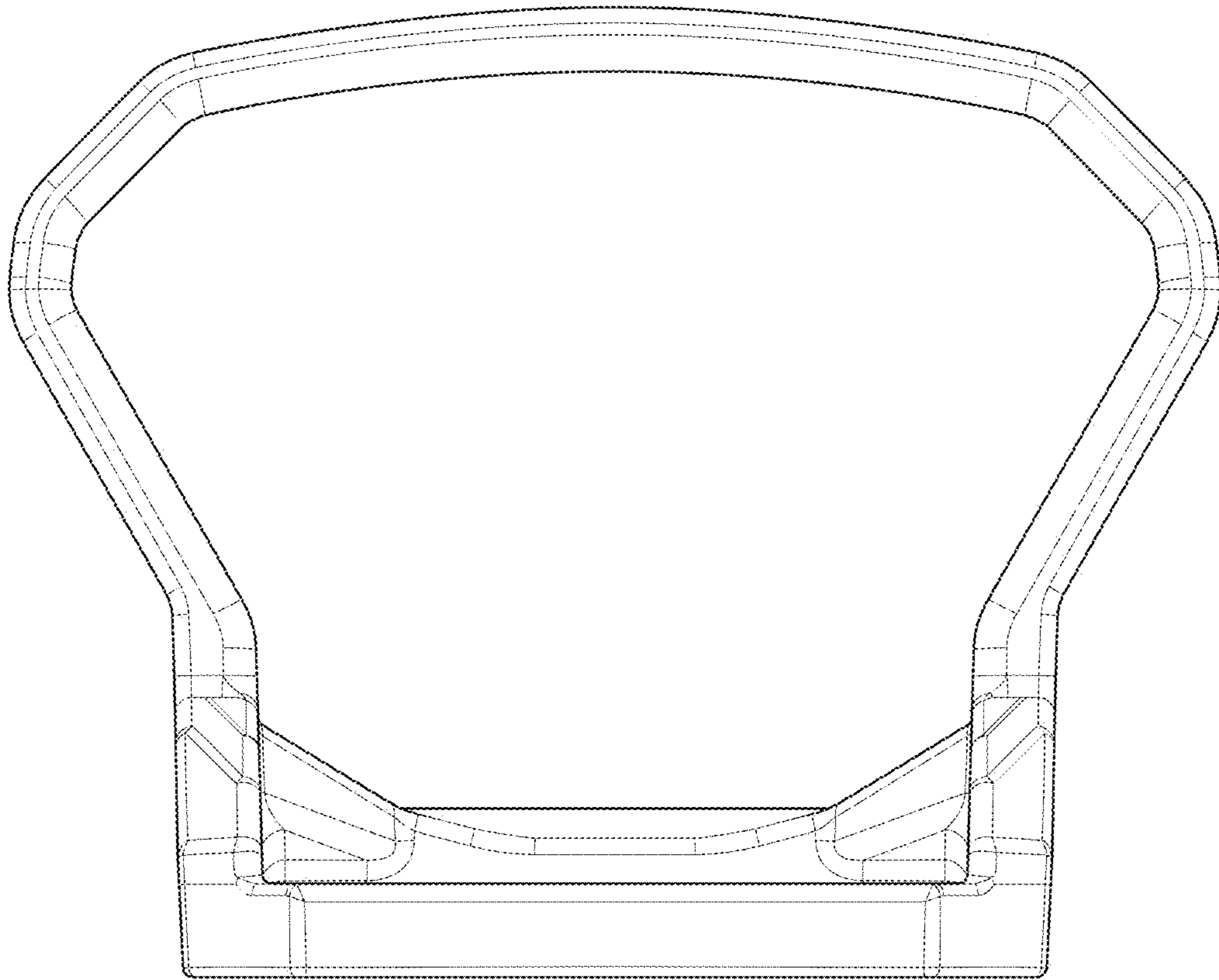


FIG. 6



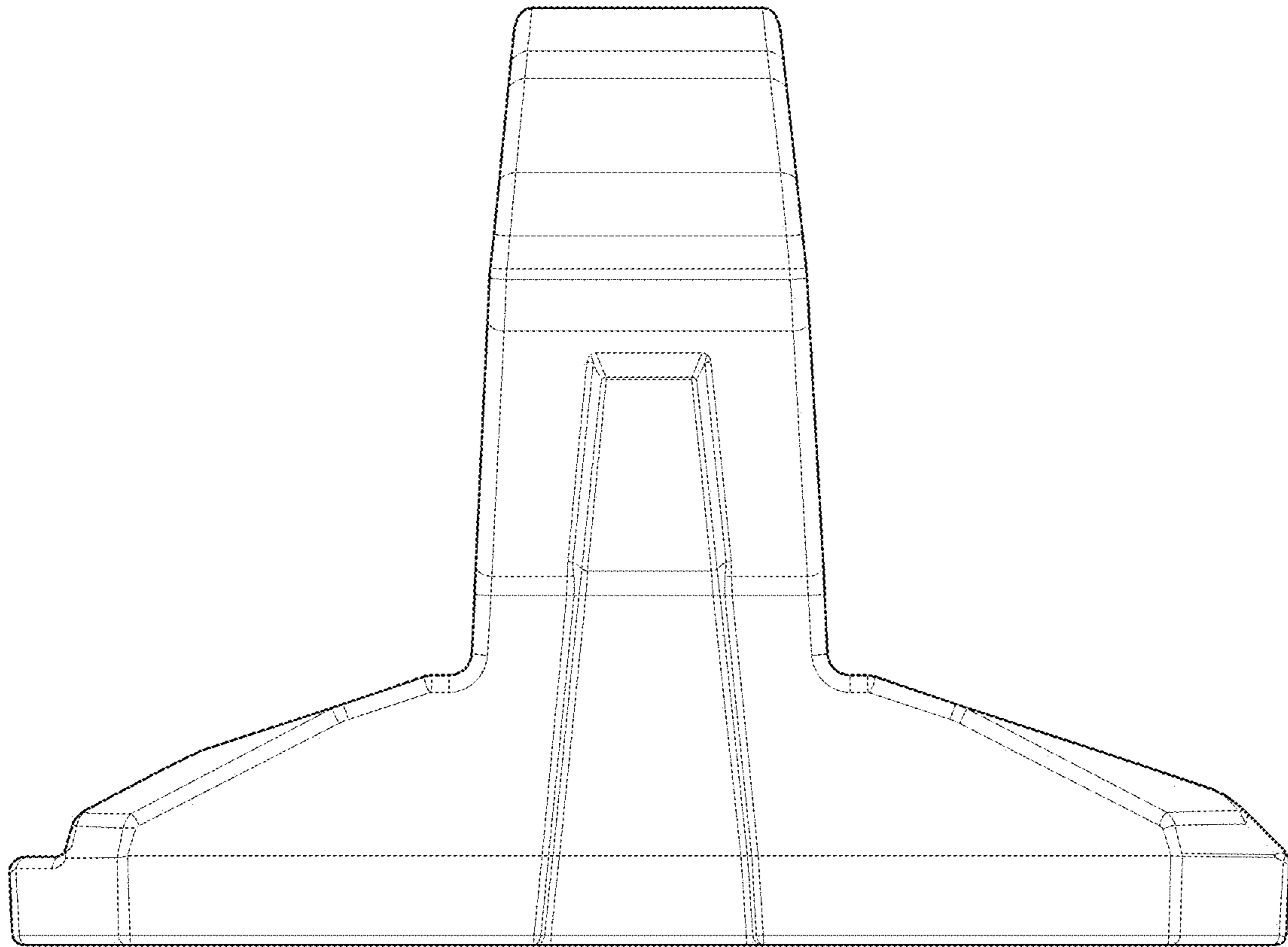


FIG. 7

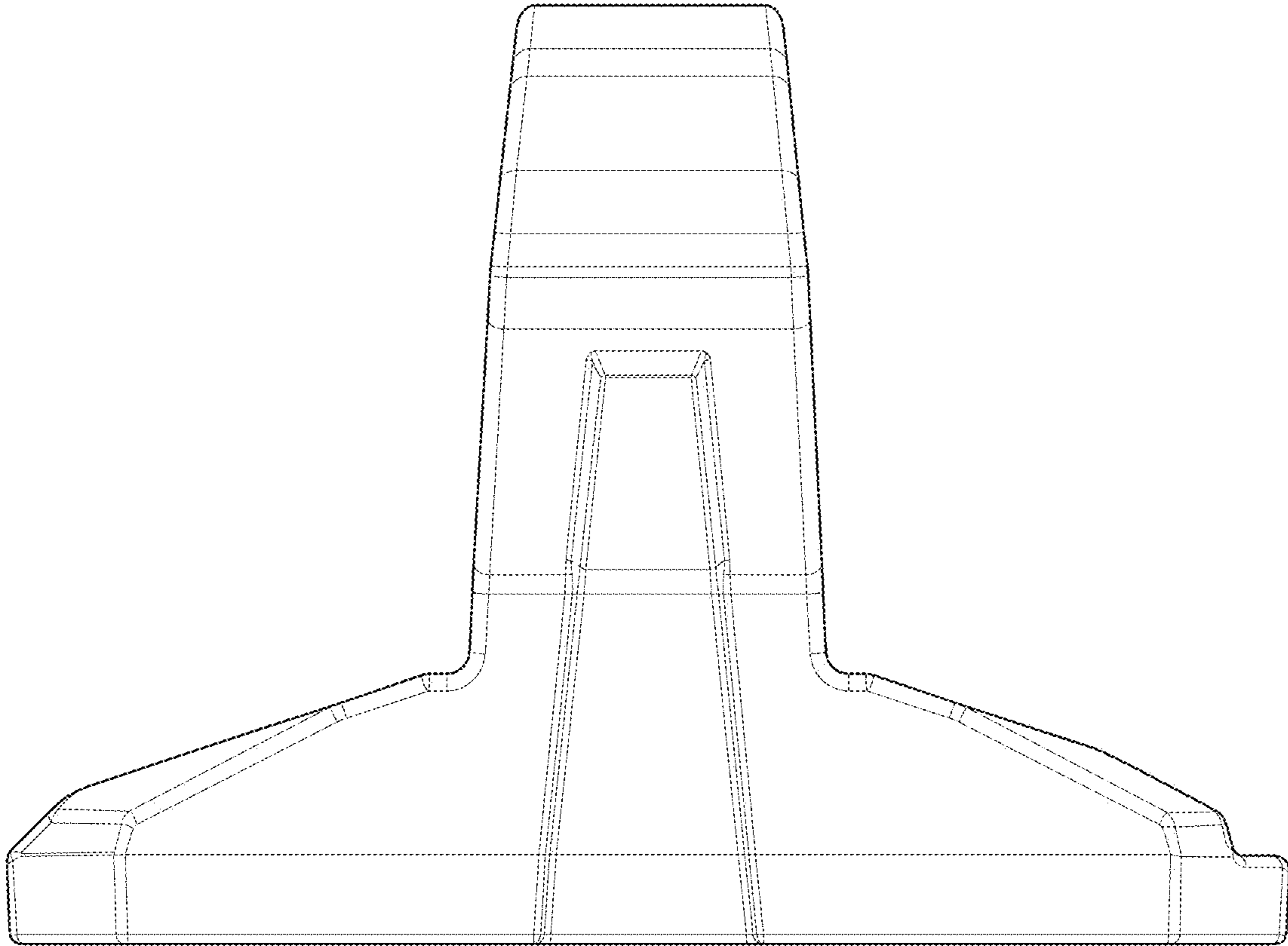


FIG. 8