

US00D960274S

(12) **United States Design Patent**
Moseley

(10) **Patent No.:** **US D960,274 S**

(45) **Date of Patent:** **** Aug. 9, 2022**

(54) **TRAINING BOARD**

(71) Applicant: **Dustin Moseley**, Little Rock, AR (US)

(72) Inventor: **Dustin Moseley**, Little Rock, AR (US)

(**) Term: **15 Years**

(21) Appl. No.: **29/707,720**

(22) Filed: **Sep. 30, 2019**

(51) **LOC (13) Cl.** **21-02**

(52) **U.S. Cl.**
USPC **D21/780**

(58) **Field of Classification Search**
USPC D21/668, 670, 671, 372, 692, 693, 694,
D21/703, 742, 743, 756, 780, 791, 792,
D21/793, 794, 796, 798
CPC A63B 69/00; A63B 59/50; A63B 57/353;
A63B 57/207
See application file for complete search history.

D691,687 S *	10/2013	Leonard	D21/791
D692,971 S *	11/2013	Alessandri	D21/694
D742,466 S *	11/2015	Jaguan	D21/780
D825,701 S *	8/2018	Berkley	D21/780
D837,324 S *	1/2019	Preston	D21/780
D842,946 S *	3/2019	Hetrick	D21/694
D864,316 S *	10/2019	Brown	D21/671
D865,098 S *	10/2019	Sunday	A63B 69/00
			D21/780
D870,828 S *	12/2019	Dicharry	D21/688
D905,186 S *	12/2020	Meredith	D21/780
D908,825 S *	1/2021	Beach	D21/694
D921,143 S *	6/2021	Ferrara	D21/780
D921,144 S *	6/2021	Ferrara	D21/780
D927,624 S *	8/2021	McHugh	D21/780

* cited by examiner

Primary Examiner — Mehri F Bajoul

(74) *Attorney, Agent, or Firm* — Mark Murphey Henry

(57) **CLAIM**

The ornamental design for a training board, as shown and described.

DESCRIPTION

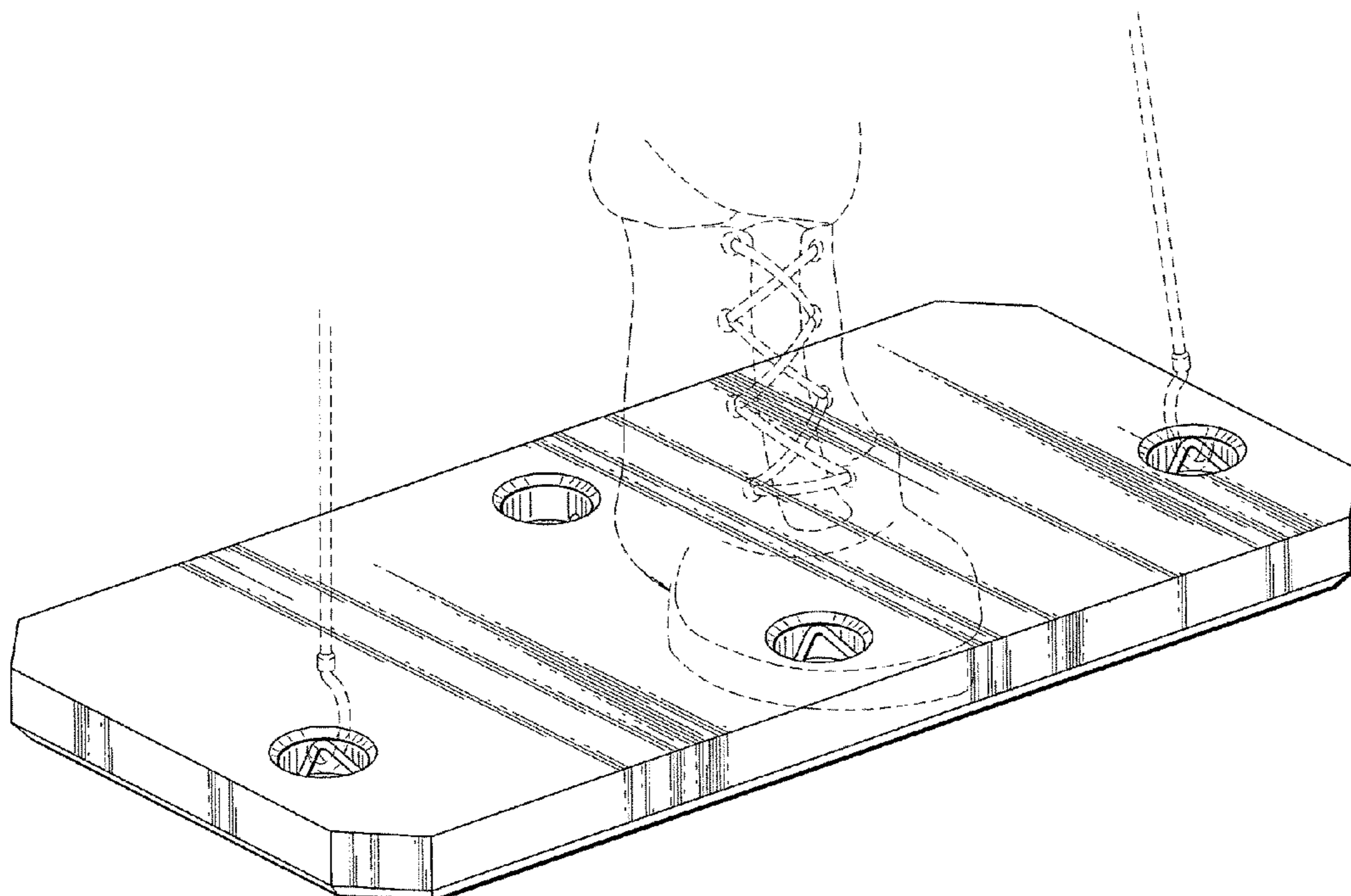
FIG. 1 is a perspective view of the training board in condition of use;
FIG. 2 is a top view of the training board;
FIG. 3 is a left side elevational view of the training board; with the right side being identical;
FIG. 4 is a front side elevational view of the training board; with the rear side being identical; and,
FIG. 5 is a bottom view of the training board.
The broken lines in the drawings depict environmental structure of the training board and form no part of the claimed design.

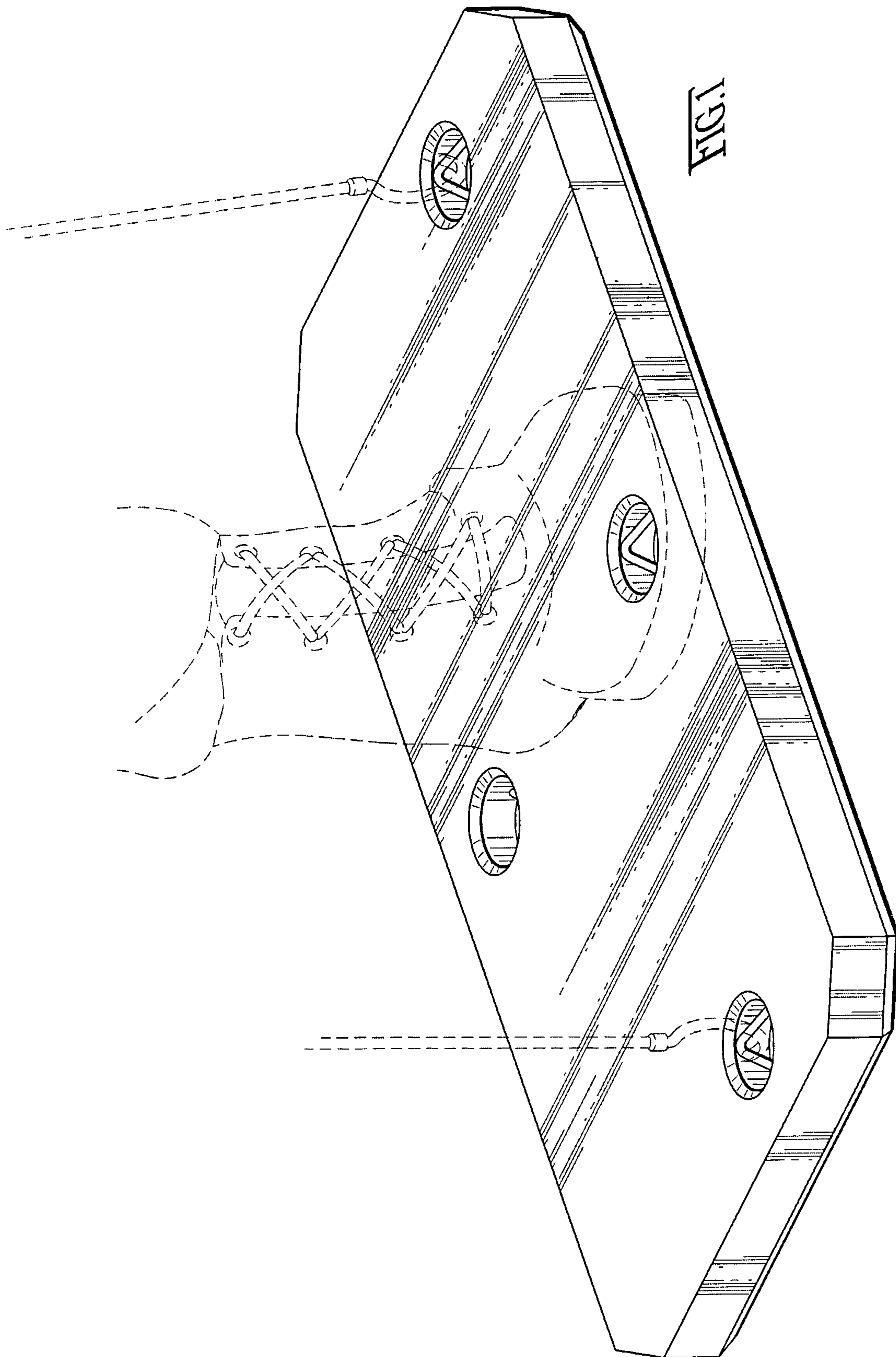
(56) **References Cited**

U.S. PATENT DOCUMENTS

D355,459 S *	2/1995	Cornelison	D21/780
D418,569 S *	1/2000	Murphy	D21/780
D476,052 S *	6/2003	Barth	D21/698
D505,705 S *	5/2005	Moriarity	D21/780
D534,232 S *	12/2006	Rathbun	D21/780
D538,373 S *	3/2007	Hedgepath	D21/780
D568,956 S *	5/2008	Wilson	D21/780
D620,064 S *	7/2010	McIntyre	D21/780
D622,799 S *	8/2010	Cameron	A63B 59/50
			D21/794
D634,385 S *	3/2011	Parrish, Jr.	D21/780
D670,348 S *	11/2012	Jacobson	D21/791
D671,607 S *	11/2012	Stogsdill	D21/780

1 Claim, 4 Drawing Sheets





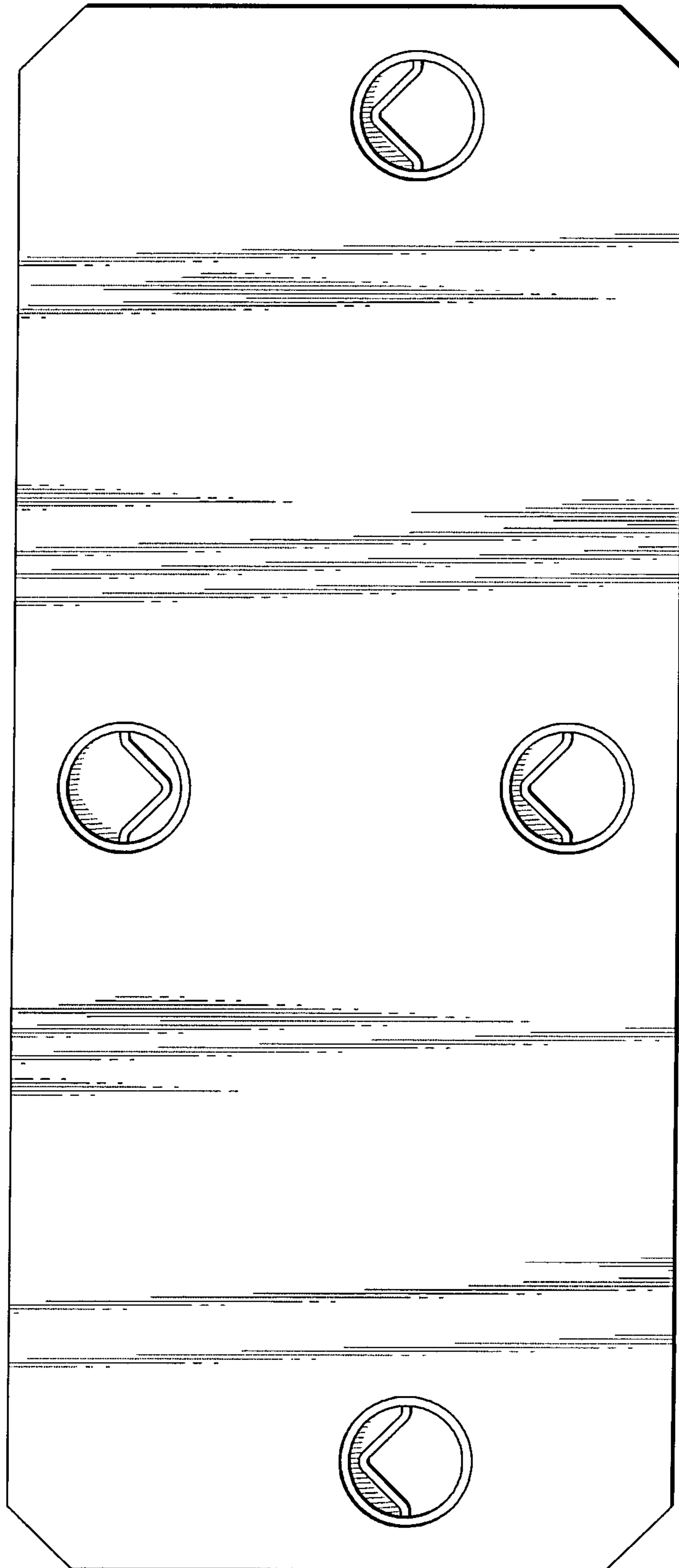


FIG. 2

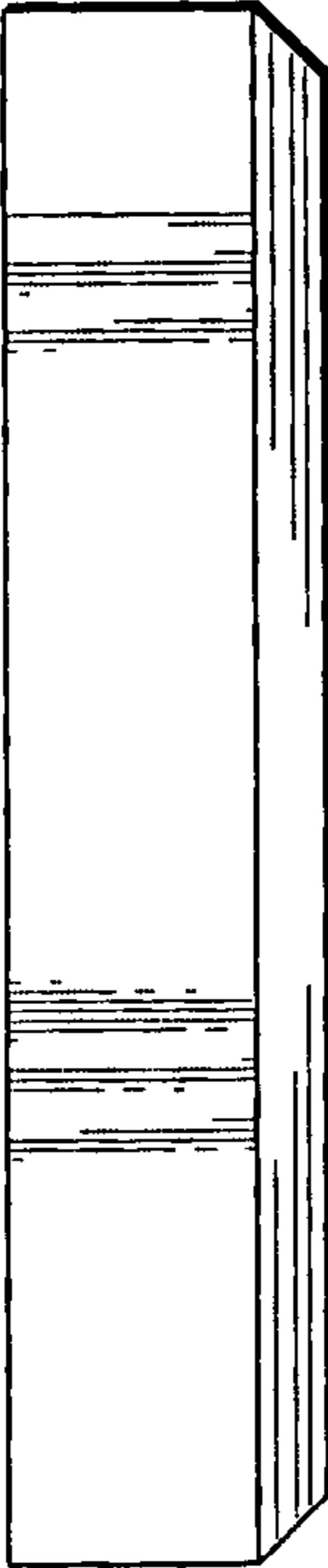


FIG. 3

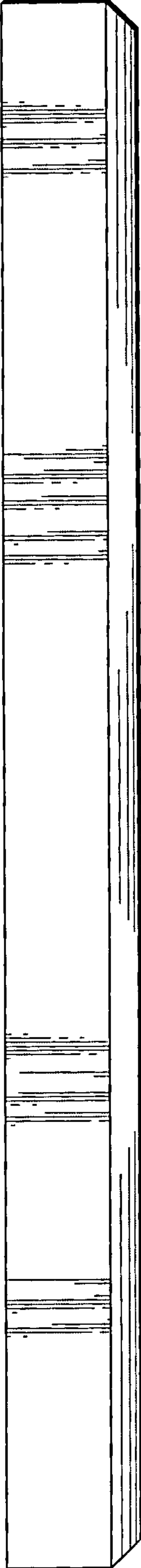


FIG. 4

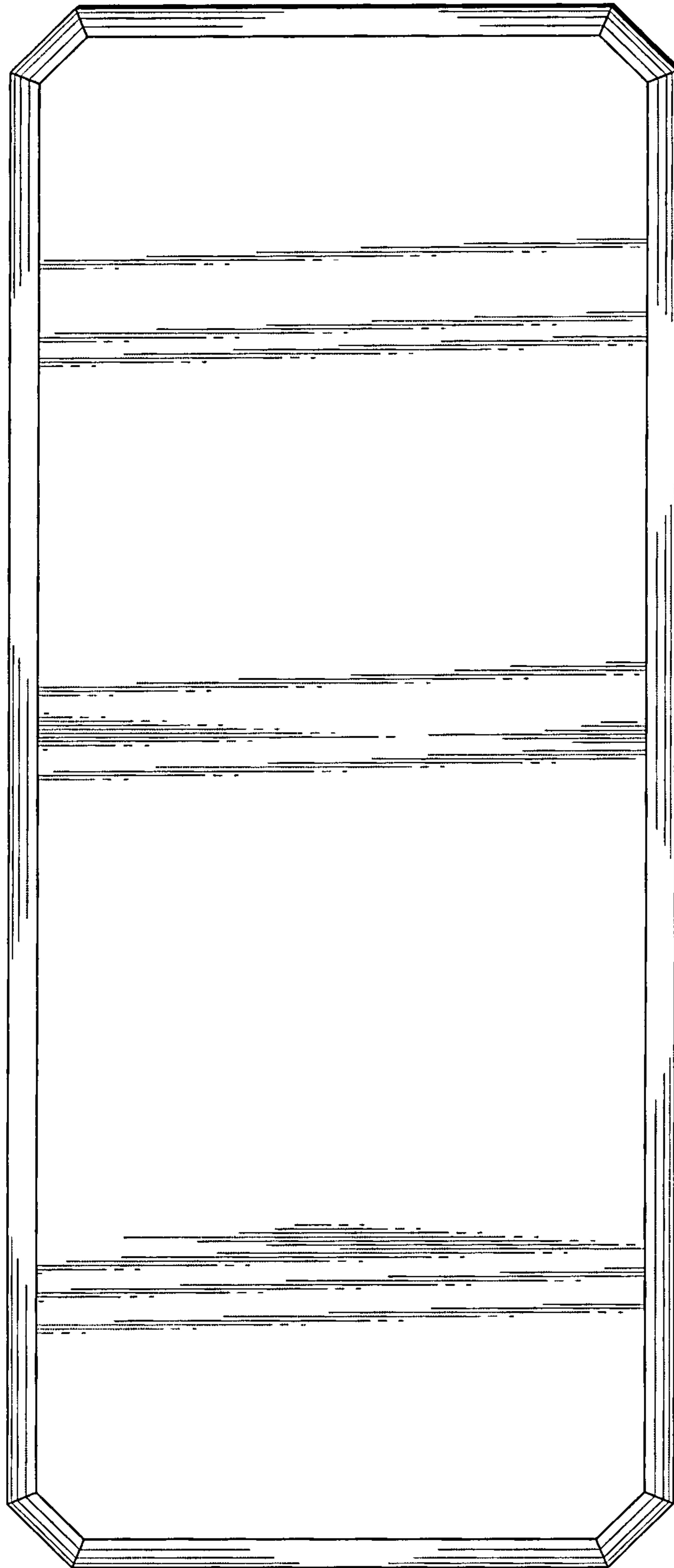


FIG. 5