



US00D960270S

(12) **United States Design Patent**
Wang et al.

(10) **Patent No.:** **US D960,270 S**
(45) **Date of Patent:** **** Aug. 9, 2022**

(54) **GOLF CLUB HEAD**

(71) Applicant: **KARSTEN MANUFACTURING CORPORATION**, Phoenix, AZ (US)

(72) Inventors: **Calvin S. Wang**, Chandler, AZ (US);
David A. Higdon, Cave Creek, AZ (US);
Anthony D. Serrano, Phoenix, AZ (US)

(73) Assignee: **Karsten Manufacturing Corporation**, Phoenix, AZ (US)

(**) Term: **15 Years**

(21) Appl. No.: **29/754,120**

(22) Filed: **Oct. 6, 2020**

(51) **LOC (13) Cl.** **21-02**

(52) **U.S. Cl.**
USPC **D21/744**

(58) **Field of Classification Search**
USPC D21/736-746, 752
CPC A63B 53/00; A63B 53/04; A63B 53/007;
A63B 53/065; A63B 53/0487; A63B
60/00; A63B 60/46
See application file for complete search history.

(56) **References Cited**

U.S. PATENT DOCUMENTS

| | | | | |
|---------------|---------|-------------|-------|--------------|
| D240,751 S * | 7/1976 | Taylor | | D21/734 |
| 4,659,083 A * | 4/1987 | Szczepanski | | A63B 69/3685 |
| | | | | D21/745 |
| D298,767 S * | 11/1988 | Szczepanski | | D21/744 |
| D316,129 S | 4/1991 | Bryson | | |
| D356,356 S * | 3/1995 | Jacobs | | D21/744 |
| D375,131 S | 10/1996 | Williams | | |
| D393,031 S * | 3/1998 | Cameron | | D21/745 |
| D399,900 S | 10/1998 | Hogan | | |
| D401,636 S * | 11/1998 | Duclos | | D21/742 |
| D405,137 S * | 2/1999 | Nelson | | D21/738 |

| | | |
|--------------|---------|-----------|
| 6,379,259 B1 | 4/2002 | Opie |
| D488,526 S | 4/2004 | Souza |
| D496,417 S | 9/2004 | Tang |
| D500,109 S | 12/2004 | Solheim |
| D500,110 S | 12/2004 | Solheim |
| 6,837,801 B1 | 1/2005 | Souza |
| 6,878,071 B1 | 4/2005 | Schweiger |
| 6,893,355 B2 | 5/2005 | Souza |
| 6,902,496 B2 | 6/2005 | Solheim |
| D507,317 S | 7/2005 | Gamer |
| D507,612 S | 7/2005 | Souza |
| D508,273 S | 8/2005 | Gamer |
| 6,926,615 B1 | 8/2005 | Souza |
| 6,960,140 B2 | 11/2005 | Solheim |
| 6,966,845 B2 | 11/2005 | Solheim |
| D520,584 S | 5/2006 | Karlsen |
| D521,582 S | 5/2006 | Souza |

(Continued)

FOREIGN PATENT DOCUMENTS

JP 1587422 10/2017

Primary Examiner — Mitchell I. Siegel

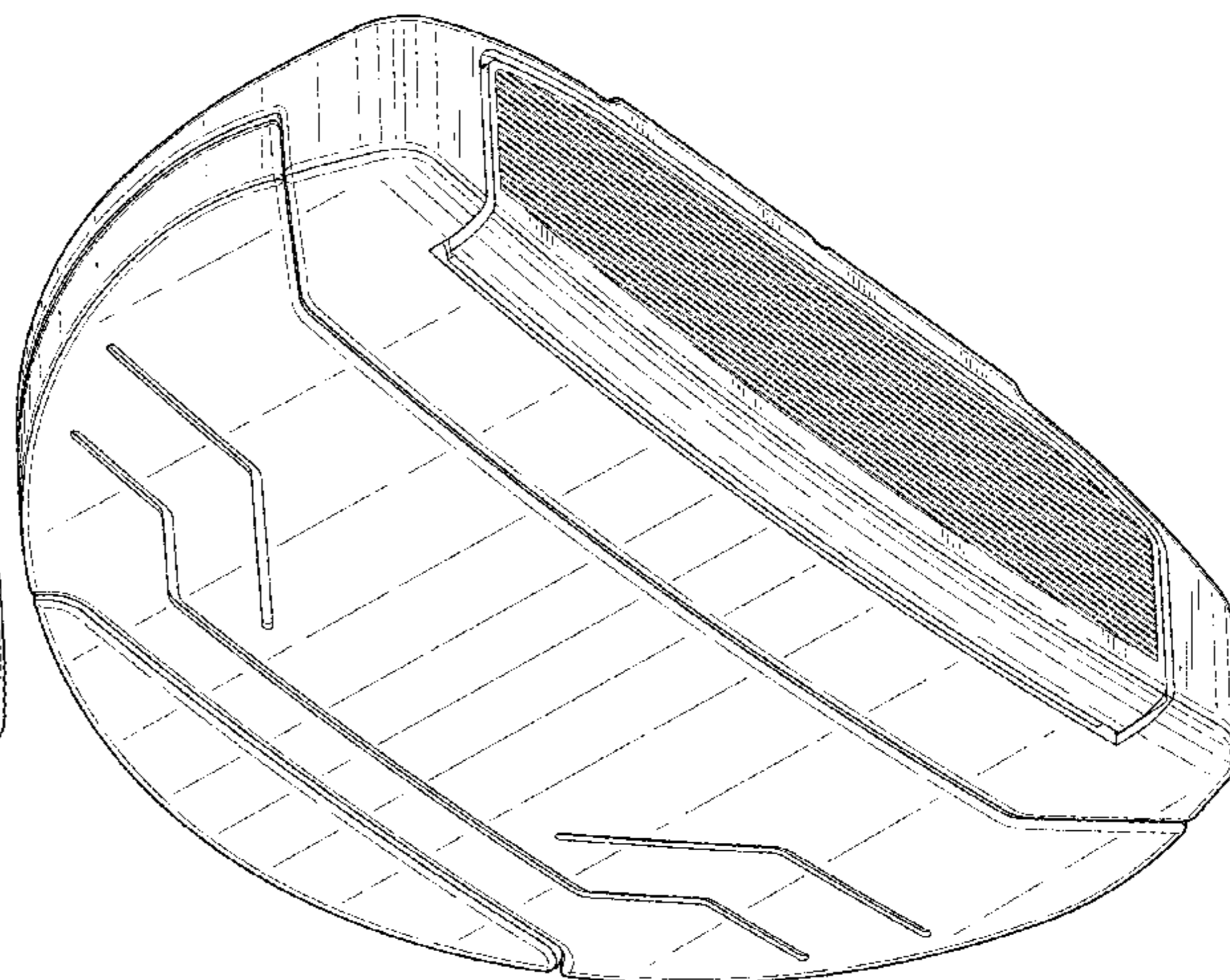
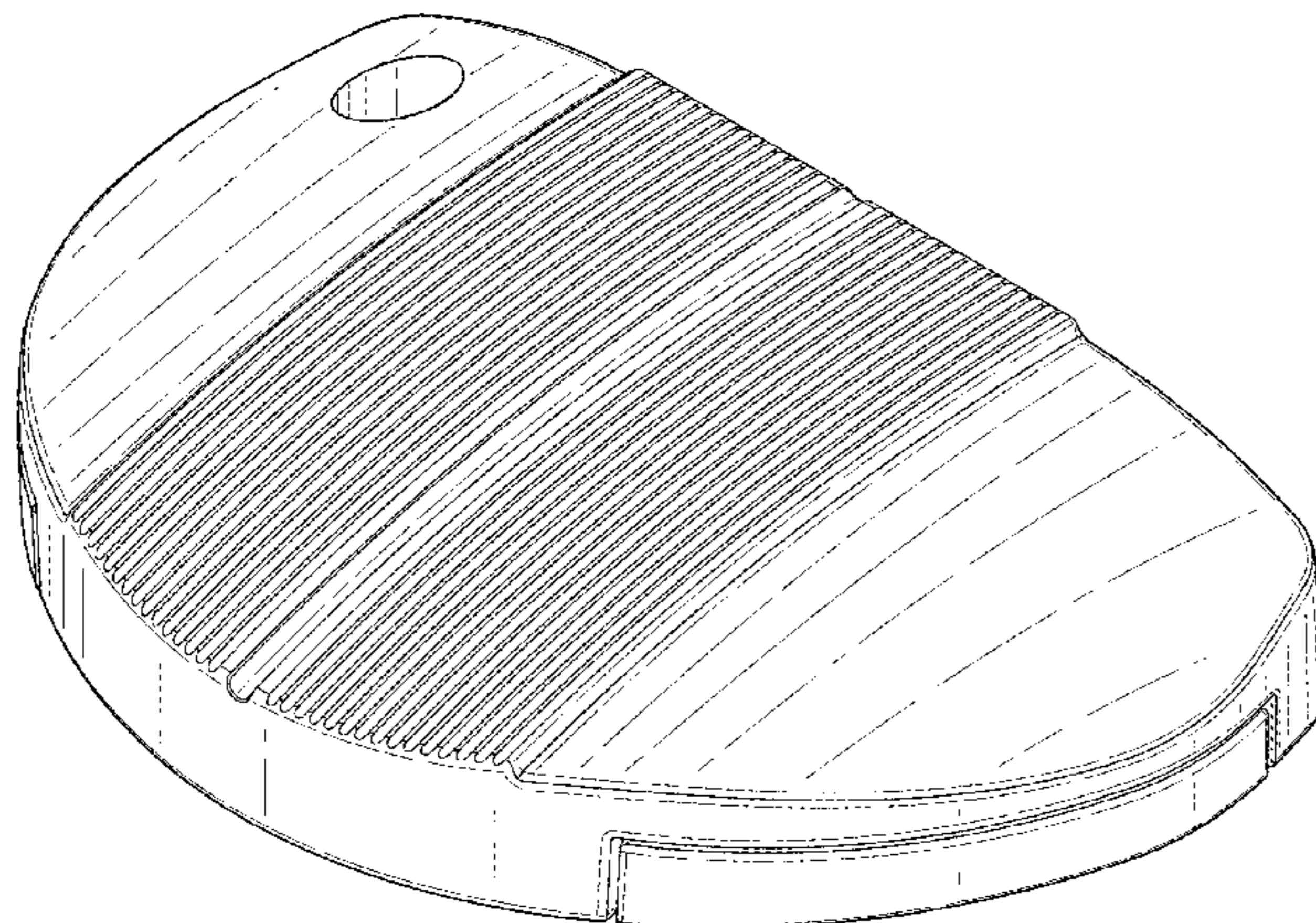
(57) **CLAIM**

The ornamental design for a golf club head, as shown and described.

DESCRIPTION

FIG. 1 is a top perspective view of a golf club head;
FIG. 2 is a bottom perspective view of the golf club head of FIG. 1;
FIG. 3 is a top view of the golf club head of FIG. 1;
FIG. 4 is a bottom view of the golf club head of FIG. 1;
FIG. 5 is a front view of the golf club head of FIG. 1;
FIG. 6 is a rear view of the golf club head of FIG. 1;
FIG. 7 is a heel side view of the golf club head of FIG. 1;
and,
FIG. 8 is a toe side view of the golf club head of FIG. 1.
The broken lines shown on the drawings form no part of the claimed design.

1 Claim, 6 Drawing Sheets



(56)

References Cited

U.S. PATENT DOCUMENTS

| | | | | | | |
|--------------|---------|---------------|-----------------|---------|-----------------|---------|
| 7,052,411 B2 | 5/2006 | Solheim | D621,462 S | 8/2010 | Serrano | |
| D522,598 S | 6/2006 | Solheim | D621,891 S | 8/2010 | Serrano | |
| 7,077,758 B2 | 7/2006 | Rohrer | D623,710 S | 9/2010 | Hilton | |
| 7,086,957 B2 | 8/2006 | Solheim | 7,803,066 B2 | 9/2010 | Solheim | |
| D527,777 S | 9/2006 | Solheim | D638,891 S | 5/2011 | Nicolette | |
| D529,108 S | 9/2006 | Stites | D643,080 S | 8/2011 | Serrano | |
| D533,243 S | 12/2006 | Fife, Jr. | D643,485 S | 8/2011 | Nicolette | |
| 7,235,021 B2 | 6/2007 | Solheim | D643,486 S | 8/2011 | Serrano | |
| D548,295 S | 8/2007 | Jertson | D643,487 S | 8/2011 | Serrano | |
| 7,255,650 B2 | 8/2007 | Bryant | 8,100,779 B2 | 1/2012 | Solheim | |
| D552,197 S | 10/2007 | Wells | D653,718 S | 2/2012 | Stokke | |
| D557,361 S | 12/2007 | Rollinson | 8,109,838 B2 | 2/2012 | Solheim | |
| D565,137 S | 3/2008 | Oldknow | D664,617 S | 7/2012 | Serrano | |
| D569,460 S | 4/2008 | Walker et al. | D715,388 S * | 10/2014 | Serrano | D21/743 |
| D569,462 S | 5/2008 | Rollinson | D750,186 S | 2/2016 | Schweigert | |
| 7,374,497 B2 | 5/2008 | Brown | D774,607 S | 12/2016 | Serrano | |
| D571,420 S * | 6/2008 | Stites | D774,610 S | 12/2016 | Serrano | |
| D571,879 S | 6/2008 | Jones et al. | D783,101 S | 4/2017 | Schweigert | |
| D574,907 S | 8/2008 | Jones et al. | D793,502 S | 8/2017 | Cardani | |
| D575,366 S | 8/2008 | Rollinson | D797,222 S * | 9/2017 | Serrano | D21/744 |
| D581,473 S | 11/2008 | Thomas | D832,950 S * | 11/2018 | Serrano | D21/746 |
| D583,003 S | 12/2008 | Solheim | 10,124,221 B2 | 11/2018 | Rollinson | |
| D587,325 S | 2/2009 | Solheim | D840,482 S | 2/2019 | Serrano | |
| D594,073 S | 6/2009 | Kadoya | D842,952 S | 3/2019 | Schweigert | |
| D595,793 S | 7/2009 | Rollinson | D848,562 S | 5/2019 | Nicolette | |
| D600,760 S | 9/2009 | Serrano | D852,911 S | 7/2019 | Wang | |
| D600,761 S | 9/2009 | Solheim | D861,092 S | 9/2019 | Glorioso | |
| D600,762 S | 9/2009 | Serrano | D865,091 S * | 10/2019 | Rollinson | D21/744 |
| D607,950 S | 1/2010 | Souza | D898,848 S * | 10/2020 | Clarke | D21/743 |
| D621,458 S | 8/2010 | Serrano | D905,185 S * | 12/2020 | Rollinson | D21/759 |
| D621,460 S | 8/2010 | Serrano | D929,516 S * | 8/2021 | Wang | D21/744 |
| D621,461 S | 8/2010 | Serrano | D934,363 S * | 10/2021 | Serrano | D21/746 |
| | | | 2006/0094533 A1 | 5/2006 | Warren | |
| | | | 2007/0191135 A1 | 8/2007 | Nilsson | |
| | | | 2010/0227704 A1 | 9/2010 | Souza | |

* cited by examiner

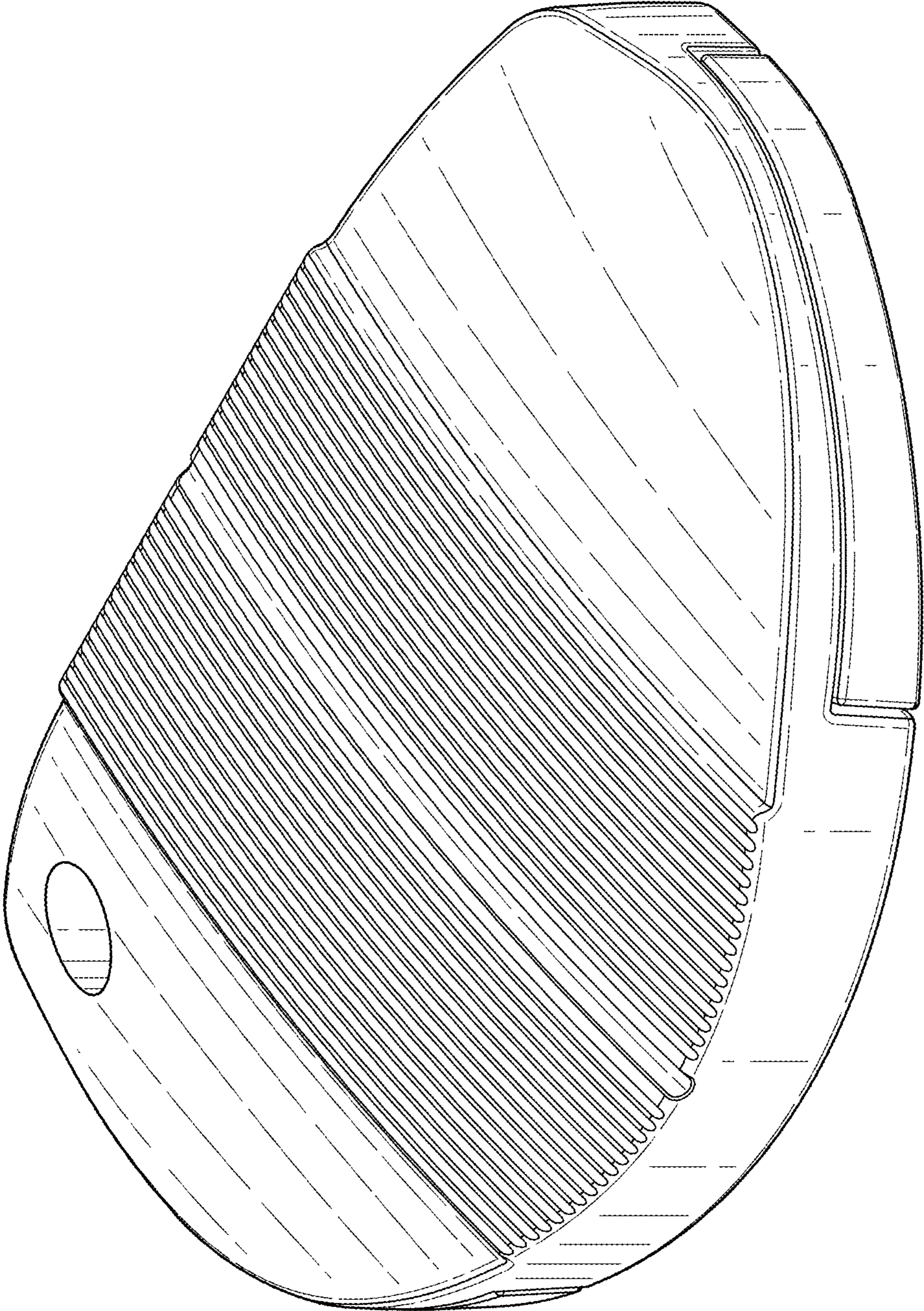


FIG. 1

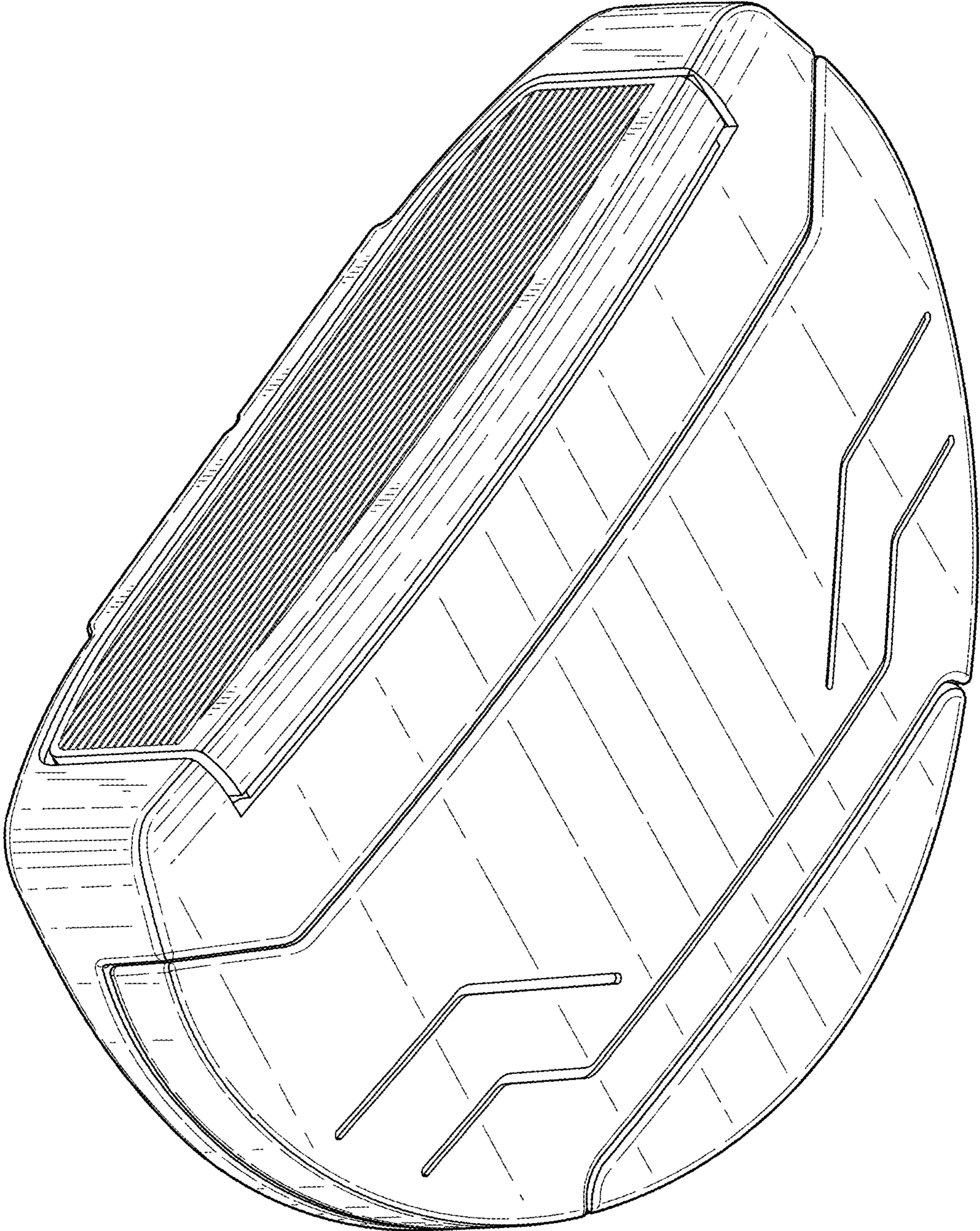


FIG. 2

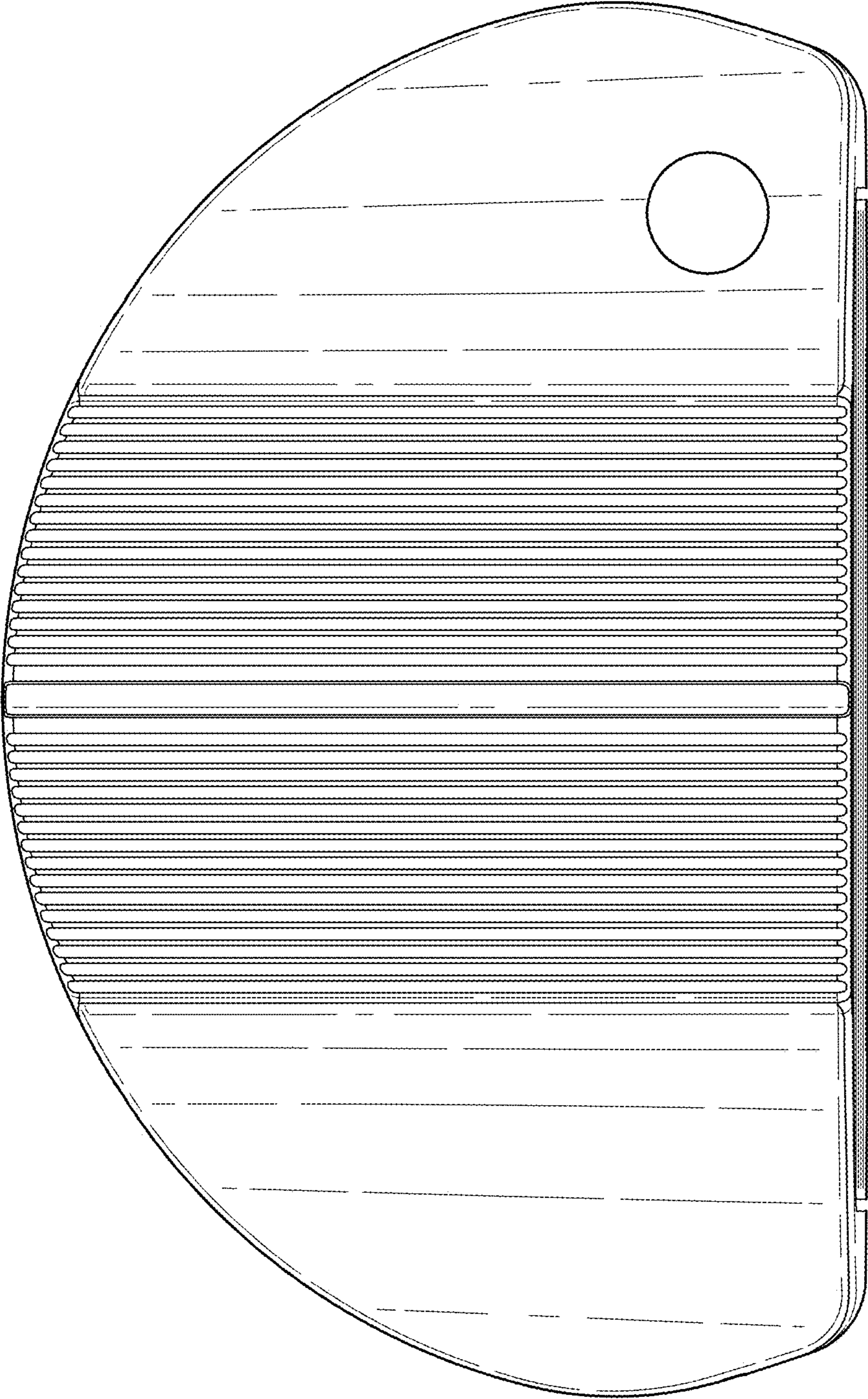


FIG. 3

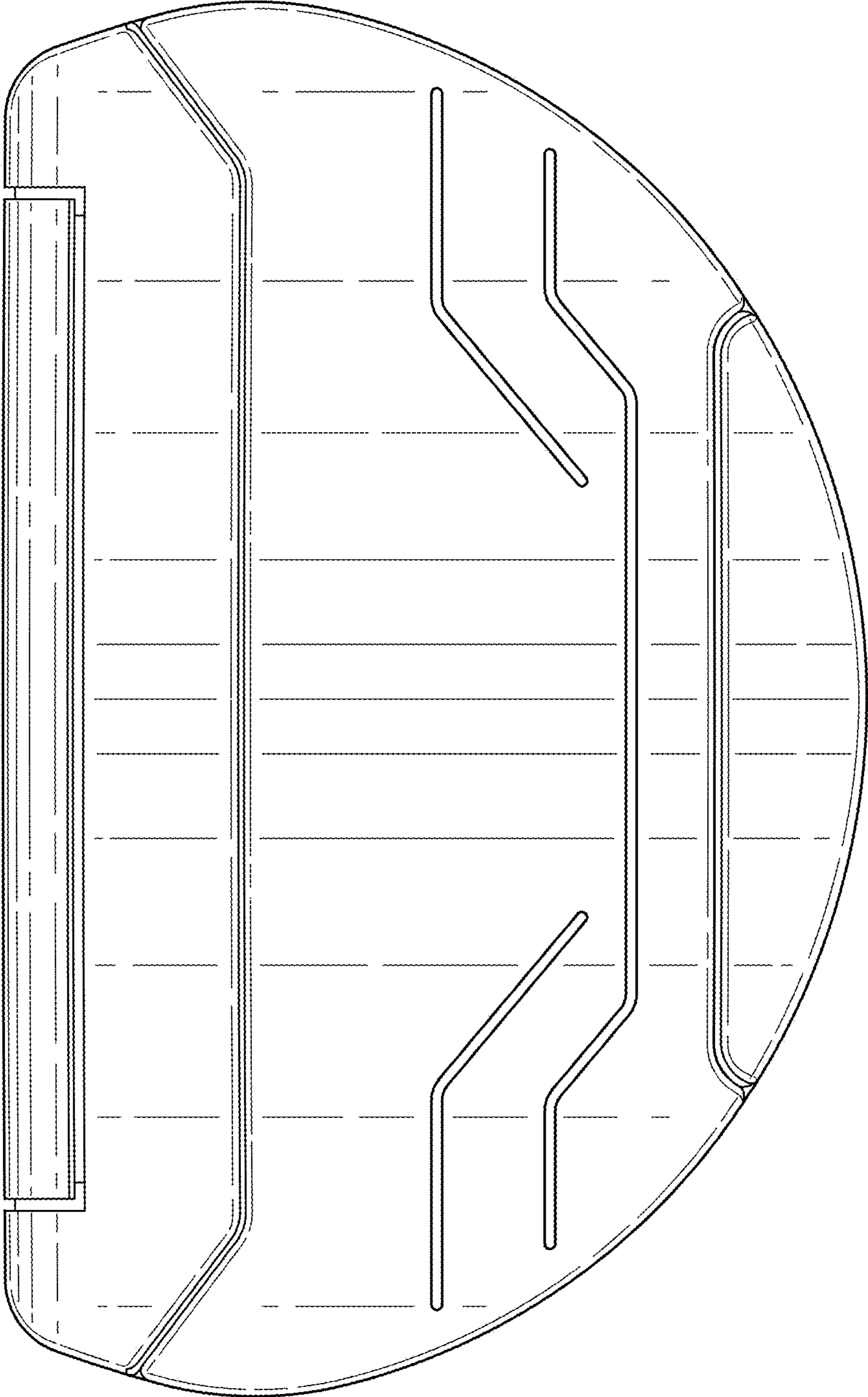


FIG. 4

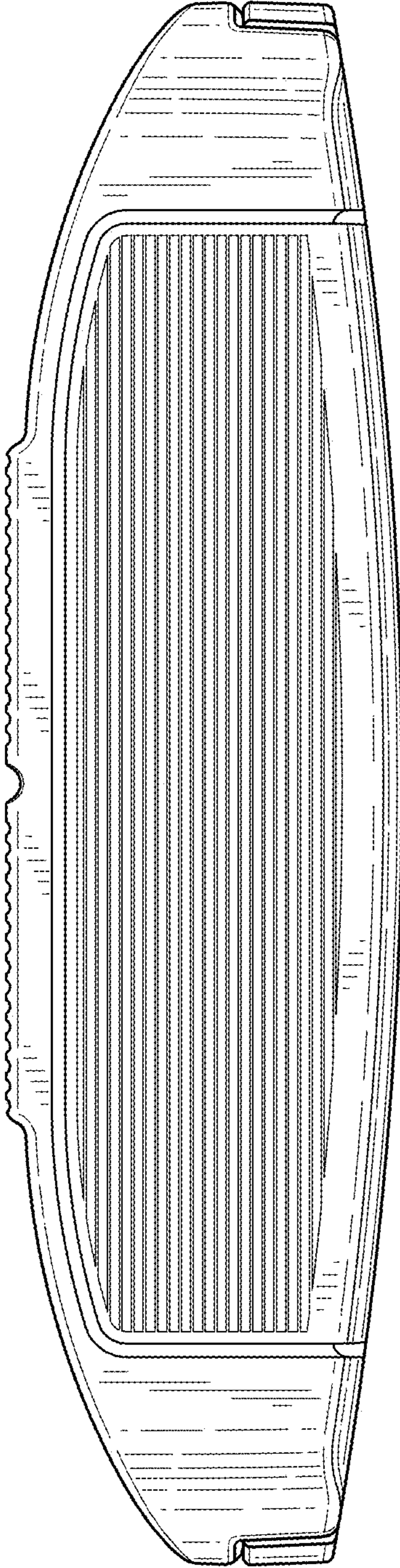


FIG. 5

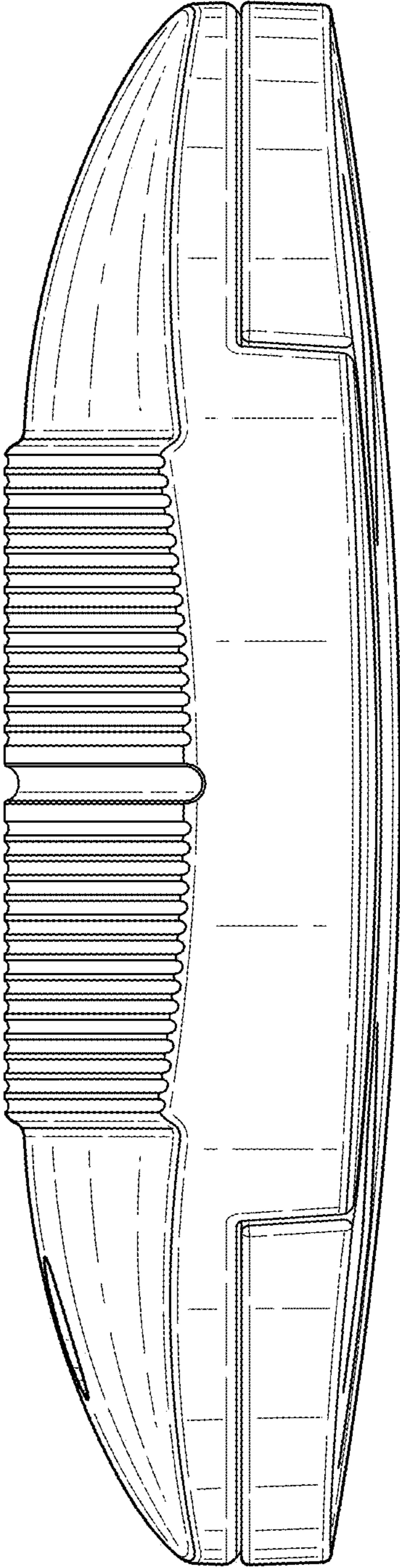


FIG. 6

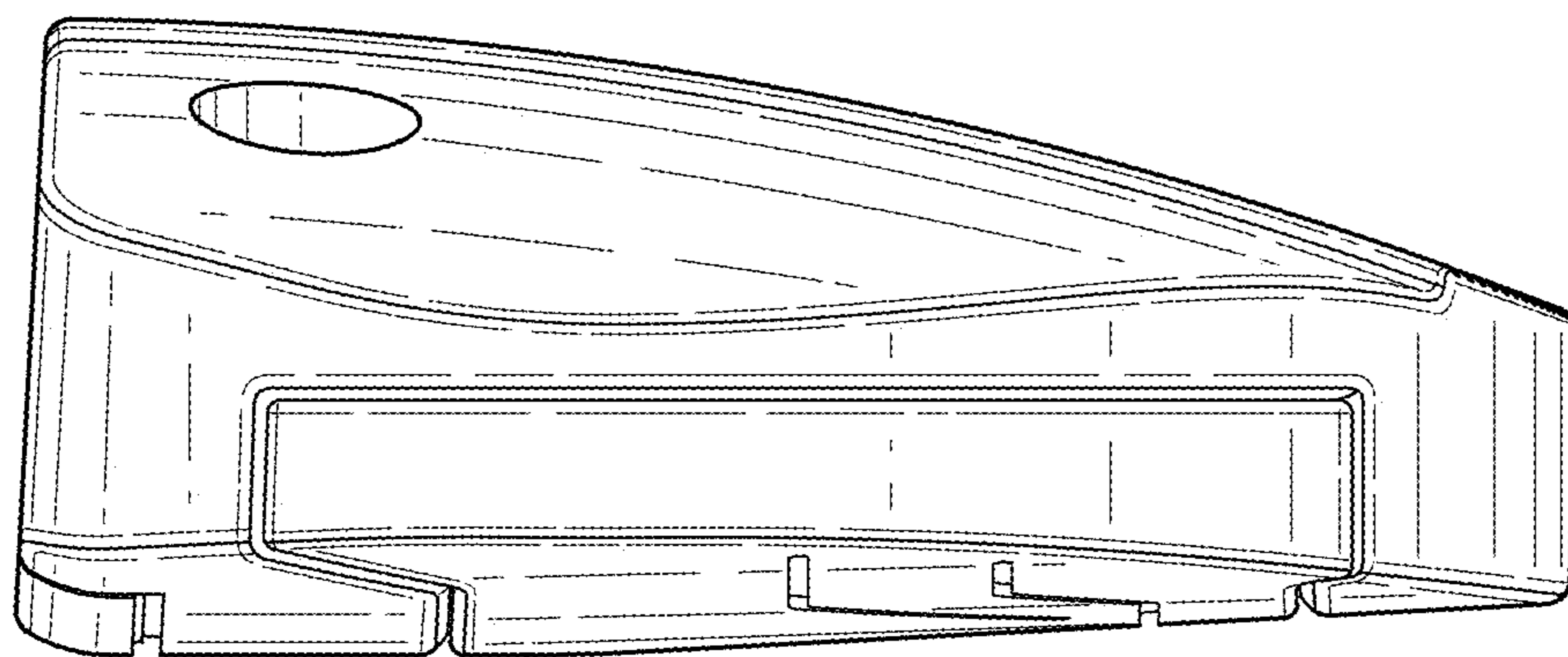


FIG. 7

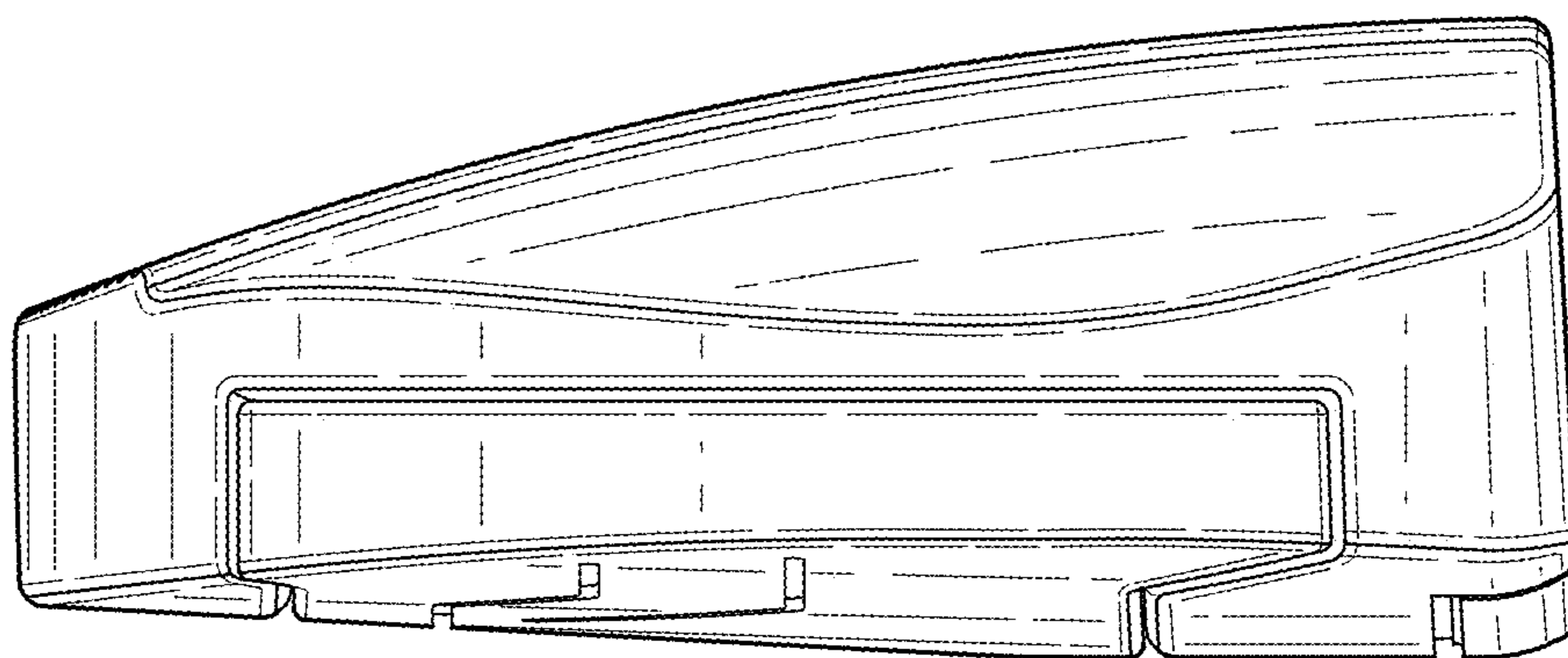


FIG. 8