



US00D960265S

(12) **United States Design Patent** (10) **Patent No.:** **US D960,265 S**  
**Zhu** (45) **Date of Patent:** **\*\* Aug. 9, 2022**

(54) **POOL BASKETBALL HOOP**

(71) Applicant: **Qin Zhu**, Jiangxi (CN)

(72) Inventor: **Qin Zhu**, Jiangxi (CN)

(\*\*) Term: **15 Years**

(21) Appl. No.: **29/763,457**

(22) Filed: **Dec. 22, 2020**

(30) **Foreign Application Priority Data**

Dec. 15, 2020 (EM) ..... 008322275-0001

(51) **LOC (13) Cl.** ..... **21-02**

(52) **U.S. Cl.**  
USPC ..... **D21/702**; D21/701

(58) **Field of Classification Search**  
USPC ..... D21/301-305, 473, 699, 701-705, 781,  
D21/801, 803; 273/348, 350, 398,  
273/400-402, 404, 407, 408; 473/466,  
473/476, 479-489  
CPC . A63B 63/00; A63B 63/007; A63B 2063/002;  
A63B 2063/06; A63B 2063/08; A63B  
2063/083; A63B 63/06; A63B 63/08;  
A63F 2009/0026; A63F 2009/0083; A63F  
2009/0086; A63F 2009/0213; A63F  
2250/205; A63H 23/00; A63H 23/10;  
A63H 23/16

See application file for complete search history.

(56) **References Cited**

**U.S. PATENT DOCUMENTS**

- 3,469,844 A \* 9/1969 Sindelar ..... A63B 63/083  
273/350
- 3,656,749 A \* 4/1972 Reyes ..... A63B 63/08  
473/485
- D235,361 S \* 6/1975 Benton ..... D21/702
- D264,740 S \* 6/1982 Merino ..... D21/702
- 4,653,646 A \* 3/1987 Allen ..... A63B 63/083  
206/315.1

- 4,715,599 A \* 12/1987 Raymond ..... A63B 63/083  
248/205.1
- 4,759,545 A \* 7/1988 Grable ..... A63B 63/083  
248/188.1
- 4,762,319 A \* 8/1988 Krumholz ..... A63B 63/08  
273/400

(Continued)

**FOREIGN PATENT DOCUMENTS**

- AR 71813-0001 \* 1/2004
- CN 302233141 \* 12/2012

(Continued)

**OTHER PUBLICATIONS**

GoSports Splash Hoop 360 & Splash Pass Floating Pool Games featured on webpage: <<https://www.amazon.in/GoSports-Splash-Hoop-Floating-Games/dp/B08P513F3T>> Date first available: Jan. 14, 2020 [Accessed May 8, 2021] (Year: 2021).\*

*Primary Examiner* — Catherine A Tuttle  
(74) *Attorney, Agent, or Firm* — ScienBiziP, P.C.

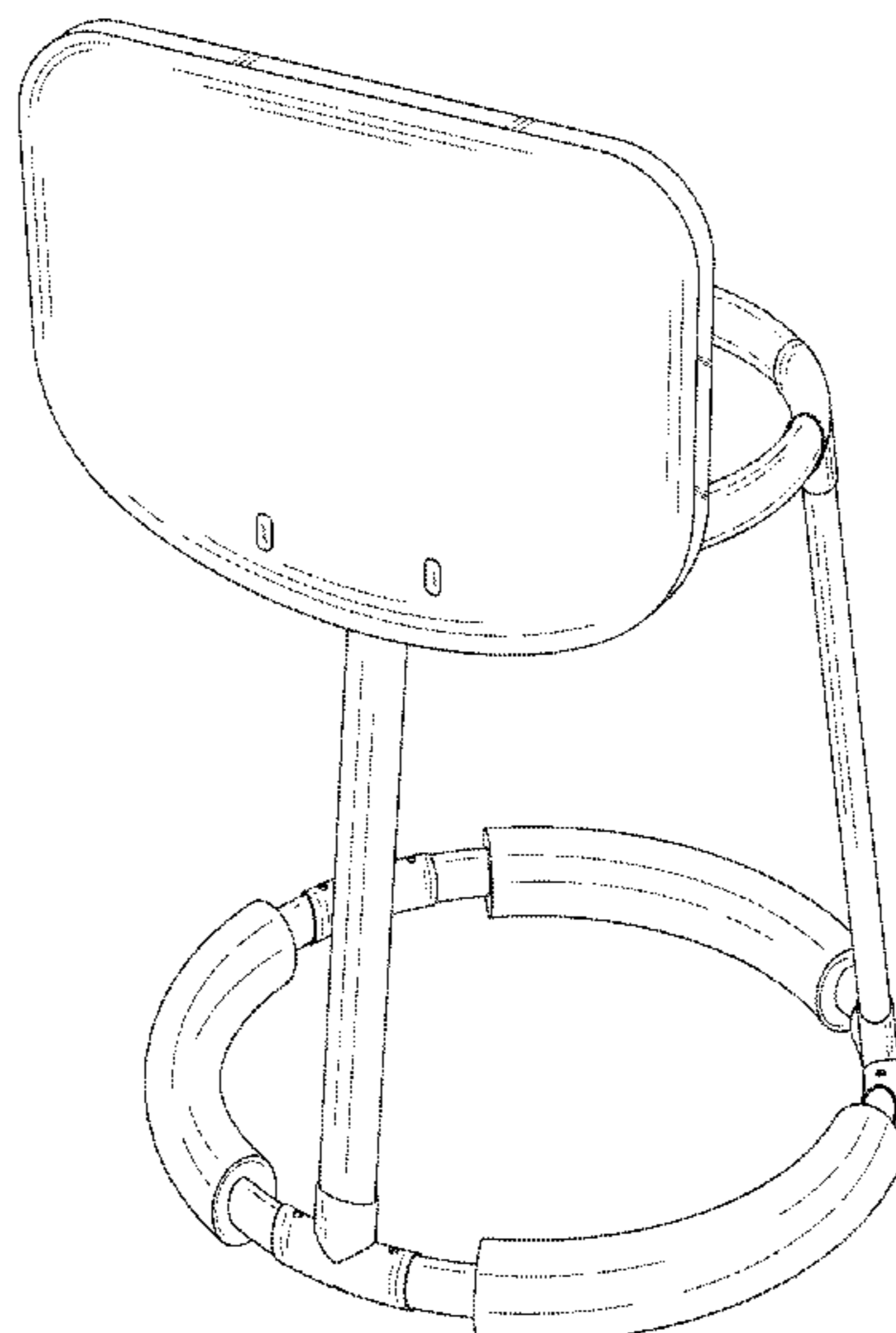
(57) **CLAIM**

The ornamental design for a pool basketball hoop, as shown and described.

**DESCRIPTION**

FIG. 1 is a right and front perspective view of a pool basketball hoop, showing my design.  
FIG. 2 is a front elevation view thereof.  
FIG. 3 is a rear elevation view thereof.  
FIG. 4 is a left side elevation thereof.  
FIG. 5 is a right side elevation thereof.  
FIG. 6 is a top plan view thereof; and,  
FIG. 7 is a bottom plan view thereof.  
The broken lines shown in the drawings are included for the purpose of illustrating portions of the pool basketball hoop that form no part of the claimed design.

**1 Claim, 7 Drawing Sheets**



(56)

**References Cited**

U.S. PATENT DOCUMENTS

D302,992 S \* 8/1989 Scott, III ..... D21/702  
D322,104 S \* 12/1991 Sephton ..... D21/702  
D338,934 S \* 8/1993 Vander Weide ..... D21/702  
5,505,645 A \* 4/1996 Engler, Jr. .... A45B 23/00  
135/16  
5,611,531 A \* 3/1997 Skerlan ..... A63B 63/00  
273/389  
D722,119 S 2/2015 Nguyen  
D736,321 S \* 8/2015 Shadle ..... D21/302  
D874,588 S 2/2020 Hebert  
2003/0171171 A1\* 9/2003 Fair ..... A63B 63/083  
473/483  
2004/0102260 A1\* 5/2004 Chia ..... A63B 67/06  
473/472  
2005/0197197 A1\* 9/2005 Scott ..... A63B 63/08  
473/173

FOREIGN PATENT DOCUMENTS

CN 302327332 \* 2/2013  
GB 9008322275-0001 \* 12/2020  
JP D1285170 \* 11/2006

\* cited by examiner

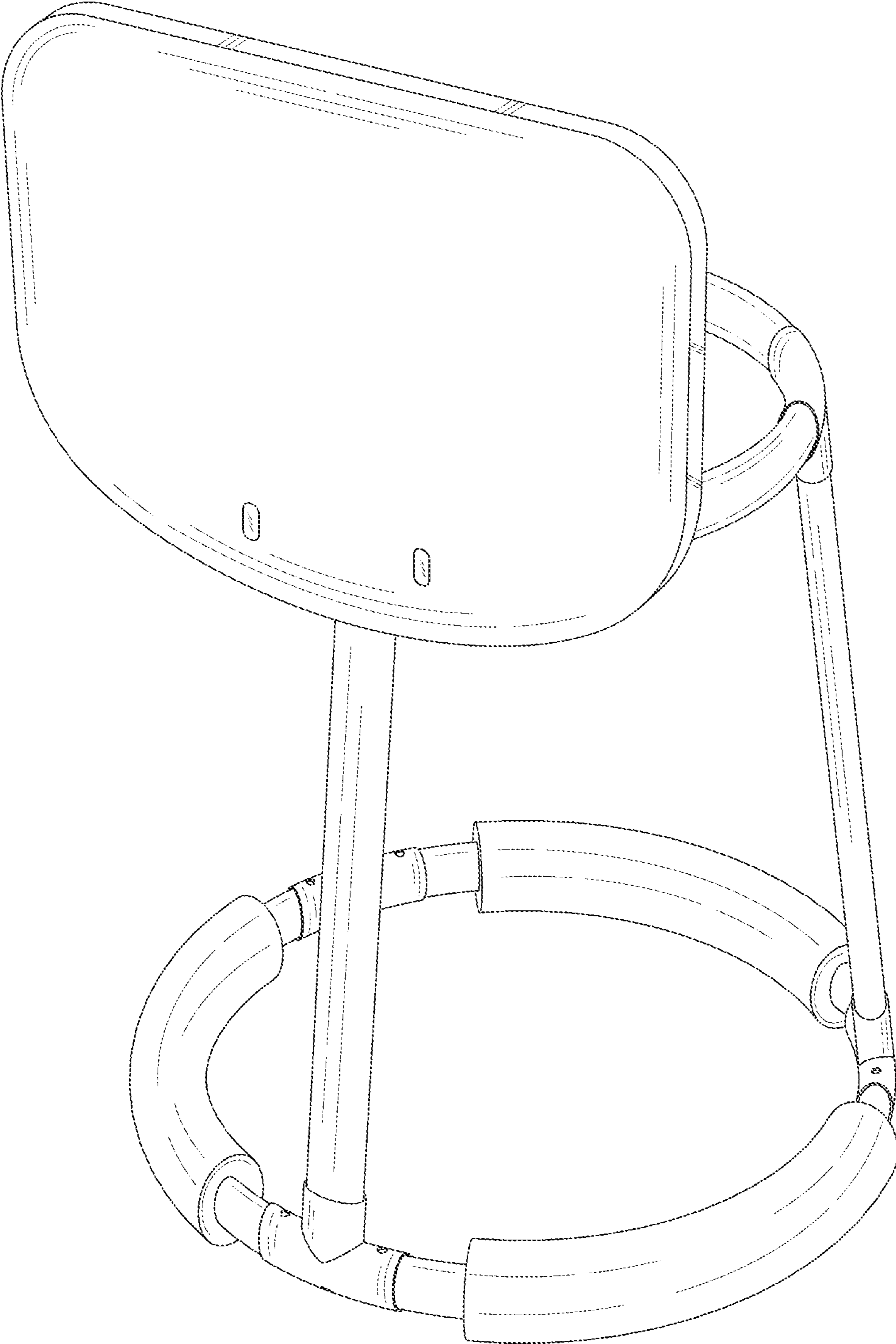


FIG. 1

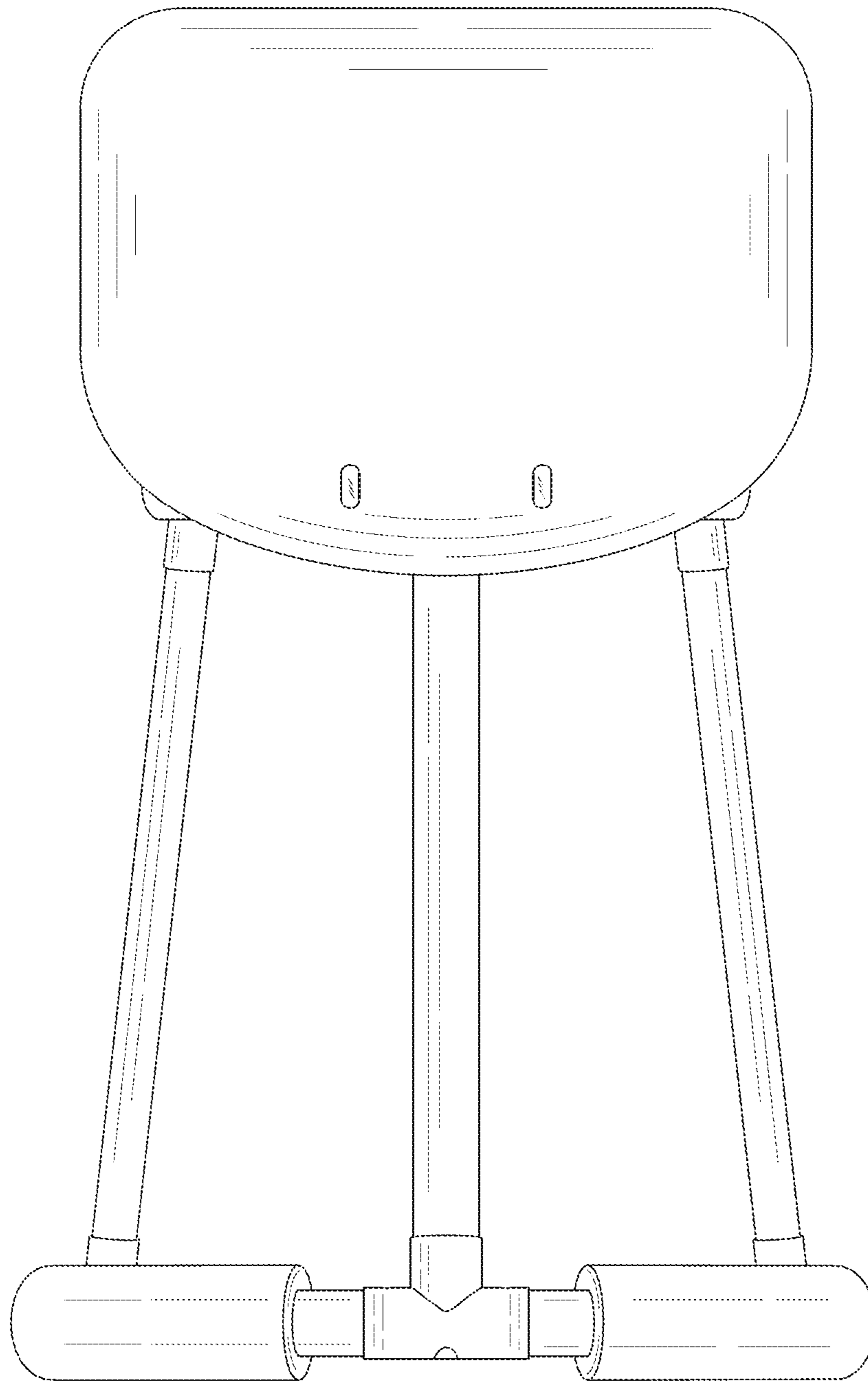


FIG.2

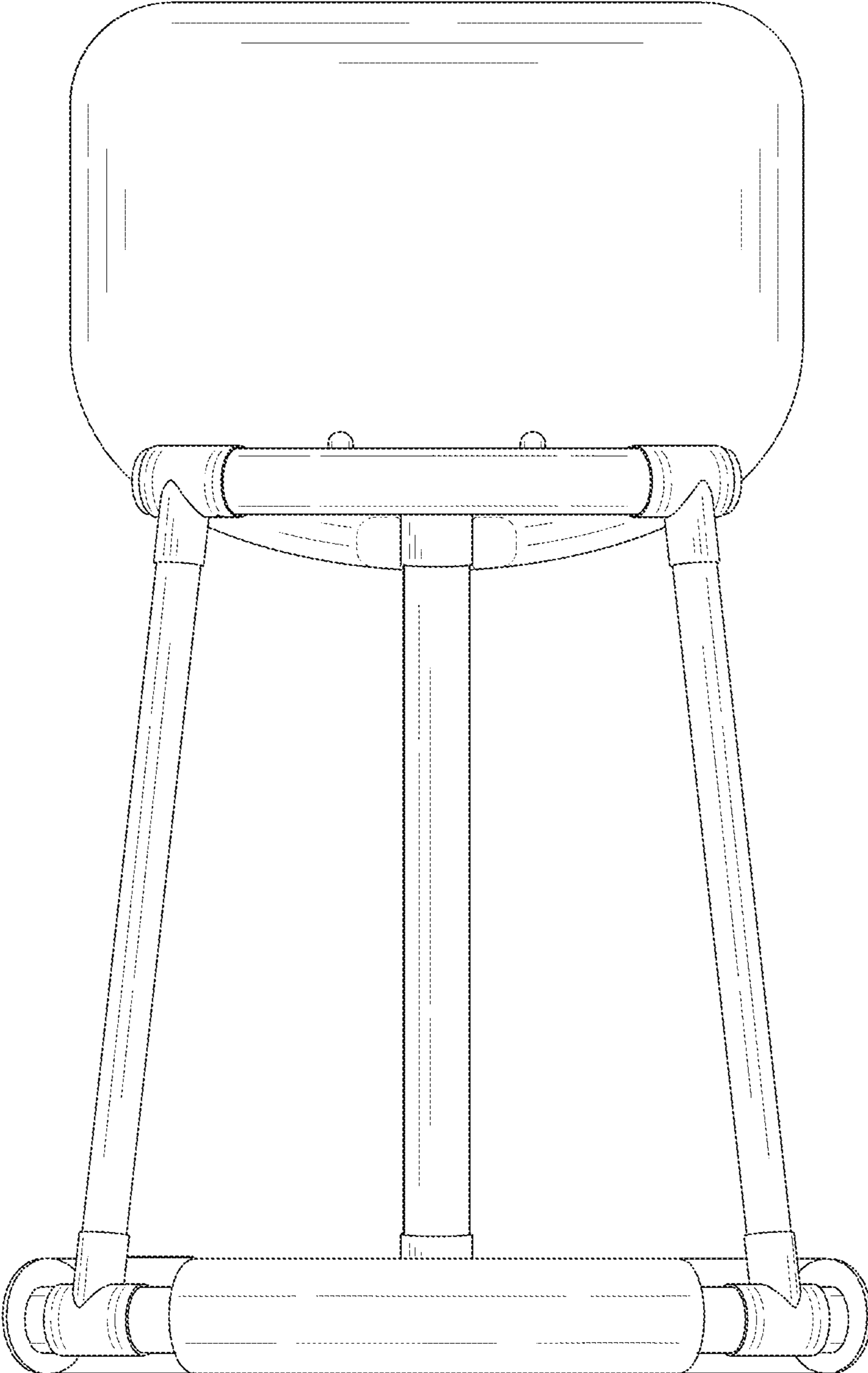


FIG. 3

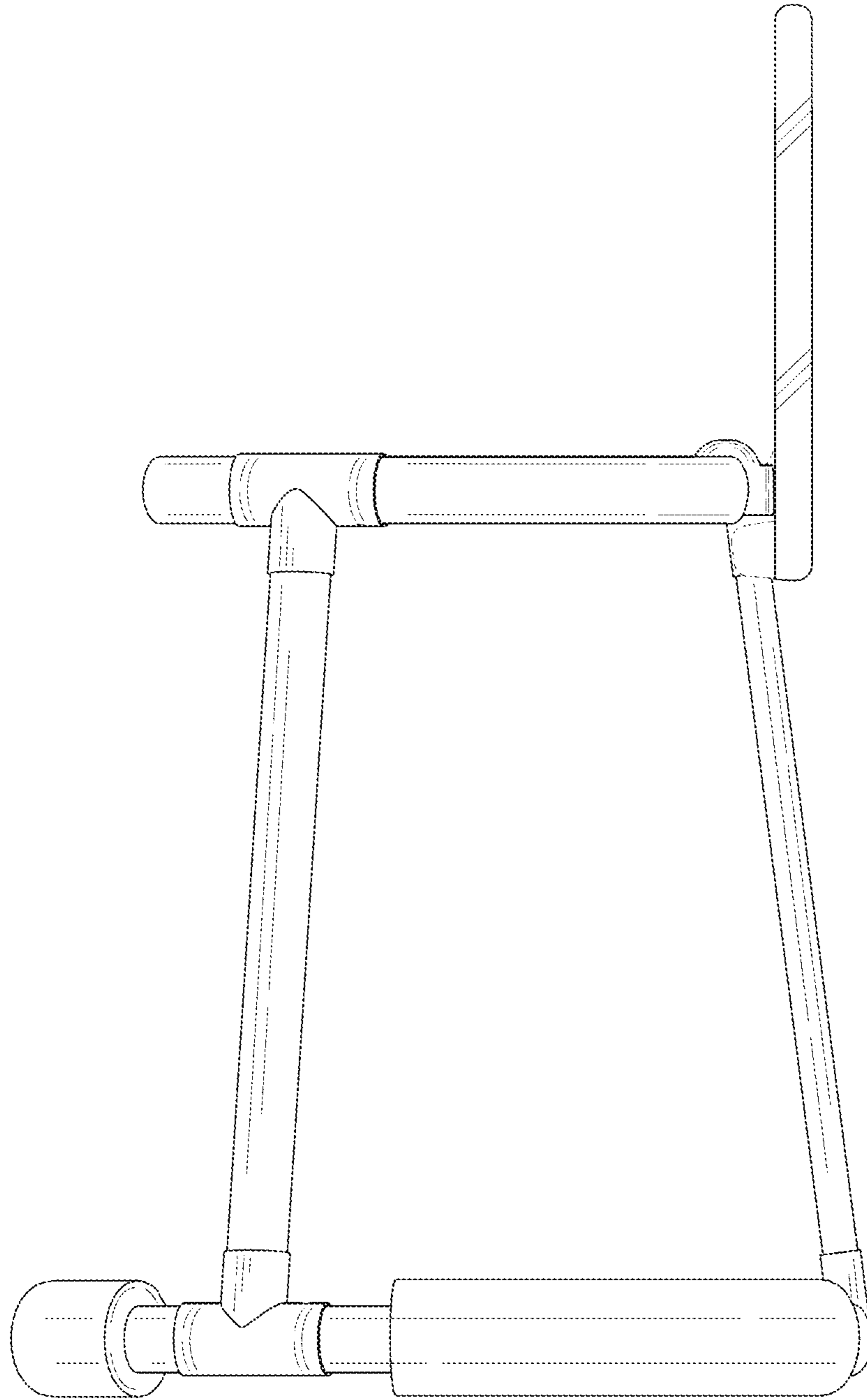


FIG. 4



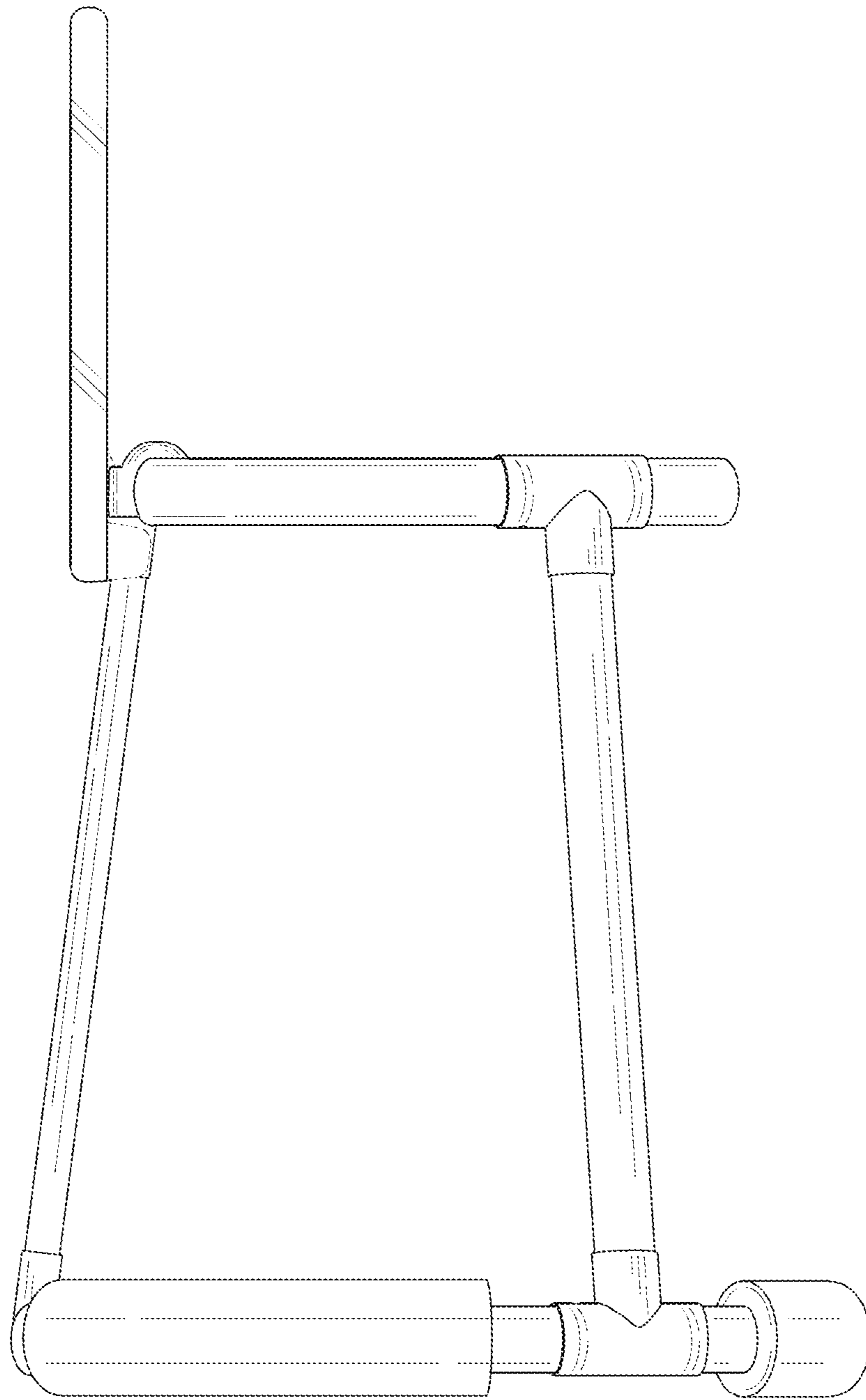


FIG. 5

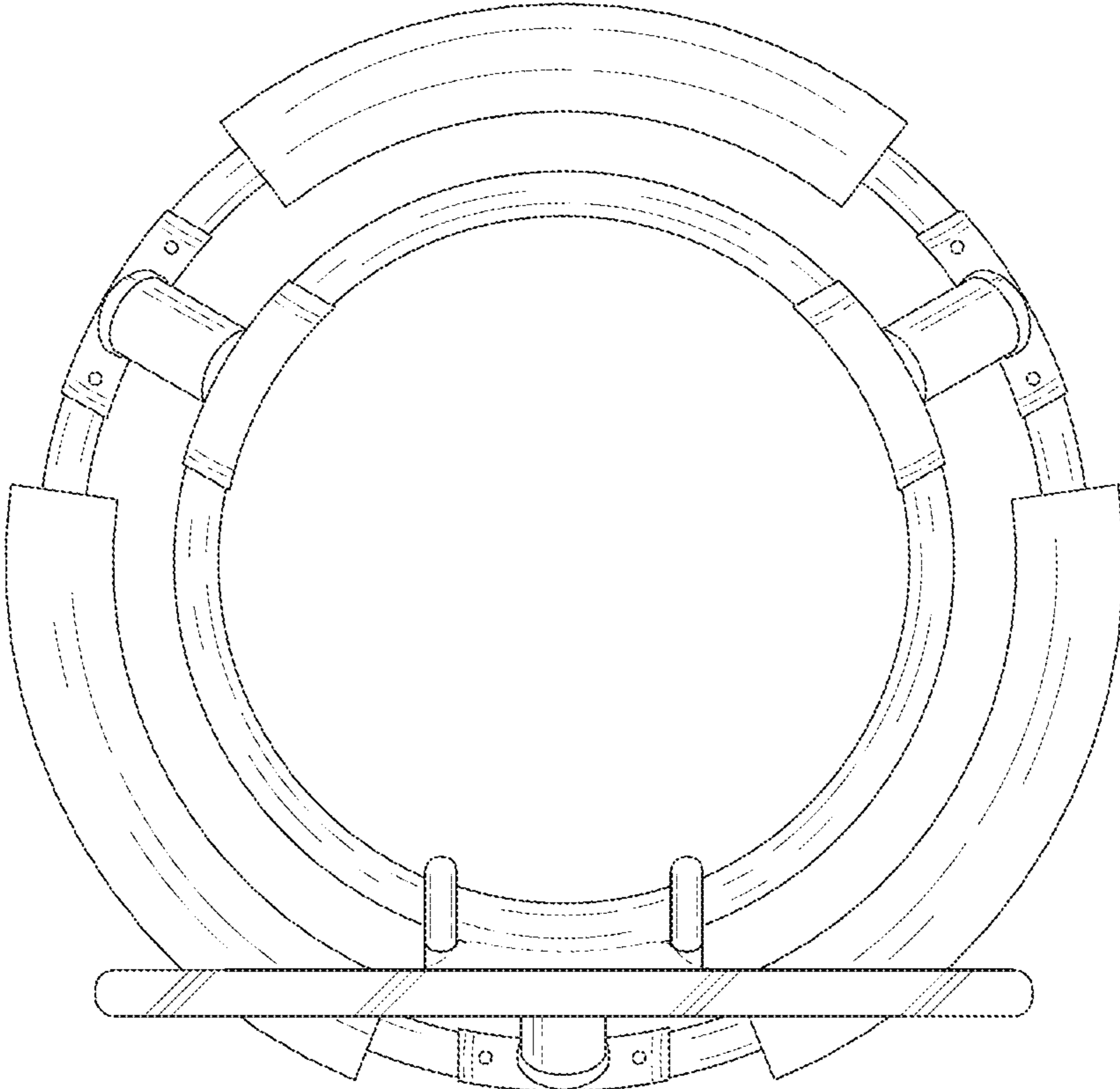


FIG.6



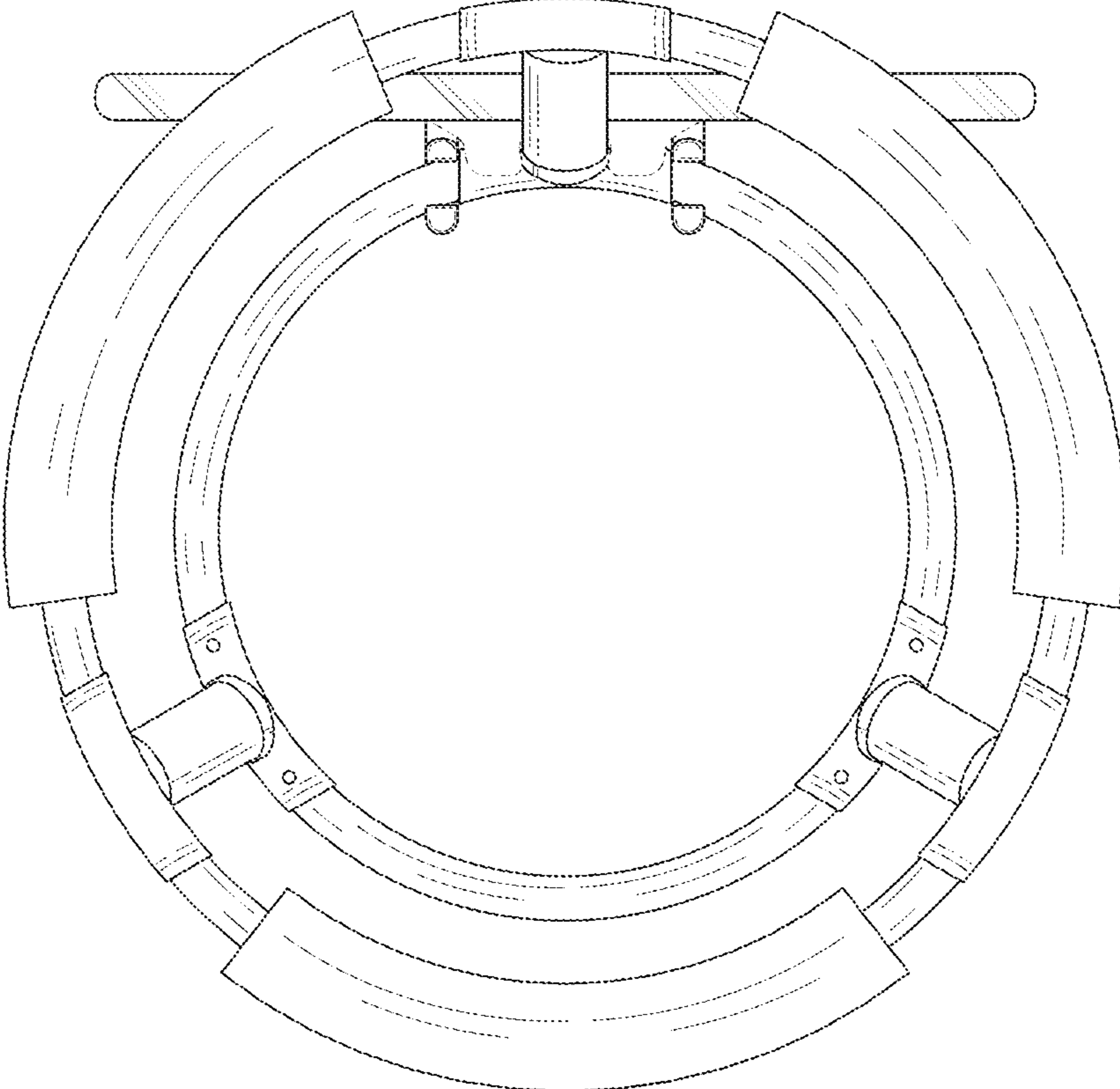


FIG. 7