



US00D960264S

(12) **United States Design Patent**
Engler et al.

(10) **Patent No.:** **US D960,264 S**
(45) **Date of Patent:** **** Aug. 9, 2022**

(54) **GAME NET BASE**

(71) Applicant: **P&P IMPORTS LLC**, Irvine, CA (US)

(72) Inventors: **Peter Engler**, Newport Beach, CA (US); **Peter Tanoury**, Newport Beach, CA (US); **Willis Santamaria**, Diamond Bar, CA (US)

(**) Term: **15 Years**

(21) Appl. No.: **29/727,372**

(22) Filed: **Mar. 10, 2020**

(51) **LOC (13) Cl.** **21-02**

(52) **U.S. Cl.**
USPC **D21/699**

(58) **Field of Classification Search**

USPC D21/699, 781, 701, 702, 703, 704, 705, D21/713, 714, 715, 799.1, 303, 305, 801, D21/803, 808, 473, 301, 302, 314, 318, D21/724, 719, 788, 787, 790, 799.2; D6/708, 708.13, 708.17, 708.2, 332; D11/182; D26/93, 67, 143, 145, 92, 22, D26/87, 138, 140, 142
CPC A63B 61/00; A63B 61/02; A63B 63/00; A63B 63/004; A63B 2063/005; A63B 63/008; A63B 63/08; A63B 63/083; A63B 67/00; A63B 67/007; A63B 67/20; A63B 69/0017; A63B 69/0095; A63B 69/38; A63B 71/023; A63B 2209/10; A63B 71/028; A63B 2071/026; A63B 2225/60; A63B 2102/02; A63B 2102/14
See application file for complete search history.

(56) **References Cited**

U.S. PATENT DOCUMENTS

D122,465 S * 9/1940 Ludwig D19/77
D211,984 S * 8/1968 Billin D6/708
3,811,144 A * 5/1974 Yamanka B63C 9/08
441/30
5,632,480 A * 5/1997 Davis A63B 71/023
248/161

(Continued)

OTHER PUBLICATIONS

GoSports Splash Net Pro Pool Volleyball Net. Date Posted: Apr. 18, 2020. Retrieved from internet: <<https://www.amazon.ca/GoSports-Splash-Volleyball-Water-Volleyballs/dp/B08787LJS3?th=1>> [site visited Nov. 17, 2021] (Year: 2020).*

(Continued)

Primary Examiner — Katherine Glennon

Assistant Examiner — Yuan Yuan

(74) *Attorney, Agent, or Firm* — Casey H. Kempner; Siamak S. Hefazi

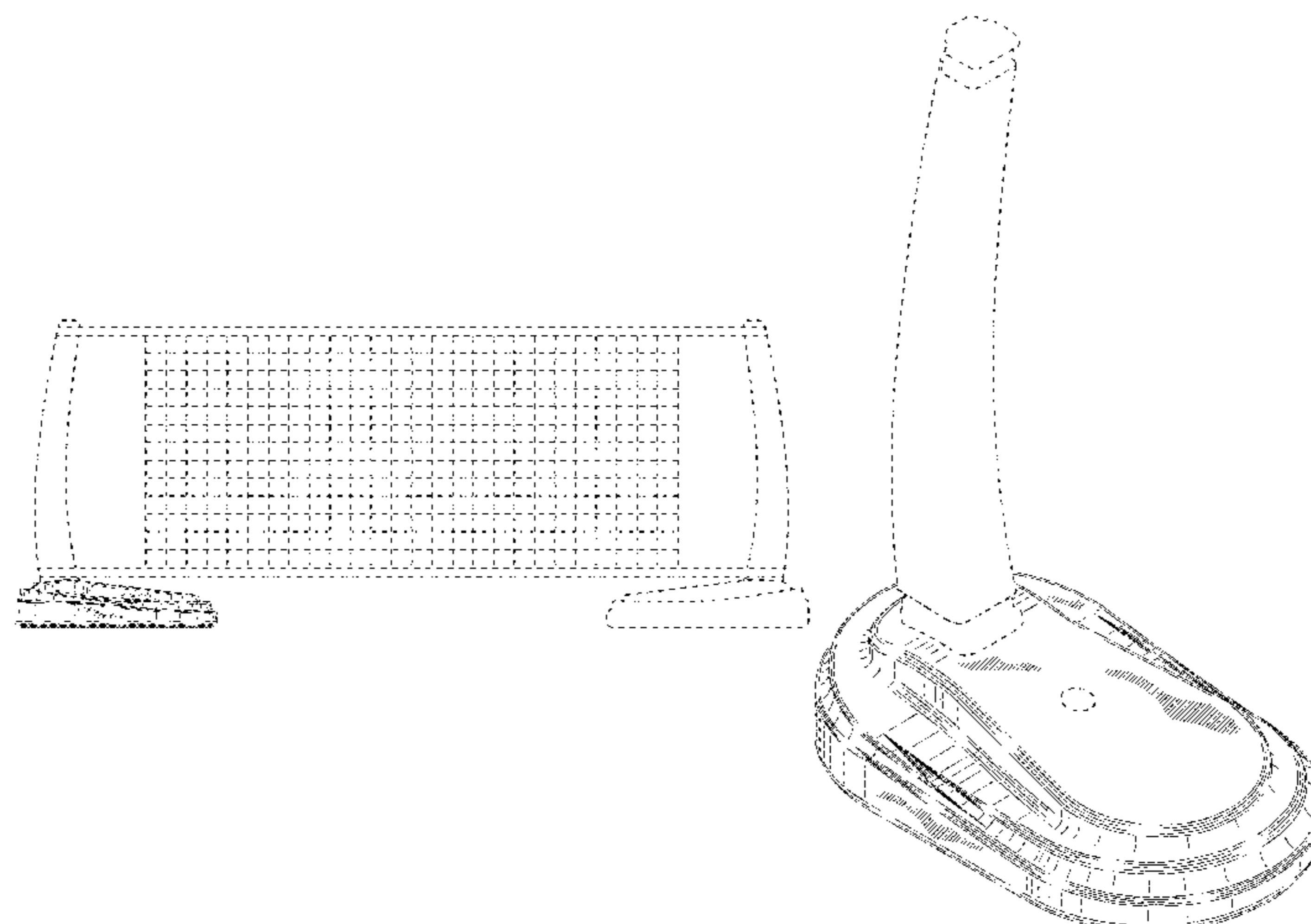
(57) **CLAIM**

The ornamental design for a game net base, as shown and described.

DESCRIPTION

FIG. 1 is a side view of a game net base showing the new design in an environment of use;
FIG. 2 is a perspective view of a game net base shown in an environment of use;
FIG. 3 is a perspective view thereof shown without its environment of use;
FIG. 4 is a left-side view thereof, the right-side view being a mirror image thereof;
FIG. 5 is a front view thereof;
FIG. 6 is a back view thereof;
FIG. 7 is a top view of the game net base shown in FIG. 1; and,
FIG. 8 is a bottom view of the game net base shown in FIG. 1.
The broken line showing of the support arms and net in FIGS. 1-2 depict environmental subject matter and form no part of the claimed design. All other broken lines depict portions of the game net base that form no part of the claimed design.

1 Claim, 8 Drawing Sheets



(56)

References Cited

U.S. PATENT DOCUMENTS

5,730,668 A * 3/1998 Hege A63B 71/023
473/472
D544,142 S * 6/2007 Huang D26/142
D581,588 S * 11/2008 Huang D26/142
D591,447 S * 4/2009 Huang D26/142
D595,384 S * 6/2009 Marciano D21/803
D716,046 S * 10/2014 Mullen D3/254
D812,758 S * 3/2018 Yoon D24/167
D912,754 S * 3/2021 Katemann D21/803

OTHER PUBLICATIONS

GoSports Splash Hoop Pro Swimming Pool Basketball Game. Date
Posted: Nov. 5, 2019. Retrieved from internet: <<https://www.amazon.com/GoSports-Splash-Basketball-Poolside-Water/dp/B0812LQ8GW/>> [site visited Nov. 19, 2021] (Year: 2019).*

* cited by examiner

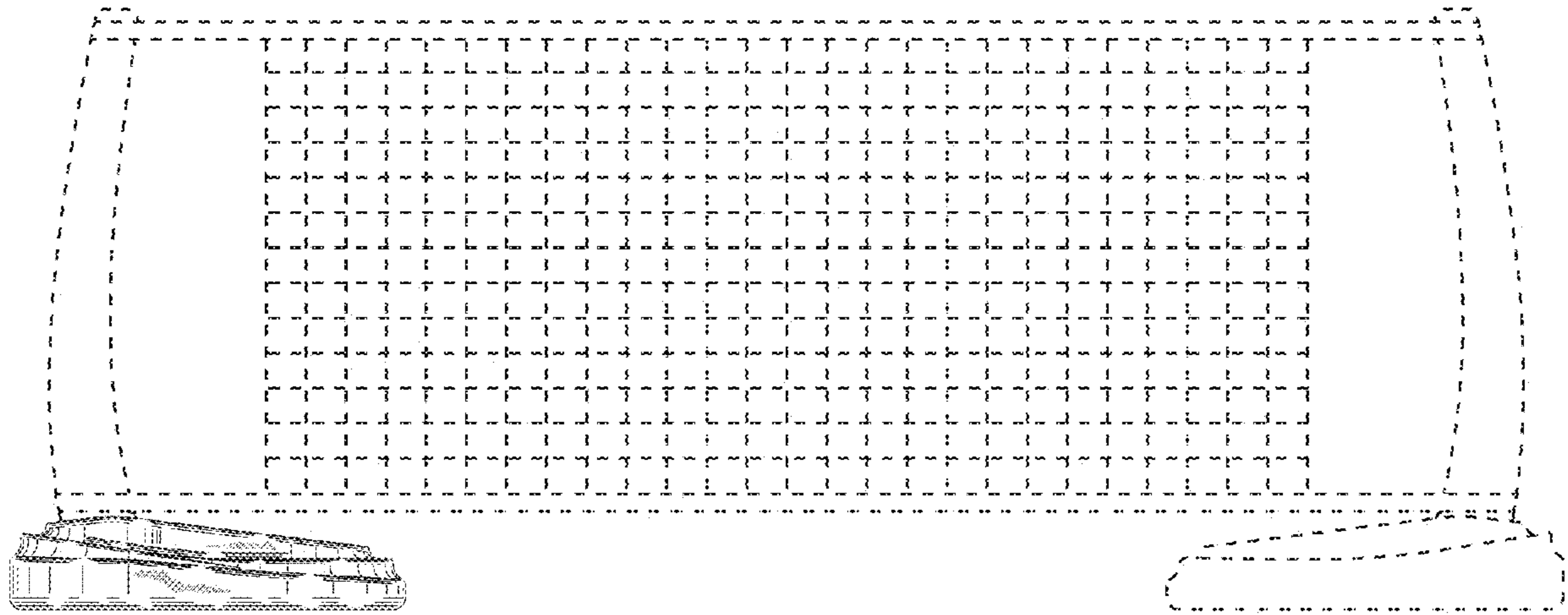


FIG. 1

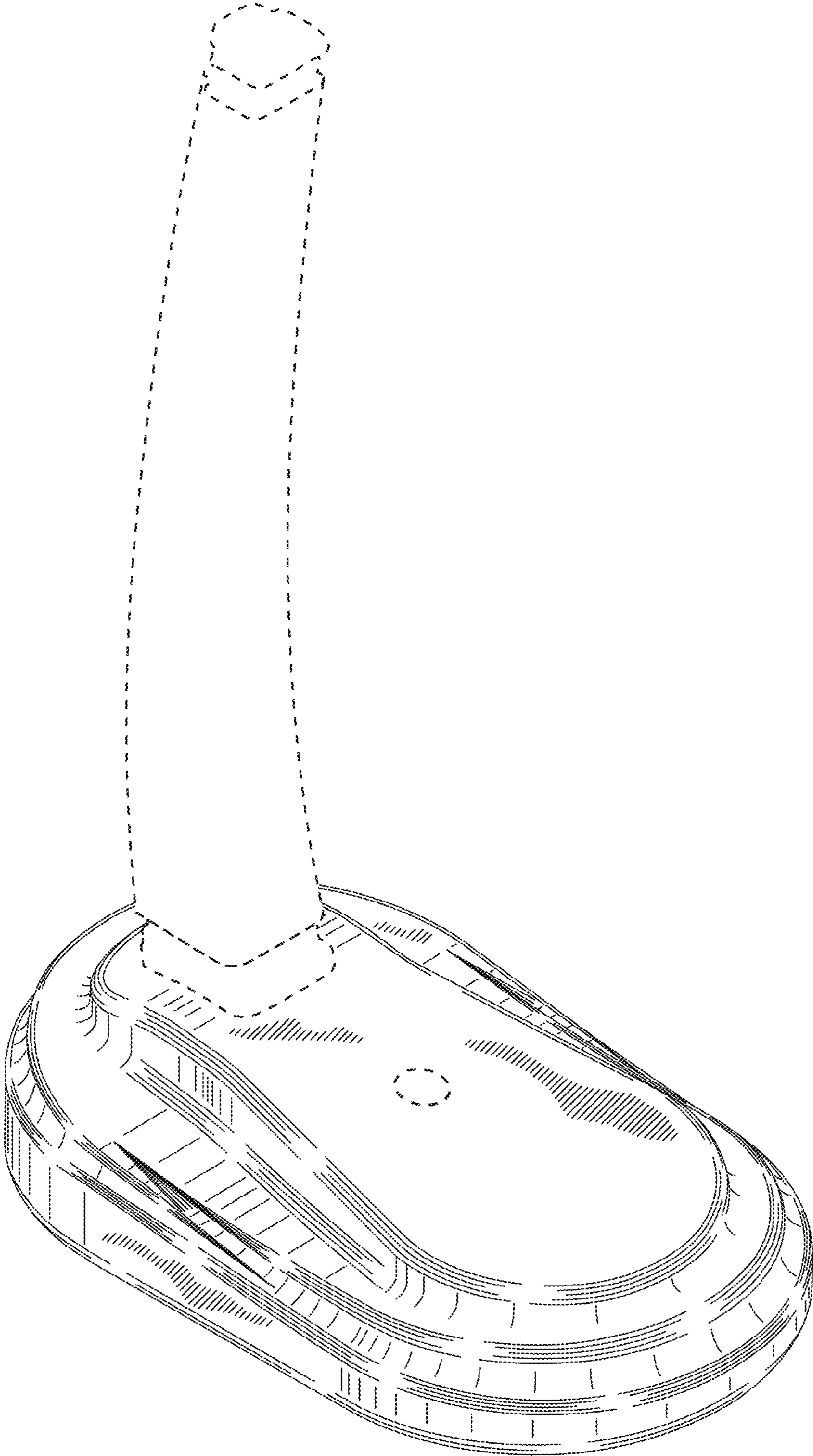


FIG. 2

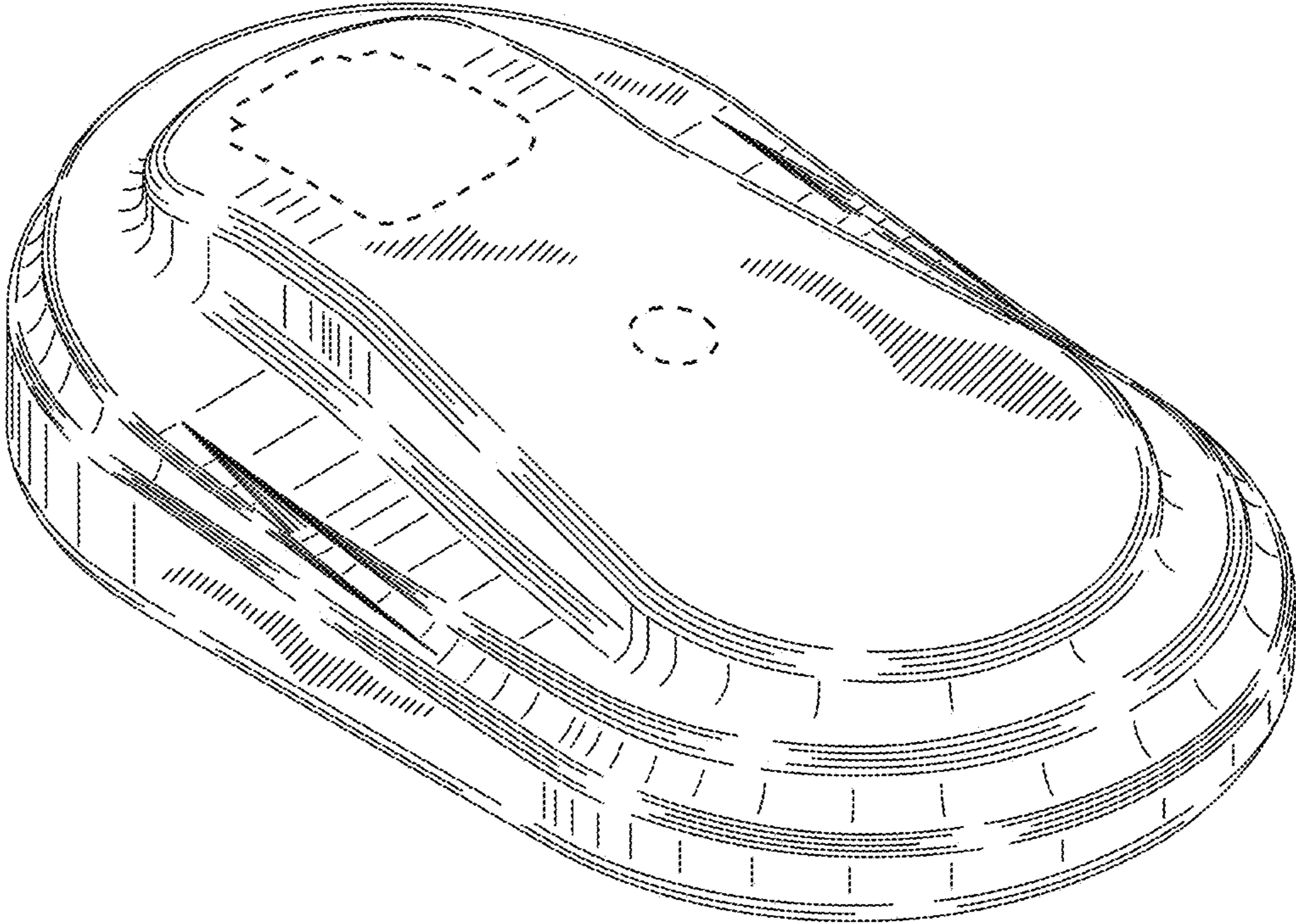


FIG. 3

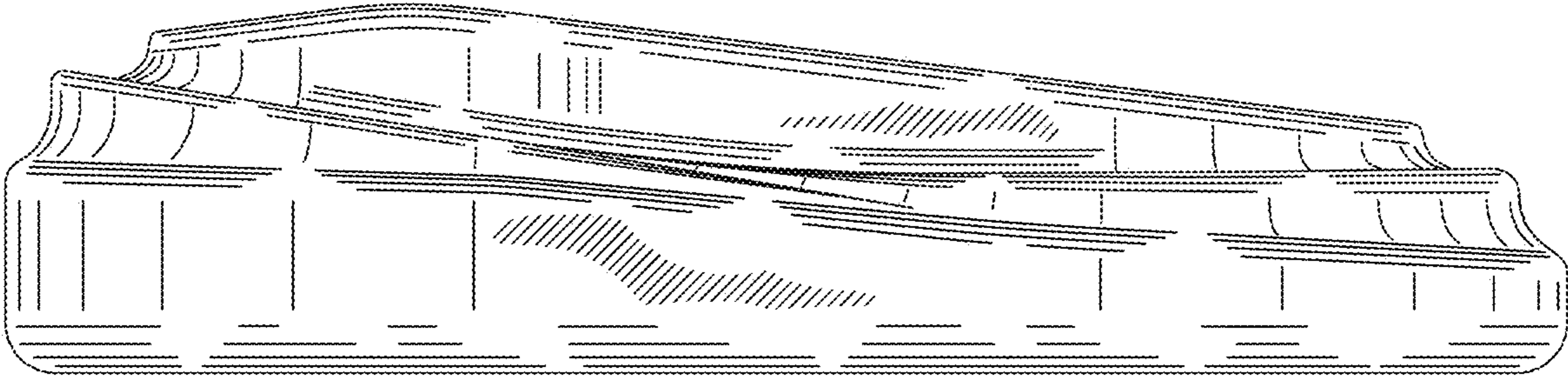


FIG. 4

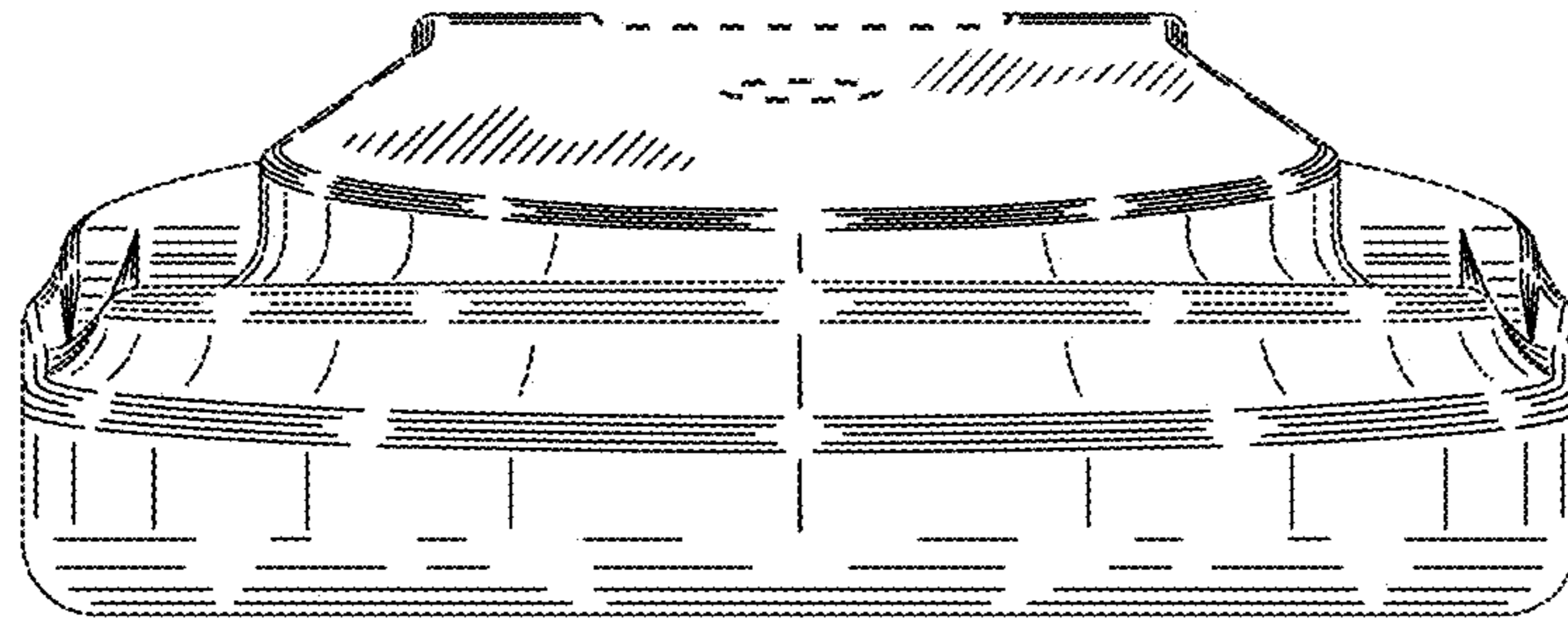


FIG. 5

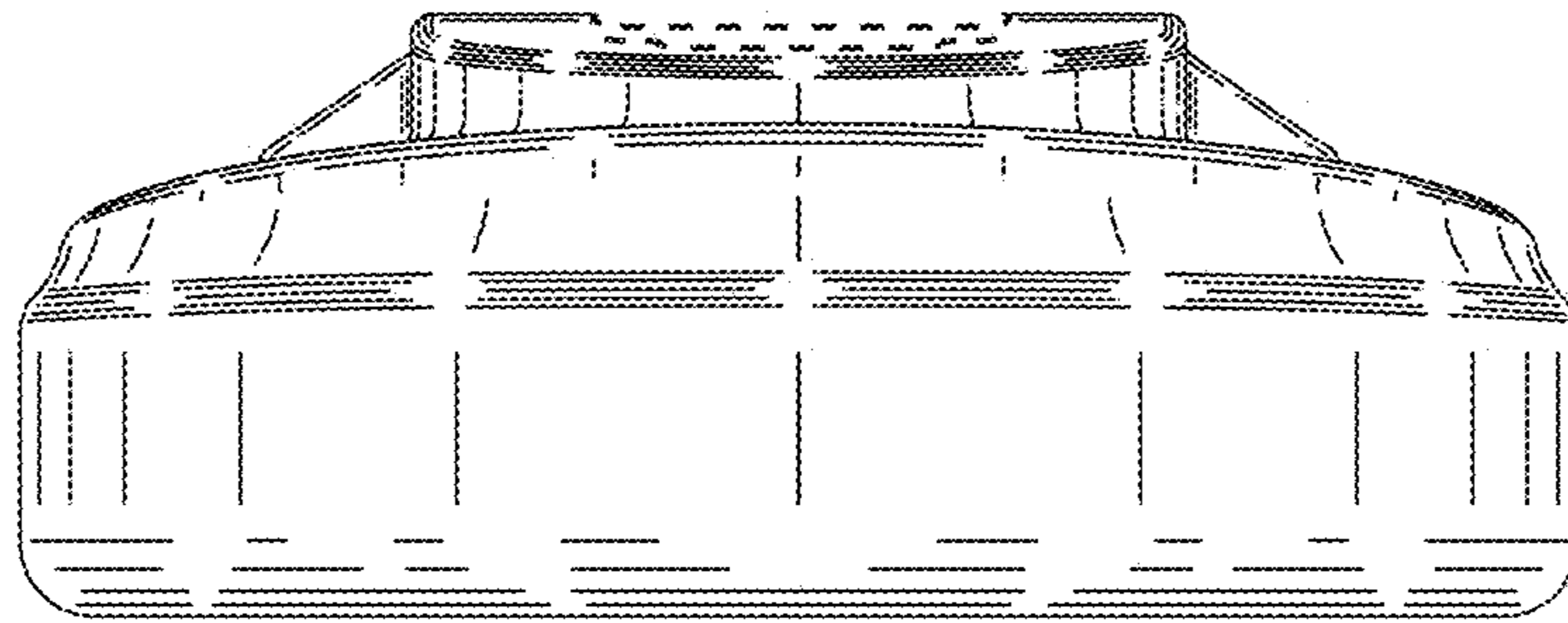


FIG. 6

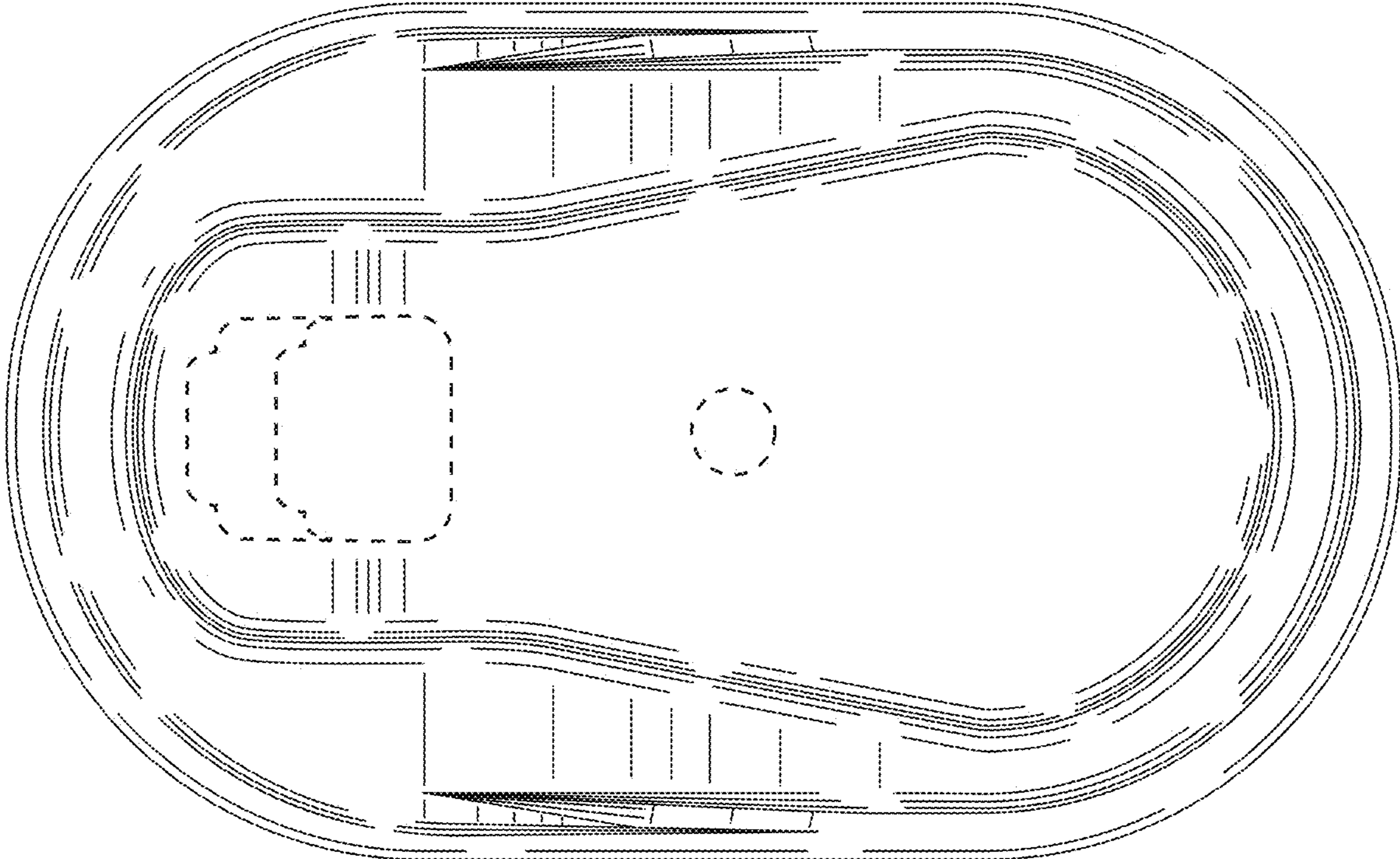


FIG. 7

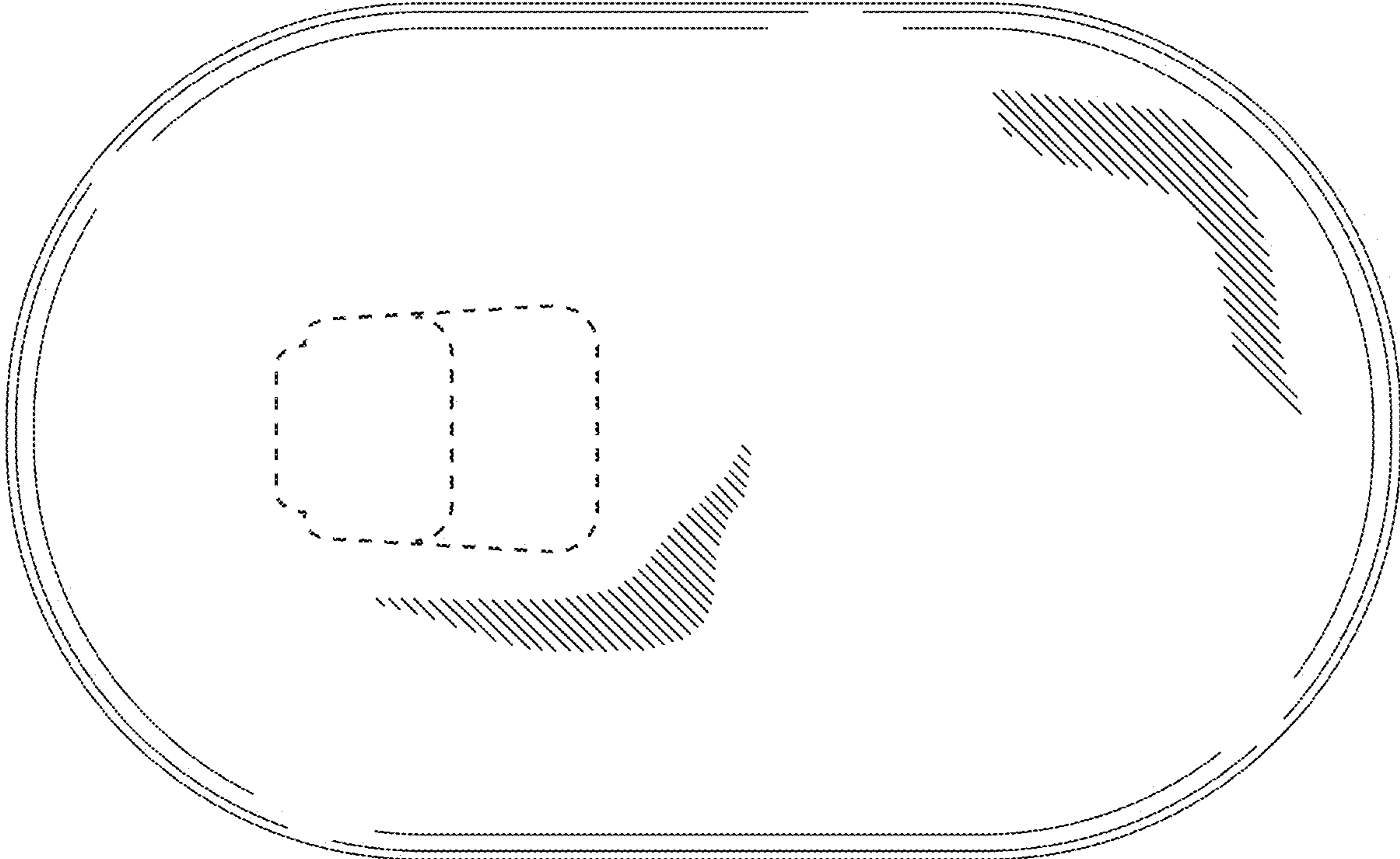


FIG. 8