



US00D960263S

(12) **United States Design Patent**
Pan

(10) **Patent No.:** **US D960,263 S**

(45) **Date of Patent:** **** Aug. 9, 2022**

- (54) **WEIGHT PLATE HOLDER**
- (71) Applicant: **Yiwu Chaochen Sporting Goods Co., Ltd., Zhejiang (CN)**
- (72) Inventor: **Wenjin Pan, Zhejiang (CN)**
- (73) Assignee: **Yiwu Chaochen Sporting Goods Co., Ltd., Zhejiang (CN)**
- (**) Term: **15 Years**
- (21) Appl. No.: **29/796,345**
- (22) Filed: **Jun. 23, 2021**
- (30) **Foreign Application Priority Data**

Jun. 4, 2021 (CN) 202130345962.1

- (51) **LOC (13) Cl.** **21-02**
- (52) **U.S. Cl.**
USPC **D21/691**
- (58) **Field of Classification Search**
USPC D21/662, 686, 691, 694, 681; D6/552,
D6/678.1, 678.4, 675; 482/104; D32/25
CPC A63B 71/0036; A63B 21/072; A63B
2071/025; A47B 47/021; A47B 55/00;
A47B 81/00; A47B 81/007
See application file for complete search history.

(56) **References Cited**

U.S. PATENT DOCUMENTS

- 6,406,409 B1 * 6/2002 Silver A63B 71/0036
482/106
- D468,946 S * 1/2003 Harms D6/552
- 6,527,682 B1 * 3/2003 Gomez A63B 21/072
482/904
- D506,516 S * 6/2005 Yang D6/552
- D536,562 S * 2/2007 Wideman D6/552

- D555,961 S * 11/2007 Lien D6/552
- D560,089 S * 1/2008 DeMeyer D6/552
- D565,132 S * 3/2008 Lien D6/552
- D583,426 S * 12/2008 Webber D21/691
- D683,923 S 6/2013 Henley
- 8,479,930 B1 * 7/2013 Cohen H04R 1/028
211/13.1
- D704,956 S * 5/2014 English D6/552
- D713,113 S 9/2014 Hsieh et al.
- D731,010 S * 6/2015 Levitt D21/681
- D806,188 S * 12/2017 Petek D21/686
- 11,051,614 B1 * 7/2021 Allen A47F 5/0853
- 2004/0140277 A1 * 7/2004 Comartin A63B 71/0036
211/49.1
- 2005/0054494 A1 * 3/2005 Guerrettaz A63B 71/0036
482/92
- 2018/0126244 A1 * 5/2018 Doerr A63B 21/072

* cited by examiner

Primary Examiner — Ryan Harvey

(74) *Attorney, Agent, or Firm* — ScienBiziP, P.C.

(57) **CLAIM**

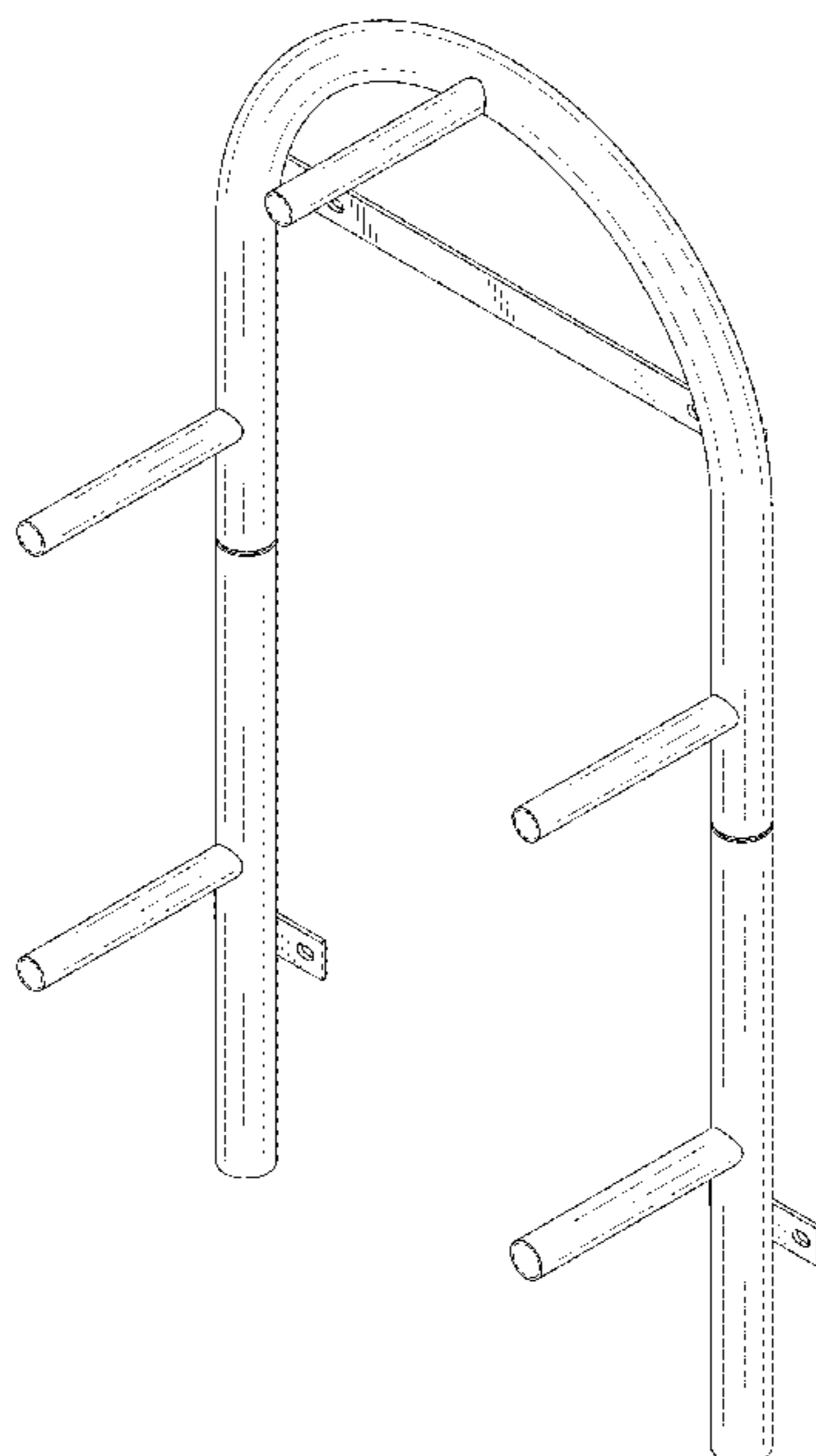
The ornamental design for a weight plate holder, as shown and described.

DESCRIPTION

FIG. 1 is a front, right, and top perspective view of a weight plate holder, showing my design.
 FIG. 2 is a rear, left, and bottom perspective view thereof.
 FIG. 3 is a front elevation view thereof.
 FIG. 4 is a rear elevation view thereof.
 FIG. 5 is a left side elevation view thereof.
 FIG. 6 is a right side elevation view thereof.
 FIG. 7 is a top plan view thereof; and,
 FIG. 8 is a bottom plan view thereof.

The broken lines shown in the drawings are included for the purpose of illustrating portions of the weight plate holder that form no part of the claimed design

1 Claim, 8 Drawing Sheets



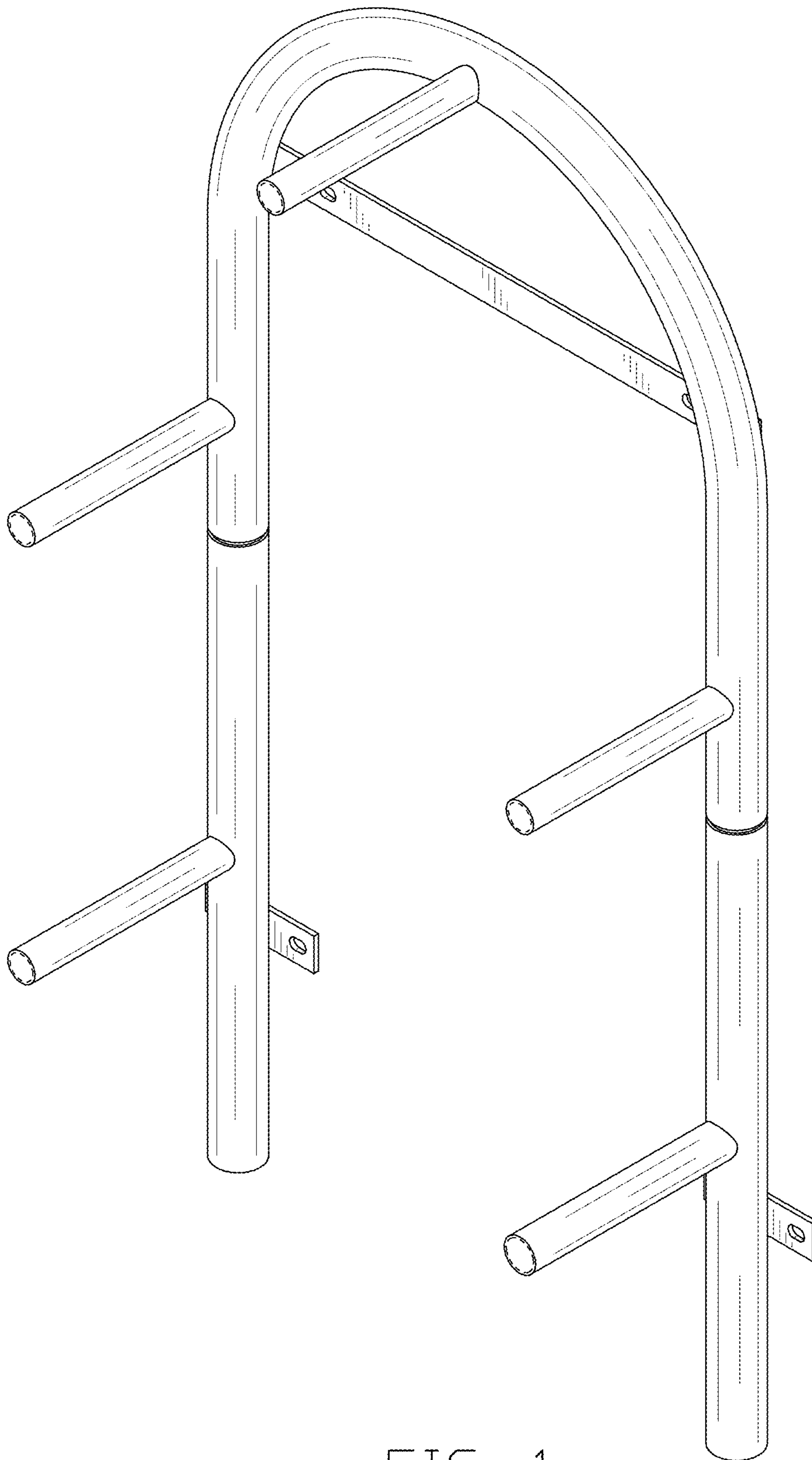


FIG. 1

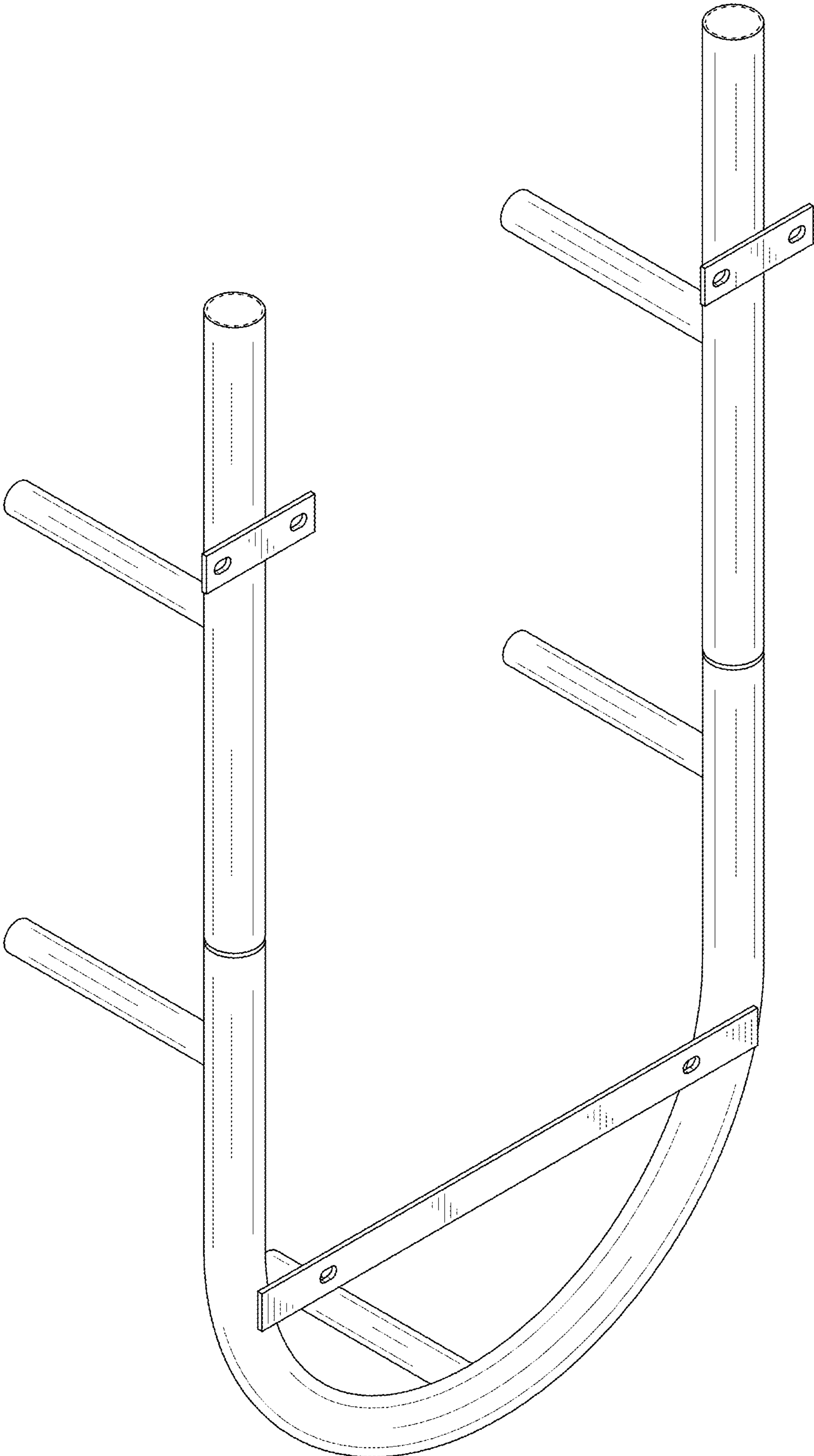


FIG. 2

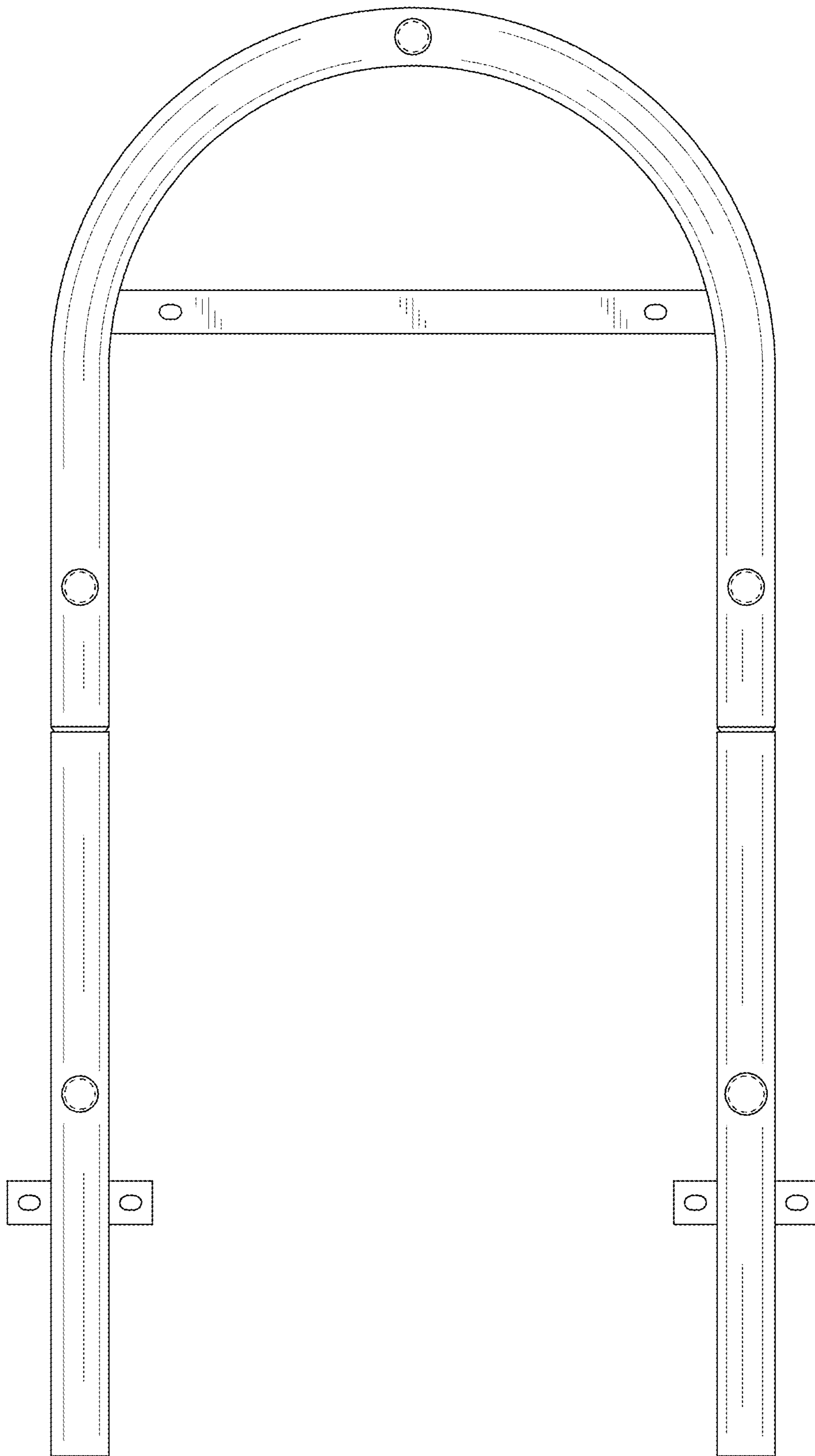


FIG. 3

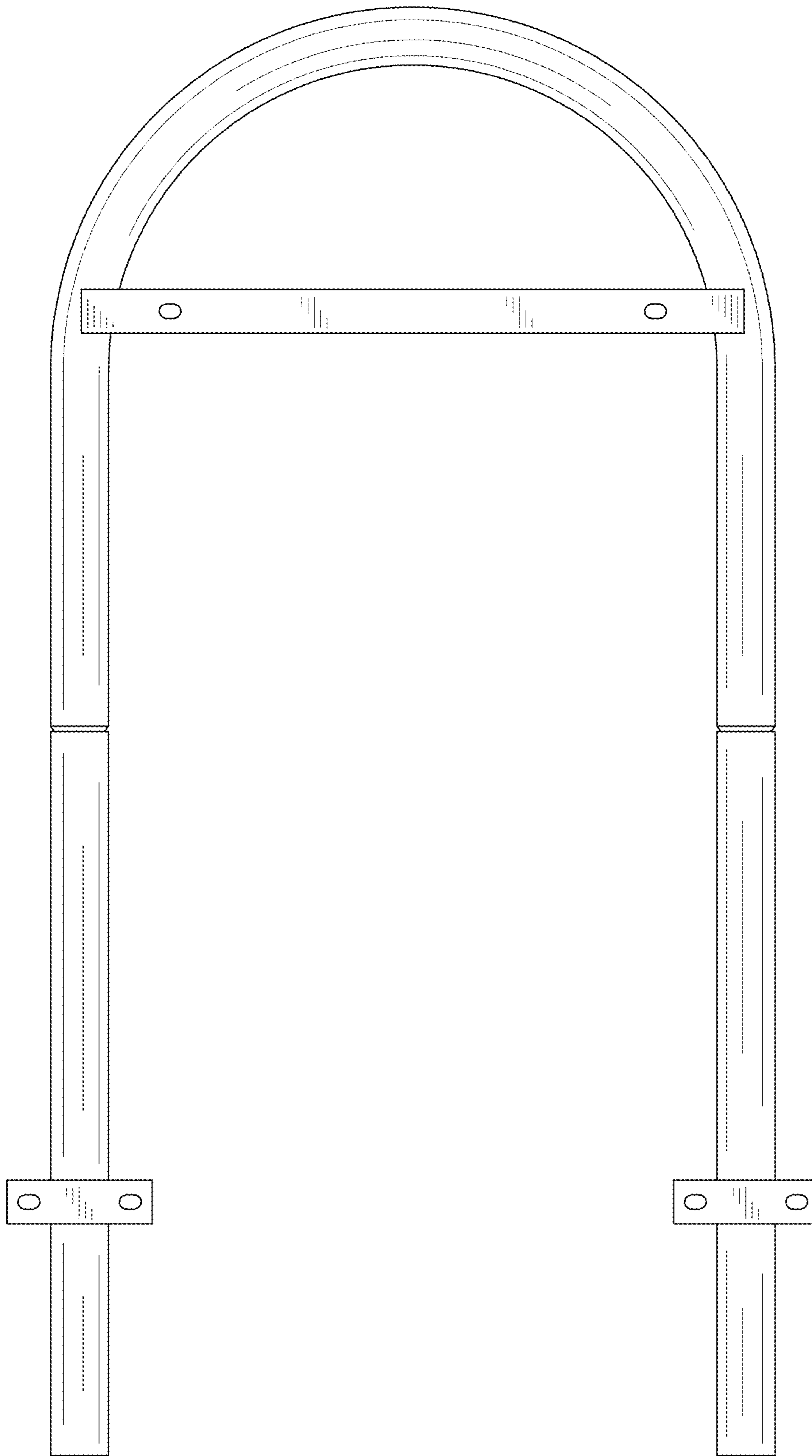


FIG. 4

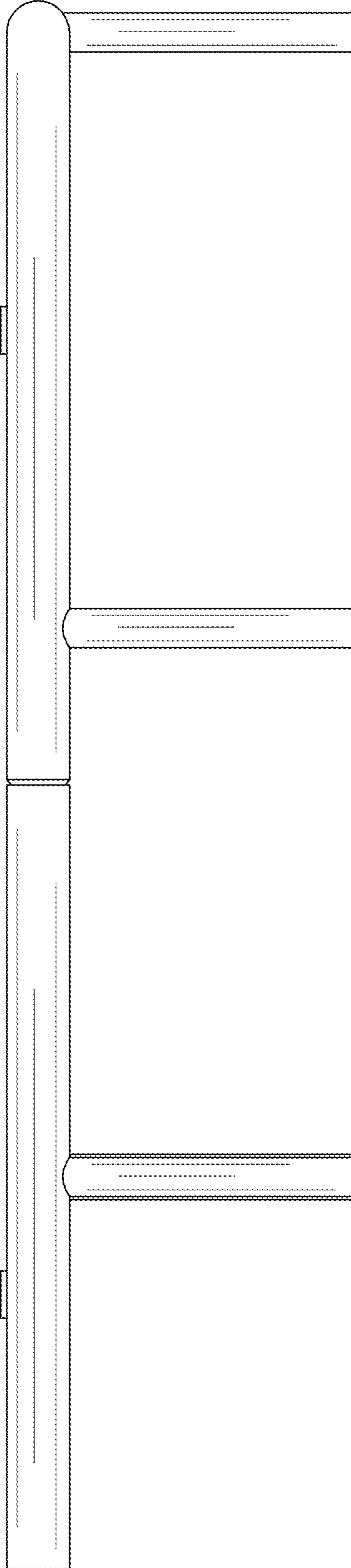


FIG. 5

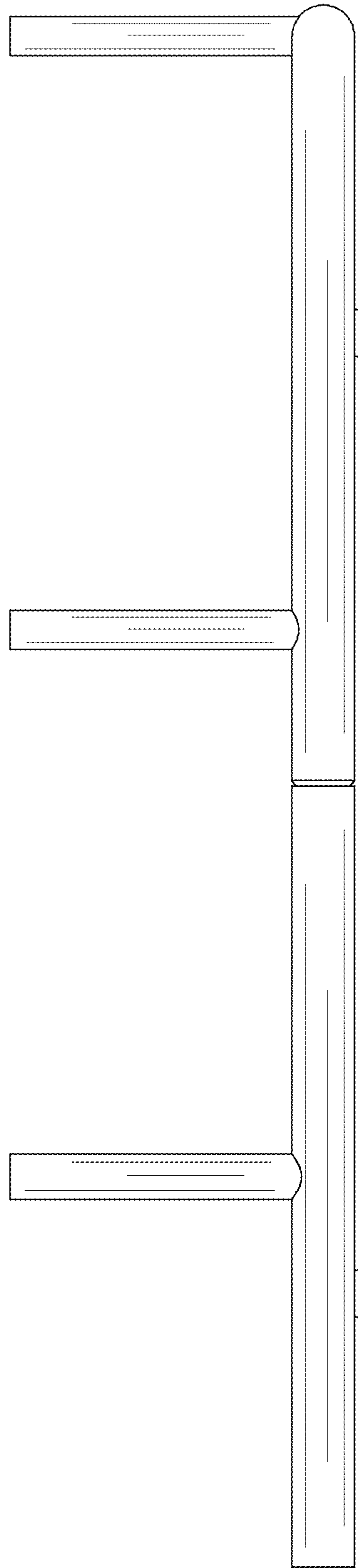


FIG. 6

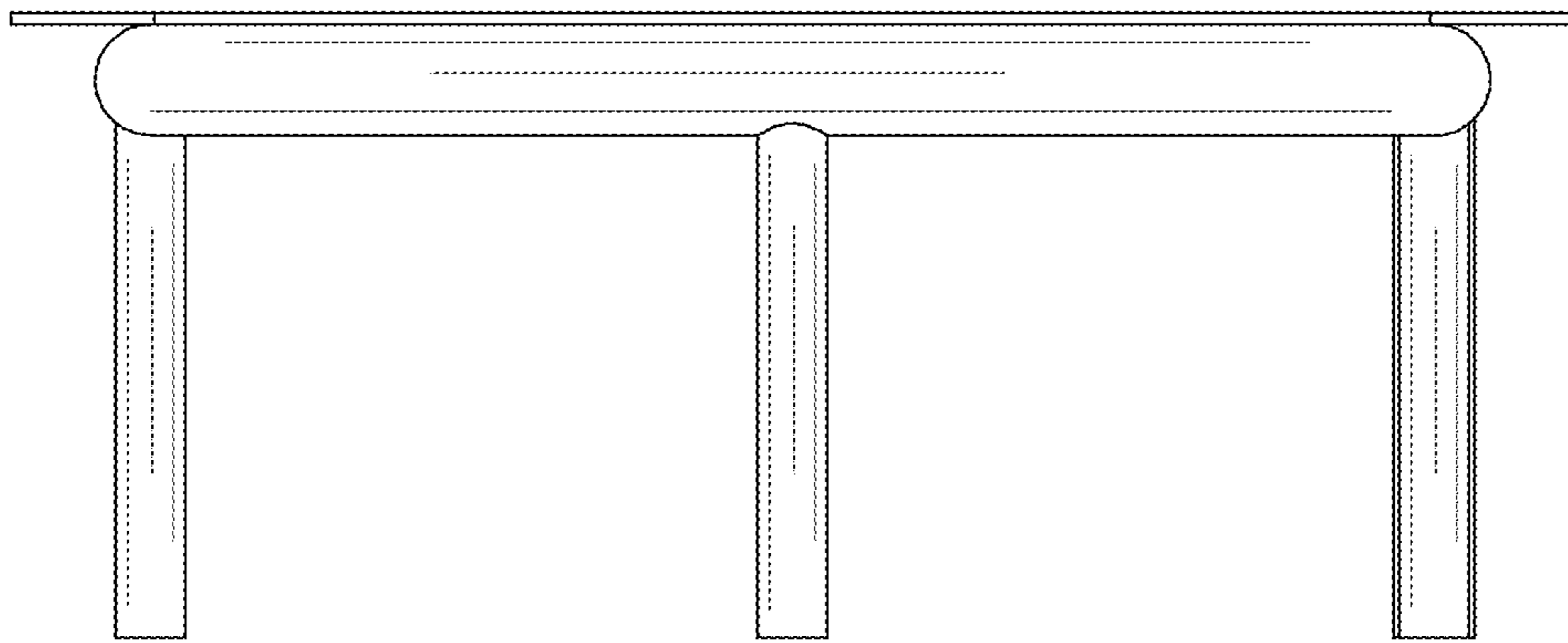


FIG. 7

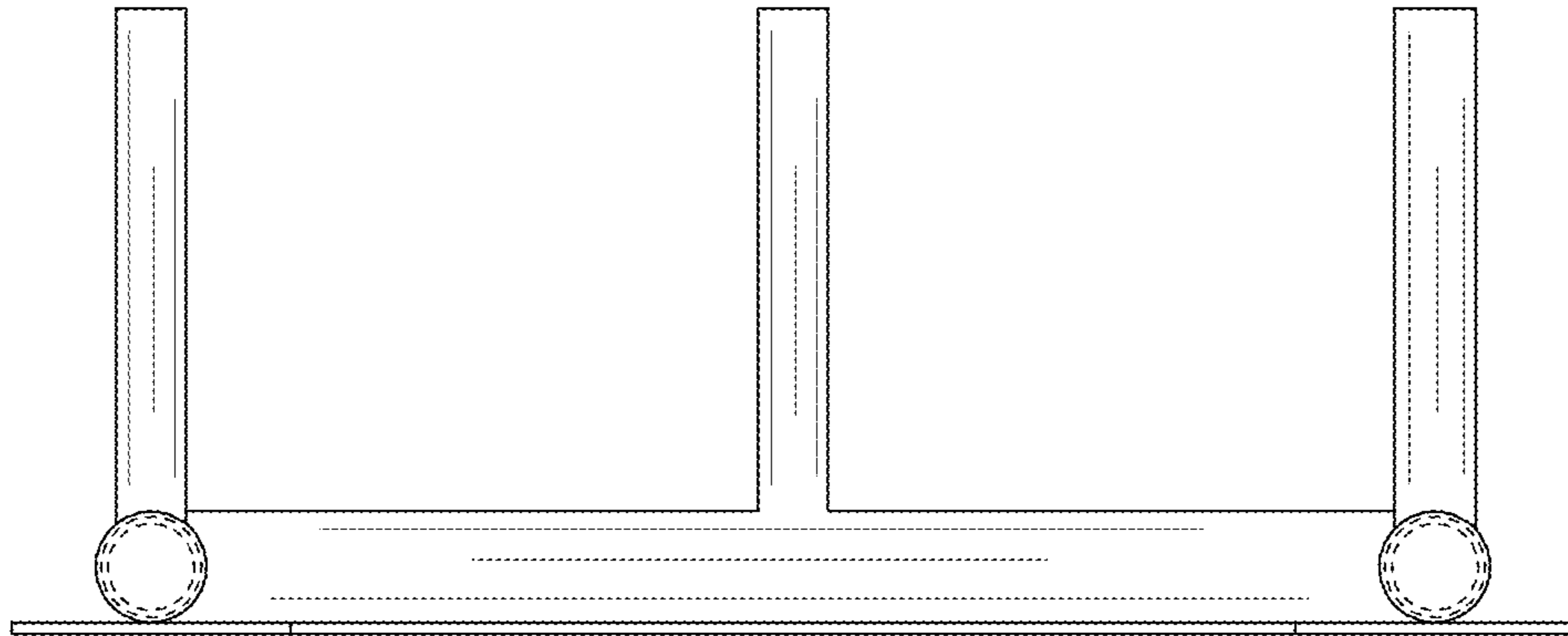


FIG. 8