



US00D960262S

(12) **United States Design Patent** (10) **Patent No.:** **US D960,262 S**
Tu (45) **Date of Patent:** **** Aug. 9, 2022**

(54) **BALANCE BOARD**
(71) Applicant: **Zhiwu Tu**, Nanchang (CN)
(72) Inventor: **Zhiwu Tu**, Nanchang (CN)
(**) Term: **15 Years**
(21) Appl. No.: **29/776,337**
(22) Filed: **Mar. 29, 2021**
(51) **LOC (13) Cl.** **21-02**
(52) **U.S. Cl.**
USPC **D21/686**
(58) **Field of Classification Search**
USPC D21/671, 662, 668, 686, 688, 689, 690;
273/113, 114, 115, 449, 110; 482/123,
482/146, 142, 147, 52, 141
CPC A63B 26/003; A63B 22/16; A63B 22/18;
A63B 21/0552; A63B 2208/0204; A63B
23/0458; A63B 22/0056; A63B 22/14
See application file for complete search history.

(56) **References Cited**

U.S. PATENT DOCUMENTS

D134,341 S * 11/1942 Churchill D21/688
3,188,087 A * 6/1965 Larson, Jr. A63B 22/18
273/115
3,361,427 A * 1/1968 Paves A63B 22/16
482/146
D228,005 S * 7/1973 Stubbmann D21/340
3,747,930 A * 7/1973 Barlow A63F 7/041
273/113
3,806,116 A * 4/1974 Malmberg A63B 22/14
482/147
3,811,676 A * 5/1974 Greenberg A63F 7/041
273/110
3,961,787 A * 6/1976 Studebaker A63B 21/0004
273/114
D241,863 S * 10/1976 Fridle D21/689
D268,351 S * 3/1983 Steinberg D21/340
D306,049 S * 2/1990 Bancroft D21/688

5,042,808 A * 8/1991 Shoptaugh A63F 7/044
273/110
5,203,279 A * 4/1993 Eversdyk A01K 15/027
119/702
6,419,586 B1 * 7/2002 Chiu A63B 22/18
472/135
6,461,285 B1 * 10/2002 Theunissen A63B 26/003
273/110
6,872,175 B2 * 3/2005 Lin A63B 21/0004
482/121

(Continued)

OTHER PUBLICATIONS

Perfi by Purefi dated Mar. 1, 2021. Found online [Dec. 14, 2021]
https://www.amazon.com/PUREFI-Strengthen-Physical-Standing-Exerciser/dp/B08SM77PTT?ref=ast_sto_dp (Year: 2021).*

(Continued)

Primary Examiner — Ryan Harvey
(74) *Attorney, Agent, or Firm* — Xiaofang Zhong; Law
Office of Xiaofang Zhong, PLLC

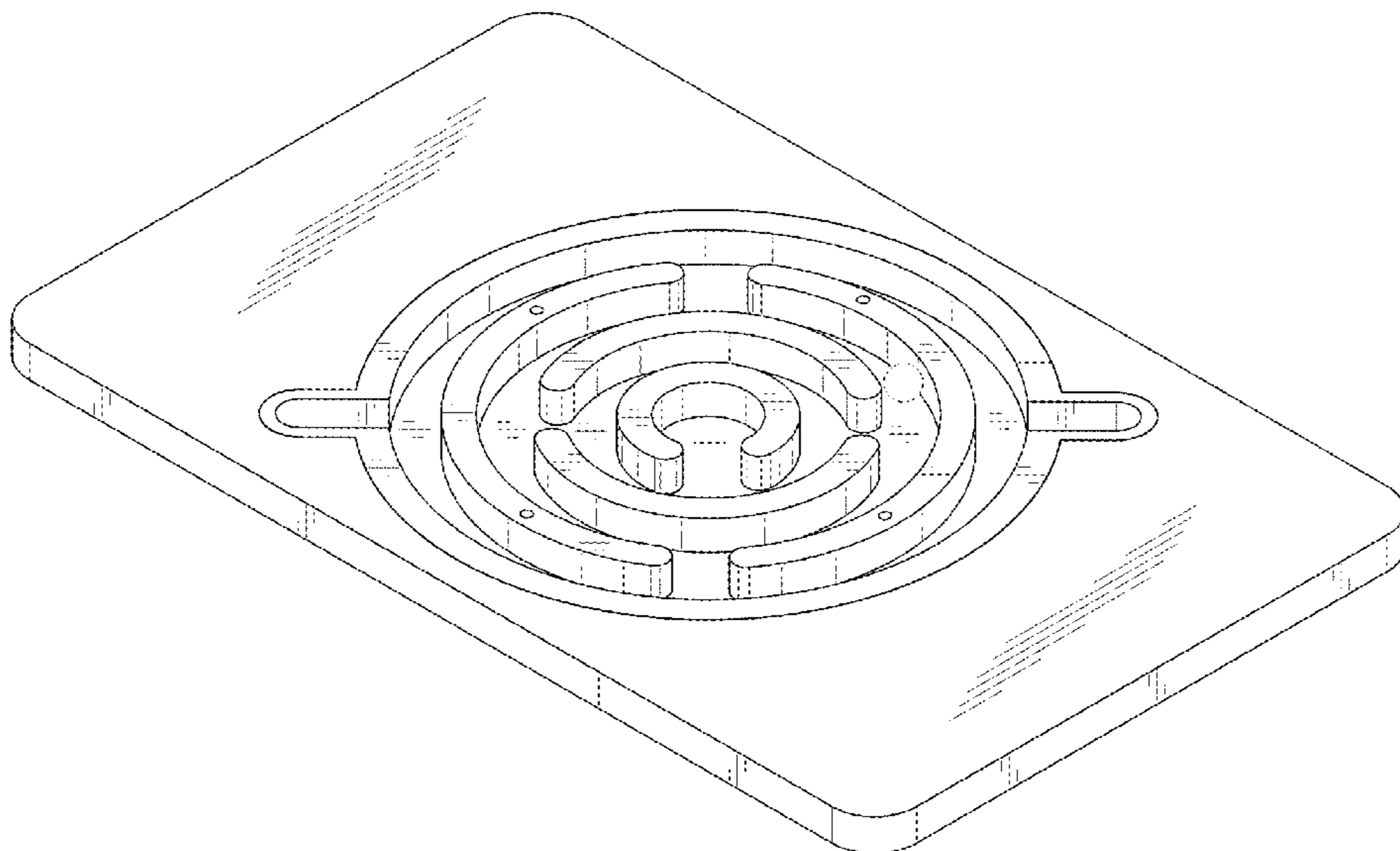
(57) **CLAIM**

The ornamental design for a balance board, as shown and described.

DESCRIPTION

FIG. 1 is a perspective view of a balance board showing my new design;
FIG. 2 is a front elevational view thereof;
FIG. 3 is a rear elevational view thereof;
FIG. 4 is a right side elevational view thereof;
FIG. 5 is a left side elevational view thereof;
FIG. 6 is a top plan view thereof; and,
FIG. 7 is a bottom plan view thereof.
In the drawings, the dash-dot-dash broken line showing of a ball depicts environment and forms no part of the claim; the evenly-spaced lines represent boundaries of the claimed design and form no part thereof.

1 Claim, 5 Drawing Sheets



(56)

References Cited

U.S. PATENT DOCUMENTS

D507,026 S 7/2005 Chen
 D517,136 S 3/2006 Chen
 7,367,565 B2* 5/2008 Chiu A63B 26/003
 273/109
 7,798,493 B1* 9/2010 Moore A63F 7/382
 273/115
 7,833,144 B1* 11/2010 Como A63B 23/0458
 482/142
 D659,776 S * 5/2012 Zydiak D21/688
 D779,000 S 2/2017 Olson
 D785,731 S * 5/2017 Stack D21/688
 D797,212 S 9/2017 Polinsky
 D806,189 S 12/2017 Failing
 D822,774 S 7/2018 Strong Crawley
 D846,042 S * 4/2019 Yadhunathanan D21/680
 D848,623 S * 5/2019 Franche D24/188
 D849,856 S 5/2019 Publicover
 D870,828 S * 12/2019 Dicharry D21/688
 D875,194 S 2/2020 Zhou et al.
 D886,922 S 6/2020 Hwang
 D890,868 S 7/2020 Zhao
 D903,790 S 12/2020 Matsushita
 D910,125 S 2/2021 Liu et al.
 2004/0009859 A1* 1/2004 Gottlieb A63B 21/0004
 482/146
 2006/0270536 A1* 11/2006 Tukada A63B 26/003
 482/146
 2007/0117697 A1* 5/2007 Genua A63B 21/0004
 482/146

2008/0064578 A1* 3/2008 Huang A63B 26/003
 482/146
 2009/0275451 A1* 11/2009 Chiang A63B 22/18
 482/146
 2011/0263398 A1* 10/2011 Klassen A63B 22/18
 482/146
 2014/0087927 A1* 3/2014 Richard A63B 23/03541
 482/123
 2014/0162859 A1* 6/2014 Cheng A63B 21/05
 482/142
 2014/0371041 A1* 12/2014 Terpstra A63B 22/18
 482/146
 2016/0325135 A1* 11/2016 Franche A63B 26/003
 2017/0232302 A1* 8/2017 Dedvukaj A63B 22/16
 482/123
 2019/0076718 A1* 3/2019 Lee A63B 22/0061
 2019/0091510 A1* 3/2019 Wallace A63B 26/003
 2020/0238135 A1* 7/2020 Stehlik A63B 22/18

OTHER PUBLICATIONS

Maze by Revvit dated Nov. 24, 2020. Found online [Dec. 14, 2021]
<https://tinyurl.com/mpp995x4> (Year: 2020).*
 Google Images by Google Images dated Dec. 14, 2021. Found
 online [Dec. 14, 2021] https://www.google.com/search?q=wood+maze+balance+board&rlz=1C1GCEB_enUS800US801&source=lnms&tbm=isch&sa=X&ved=2ahUKEwi0zM6xwOP0AhWtm-AKHVL_CgYQ_AUoAnoECAEQBA&biw=1920&bih=1097&dpr=1 (Year: 2021).*

* cited by examiner

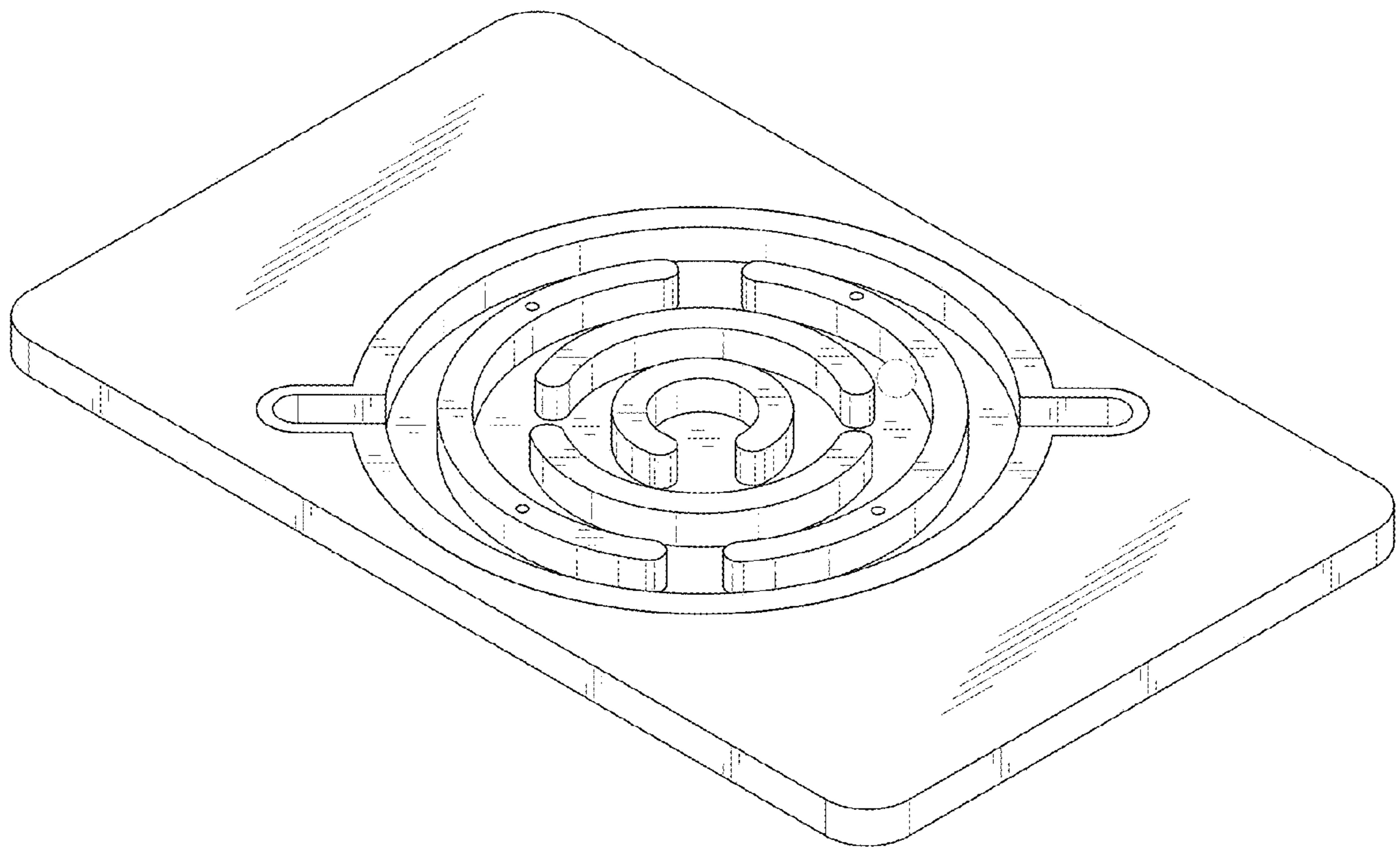


FIG. 1

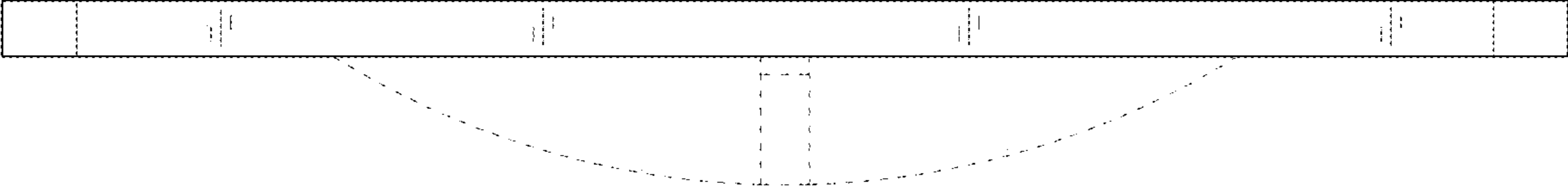


FIG. 2

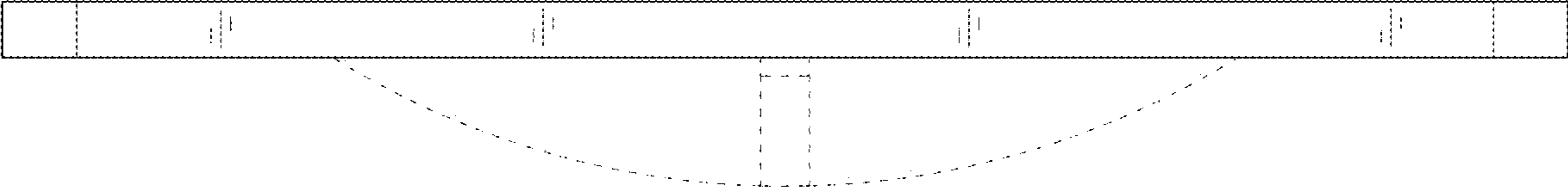


FIG. 3

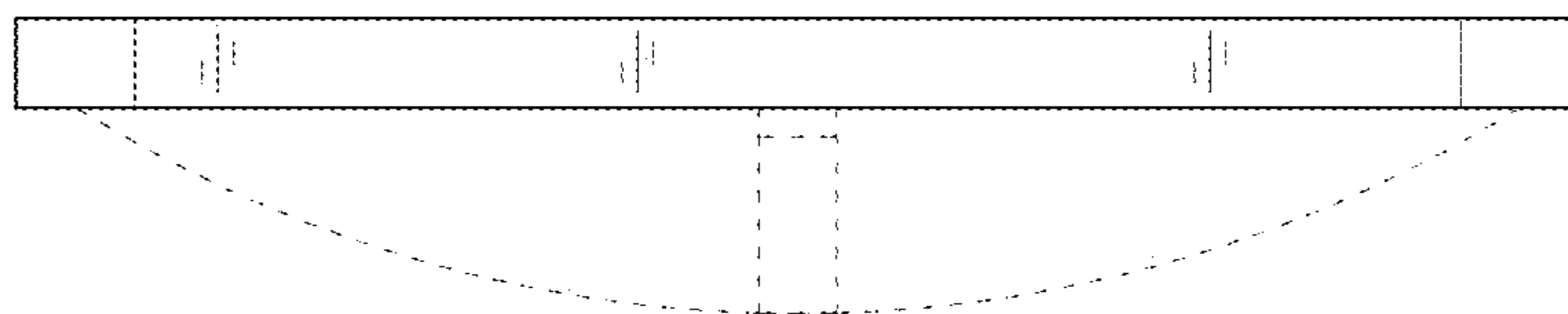


FIG. 4

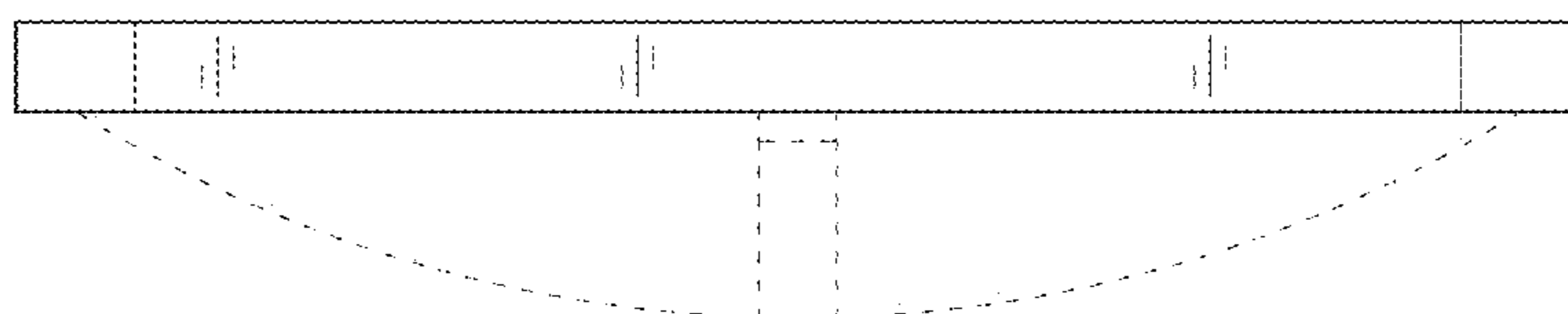


FIG. 5

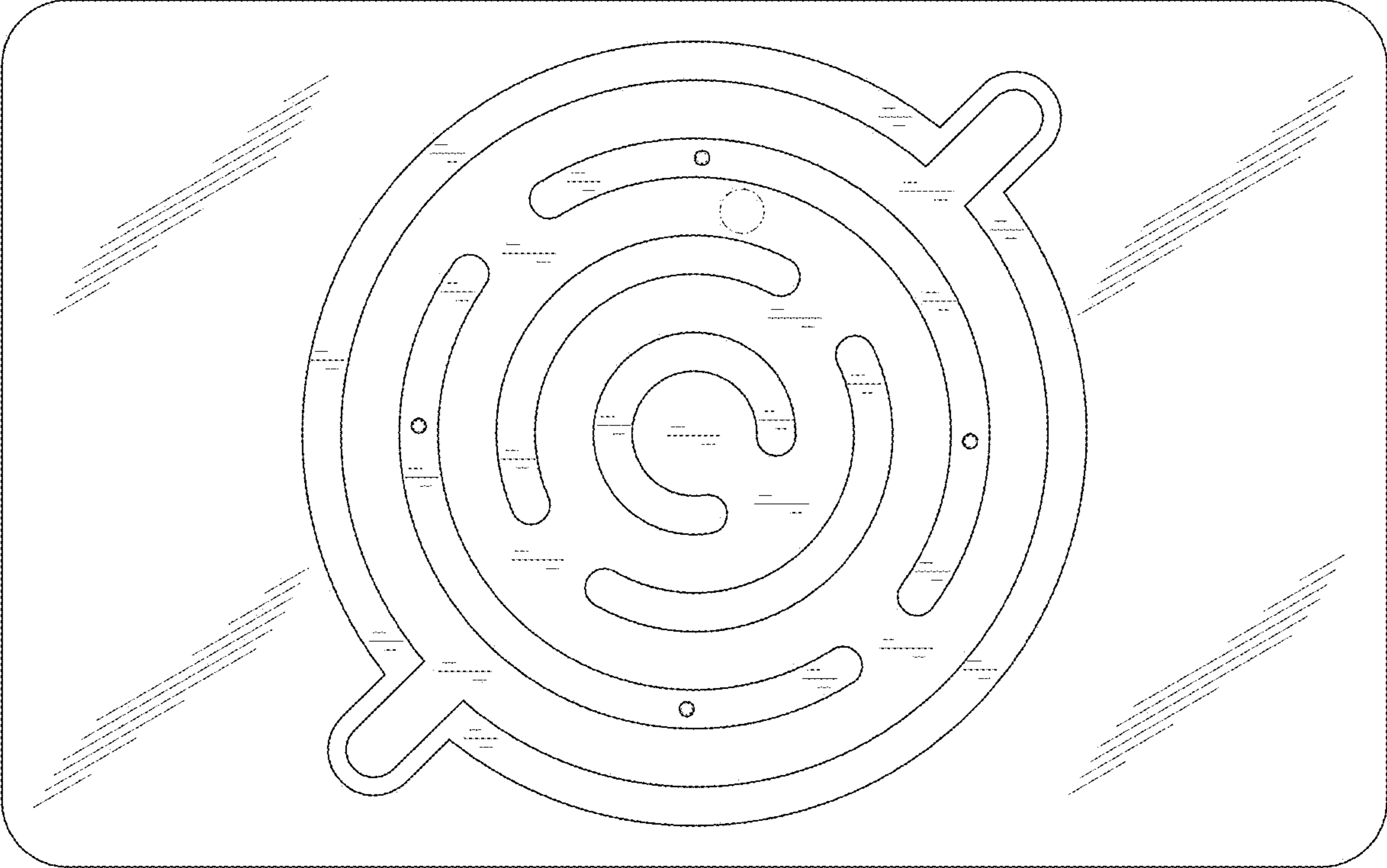


FIG. 6

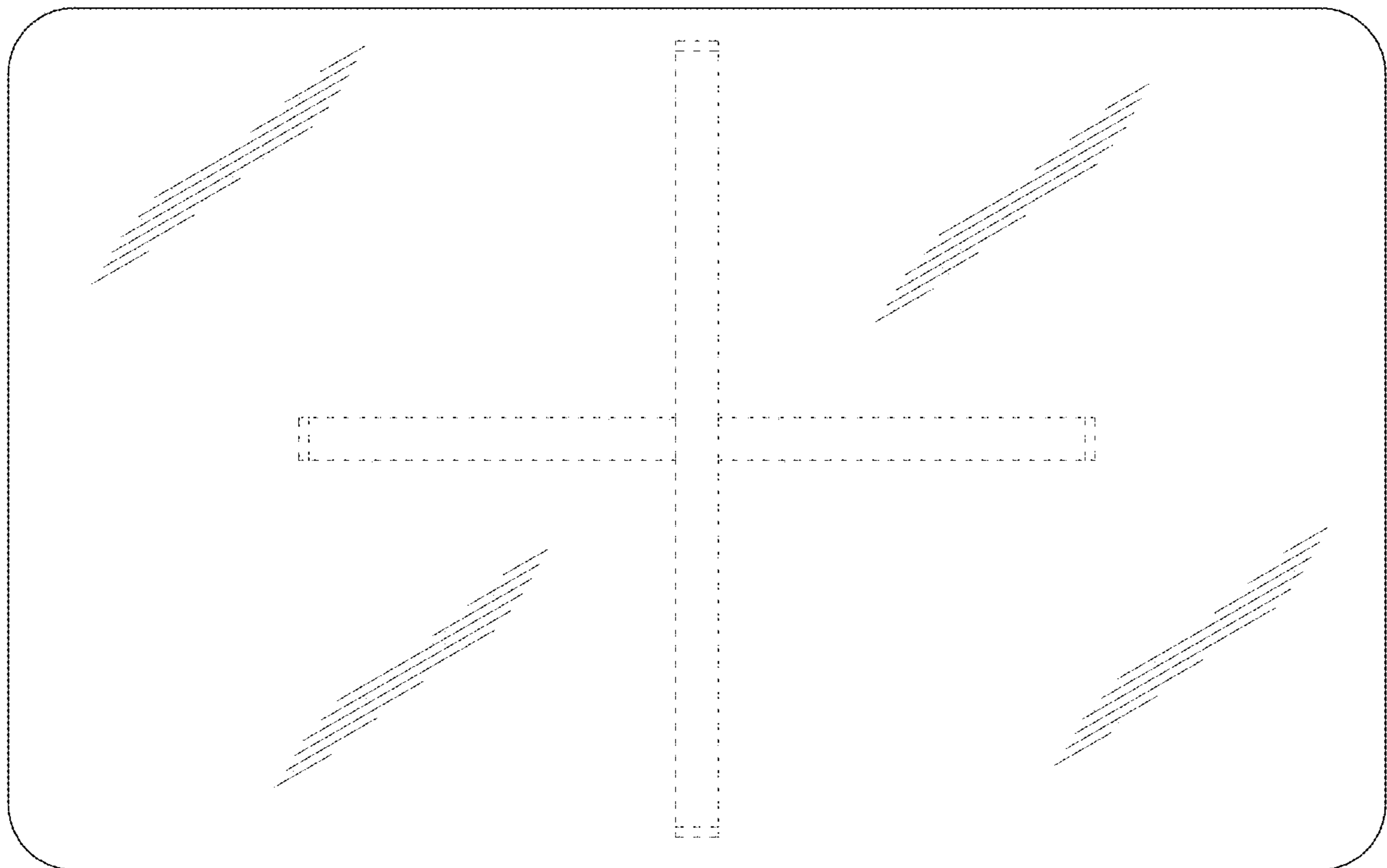


FIG. 7