



US00D960258S

(12) **United States Design Patent**
Khubani

(10) **Patent No.:** **US D960,258 S**

(45) **Date of Patent:** **** Aug. 9, 2022**

(54) **TOY RACE TRACK STRAIGHTAWAY SEGMENT**

(71) Applicant: **Ontel Products Corporation**, Fairfield, NJ (US)

(72) Inventor: **Ashok Khubani**, Palm Beach Gardens, FL (US)

(73) Assignee: **Ontel Products Corporation**, Fairfield, NJ (US)

(**) Term: **15 Years**

(21) Appl. No.: **29/732,988**

(22) Filed: **Apr. 29, 2020**

(51) **LOC (13) Cl.** **21-01**

(52) **U.S. Cl.**
USPC **D21/565**

(58) **Field of Classification Search**
USPC D21/484, 493, 495, 509, 564, 565
CPC A63H 18/00; A63H 18/026; A63H 18/028
See application file for complete search history.

(56) **References Cited**

U.S. PATENT DOCUMENTS

| | | | |
|----------------|--------|----------------------|------------------------|
| D306,466 S | 3/1990 | Elliott et al. | |
| 6,601,774 B1 * | 8/2003 | Kasimoff | A63H 18/02 104/60 |
| 6,883,720 B2 * | 4/2005 | D'Angelo, Jr. | A63H 18/02 238/10 E |
| D644,697 S | 9/2011 | Mimlitch, III et al. | |
| D651,661 S * | 1/2012 | Yuen | D21/565 |
| D659,201 S | 5/2012 | Glickman | |
| D660,379 S | 5/2012 | Glickman | |
| D689,141 S * | 9/2013 | Mimlitch, III | D21/565 |
| D689,144 S | 9/2013 | Mimlitch, III et al. | |
| D689,145 S | 9/2013 | Mimlitch, III et al. | |
| 8,986,064 B2 * | 3/2015 | Spielberger | A63H 18/08 446/108 |

| | | | |
|---------------|---------|----------------|---------|
| D734,403 S * | 7/2015 | Womack | D21/565 |
| D832,369 S | 10/2018 | Johnson et al. | |
| 10,267,508 B2 | 4/2019 | Balanchi | |
| D858,654 S * | 9/2019 | Millar | D21/565 |
| D863,458 S * | 10/2019 | Balanchi | D21/565 |

(Continued)

OTHER PUBLICATIONS

Hot Wheels Track Builder Pack Unlimited Premium Curve Parts, Jan. 1, 2020, amazon.com Dec. 13, 2021, URL: https://www.amazon.com/Hot-Wheels-Track-BUILDER-Assorted/dp/B07XG6XRSX/ref=psdc_166626011_t1_B0721CGJMT (Year: 2020).*

(Continued)

Primary Examiner — Keith J Wilson

(74) *Attorney, Agent, or Firm* — Dickinson Wright, PLLC

(57) **CLAIM**

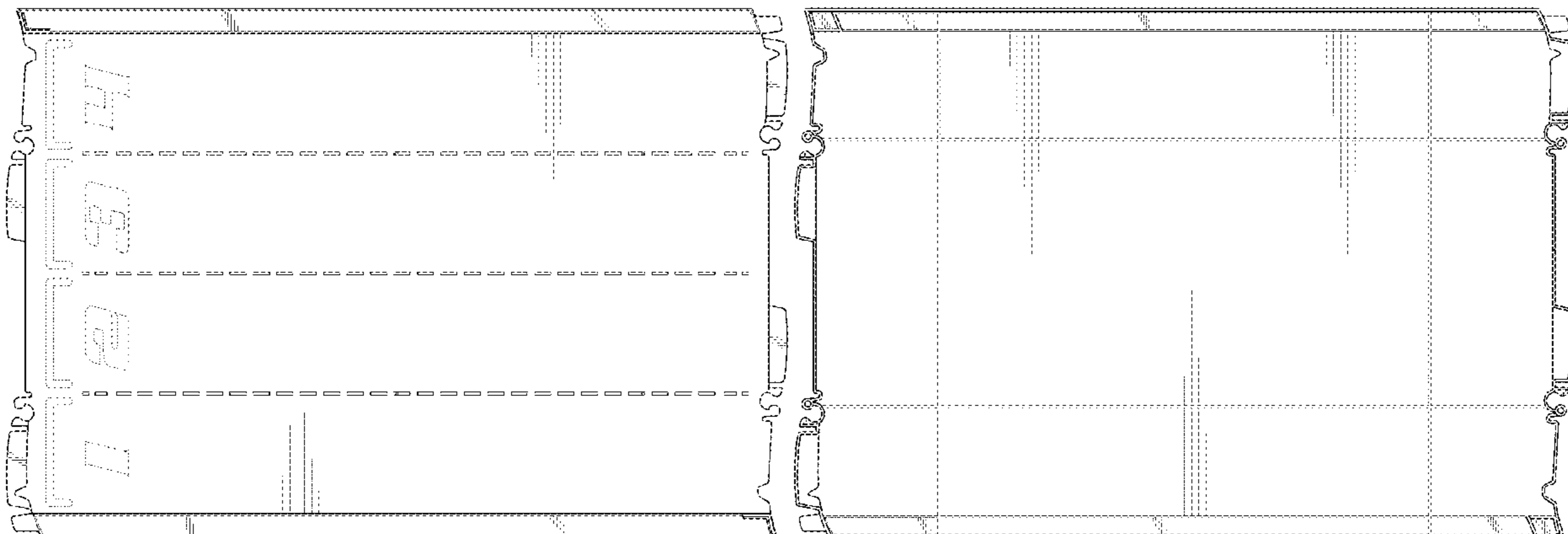
The ornamental design for a toy race track straightaway segment, as shown and described.

DESCRIPTION

FIG. 1 is a top, front perspective view of the toy race track straightaway segment, showing my new design;
FIG. 2 is a front view of the toy race track straightaway segment;
FIG. 3 is a rear view of the toy race track straightaway segment;
FIG. 4 is a top view of the toy race track straightaway segment;
FIG. 5 is a bottom view of the toy race track straightaway segment;
FIG. 6 is a right side view of the toy race track straightaway segment; and,
FIG. 7 is a left side view of the toy race track straightaway segment.

The broken lines in the drawings illustrate environment and portions of the toy race track straightaway segment that form no part of the claimed design.

1 Claim, 4 Drawing Sheets



(56)

References Cited

U.S. PATENT DOCUMENTS

2008/0265049 A1* 10/2008 Stadlbauer A63H 18/08
238/10 F
2018/0128477 A1* 5/2018 Balanchi F21V 33/008
2019/0192983 A1* 6/2019 Silvergate A63H 18/028

OTHER PUBLICATIONS

Carrera GO!!! 61666 Connecting Section, Nov. 13, 2017, amazon.com, Dec. 13, 2021, Dec. 13, 2021, URL: <https://www.amazon.com/Carrera-61666-Connecting-Section-Later/dp/B0742R5SQG> (Year: 2017).*

Carrera 20509 Standard Straights Track Extension, Sep. 26, 2006, amazon.com, Dec. 13, 2021, URL: <https://www.amazon.com/Carrera-20509-Straights-Extension-Evolution/dp/B0002FQKLG> (Year: 2006).*

* cited by examiner

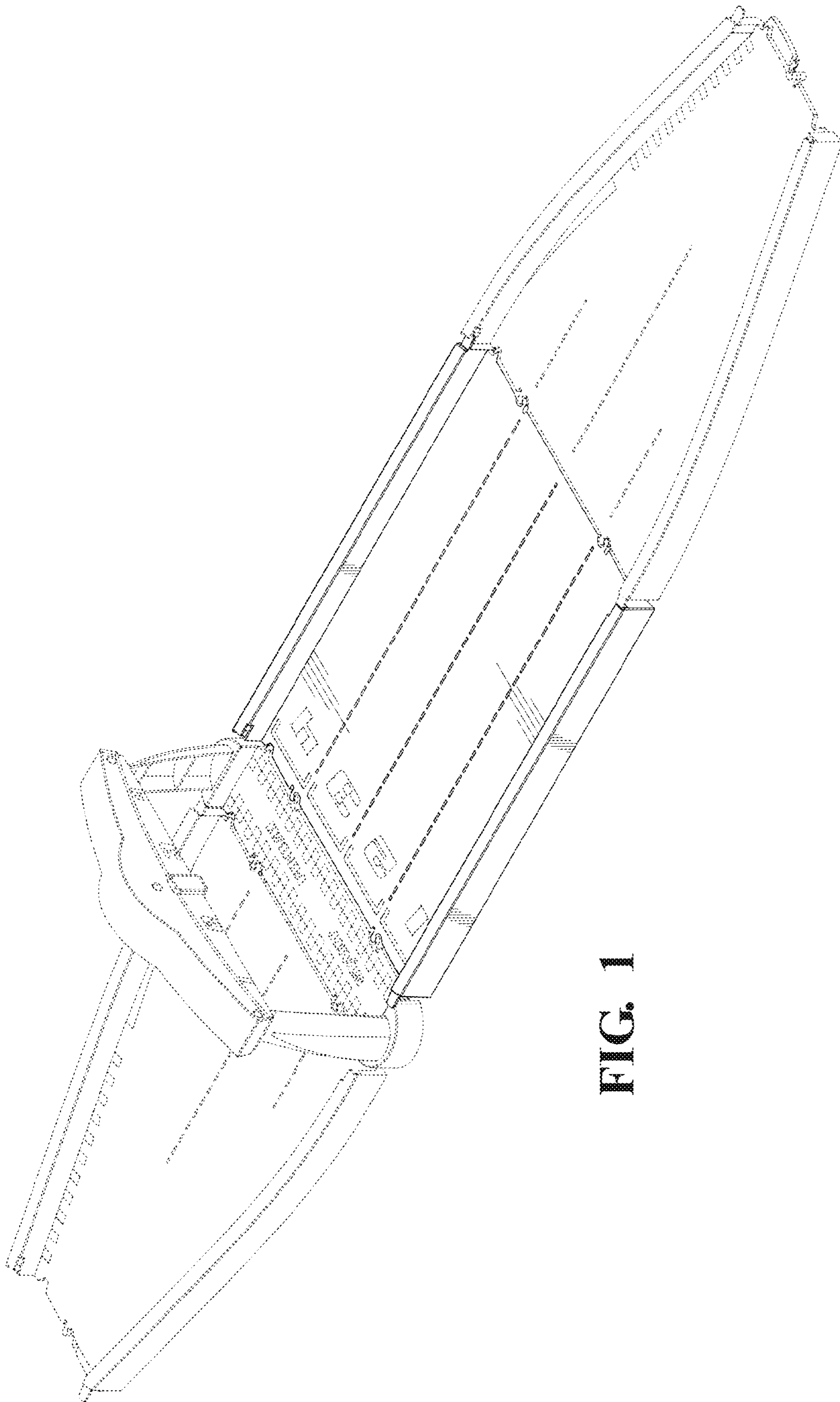


FIG. 1

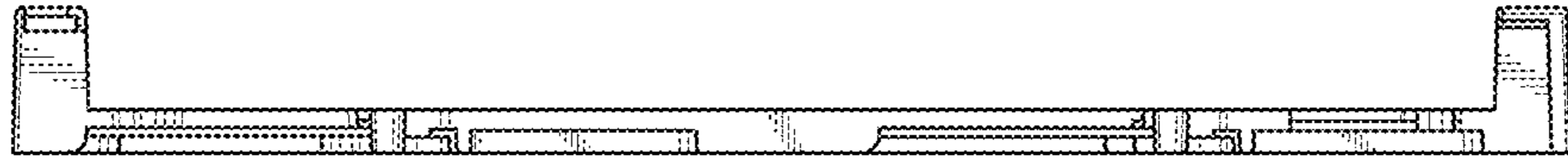


FIG. 2



FIG. 3

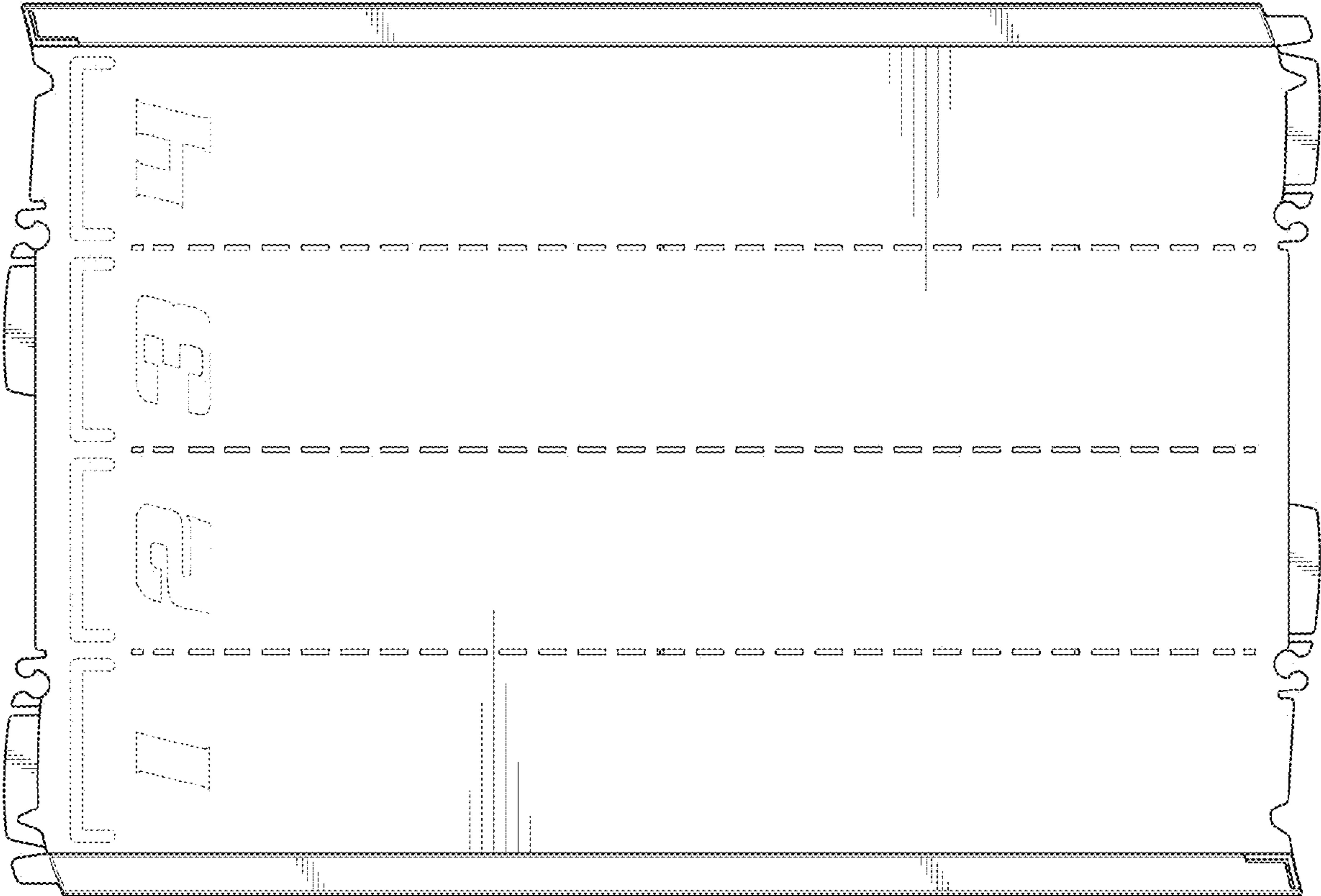


FIG. 4

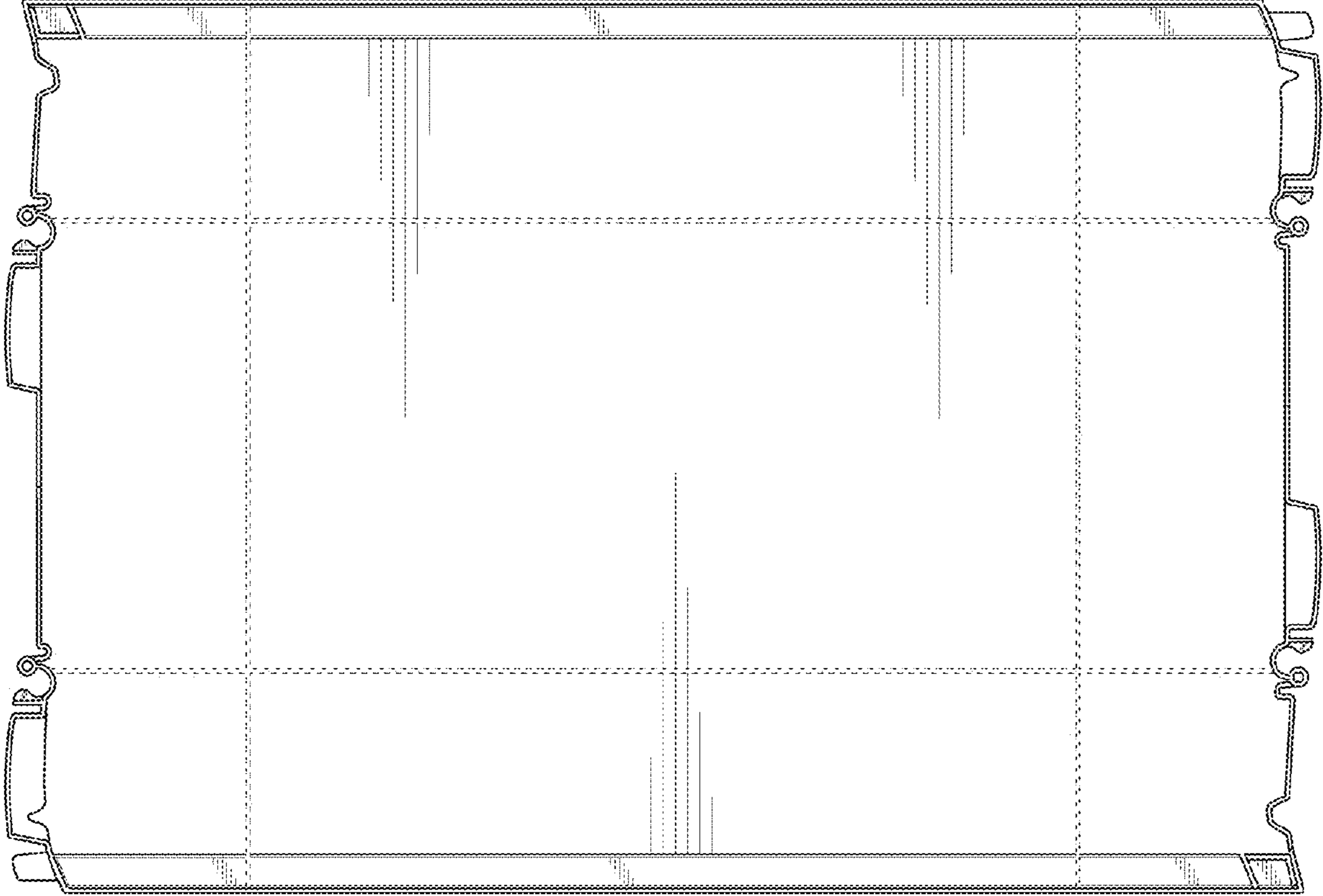


FIG. 5

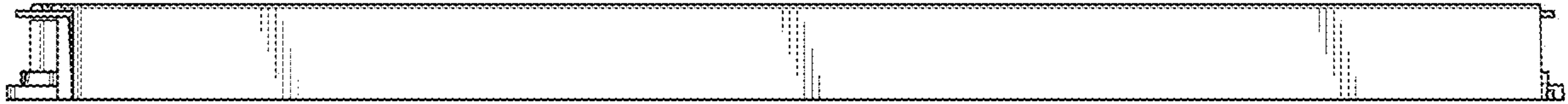


FIG. 6



FIG. 7