



US00D960257S

(12) **United States Design Patent** (10) **Patent No.:** **US D960,257 S**  
**Khubani** (45) **Date of Patent:** **\*\* Aug. 9, 2022**

(54) **TOY RACE TRACK BOTTLENECK SEGMENT**

(71) Applicant: **Ontel Products Corporation**, Fairfield, NJ (US)

(72) Inventor: **Ashok Khubani**, Palm Beach Gardens, FL (US)

(73) Assignee: **Ontel Products Corporation**, Fairfield, NJ (US)

(\*\*) Term: **15 Years**

(21) Appl. No.: **29/732,985**

(22) Filed: **Apr. 29, 2020**

(51) **LOC (13) Cl.** ..... **21-01**

(52) **U.S. Cl.**  
USPC ..... **D21/564**

(58) **Field of Classification Search**  
USPC ..... D21/484, 493, 495, 509, 564, 565  
CPC ..... A63H 18/00; A63H 18/026; A63H 18/028  
See application file for complete search history.

(56) **References Cited**

**U.S. PATENT DOCUMENTS**

D382,027 S *	8/1997	Petersson	.....	D21/565
D660,382 S	5/2012	Glickman		
D689,141 S *	9/2013	Mimlitch, III	.....	D21/565
8,597,069 B2	12/2013	Glickman		
D886,212 S *	6/2020	Marko	.....	D21/565
D917,631 S *	4/2021	Wang	.....	D21/564
2019/0192983 A1 *	6/2019	Silverglate	.....	A63H 18/028
2021/0031118 A1 *	2/2021	Cao	.....	A63H 18/023

**FOREIGN PATENT DOCUMENTS**

CN	103153414 A	6/2013
TW	I445569 B	7/2014
WO	2012047513 A1	4/2012

**OTHER PUBLICATIONS**

Wooden Train Track 52 Piece Set—18 Feet Of Track Expansion, Dec. 15, 2013, amazon.com, Dec. 10, 2021, URL: <https://www.amazon.com/dp/B005AW85YG/> (Year: 2013).\*  
Carrera 20061618 Slot Car Racing Accessory, Mar. 9, 2018, amazon.com, Dec. 10, 2021, URL: <https://www.amazon.com/GO-Carrera-Mechanical-Change-Section/dp/B0009U7KV8/> (Year: 2018).\*  
ONTOPON Attachment Toy Car Intersection X Cross, Jan. 6, 2019, amazon.com, Dec. 10, 2021, URL: <https://www.amazon.com/dp/B07CXZFQKR/> (Year: 2019).\*

\* cited by examiner

*Primary Examiner* — Keith J Wilson

(74) *Attorney, Agent, or Firm* — Dickinson Wright, PLLC

(57) **CLAIM**

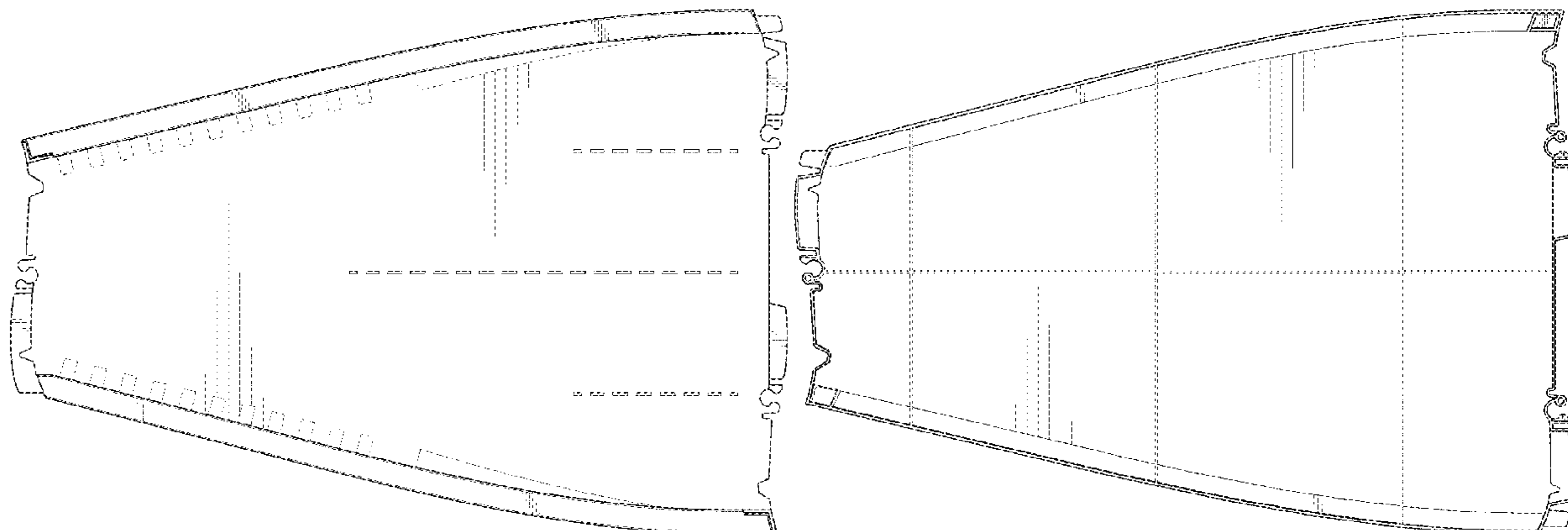
The ornamental design for a toy race track bottleneck segment, as shown and described.

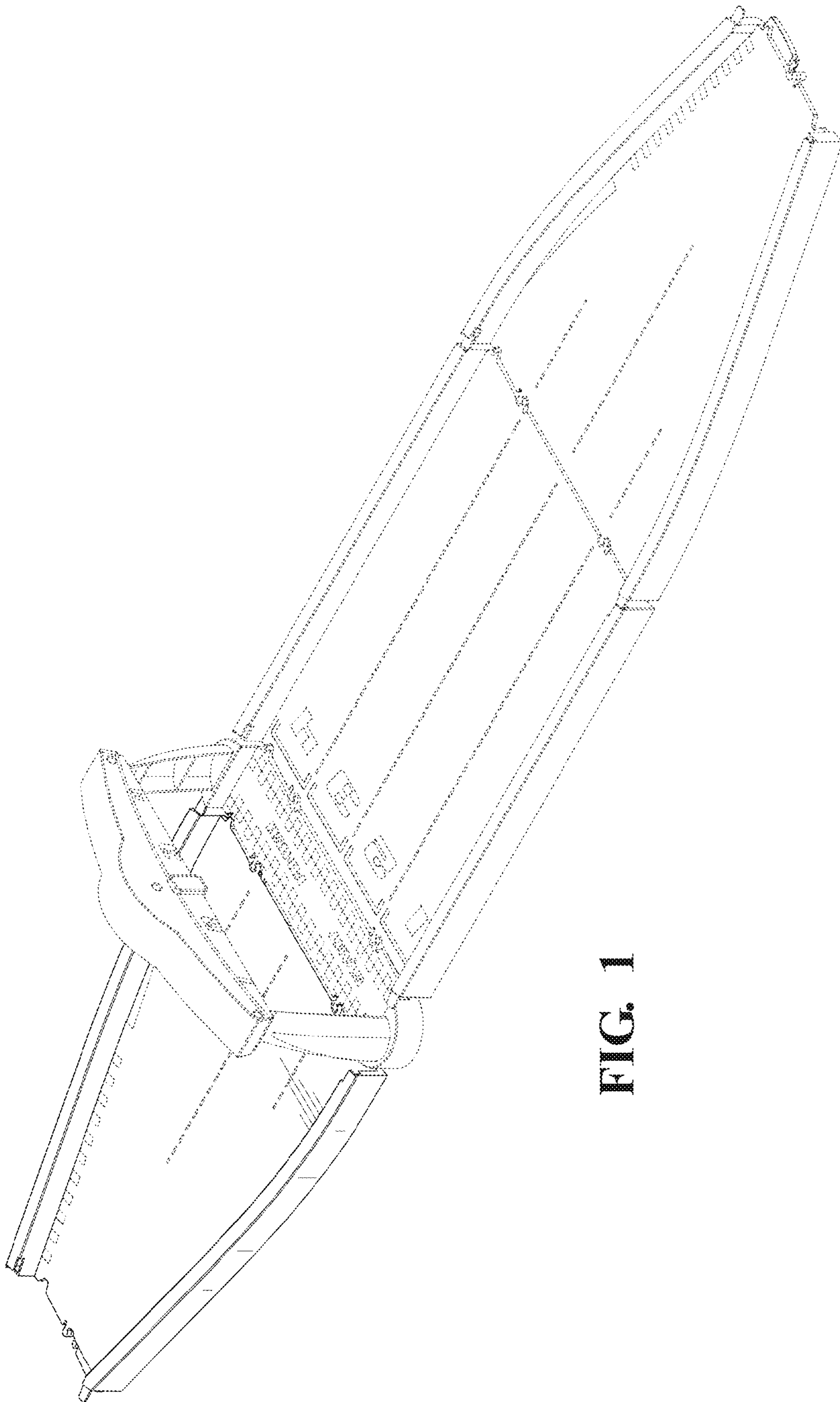
**DESCRIPTION**

FIG. 1 is a top, front perspective view of the toy race track bottleneck segment, showing my new design;  
FIG. 2 is a front view of the toy race track bottleneck segment;  
FIG. 3 is a rear view of the toy race track bottleneck segment;  
FIG. 4 is a top view of the toy race track bottleneck segment;  
FIG. 5 is a bottom view of the toy race track bottleneck segment;  
FIG. 6 is a right side view of the toy race track bottleneck segment; and,  
FIG. 7 is a left side view of the toy race track bottleneck segment.

The broken lines in the drawings illustrate environment and portions of the toy race track bottleneck segment that form no part of the claimed design.

**1 Claim, 4 Drawing Sheets**





**FIG. 1**



**FIG. 2**



**FIG. 3**

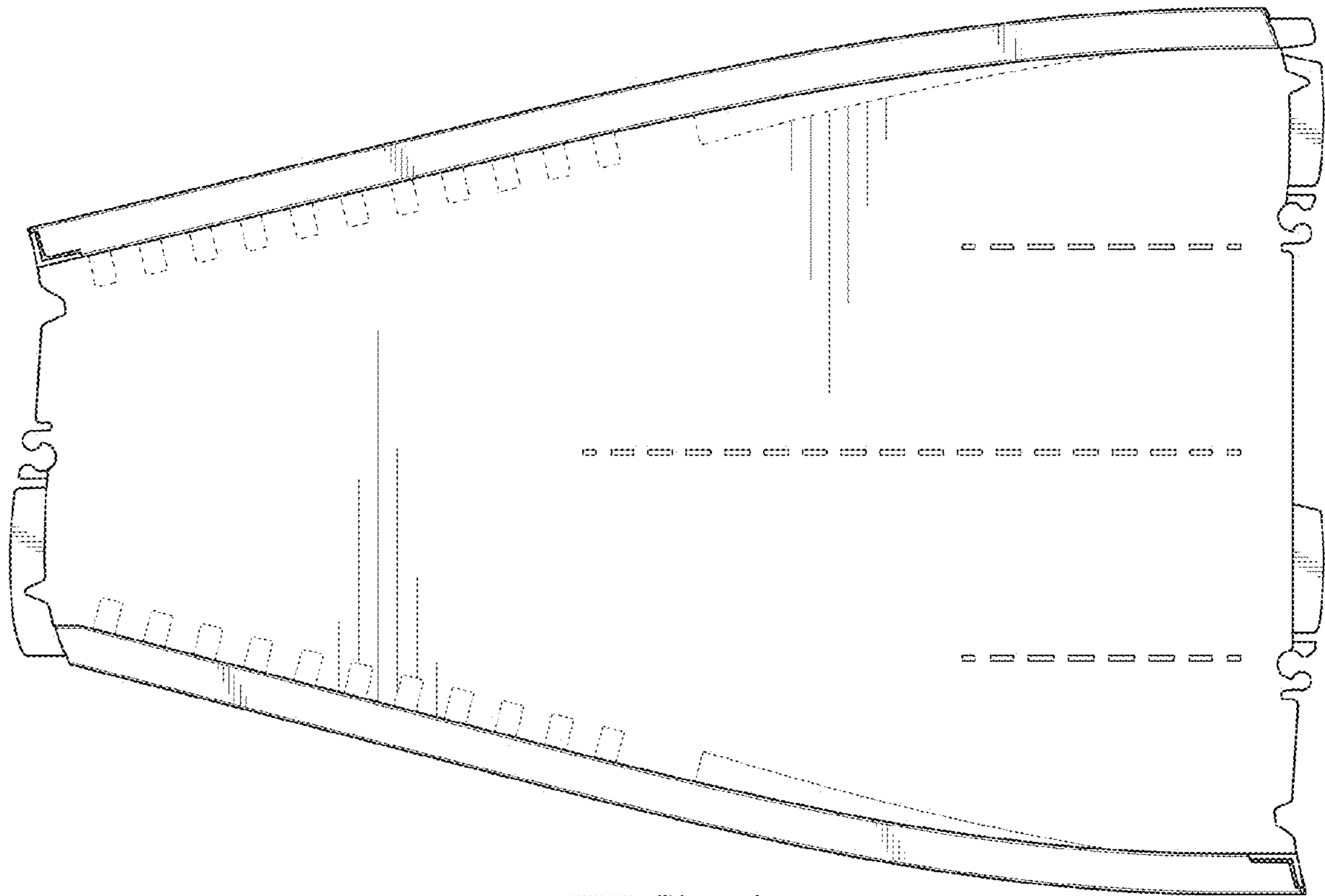


FIG. 4

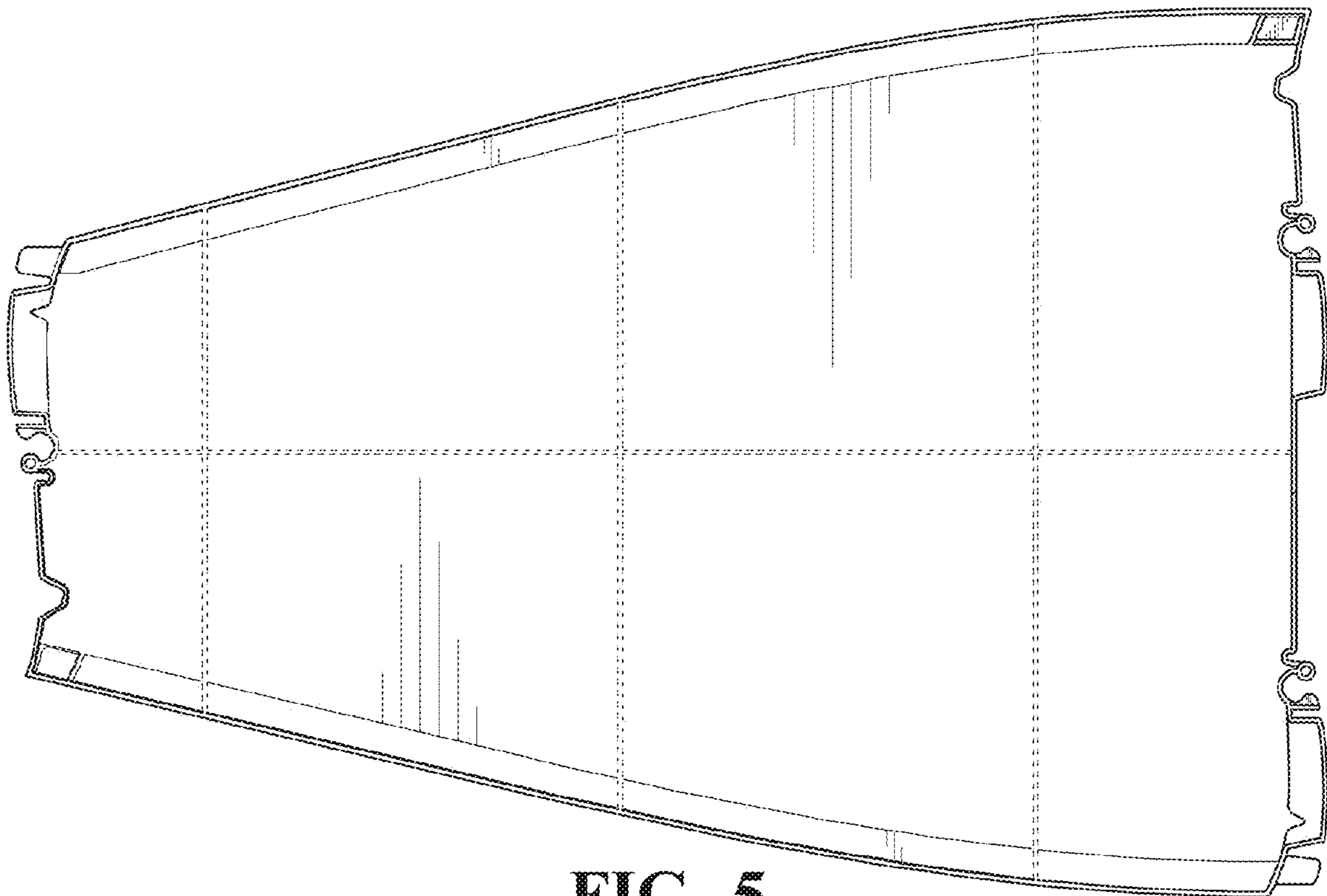
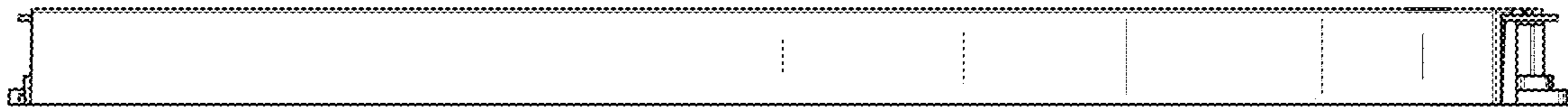


FIG. 5



**FIG. 6**



**FIG. 7**