

US00D960256S

(12) **United States Design Patent**
Chen

(10) **Patent No.:** **US D960,256 S**

(45) **Date of Patent:** **** Aug. 9, 2022**

(54) **BRACKET FOR CHRISTMAS TREE TRACK**

(71) Applicant: **Junzhe Chen**, Guangdong (CN)

(72) Inventor: **Junzhe Chen**, Guangdong (CN)

(**) Term: **15 Years**

(21) Appl. No.: **29/725,338**

(22) Filed: **Feb. 25, 2020**

(51) **LOC (13) Cl.** **21-01**

(52) **U.S. Cl.**
USPC **D21/564**

(58) **Field of Classification Search**
USPC D21/484, 493, 495, 509, 564, 565
CPC A63H 18/00; A63H 18/026; A63H 18/028
See application file for complete search history.

(56) **References Cited**

U.S. PATENT DOCUMENTS

3,590,679 A *	7/1971	Law	A63H 5/00
				84/102
D297,747 S *	9/1988	Leung	D21/564
D305,135 S *	12/1989	Ng	D21/564
D853,499 S *	7/2019	Kamiyama	D21/564
2016/0184723 A1 *	6/2016	Schwartz	A63H 19/30
				238/10 F

OTHER PUBLICATIONS

Mr. Christmas Oversized Animated Train Around The Tree, Feb. 12, 2019, amazon.com, Dec. 13, 2021, URL: <https://www.amazon.ca/>

Mr-Christmas-22849-Oversized-Decoration/dp/B07N3GH5CZ/ (Year: 2019).*

Lionel Polar Express Ready to Play Train Set, Nov. 9, 2016, amazon.com, Dec. 13, 2021, URL: <https://www.amazon.ca/Lionel-Polar-Express-Ready-Train/dp/B01C35QC4W> (Year: 2016).*

Track Car Toy, Plastic Simulated Race Rail Track Train Toy, Jul. 17, 2019, amazon.com, Dec. 13, 2021, URL: <https://www.amazon.ca/dp/B07VM6Q9QG> (Year: 2019).*

* cited by examiner

Primary Examiner — Keith J Wilson

(57) **CLAIM**

The ornamental design for a bracket for Christmas tree track, as shown and described.

DESCRIPTION

FIG. 1 is a perspective view of a bracket for Christmas tree track showing my new design;

FIG. 2 is a front elevational view thereof

FIG. 3 is a rear elevational view thereof;

FIG. 4 is a left side elevational view thereof;

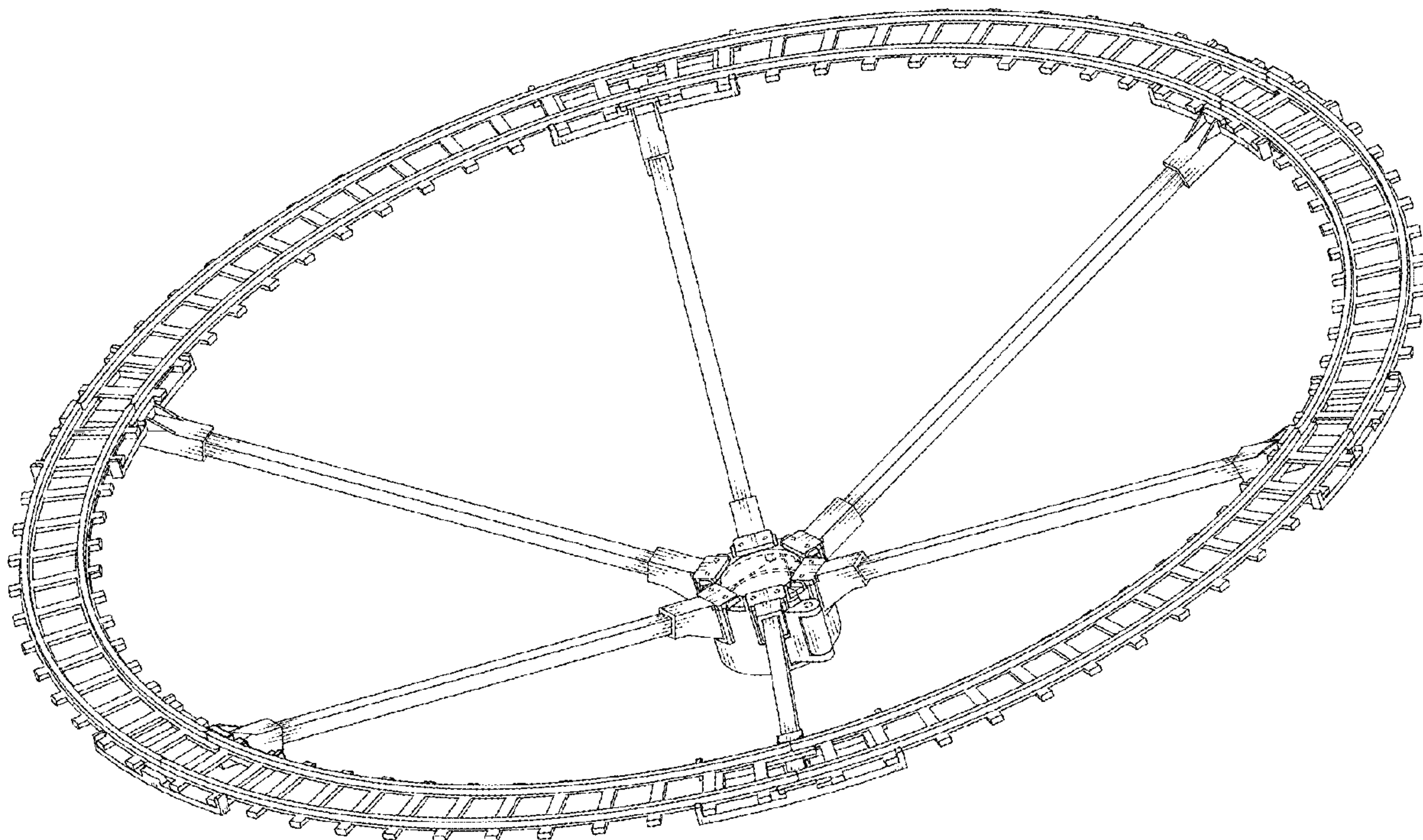
FIG. 5 is a right side elevational view thereof;

FIG. 6 is a top plan view thereof; and,

FIG. 7 is a bottom plan view thereof.

The broken lines shown in drawings are for the purpose of illustrating portions of the bracket for Christmas tree track and form no part of the claimed design.

1 Claim, 7 Drawing Sheets



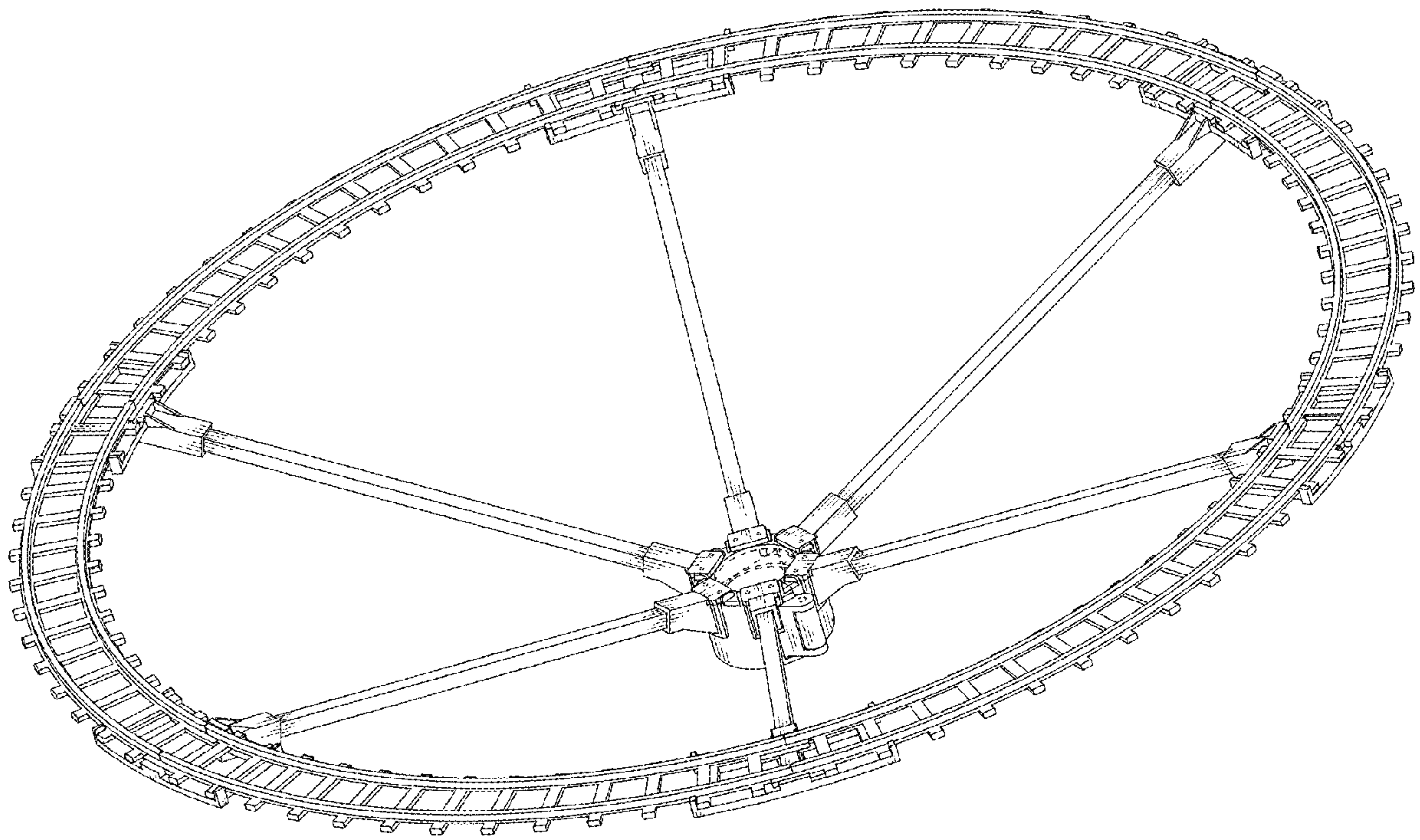


FIG.1

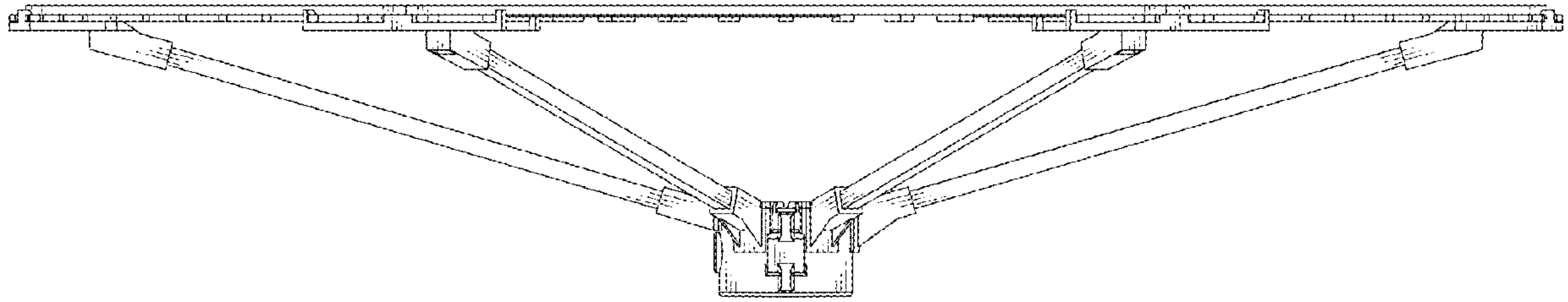


FIG.2

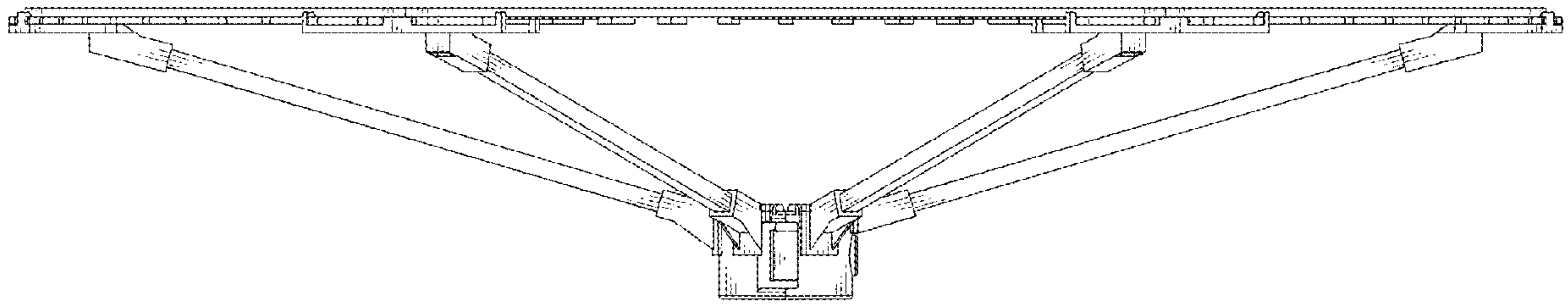


FIG.3

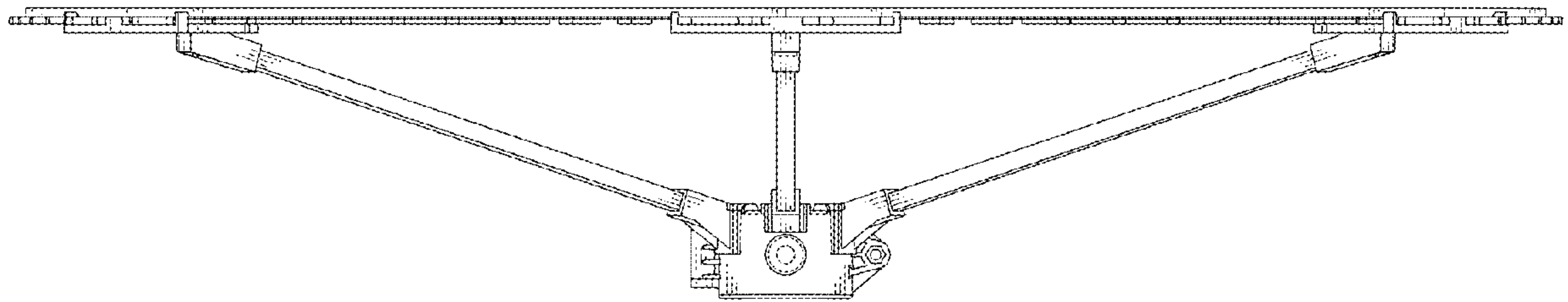


FIG.4

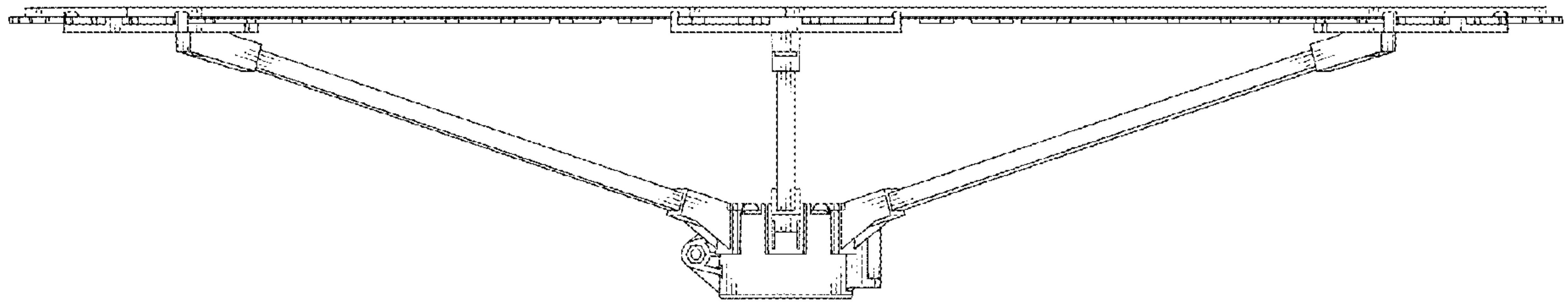


FIG.5

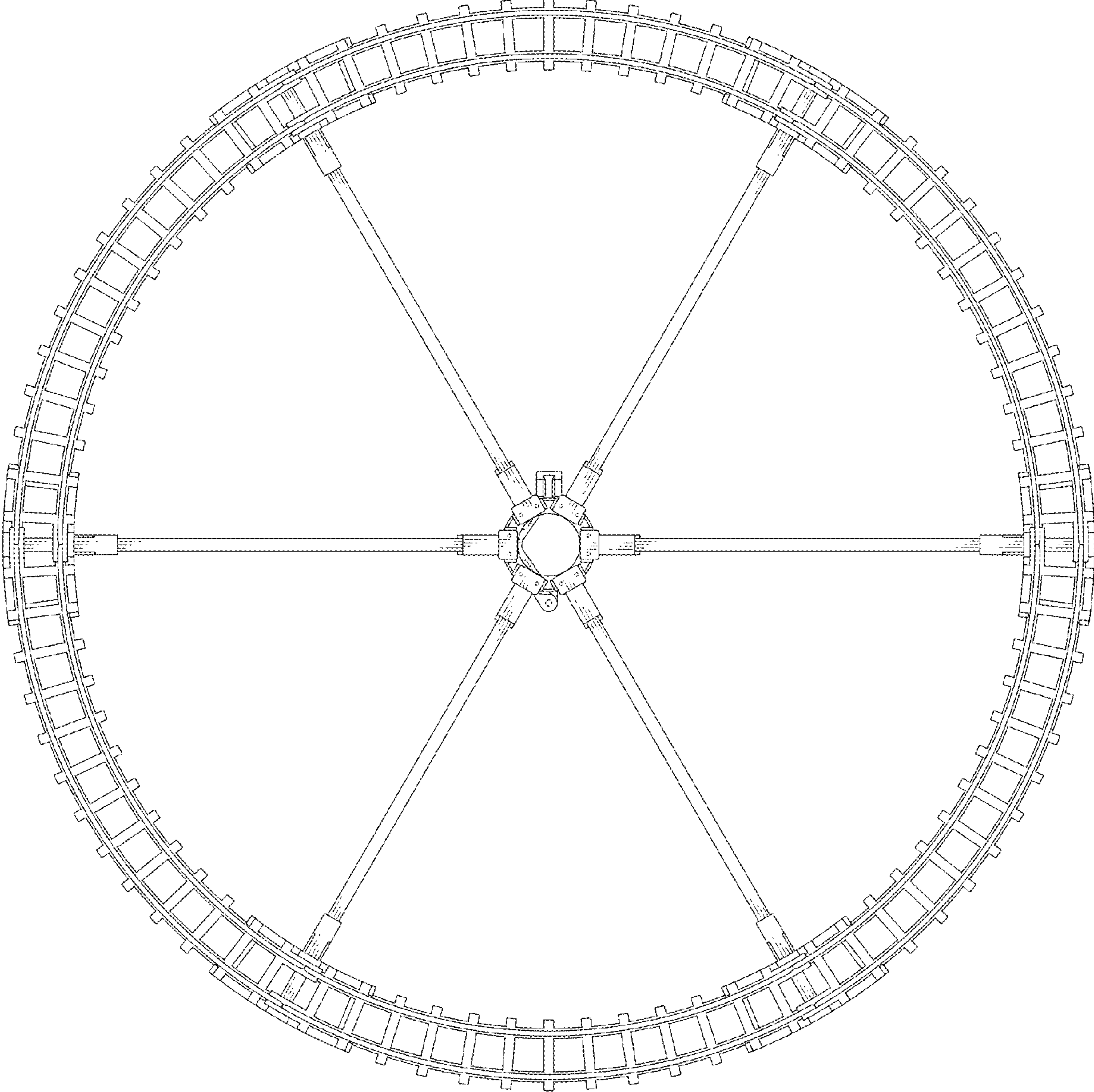


FIG.6

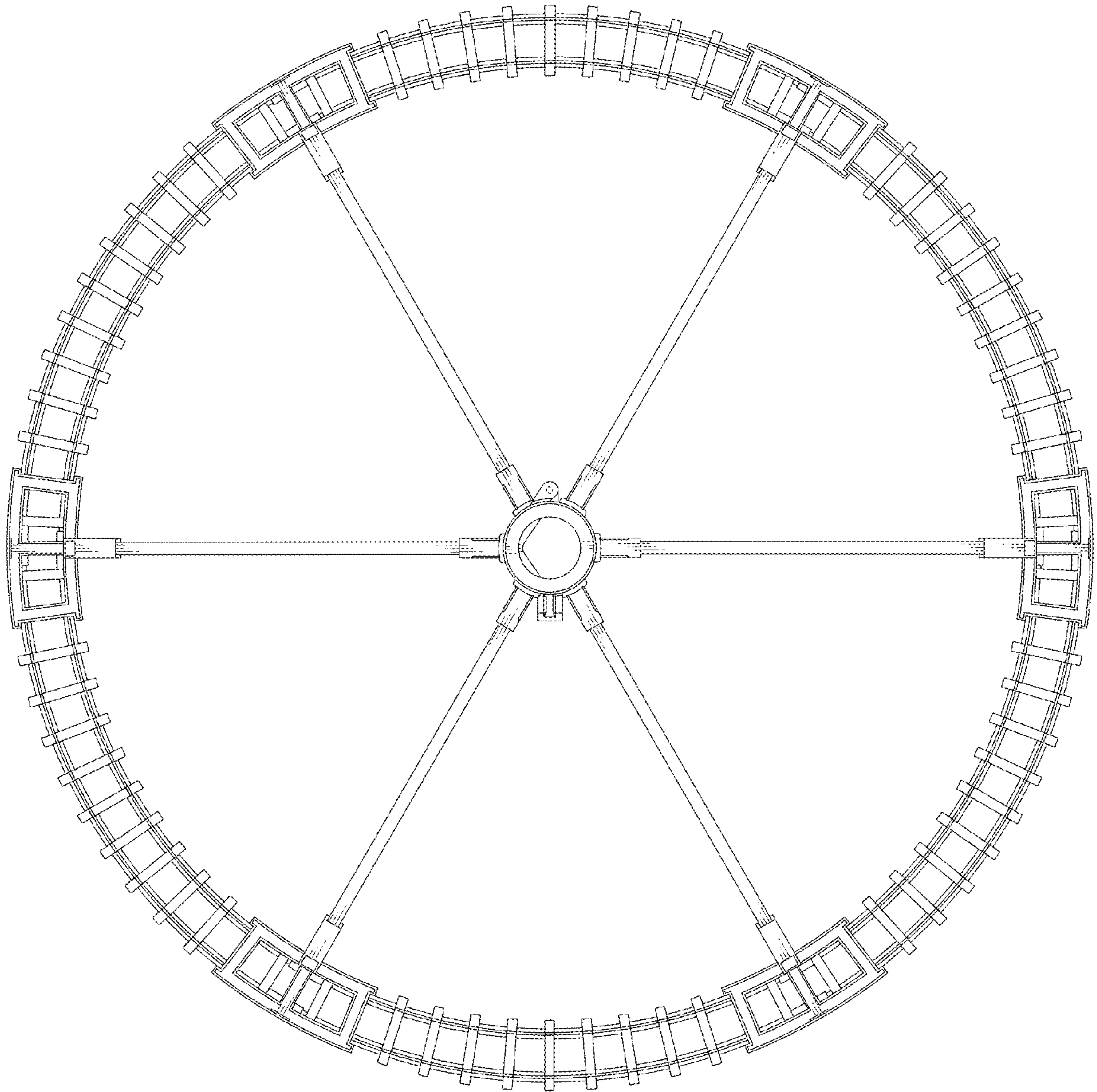


FIG.7