



US00D960255S

(12) **United States Design Patent** (10) **Patent No.:** **US D960,255 S**
Ewing et al. (45) **Date of Patent:** **** Aug. 9, 2022**

(54) **MODEL VEHICLE WHEELIE BAR ASSEMBLY**

D394,003 S 5/1998 Tate
D394,033 S 5/1998 Pingel et al.
5,809,755 A 9/1998 Velke et al.
5,908,345 A 6/1999 Choi

(71) Applicant: **TRAXXAS LP**, McKinney, TX (US)

(Continued)

(72) Inventors: **Adam Cole Ewing**, McKinney, TX (US); **Otto Karl Allmendinger**, Rowlett, TX (US)

FOREIGN PATENT DOCUMENTS

TW D135320 S 6/2010
TW D139245 S 3/2011

(73) Assignee: **TRAXXAS LP**, McKinney, TX (US)

OTHER PUBLICATIONS

(**) Term: **15 Years**

Traxxas 3678 Wheelie Bar Assembly for Traxxas, Apr. 11, 2007, amazon.com, Dec. 15, 2021, URL: <https://www.amazon.com/Traxxas-Wheelie-Assembly-Electric-Vehicles/dp/B000NSW0AW> (Year: 2007).*

(Continued)

(21) Appl. No.: **29/730,209**

(22) Filed: **Apr. 2, 2020**

(51) **LOC (13) Cl.** **21-01**

(52) **U.S. Cl.**
USPC **D21/562**

(58) **Field of Classification Search**
USPC D21/495, 502, 561, 562; D12/159, 160
CPC A63H 33/042; A63H 3/16; A63H 30/00;
A63H 7/04; A63H 31/00; A63H 3/50;
A63H 17/26; A63H 17/36; A63H 17/262;
A63H 17/264

See application file for complete search history.

Primary Examiner — Keith J Wilson

(74) *Attorney, Agent, or Firm* — Daryl R. Wright; Greg Carr

(57) **CLAIM**

We claim the ornamental design for a model vehicle wheelie bar assembly, as shown and described.

DESCRIPTION

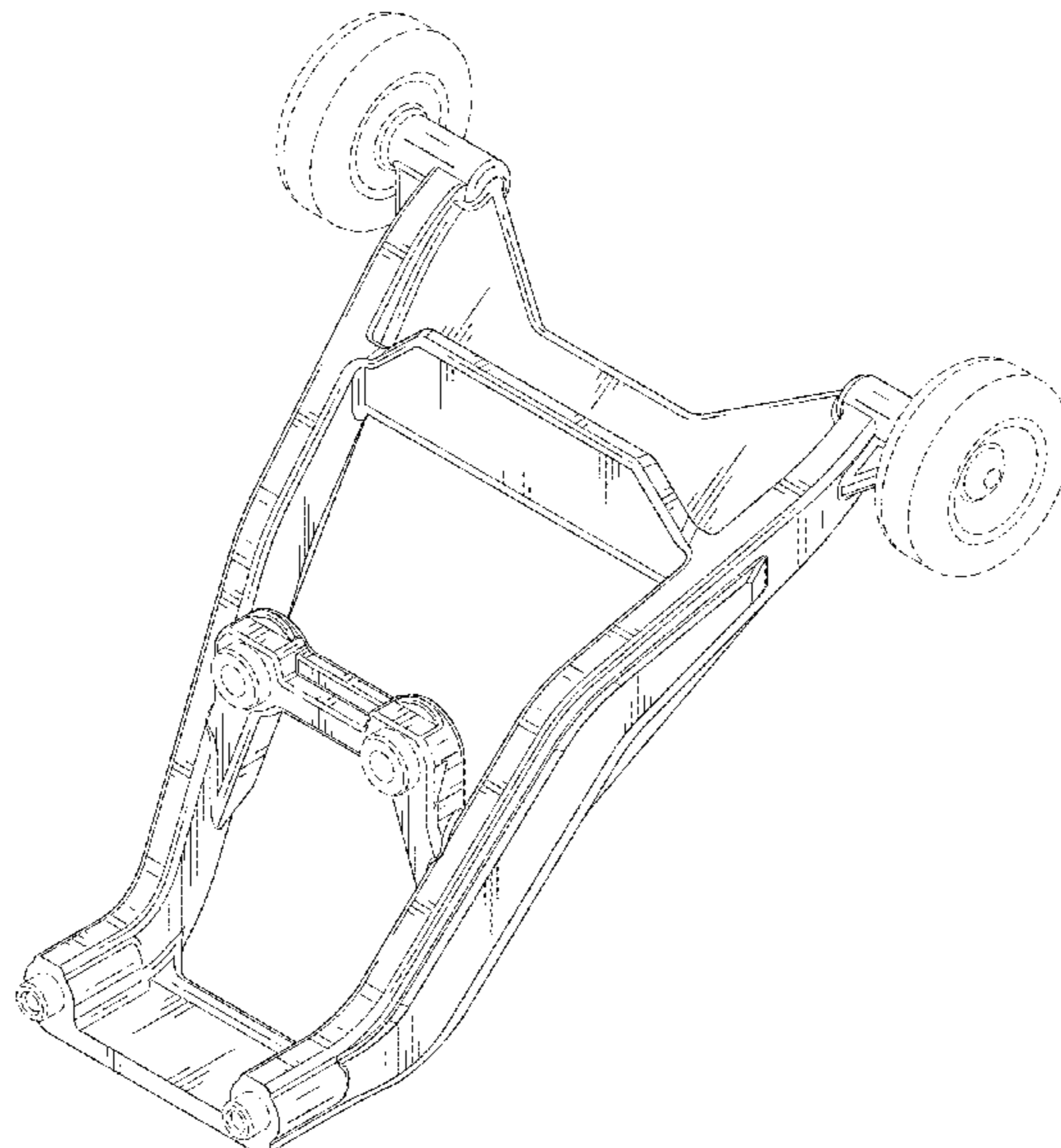
FIG. 1 is an upper, left, front perspective view of a model vehicle wheelie bar assembly showing our new design; FIG. 2 is a front elevation view thereof; FIG. 3 is a rear elevation view thereof; FIG. 4 is a left side elevation view thereof; FIG. 5 is a right side elevation view thereof; FIG. 6 is an upper plan view thereof; FIG. 7 is a lower plan view thereof; and, FIG. 8 is a lower, right, rear perspective view of the model vehicle wheelie bar assembly. The broken lines in the drawings illustrate portions of the model vehicle wheelie bar assembly that form no part of the claimed design.

(56) **References Cited**

U.S. PATENT DOCUMENTS

3,997,185 A 12/1976 Parrilla
4,007,949 A 2/1977 Norcia et al.
4,108,267 A 8/1978 Valerio
4,154,452 A 5/1979 Newman
4,773,889 A 9/1988 Rosenwinkel et al.
4,988,120 A 1/1991 Jones
5,186,269 A 2/1993 Avakian et al.
5,330,221 A 7/1994 Sutton
5,354,092 A 10/1994 Calvert
5,368,323 A 11/1994 Young
5,431,444 A 7/1995 Kenealy
D366,636 S 1/1996 Smith

1 Claim, 8 Drawing Sheets



(56)

References Cited

OTHER PUBLICATIONS

U.S. PATENT DOCUMENTS

5,938,238	A	8/1999	Lamb	
6,059,055	A	5/2000	Velke et al.	
6,094,897	A	8/2000	Velke et al.	
6,189,304	B1	2/2001	Velke et al.	
6,327,839	B1	12/2001	Velke et al.	
6,416,067	B1	7/2002	Kugler	
6,516,596	B2	2/2003	Velke et al.	
6,517,092	B2	2/2003	Humphrey	
6,540,583	B1	4/2003	Hoeting et al.	
6,688,090	B2	2/2004	Velke et al.	
6,912,831	B2	7/2005	Velke et al.	
6,994,368	B2	2/2006	Brown	
7,048,285	B1	5/2006	Yates	
D546,751	S	7/2007	Laatz	
D567,886	S	4/2008	Lampert et al.	
7,578,721	B1 *	8/2009	Allmendinger A63H 17/16 446/431
8,075,011	B1	12/2011	Duzzny	
8,590,909	B2	11/2013	Calvert	
D771,537	S	11/2016	Hare	
D777,619	S	1/2017	Barajas et al.	
D785,504	S	5/2017	Higgs	
D828,460	S *	9/2018	Wood D21/562
D828,796	S *	9/2018	Allmendinger D12/171
D867,475	S *	11/2019	Ewing A63H 17/262 D21/561
D880,375	S *	4/2020	McGaughy D12/160
D902,089	S *	11/2020	Ewing D12/159
D902,090	S *	11/2020	Ewing D12/159
D905,798	S *	12/2020	Ewing D21/562
D905,799	S *	12/2020	Ewing D21/562
D923,115	S *	6/2021	Ewing D21/562
2001/0014569	A1	8/2001	Baker	
2002/0096849	A1	7/2002	Bang	
2003/0024752	A1	2/2003	Mayer et al.	
2003/0077979	A1	4/2003	Hoeting et al.	
2004/0004335	A1 *	1/2004	Rudder B60G 11/181 280/86.751

Traxxas 3678X Blue Wheelie Bar, Assembled, Sep. 13, 2012, amazon.com, Dec. 15, 2021, URL: <https://www.amazon.com/Traxxas-3678X-Wheelie-Assembled-Stampede/dp/B009PBU6L8/> (Year: 2012).*

Traxxas TRA6776 Wheelie Bar, Mar. 28, 2020, amazon.com, Dec. 15, 2021, URL: <https://www.amazon.com/Traxxas-TRA6776-Wheelie-Bar/dp/B07JB95TNK/> (Year: 2020).*

Taiwan IPO Search Report; completed Oct. 16, 2017; in Taiwanese Design Patent Application No. 106302003.

Traxxas; Wheelie Bar, Overview; Aug. 2011; www.traxxas.com/products/parts/5472.

HPI Racing; Wheelie Bar Set for Savage #85245; Jun. 2016; www.hpiracing.com/en/part/85245.

HPI, "Savage Wheelie Bar" Oct. 19, 2005, web page: [www.hpiracing.com/products/en/85245/HPI Racing, Foothill Ranch, CA, USA](http://www.hpiracing.com/products/en/85245/HPI-Racing-Foothill-Ranch-CA-USA).

New Era Models "Wheelie Bar" Dec. 15, 2005, web page: http://www.rchobbies.net/index.php?main_page=product_info&products_id=3415.

Tork n Dork, "Wheelie Bar" Sep. 8, 2005, web page: www.torkndork.com/wheeliebar.html Tork n Dork, Quebec, CA.

Traxxas, "ESP Rear Bumper with Wheelie Bar T/E Maxx" Dec. 16, 2005 web page: <http://www3.towerhobbies.com/cgi-bin/wti0001p?&l=LXXA00&P=ML> Traxxas LP, Plano, TX USA.

Traxxas, "Ultimate Maxx Wheelie Bar", Dec. 16, 2005, web page: http://www.rlhobbies.com/cart/prod_detail.php?prodid=PCI0100 Traxxas LP, Plano, TX, USA.

Trinity, "Wheelie Bar Set T/E Maxx", Dec. 16, 2005, web page: <http://www3.towerhobbies.com/cgi-bin/wti0001p?&I=LXZH42&P=7> Trinity, Piscataway, NJ, USA.

Unknown, Wheelie Bar Apparatus, Dec. 16, 2005, web page: www.RLhobbies.com; 2 photographs.

Unknown, Wheelie Bar Apparatus, Dec. 16, 2005, web page: www.RLhobbies.com; 1 photograph.

Unknown, Wheelie Bar Apparatus, Sep. 8, 2005, 3 photographs.

Unknown, Wheelie Bar Apparatus, Sep. 8, 2005, 1 photograph.

* cited by examiner

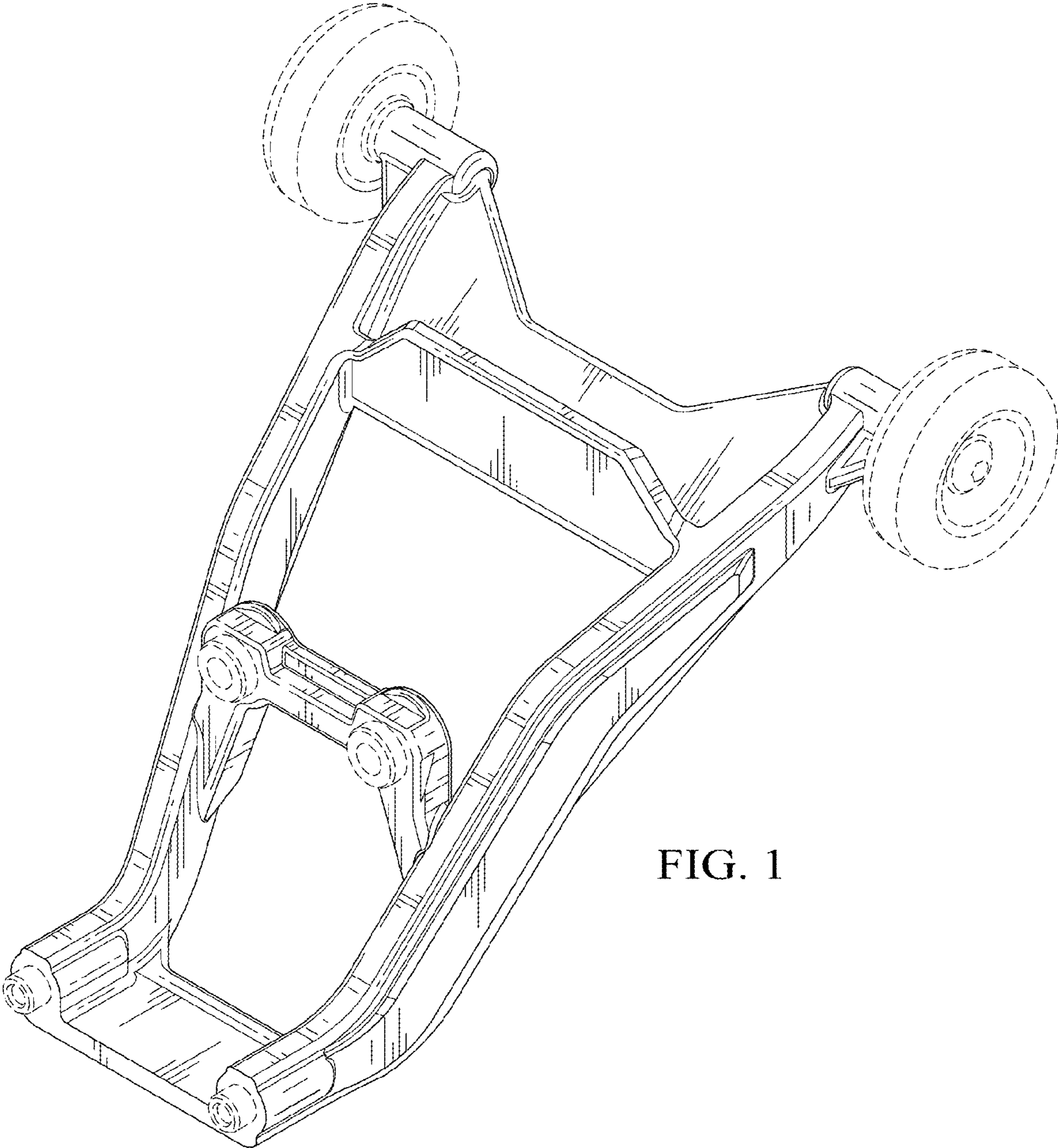


FIG. 1

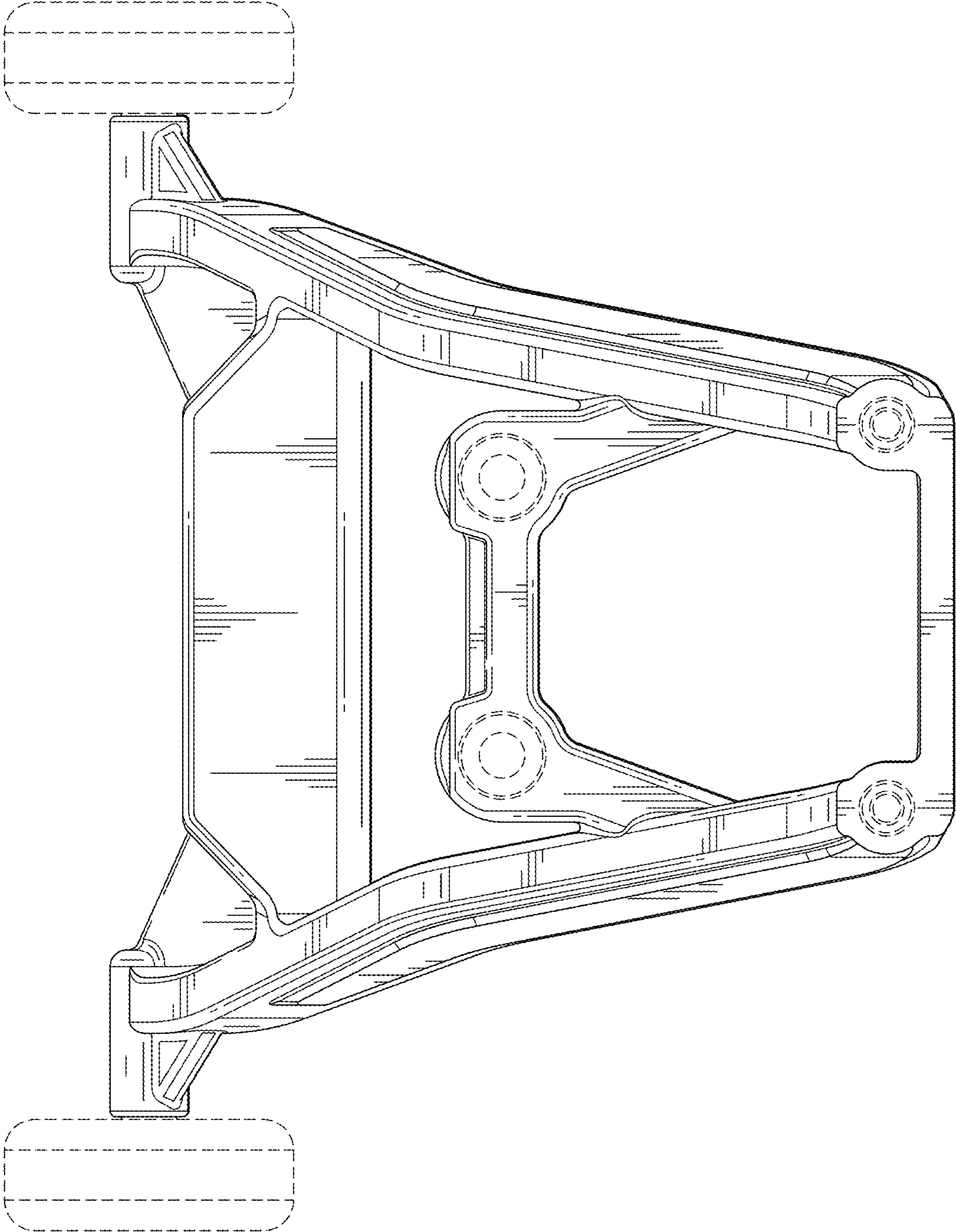


FIG. 2

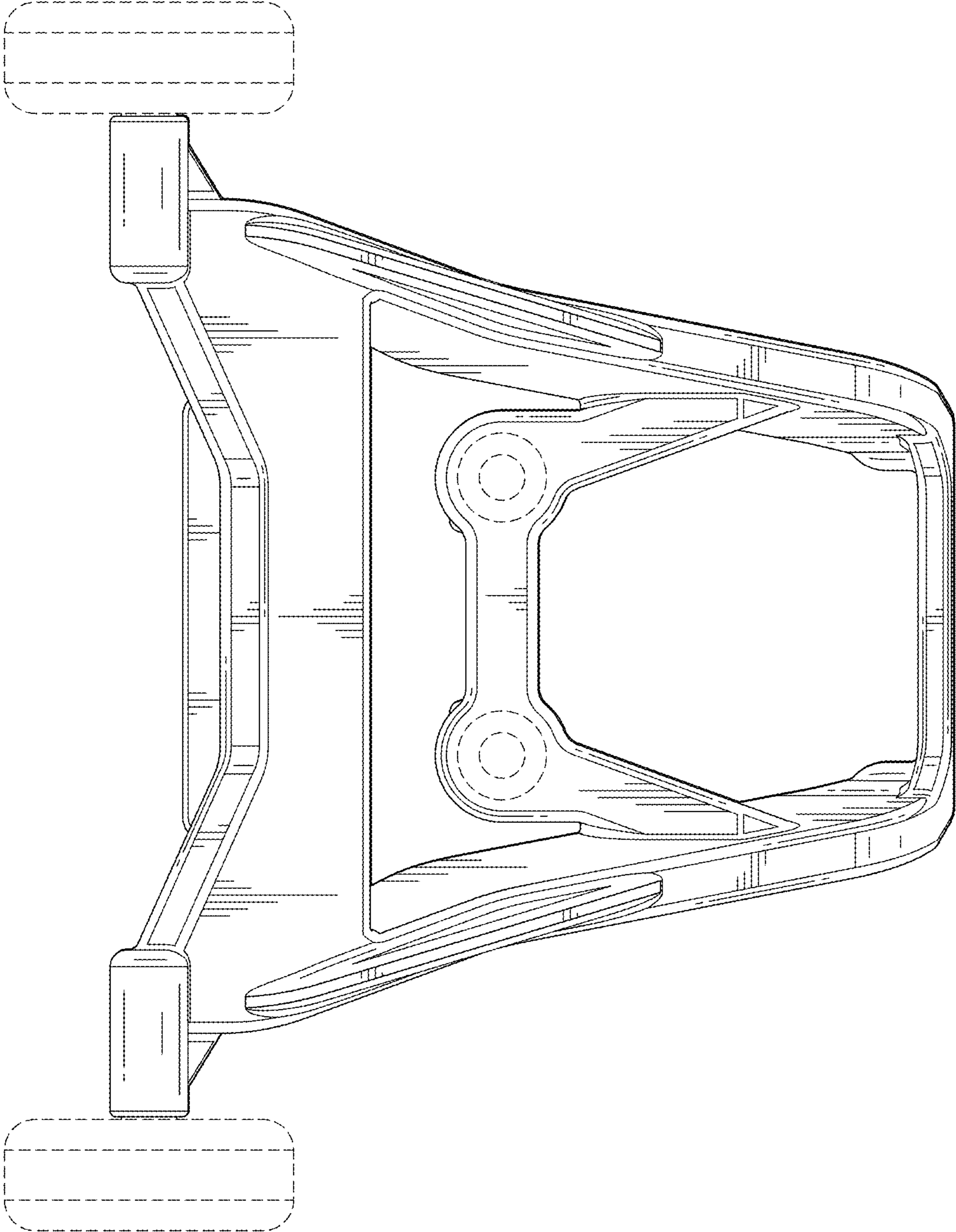


FIG. 3

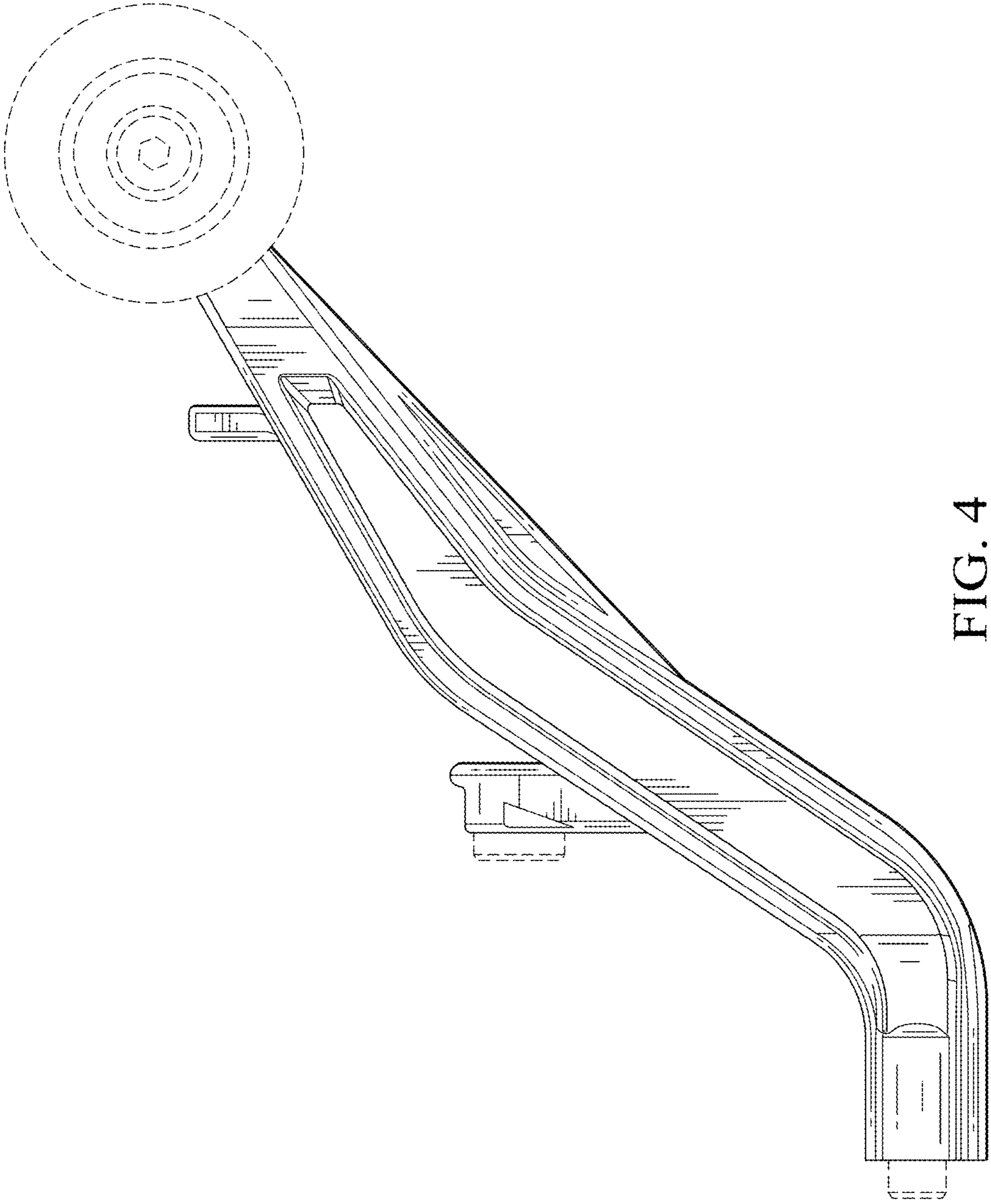


FIG. 4

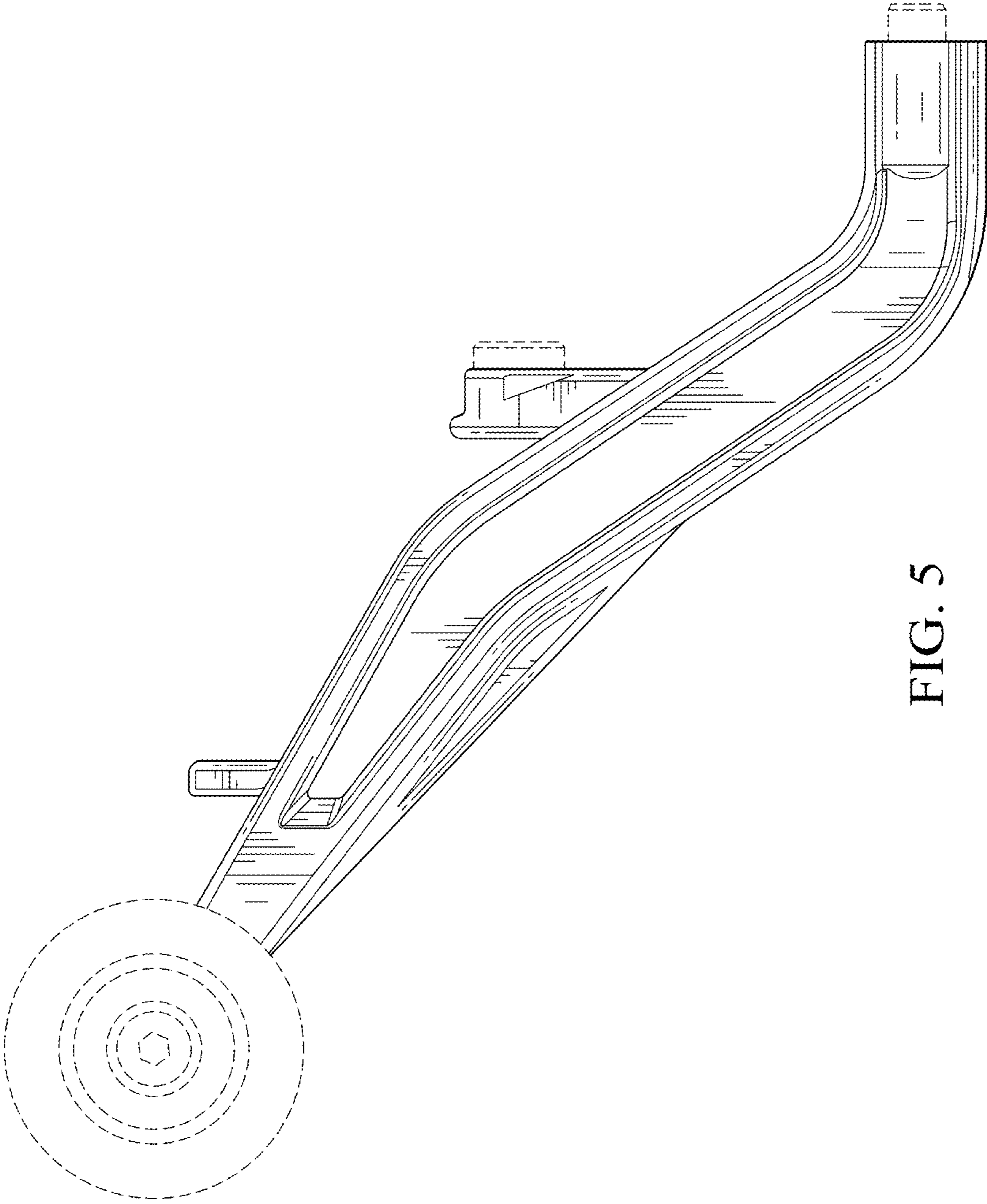


FIG. 5

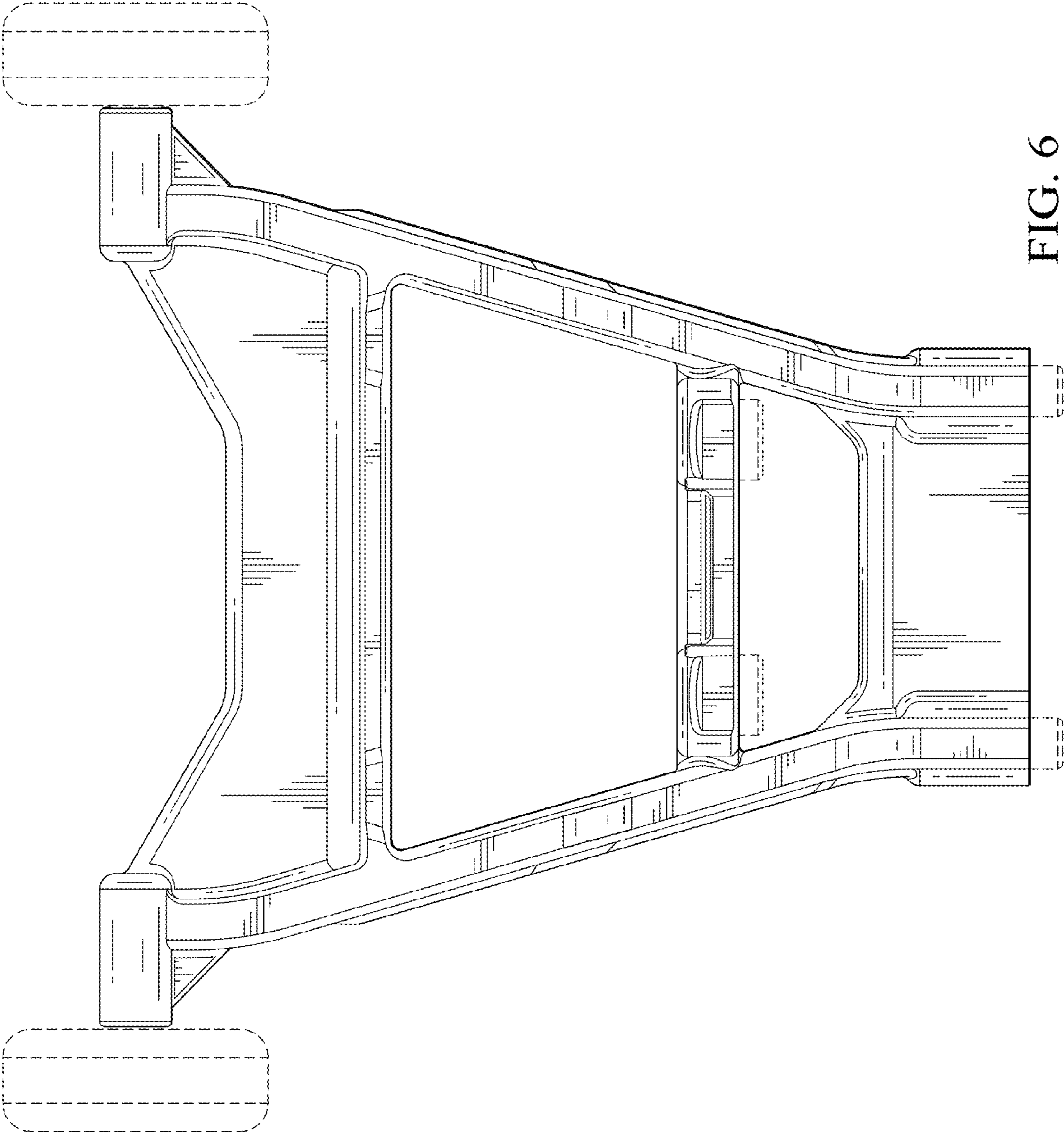


FIG. 6

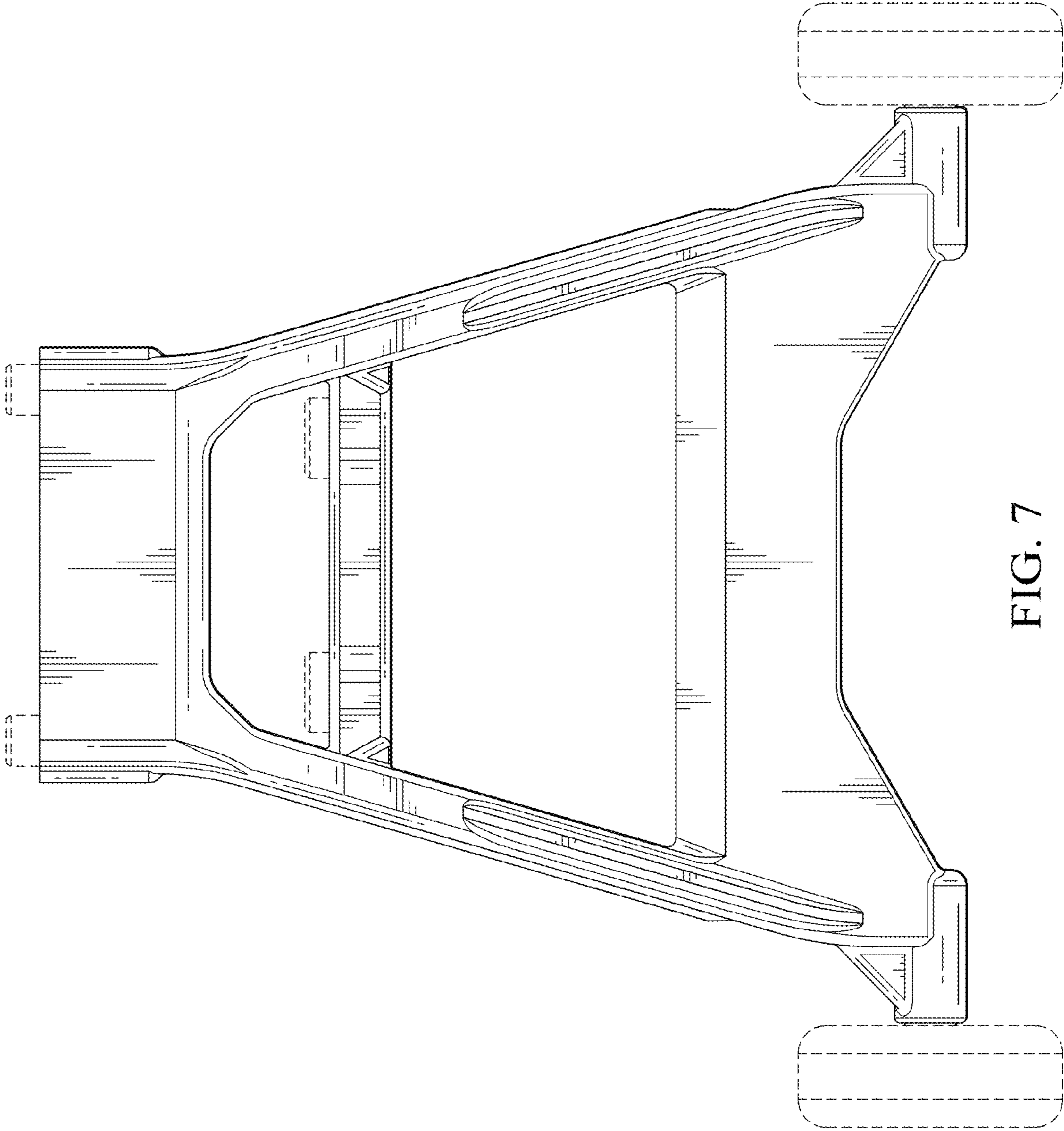


FIG. 7

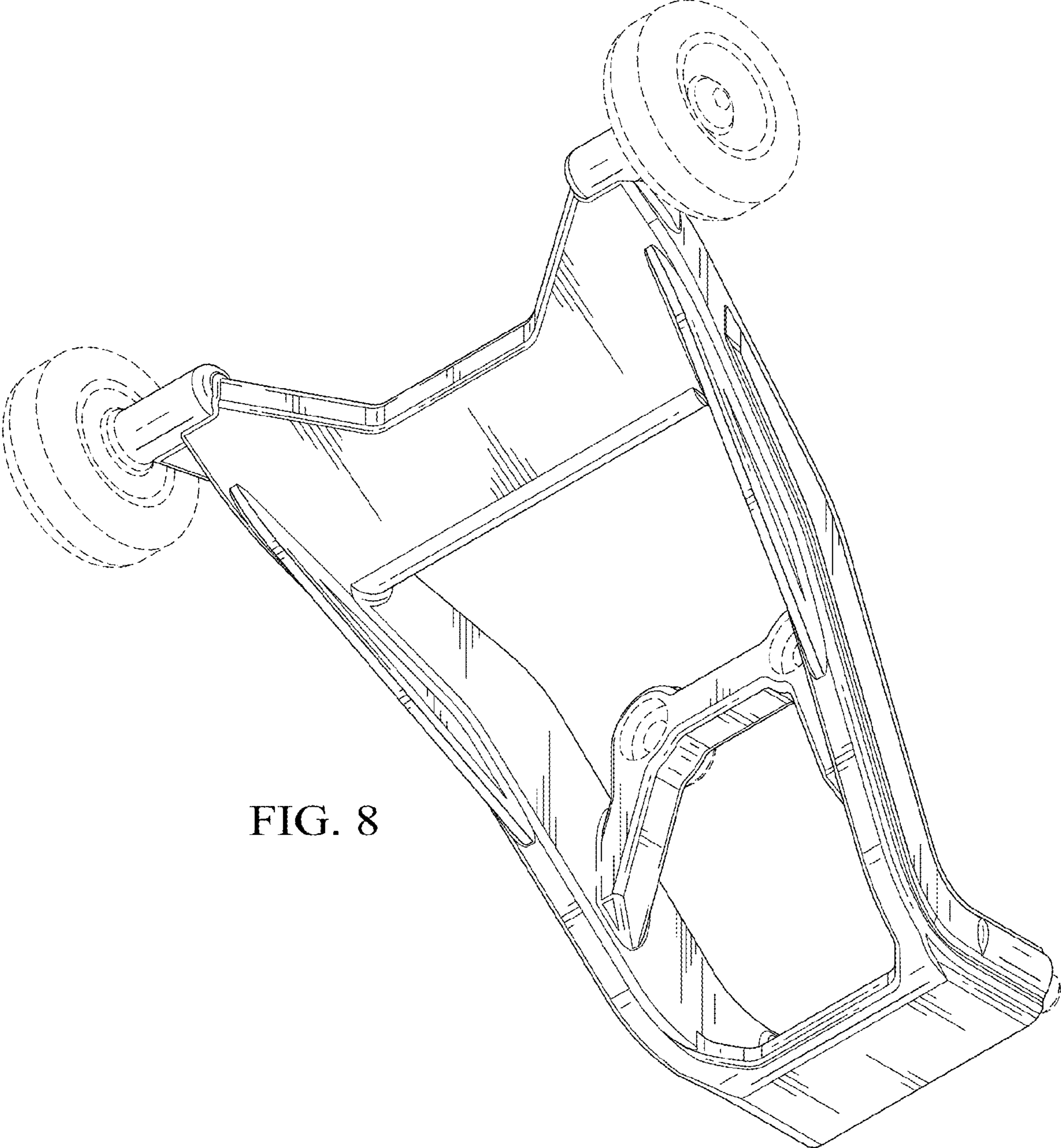


FIG. 8