

US00D960254S

(12) **United States Design Patent** (10) **Patent No.:** **US D960,254 S**
Ewing et al. (45) **Date of Patent:** **** Aug. 9, 2022**

(54) **MODEL VEHICLE BUMPER**
(71) Applicant: **TRAXXAS LP**, McKinney, TX (US)
(72) Inventors: **Adam Cole Ewing**, McKinney, TX (US); **Otto Karl Allmendinger**, Rowlett, TX (US)
(73) Assignee: **TRAXXAS LP**, McKinney, TX (US)

1,729,731 A 10/1929 Vidach
1,836,610 A 12/1931 McMurdo
1,867,708 A 7/1932 Paton
(Continued)

FOREIGN PATENT DOCUMENTS

TW D147600 S 6/2012
TW D154920 S 7/2013
(Continued)

(**) Term: **15 Years**

OTHER PUBLICATIONS

(21) Appl. No.: **29/730,203**
(22) Filed: **Apr. 2, 2020**
(51) **LOC (13) Cl.** **21-01**
(52) **U.S. Cl.**
USPC **D21/561**
(58) **Field of Classification Search**
USPC D21/495, 502, 561, 562; D12/159, 160, D12/167-172
CPC A63H 33/042; A63H 3/16; A63H 30/00; A63H 7/04; A63H 31/00; A63H 3/50; A63H 17/26; A63H 17/36; A63H 17/262; A63H 17/264
See application file for complete search history.

Traxxas 8990 Complete Waterproof LED Light Bar Kit, Nov. 14, 2019, amazon.com, Dec. 15, 2021, URL: <https://www.amazon.com/Traxxas-8990-LED-Light-Kit/dp/B07YGR7GLT> (Year: 2019).*
(Continued)

Primary Examiner — Keith J Wilson
(74) *Attorney, Agent, or Firm* — Daryl R. Wright; Greg Carr

(57) **CLAIM**

We claim the ornamental design for a model vehicle bumper, as shown and described.

DESCRIPTION

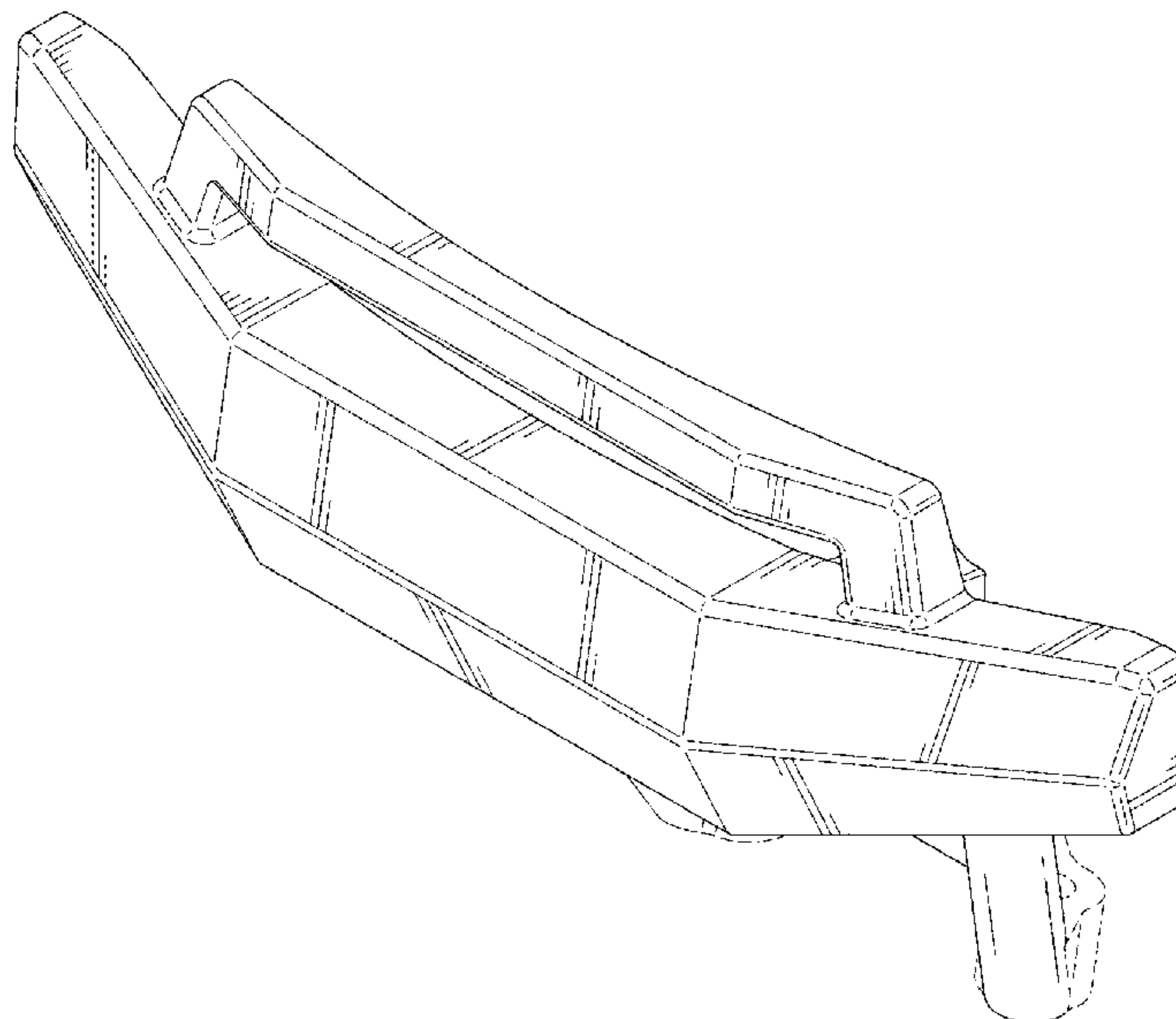
FIG. 1 is an upper, left, front perspective view of a model vehicle bumper showing our new design; FIG. 2 is a front elevation view thereof; FIG. 3 is a rear elevation view thereof; FIG. 4 is a left side elevation view thereof; FIG. 5 is a right side elevation view thereof; FIG. 6 is an upper plan view thereof; FIG. 7 is a lower plan view thereof; and, FIG. 8 is a lower, right, front perspective view of the model vehicle bumper. The broken lines in the drawings illustrate portions of the model vehicle bumper that form no part of the claimed design.

(56) **References Cited**

U.S. PATENT DOCUMENTS

1,355,592 A 10/1920 De Graw
1,414,382 A 5/1922 Stafford
1,427,624 A 8/1922 Newton
1,448,504 A 3/1923 Plante
1,464,321 A 8/1923 Koester et al.
1,468,868 A 9/1923 Reichstetter, Jr. et al.
1,487,352 A 3/1924 Nelson
1,494,867 A 5/1924 Rahe
1,509,394 A 9/1924 Cox
1,534,760 A 4/1925 Blackmore
1,633,603 A 6/1927 Spencer
1,655,978 A 1/1928 Vella

1 Claim, 8 Drawing Sheets



(56)

References Cited

U.S. PATENT DOCUMENTS

1,982,775	A	12/1934	Williams		D737,181	S	8/2015	Smith et al.	
2,038,964	A	4/1936	Smith		D737,724	S	9/2015	Schroeder et al.	
2,144,357	A	1/1939	Booharin		D737,739	S	9/2015	Hanson et al.	
2,146,642	A	2/1939	Mueth		D740,730	S	10/2015	Peltola et al.	
2,227,560	A	1/1941	Szabo		D741,233	S	10/2015	Glover et al.	
2,236,507	A	4/1941	Kreits		D744,384	S	12/2015	Harriton	
D160,661	S	12/1949	Ross		D744,386	S	12/2015	Harriton	
2,502,483	A	4/1950	Sauer et al.		D744,387	S	12/2015	Harriton	
2,604,349	A	7/1952	Martinetz		D744,388	S	12/2015	Harriton	
3,547,469	A	12/1970	Sancioni		D749,021	S	2/2016	Boniface et al.	
3,663,048	A	5/1972	Zimmerle		D749,995	S	2/2016	Azadi et al.	
3,689,054	A	9/1972	Gouirand		D751,012	S	3/2016	Hare	
D225,523	S	12/1972	Nunn		D753,034	S	4/2016	Thole et al.	
3,756,643	A	9/1973	Weed		D760,133	S	6/2016	Bennett et al.	
3,774,948	A	11/1973	Gouirand		D761,166	S	7/2016	Hare	
3,782,767	A	1/1974	Moore		D763,745	S	8/2016	Lee, IV et al.	
3,829,118	A	8/1974	Gouirand		D771,537	S	11/2016	Hare	
3,837,695	A	9/1974	Haase et al.		D775,013	S	12/2016	Bennett et al.	
D234,194	S	1/1975	Cline		D775,016	S	12/2016	Reynolds	
3,938,840	A	2/1976	Haase et al.		D775,032	S	12/2016	Palmer et al.	
3,971,583	A	7/1976	Kornhauser		D776,582	S	1/2017	Bennett et al.	
4,264,094	A	4/1981	White et al.		D777,618	S	1/2017	Setina	
D275,776	S	10/1984	Horowitz et al.		D777,619	S	1/2017	Barajas et al.	
D300,128	S	3/1989	Brennan		D778,213	S	2/2017	Platto et al.	
5,181,699	A	1/1993	Chang		D778,784	S	2/2017	Hirooka	
5,326,083	A	7/1994	Wydra et al.		D781,193	S	3/2017	McMath	
D360,865	S	8/1995	Hanson		D781,757	S	3/2017	Baggett	
D375,067	S	10/1996	Bronstein		D784,869	S	4/2017	Yamamoto	
D403,023	S	12/1998	Araki		D785,504	S	5/2017	Higgs	
5,971,451	A	10/1999	Huang		D786,745	S	5/2017	Zeng	
D420,634	S	2/2000	Nelson		D789,258	S	6/2017	McMath	
D420,962	S	2/2000	Chevalier		D792,817	S	7/2017	McMath	
D422,953	S	4/2000	Waagenaar		D792,818	S	7/2017	McMath	
D425,462	S	5/2000	Ujje		D793,304	S	8/2017	McMath	
D431,506	S	10/2000	Runfola		D794,519	S	8/2017	McMath	
D432,469	S	10/2000	Nelson		D796,399	S	9/2017	Steen	
6,217,090	B1	4/2001	Berzinji		D800,028	S	10/2017	Baggett	
D454,098	S	3/2002	McGuinness		D800,036	S	10/2017	Bennett et al.	
D454,099	S	3/2002	McGuinness		D800,226	S	10/2017	Zeng	
D454,817	S	3/2002	McGuinness		D801,892	S	11/2017	Drever	
D455,684	S	4/2002	McGuinness		D810,626	S	2/2018	Macey et al.	
D455,988	S	4/2002	McGuinness		D811,956	S	3/2018	Zeng	
D460,499	S	* 7/2002	Wu	D21/433	D814,984	S	4/2018	Wymore	
D462,401	S	* 9/2002	Wu	D21/424	D821,275	S	6/2018	Eck et al.	
D462,727	S	* 9/2002	Wu	D21/433	D823,750	S	7/2018	Schulzetenberg et al.	
D464,087	S	* 10/2002	Wu	D21/433	D825,385	S	8/2018	Ma	
D476,606	S	7/2003	Hamm et al.		D826,115	S	8/2018	Chi	
D485,219	S	1/2004	Hamm et al.		D826,116	S	8/2018	DiCanzio	
D487,038	S	2/2004	Chan		D827,054	S	8/2018	Ewing et al.	
D502,433	S	3/2005	McClanahan		D827,055	S	* 8/2018	Barajas	D21/561
D506,421	S	6/2005	Newbill		D828,223	S	9/2018	Piscitelli	
D521,572	S	5/2006	Yuen		D830,919	S	10/2018	Zeng	
7,097,222	B2	8/2006	Ran		D832,161	S	10/2018	Kobayashi	
D527,696	S	9/2006	Ichikawa et al.		D832,368	S	10/2018	Barajas et al.	
D532,348	S	11/2006	Kudo et al.		D833,922	S	11/2018	DiCanzio	
D533,606	S	12/2006	Kaminski		D845,844	S	4/2019	Langhals et al.	
D534,593	S	1/2007	Yuen		D845,845	S	4/2019	Goodrich et al.	
D577,083	S	9/2008	Nakayama		D845,846	S	4/2019	Goodrich et al.	
D580,322	S	11/2008	Schroeder et al.		D845,847	S	4/2019	Piscitelli et al.	
D590,752	S	4/2009	Williams et al.		D846,460	S	4/2019	Goodrich et al.	
D593,616	S	6/2009	Asai		D846,461	S	4/2019	Piscitelli et al.	
D606,913	S	12/2009	Robertson		D846,462	S	4/2019	DiCanzio	
7,703,834	B1	4/2010	Hardy et al.		D847,051	S	4/2019	DiCanzio	
D636,305	S	4/2011	Alvarez et al.		D847,709	S	5/2019	Neal	
D642,099	S	7/2011	Nagao et al.		D850,334	S	6/2019	DiCanzio	
D683,281	S	5/2013	Harriton		D860,881	S	9/2019	Ninov et al.	
D691,074	S	10/2013	Dugardin		D864,806	S	10/2019	Wood	
D697,842	S	1/2014	Harriton		D870,615	S	12/2019	Wood	
D699,640	S	2/2014	Duderstadt		D873,729	S	1/2020	Rolfs et al.	
D704,107	S	5/2014	Peltola et al.		D873,730	S	1/2020	Goodrich et al.	
D713,305	S	9/2014	Sperling et al.		D873,731	S	1/2020	Goodrich et al.	
D716,201	S	10/2014	Ewing et al.		D873,734	S	1/2020	Goodrich et al.	
D722,927	S	2/2015	Schroeder et al.		D874,998	S	2/2020	Zhang	
D726,605	S	4/2015	Schroeder		D874,999	S	2/2020	Ewing et al.	
D728,038	S	* 4/2015	Ewing	D21/561	D877,003	S	3/2020	Izard	
					D877,670	S	3/2020	Moctezuma	
					D878,976	S	3/2020	Goodrich et al.	
					D878,978	S	3/2020	Li	
					D880,381	S	* 4/2020	DiCanzio	D12/171

(56)

References Cited

U.S. PATENT DOCUMENTS

D887,328	S	*	6/2020	Lee	D12/171
D889,332	S	*	7/2020	Chi	D12/171
D891,330	S		7/2020	Lenz, Jr.		
D893,366	S	*	8/2020	Dewitt	D12/169
D894,802	S		9/2020	Grand		
D894,803	S	*	9/2020	DiCanzio	D12/169
D896,139	S		9/2020	Williams		
D904,244	S	*	12/2020	Wood	D12/169
D908,177	S	*	1/2021	Sprowl	D21/552
D908,561	S		1/2021	Harriton et al.		
D908,562	S		1/2021	Harriton et al.		
D909,918	S		2/2021	Langhals et al.		
D910,493	S		2/2021	Langhals et al.		
D918,802	S		5/2021	Huang		
D919,516	S		5/2021	Chi		
D920,194	S		5/2021	Mallicote et al.		
D923,111	S	*	6/2021	Wood	D21/561
D923,113	S	*	6/2021	Hagler	D21/561
2006/0192398	A1		8/2006	Buniewicz et al.		
2006/0261613	A1		11/2006	Byers et al.		
2009/0212581	A1	*	8/2009	Drever	B60R 19/52 293/115
2009/0302623	A1		12/2009	Finney		
2013/0187395	A1		7/2013	Hanson et al.		
2017/0088076	A1	*	3/2017	Fujimoto	B60R 19/04
2017/0247014	A1		8/2017	Farooq et al.		
2017/0349227	A1		12/2017	Spindler et al.		
2018/0072254	A1	*	3/2018	Wymore	B60R 9/065
2019/0337476	A1	*	11/2019	Hare	B60R 19/48

FOREIGN PATENT DOCUMENTS

TW	D163365	S	10/2014
TW	D168397	S	6/2015
TW	D169825	S	8/2015

OTHER PUBLICATIONS

Traxxas 7735X-Maxx Front Bumper, Jan. 5, 2016, amazon.com, Dec. 15, 2021, URL: <https://www.amazon.com/Traxxas-7735-X-Maxx-Front-Bumper/dp/B01A6Z06HU/> (Year: 2016).*

PL6088-00 Front Proline Ridge-Line Bumper (SMAL), Earliest Available Date May 2, 2019 [Online], [Site Visited Oct. 20, 2020] Available From Internet, URL: https://www.ebay.com/itm/PL6088-00-Front-PROLINE-RIDGE-LINE-BUMPER-SMAL-SET-VOOR-NARROW-ROCK-CRAWLING-/153425968229?_trksid=p2385738.m4383.14275.c10 (Year: 2019).

Traxxas TRX-4 Winch Front Bumper, Earliest Available Date May 22, 2019 [Online], [Site Visited Oct. 20, 2020] Available From Internet, URL: https://www.amainhobbies.com/traxxas-trx-4-winch-front-bumper-tra8124/p779826?gclid=EAJalQobChMI0aymroXE7AIVD02GCh0ntA-WEAQYBSABEgJl5_D_BwE (Year: 2019).

TF2 Mojave ARB-DELUXE Metal Front Bumper Assembly, Earliest Available Date Oct. 22, 2020 [Online], [Site Visited Oct. 22, 2020] Available From Internet, URL: <https://www.aliexpress.com/i/4000118857581.html> (Year: 2020).

Traxxas 5834 Front Bumper Mount Front Adapter 2WD Slash 4x4, Earliest Available Date Jul. 15, 2020 [Online], [Site Visited Oct. 22, 2020] Available From Internet, URL: https://www.ebay.com/itm/Traxxas-5834-Front-Bumper-Mount-Front-Adapter-2WD-Slash-4x4-/174332832512?_trksid=p2385738.m4383.14275.c10 (Year: 2020).

Traxxas TRA6736 Bumper, Front/ Bumper Support, Earliest Available Date Oct. 22, 2020 [Online], [Site Visited Oct. 22, 2020] Available From Internet, URL: <https://amazon.com/Traxxas-TRA6736-Bumper-Front-Support/dp/B07HJF56V1#customerReviews> (Year: 2020).

Traxxas LP; The New Traxxas Summit 16.8 V Electric Extreme Terrain Monster Truck; Traxxas Press Release; Oct. 16, 2008. Summit E-Revo Crawler SP08503 front bumper; Oct. 16, 2008.

“How Do I Add a Ball Hitch to my RPM Rear Bumper (T/E-Maxx & Revo Bumpers)?” RPM, Jul. 30, 2005 [online], [retrieved on Sep. 12, 1996]. Retrieved from the internet, URL: <http://www.rpmrcproducts.com/faq/add-ball-hitch-rpm-rear-bumper-te-maxx-revo-bumpers/>.

“WARN 87750 Elite Series Front Bumper with Grill Guard Tube” RPM, Jul. 17, 2013 [online], [retrieved on Sep. 12, 2016]. Retrieved from Internet, URL: https://www.amazon.com/gp/product/B00625F4FI/ref=pd_sim_263_5?ie=UTF8&pd_rd_i=B00625F4FI&pd_rd_r=QN6NZ5WV34ZS00Z3BSGH&pd_rd_w=4XjJD&pd_rd_wg=7Z80V&psc=1&refRID=QN6NZ5WV34ZS0.

“Yeah Racing F/R Bumper w/ HD Shackie & LED’s—SCX10, Traxxas.” RC Hobbies, Nov. 12, 2014 [online], [retrieved on Sep. 12, 2016]. Retrieved from the Internet <URL: http://rchoobbies.com.au/store/product_info.php?products_id=80405>.

Taiwan IPO Search Report; Taiwan Design Patent App No. 105301434; dated Aug. 4, 2016.

Associated Electrics; “Catalog and Parts Listing for the Monster GT Truck”; 2003; Associated Electrics, Inc., Costa Mesa, California.

Horizon Hobby; “Team Losi LST Super Truck—Drive Train Assy” exploded view; Horizon Hobby, Inc., Champaign, Illinois.

HPI Racing, “Savage 21 4WD Giant Monster Truck” p. 56 exploded view; Hobby Products International, Foothill Ranch, California.

Tamiya, “Terra Crusher Parts Breakdown—Front End”; Tamiya America, Inc., Aliso Viejo, California.

Tamiya, “Wild Willy 2 Parts Breakdown”; 1999, Tamiya America, Inc., Aliso Viejo, California.

Tamiya, “Wild Willy”; Tamiya America, Inc., Aliso Viejo, California; 1 photograph.

Traxxas, “T-Maxx Assemblies—Front Assembly”; Traxxas LP, Plano, Texas.

Axial SCX10 II 2000 Jeep Cherokee; <http://www.axialracing.com/products/ax90047>; Aug. 2016.

Axial SCX 10 Deadbolt; <http://www.axialracing.com/products/ax90044>; Aug. 2016.

Traxxas; Bumper support geometry, body mounts, body mount posts; <https://traxxas.com/products/parts/3619>; Oct. 2016.

Sema 2015 Fab Fours; 2 photos.

Bull Bars. (Design—© Questel) orbit.com. [Online PDF compilation of references] 16 pgs. Print Dates Range Oct. 8, 2019-Apr. 14, 2005 [Retrieved Jun. 4, 2021].

“4 PCS ZD Racing 8481 Front Bumper Set.” Before Jul. 21, 2019. Banggood. https://www.banggood.com/4PCS-ZD-Racing-8481-Front-Bumper-Set-for-9116-08427-9021-V3-1-or-8-RC-Car-Parts-p-1528272.html?cur_warehouse=CN (Year: 2019).

Onorato, Paul. “3 Must-See Pro-Line Traxxas Slash Builds that Anyone Can Do!” Apr. 29, 2019. RC Driver. <https://www.rcdriver.com/3-must-see-pro-line-traxxas-slash-builds-that-anyone-can-do/> (Year: 2019).

“Traxxas Trx4 Aluminum Front Bumper (GPM Racing Product) Adding Extra Weight to the Front—RC Overdose.” Jan. 31, 2018. YouTube. https://www.youtube.com/watch?v=_wui5f_k1eY (Year: 2018).

* cited by examiner

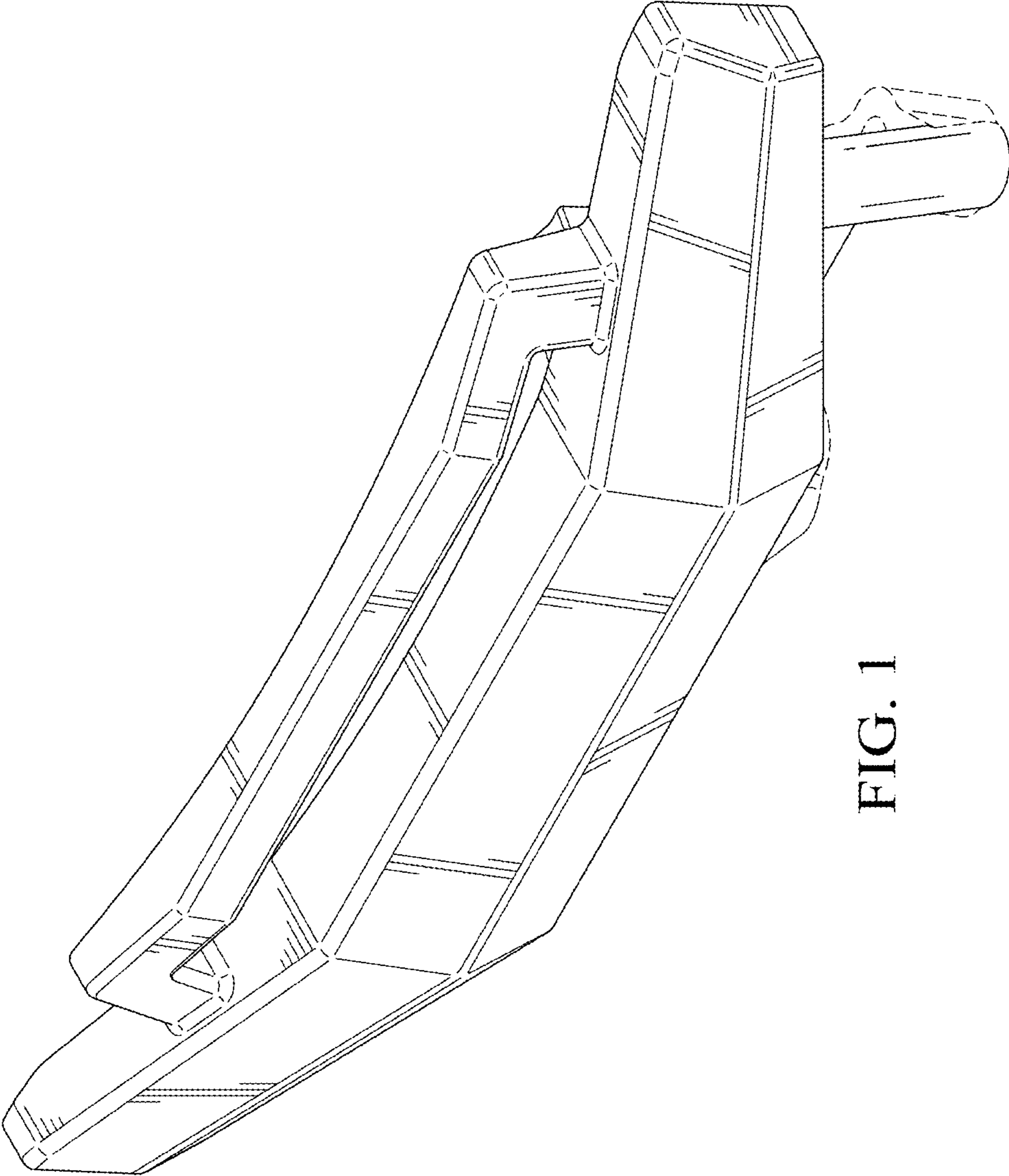


FIG. 1

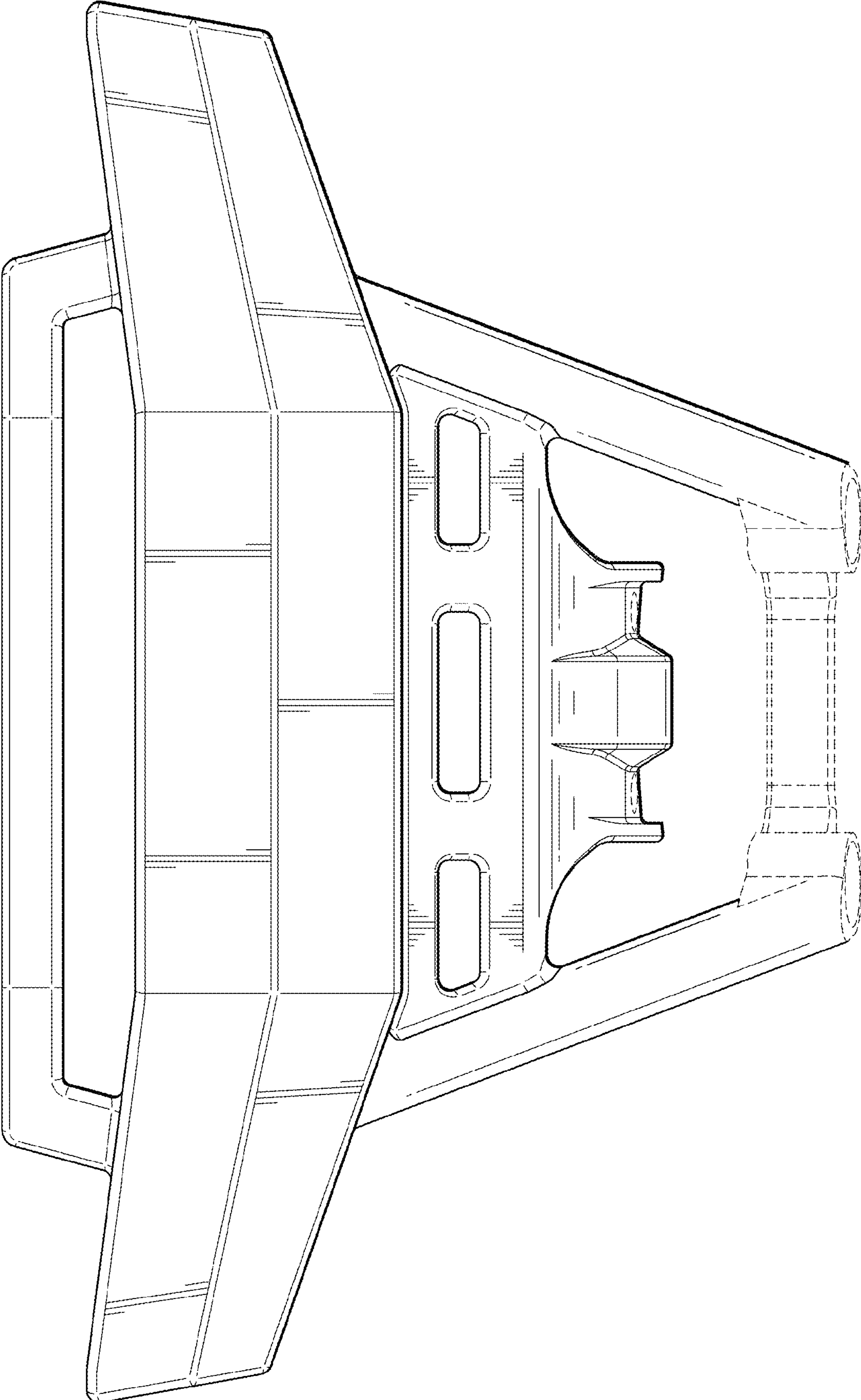


FIG. 2

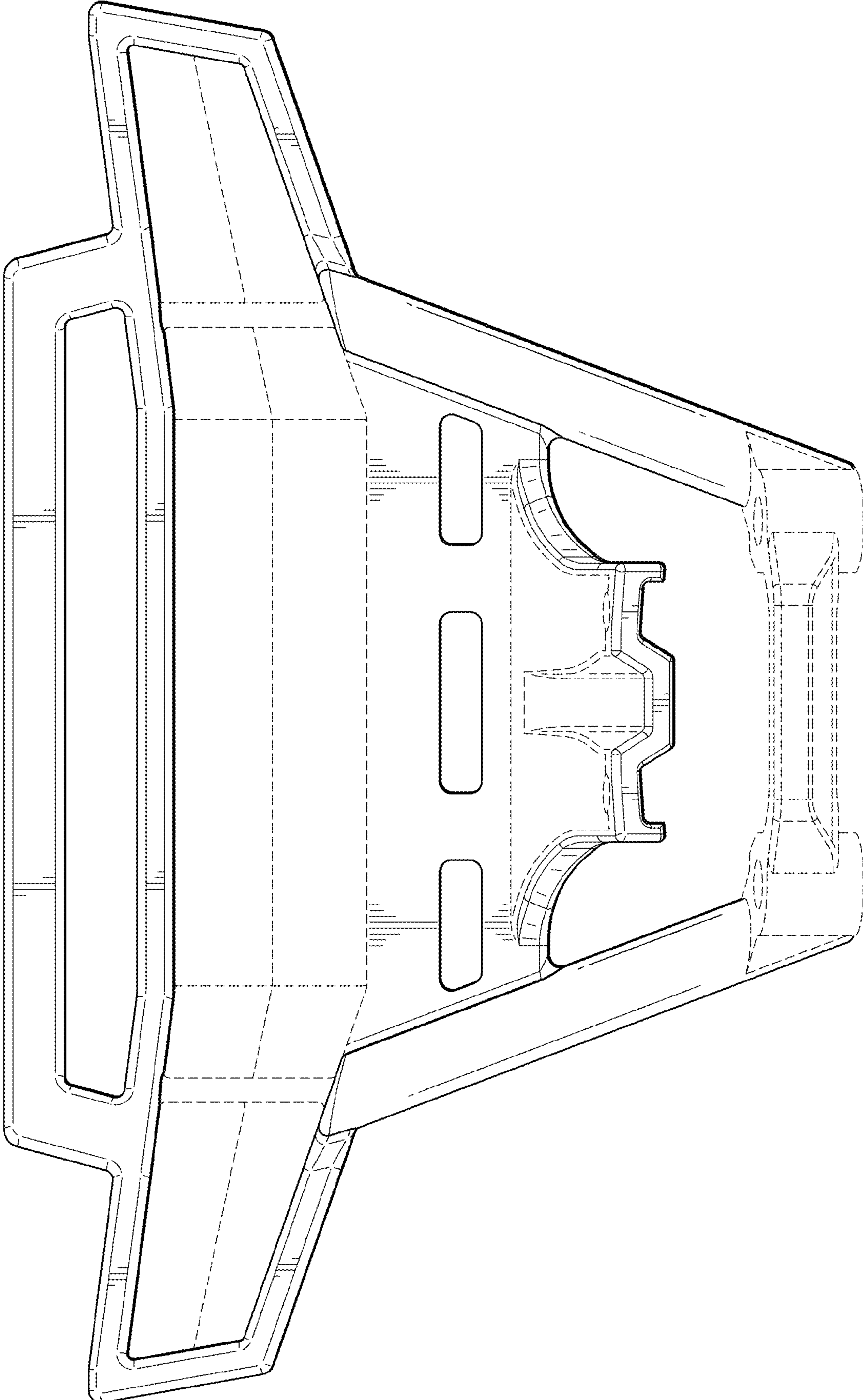


FIG. 3

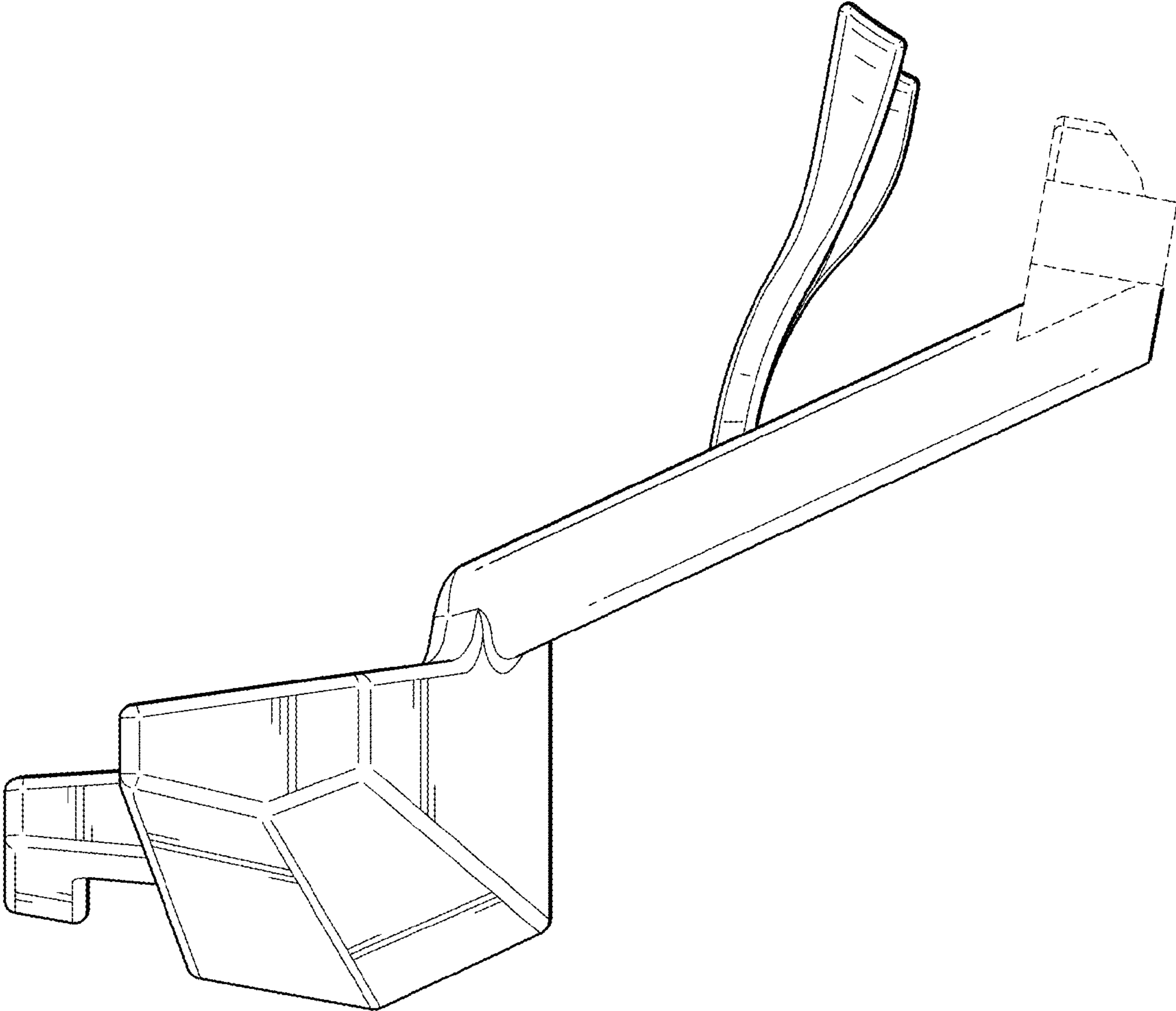


FIG. 4

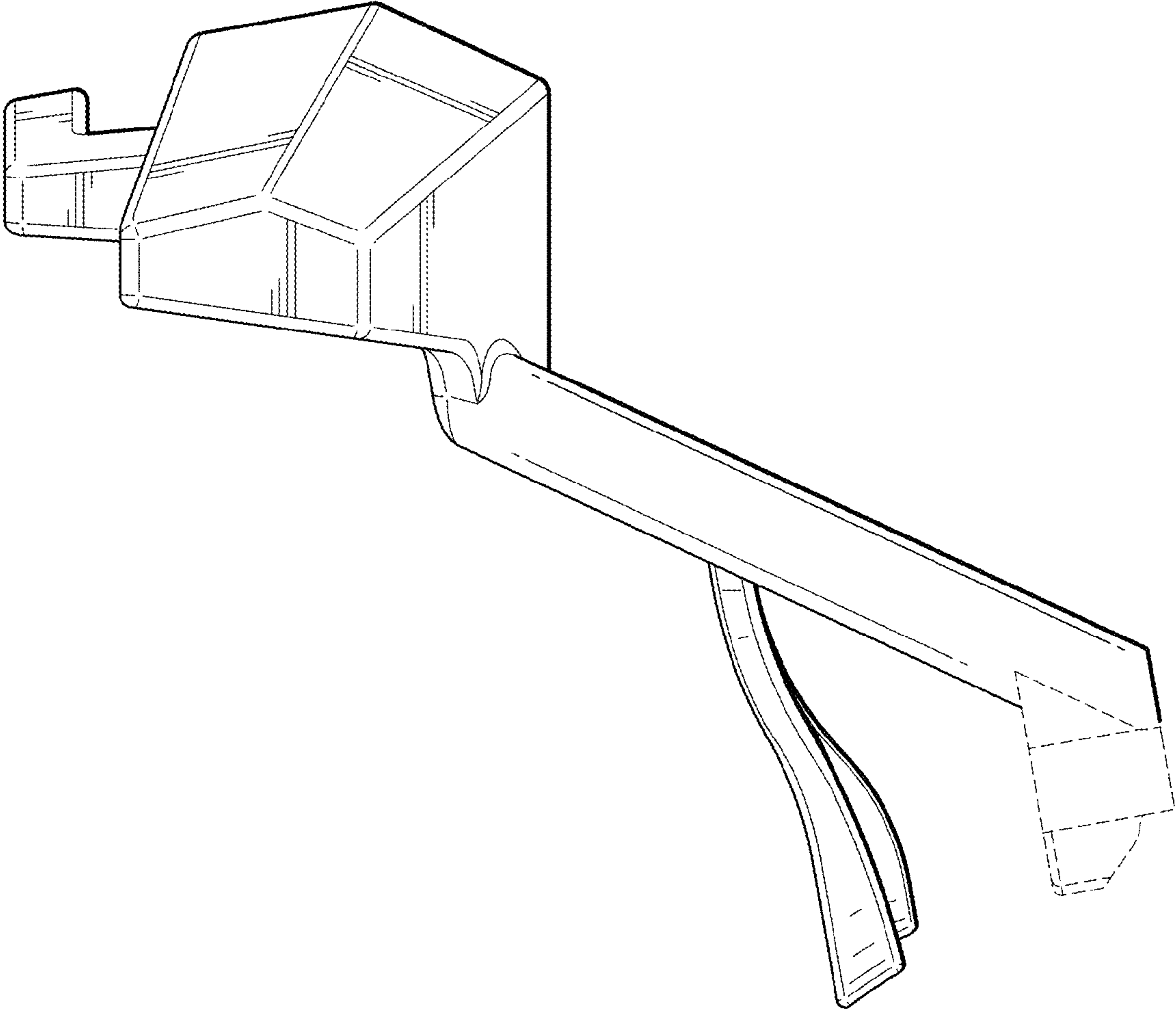


FIG. 5

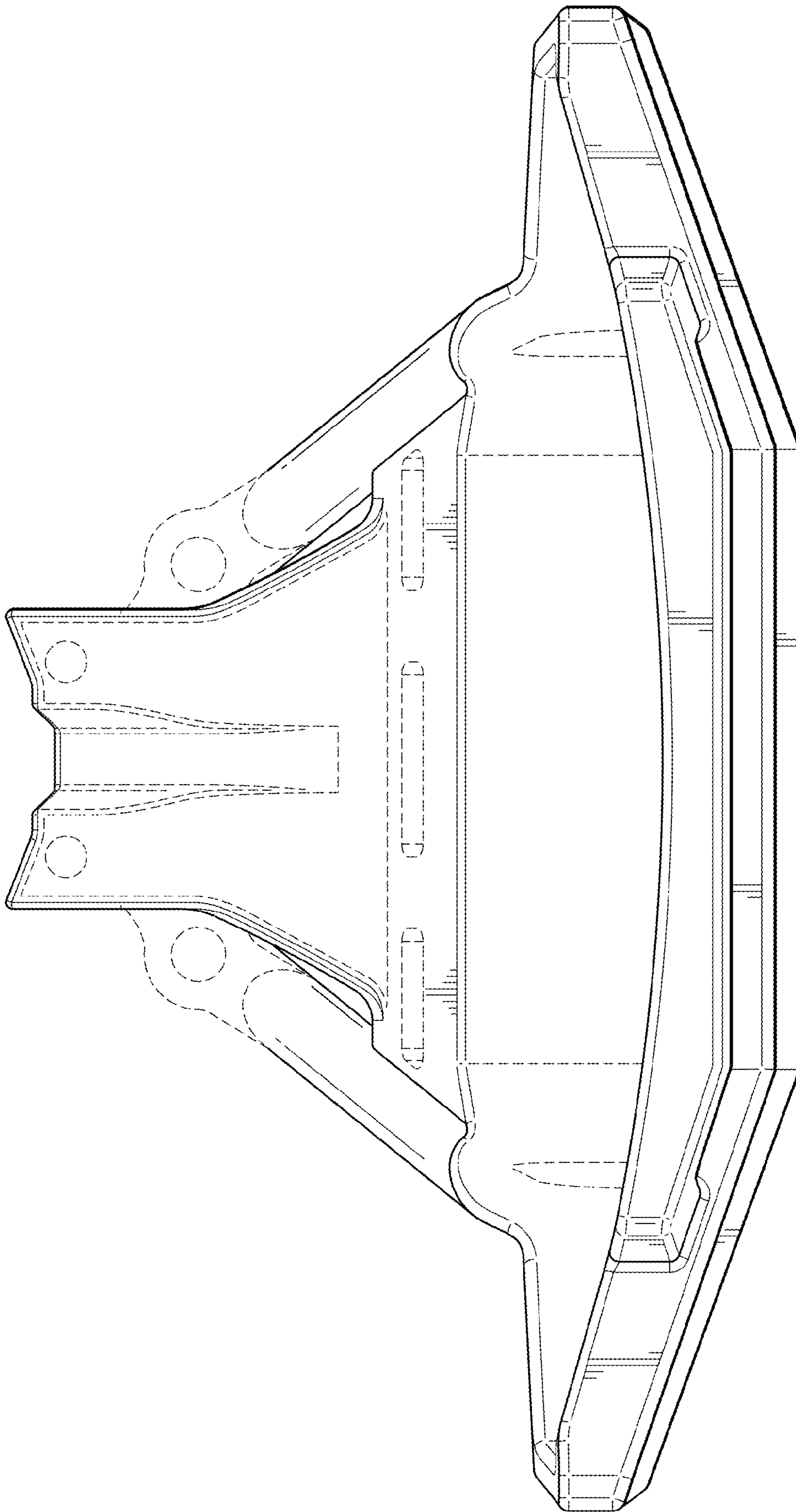


FIG. 6

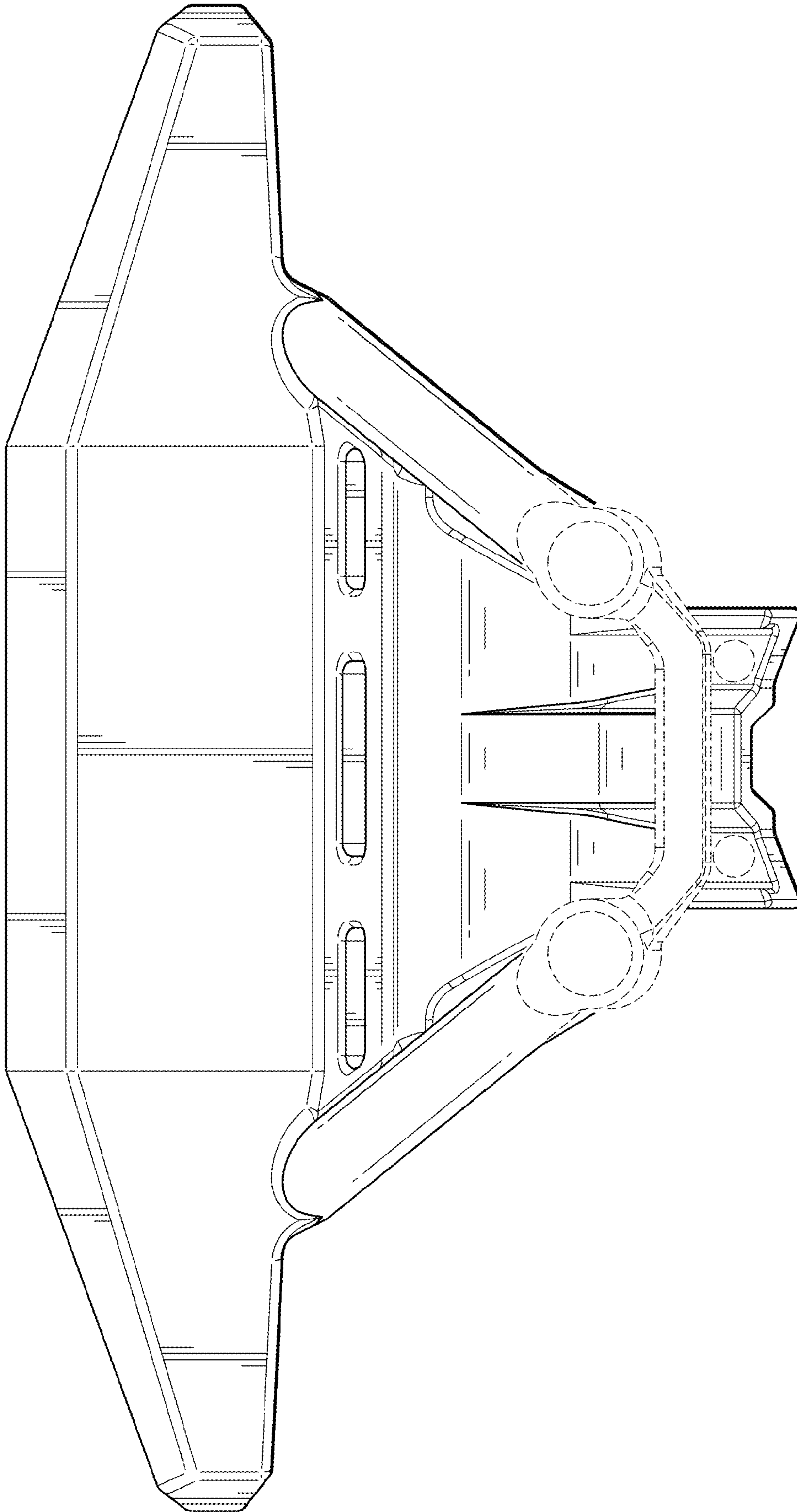


FIG. 7

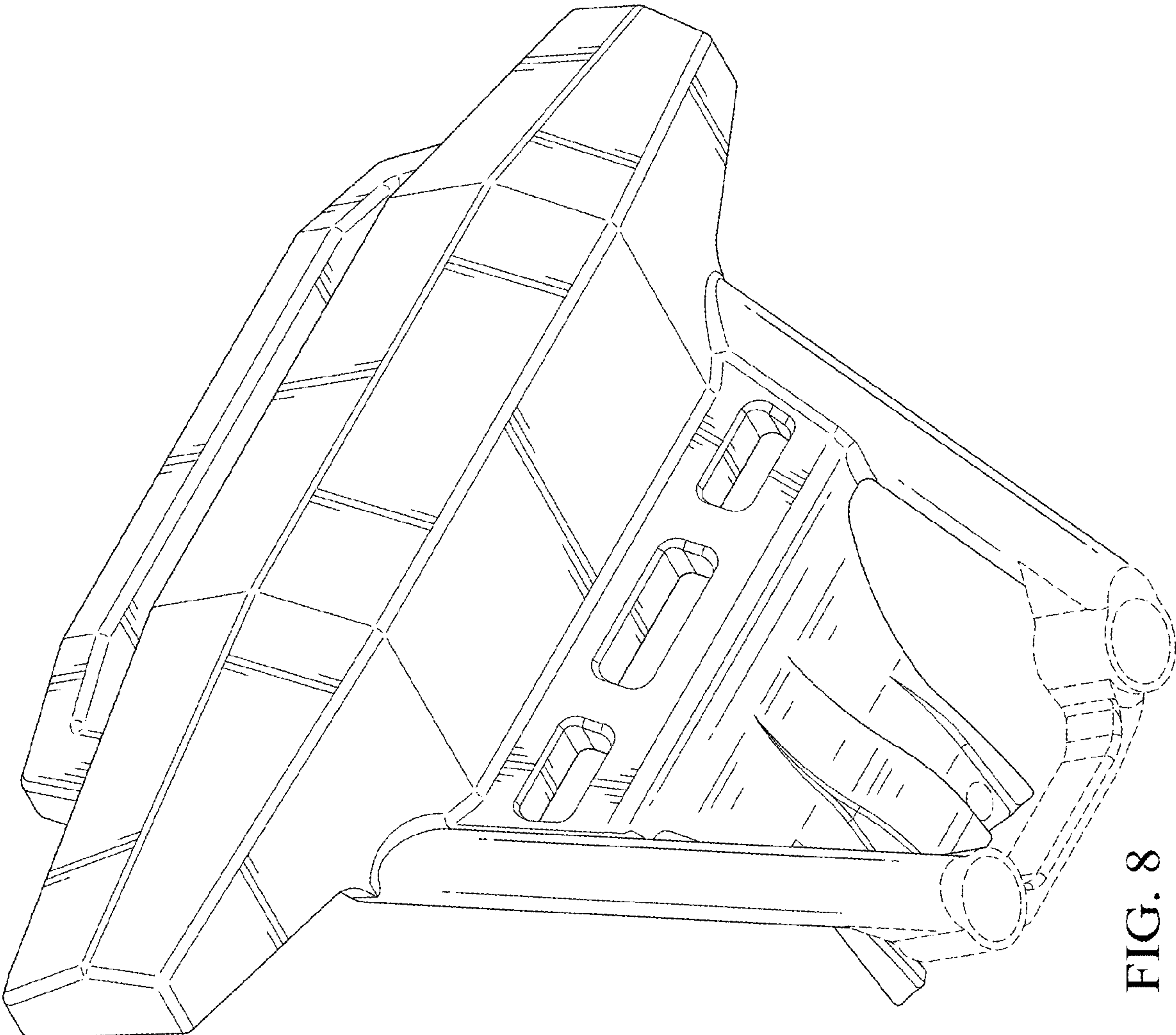


FIG. 8