

US00D960253S

(12) **United States Design Patent**
Zeng

(10) **Patent No.:** **US D960,253 S**

(45) **Date of Patent:** **** Aug. 9, 2022**

(54) **TOY ASSEMBLY BLOCK**

(71) Applicant: **Shantou Chenghai District Kaihui Toys Factory**, Guangdong (CN)

(72) Inventor: **Qinghui Zeng**, Meizhou (CN)

(**) Term: **15 Years**

(21) Appl. No.: **29/801,262**

(22) Filed: **Jul. 28, 2021**

(51) **LOC (13) Cl.** **21-01**

(52) **U.S. Cl.**

USPC **D21/490**; D21/493

(58) **Field of Classification Search**

USPC D21/468, 478, 479, 484–505

CPC A63H 33/00; A63H 33/04; A63H 33/044;

A63H 33/06; A63H 33/062; A63H

33/086; A63H 33/088; A63H 33/10;

A63H 33/101; A63H 33/108; A63H 33/12

See application file for complete search history.

(56) **References Cited**

U.S. PATENT DOCUMENTS

- 3,748,752 A * 7/1973 Quercetti A63F 9/06
434/96
- 3,819,188 A * 6/1974 Freedman A63F 9/12
446/124
- D285,585 S * 9/1986 Murdough, Jr. D21/491
- D285,587 S * 9/1986 Murdough, Jr. D21/491
- 5,273,477 A * 12/1993 Adams, Jr. A63H 33/04
446/108
- D377,060 S * 12/1996 Frederiksen D21/460
- D377,061 S * 12/1996 Gabriel D21/498
- D499,151 S * 11/2004 Arabian D21/500
- 7,833,077 B1 * 11/2010 Simmons, Jr. A63H 33/08
446/85

- D645,912 S * 9/2011 Hardstaff D21/502
- D723,630 S * 3/2015 Kanbar D21/485
- 9,517,423 B1 * 12/2016 Kanbar A63H 33/084
- D790,638 S * 6/2017 Kuo D21/504
- D828,458 S * 9/2018 Dumphy D21/500
- D832,937 S * 11/2018 Dumphy D21/500
- D843,493 S * 3/2019 Dumphy D21/499
- D859,539 S * 9/2019 Dumphy D21/500
- D866,681 S 11/2019 Hwang et al.
- D866,682 S 11/2019 Hwang et al.
- D944,329 S * 2/2022 Deng D21/468

FOREIGN PATENT DOCUMENTS

- CN 301590312 S 6/2011
- CN 306705292 S 7/2021

* cited by examiner

Primary Examiner — Cynthia M. Chin

(57) **CLAIM**

The ornamental design for a toy assembly block, as shown and described.

DESCRIPTION

FIG. 1 is a top, front and right side perspective view of a toy assembly block showing our new design;

FIG. 2 is a bottom, rear and left side perspective view thereof;

FIG. 3 is a front side plan view thereof;

FIG. 4 is a rear side plan view thereof;

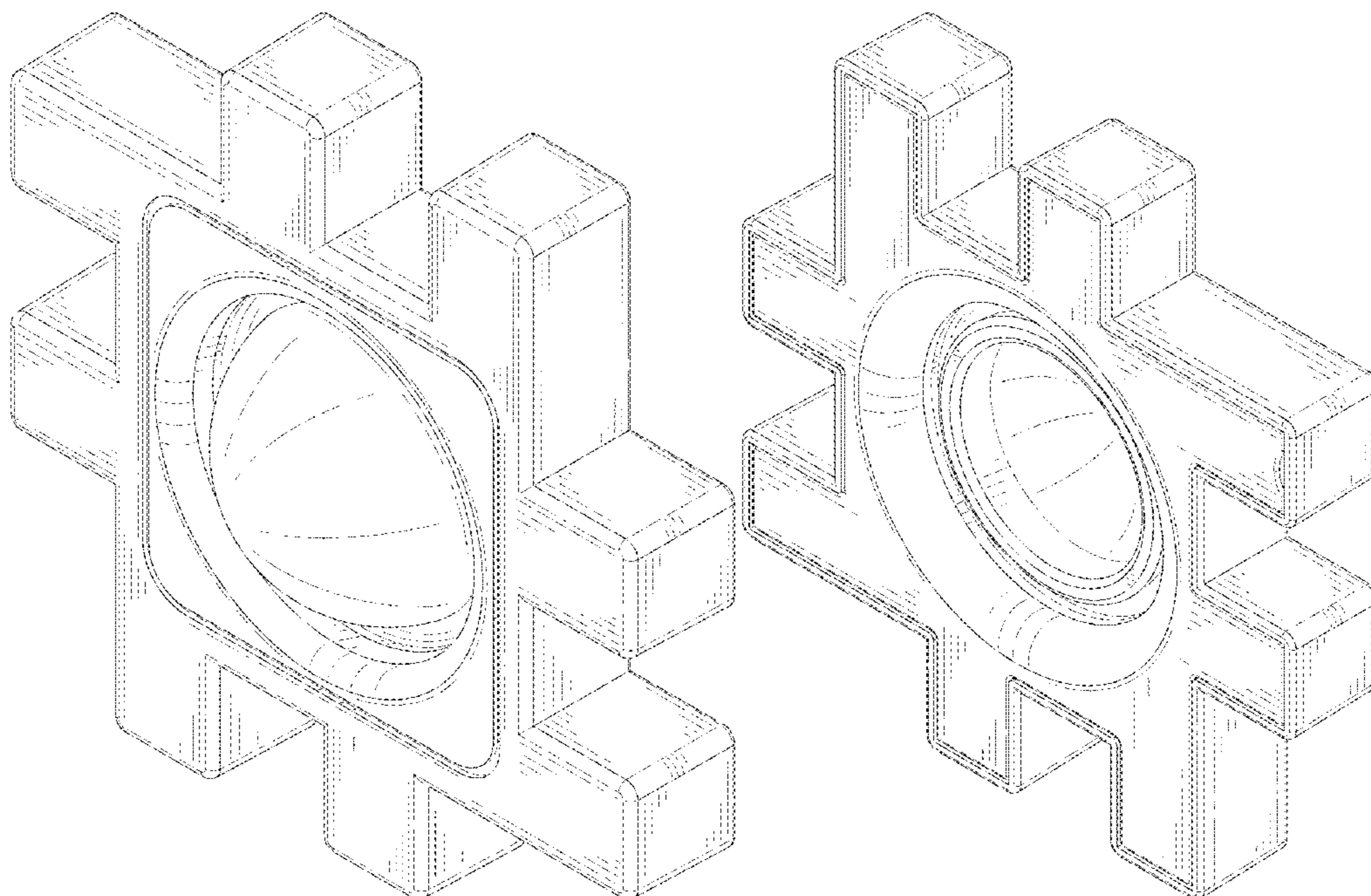
FIG. 5 is a left side plan view thereof;

FIG. 6 is a right plan view thereof;

FIG. 7 is a top plan view thereof; and,

FIG. 8 is a bottom plan view thereof.

1 Claim, 8 Drawing Sheets



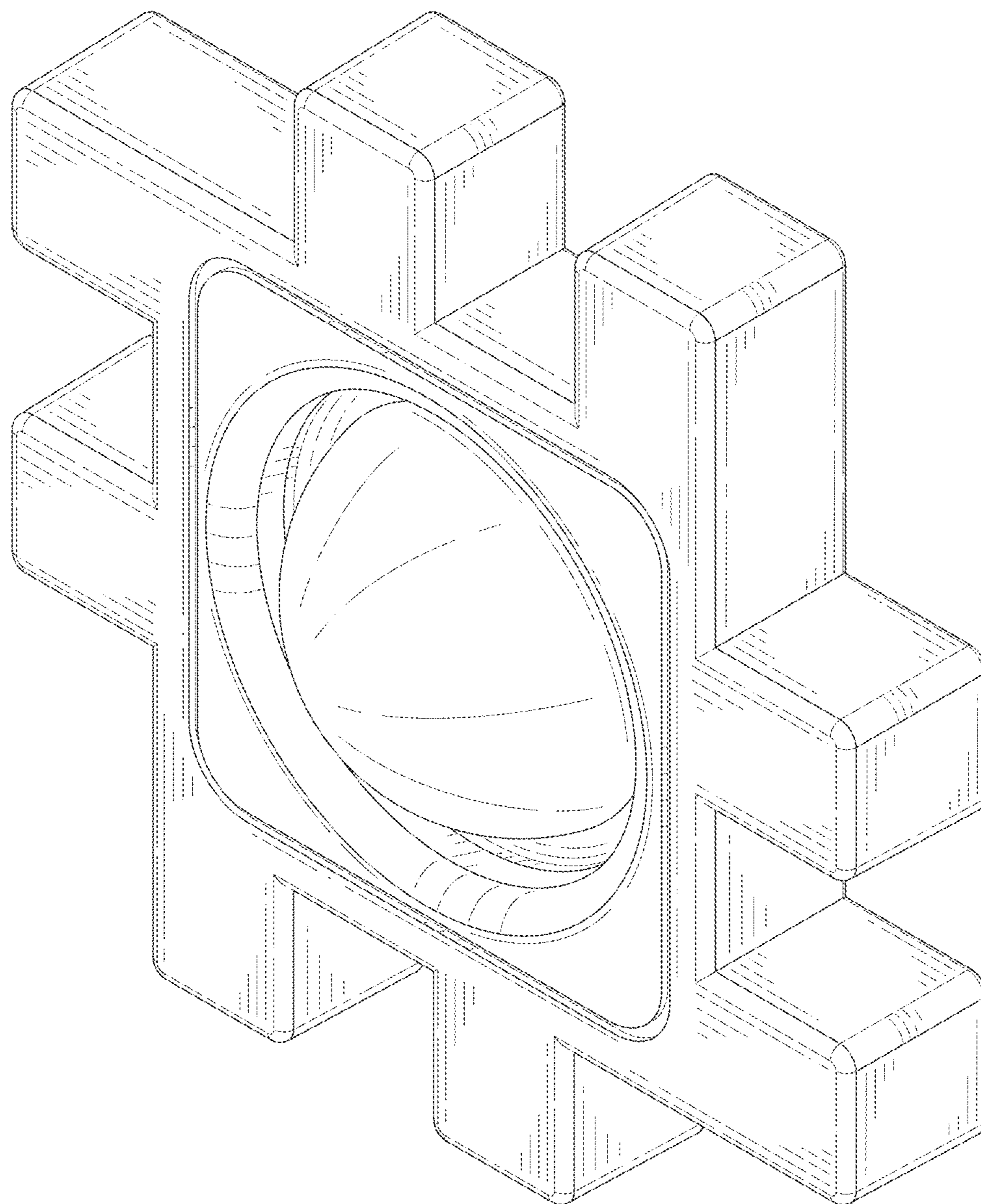


FIG. 1

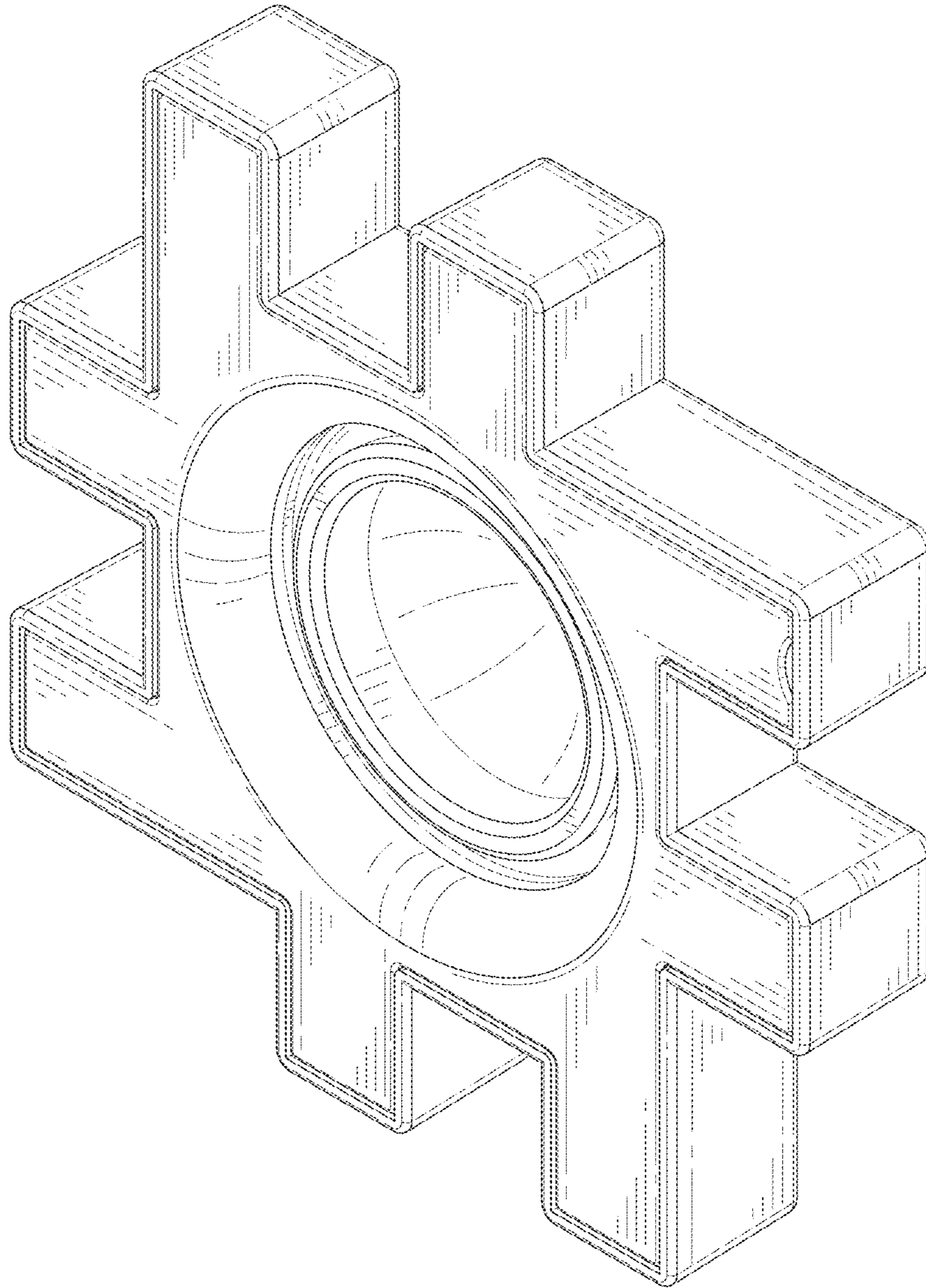


FIG.2

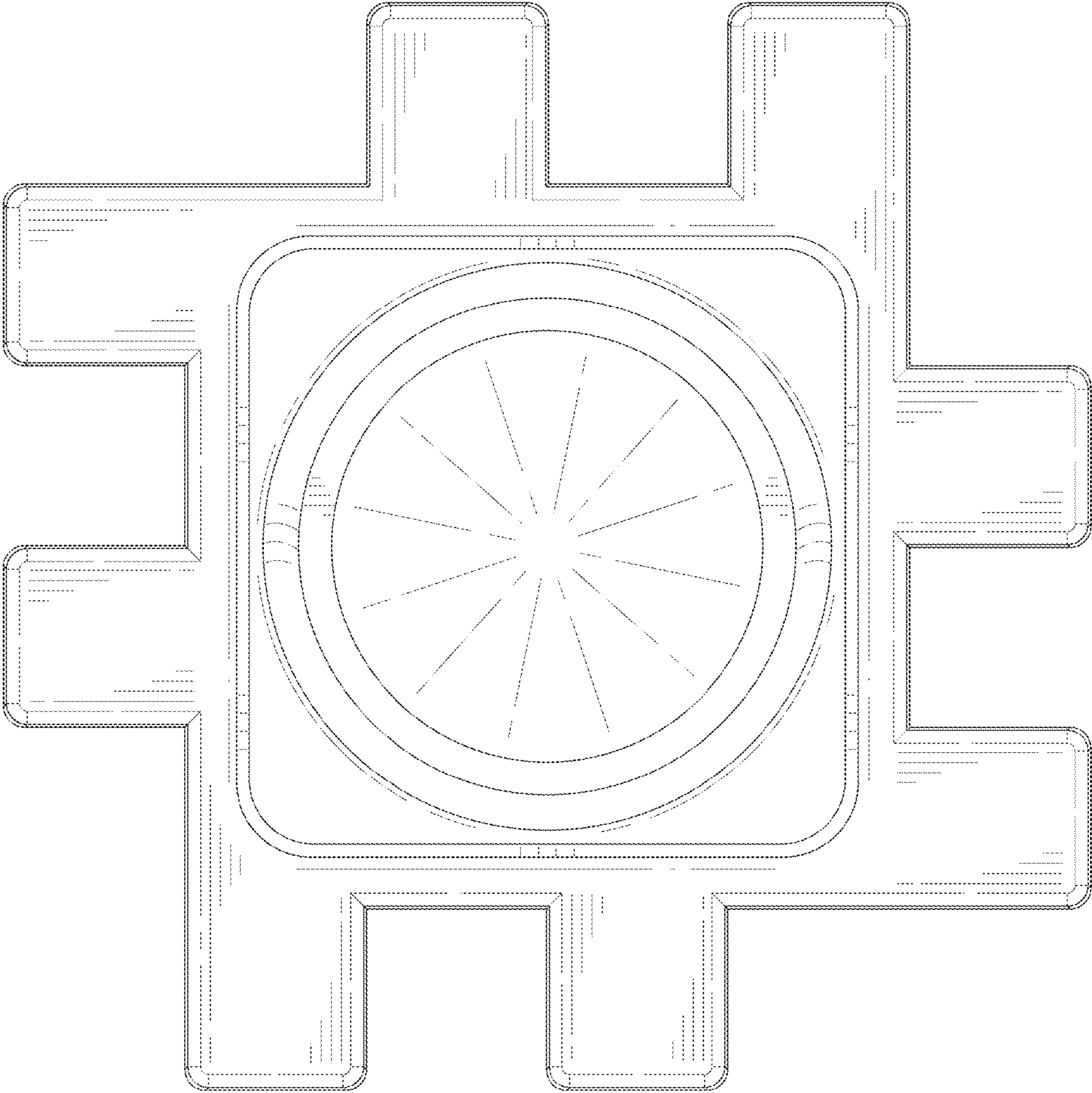


FIG.3

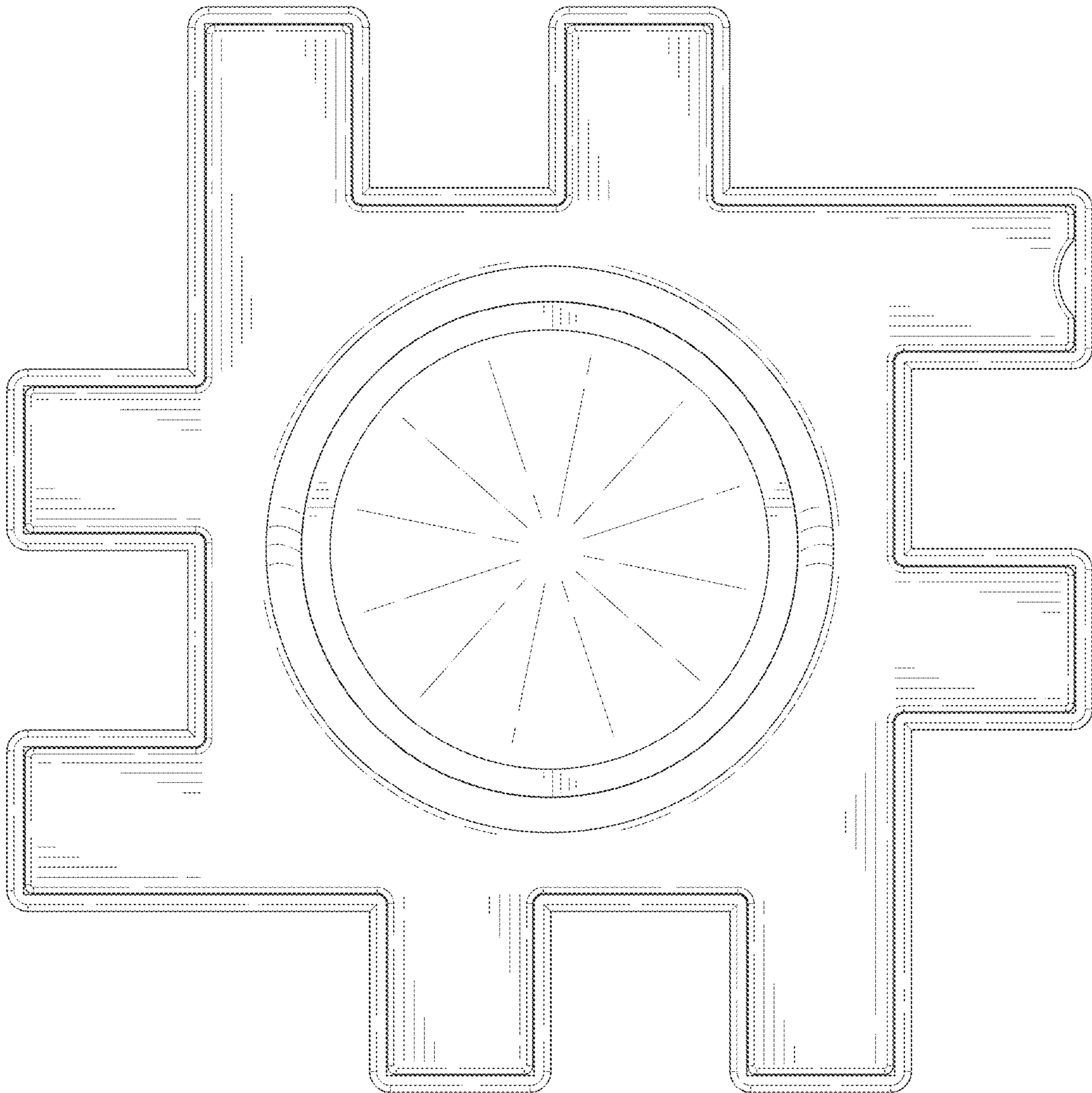


FIG.4

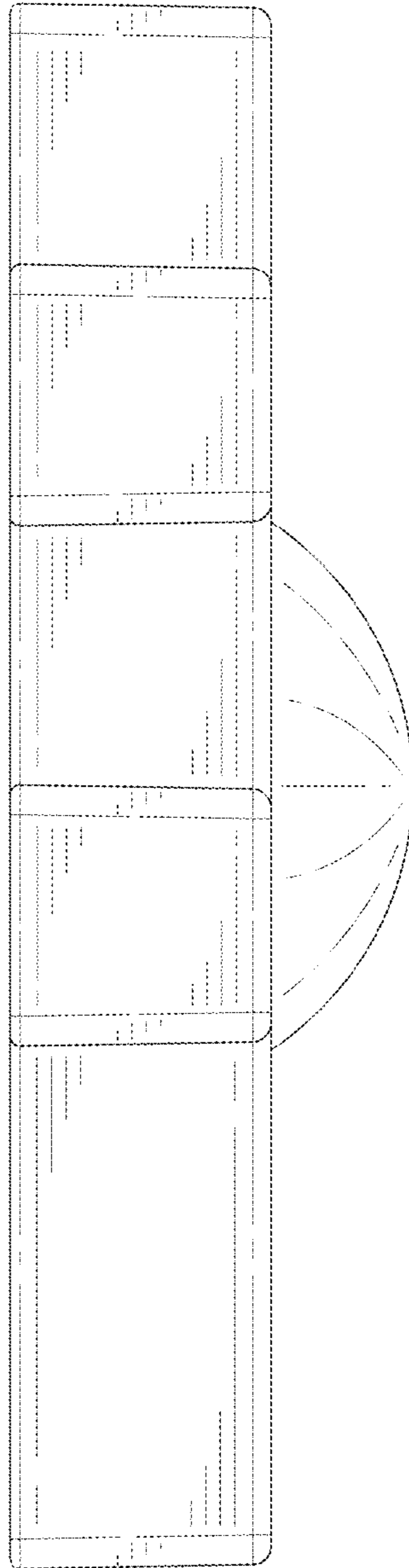


FIG.5

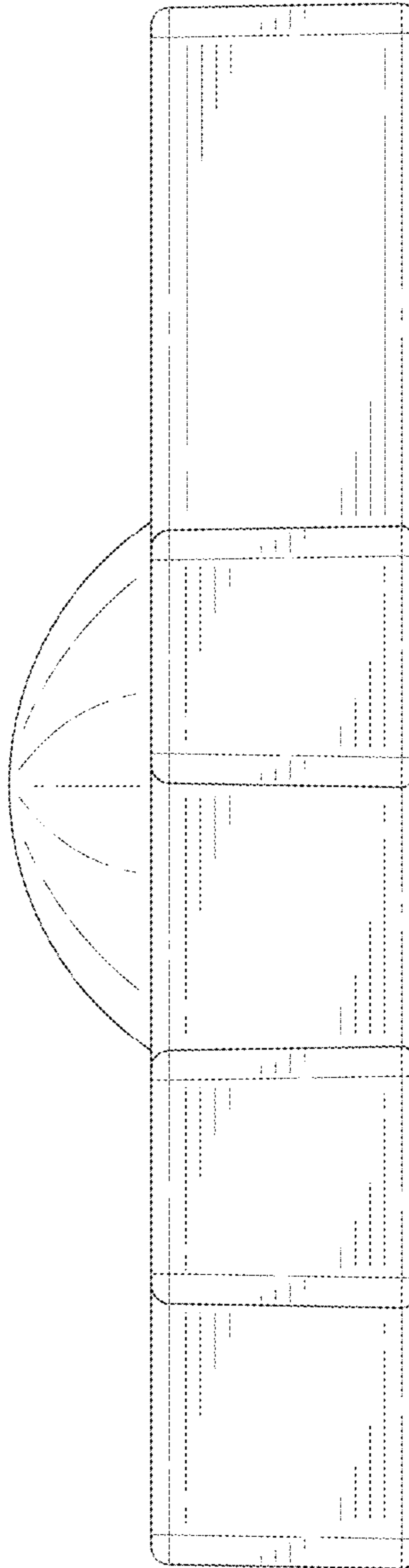


FIG.6

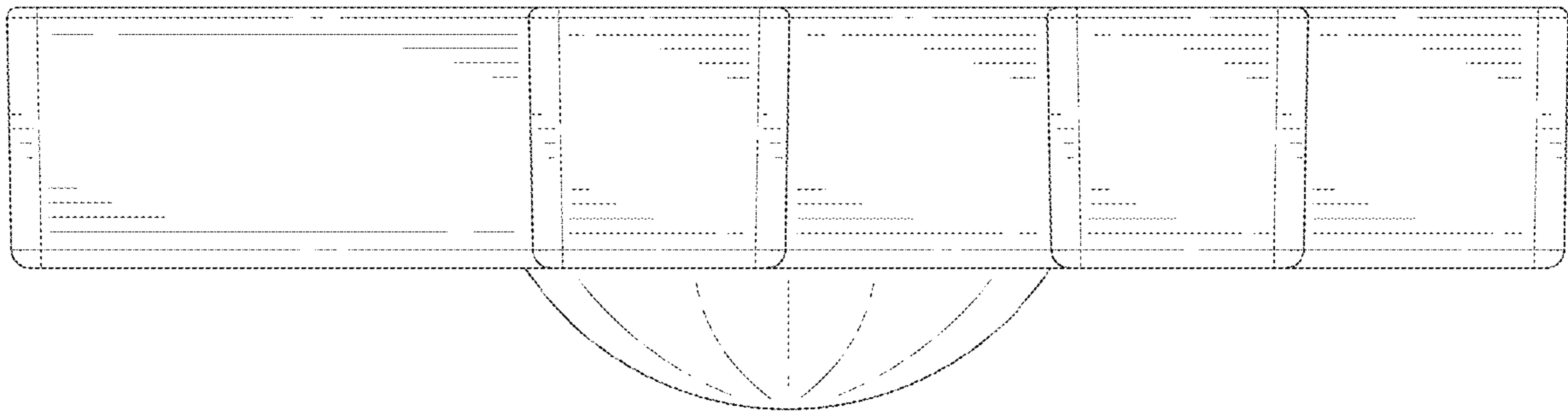


FIG. 7

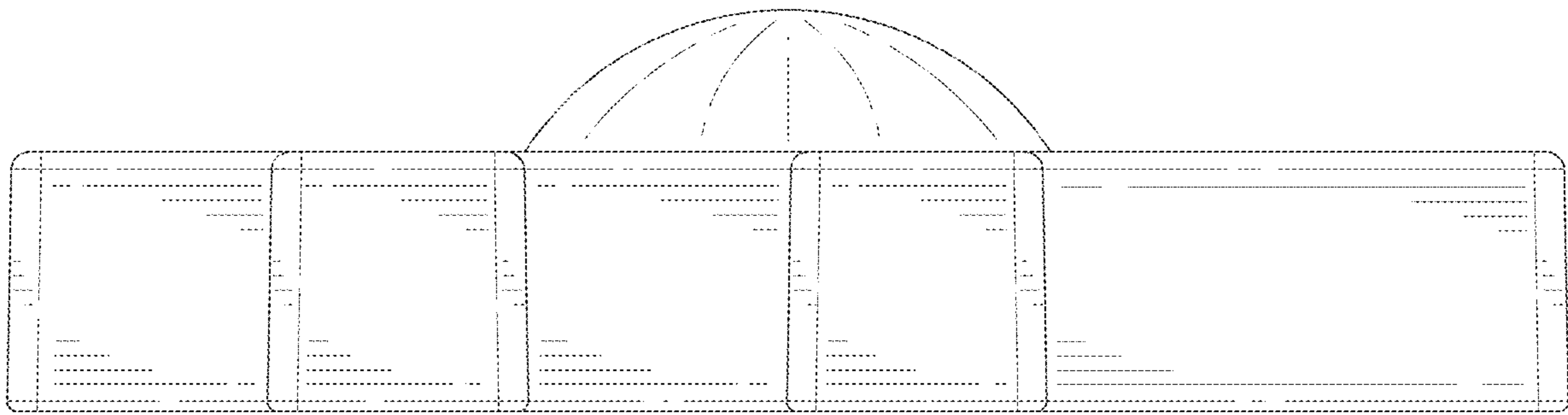


FIG.8