



US00D960250S

(12) **United States Design Patent**
Krogue et al.

(10) **Patent No.:** **US D960,250 S**
(45) **Date of Patent:** **** Aug. 9, 2022**

(54) **CAP FOR ENRICHMENT DEVICE**
(71) Applicants: **Christine Krogue**, Kaysville, UT (US);
John Krogue, Kaysville, UT (US)
(72) Inventors: **Christine Krogue**, Kaysville, UT (US);
John Krogue, Kaysville, UT (US)

(**) Term: **15 Years**
(21) Appl. No.: **29/778,901**

(22) Filed: **Apr. 15, 2021**

(51) **LOC (13) Cl.** **21-01**
(52) **U.S. Cl.**
USPC **D21/468**; D21/473

(58) **Field of Classification Search**
USPC D21/300, 310, 311, 385, 398, 468, 470,
D21/472-476; D9/434-436, 443,
D9/445-447, 499, 503, 504, 716;
D7/387, 391, 392, 392.1, 393, 396.2, 510,
D7/511, 691, 900; D30/121, 122, 132,
D30/160, 162
CPC ... A63H 3/00; A63H 3/02; A63H 3/04; A63H
3/16; A63H 3/26; A63H 3/28; A63H
11/00; A63H 11/10; A63H 11/18; A63H
11/20; A63H 11/205; A63H 13/00; A63H
13/03; A63H 13/18; A63H 15/06; A63H
33/00; A63H 33/006; A63H 33/16; A63H
2011/16; B65D 5/42; B65D 5/4208;
B65D 5/4258; B65D 51/223; B65D
67/00; B65D 77/00; B65D 81/365; B65D
81/366; B65D 81/368; B65D 2251/0015;
B65D 2251/0087

See application file for complete search history.

(56) **References Cited**

U.S. PATENT DOCUMENTS

821,700 A * 5/1906 Burkins F17C 5/06
D7/691
D113,894 S * 3/1939 Hacmac D7/392

D129,728 S * 9/1941 Bernhardt D9/443
2,797,621 A * 7/1957 Gladen B62J 6/20
359/525
3,255,910 A * 6/1966 Winston B65D 51/223
D9/443

(Continued)

FOREIGN PATENT DOCUMENTS

AU 199404013 9/1995
AU 201110421 3/2011

Primary Examiner — Wendy L Arminio

(74) *Attorney, Agent, or Firm* — Wilson Dutra, PLLC;
Camille A. Wilson

(57) **CLAIM**

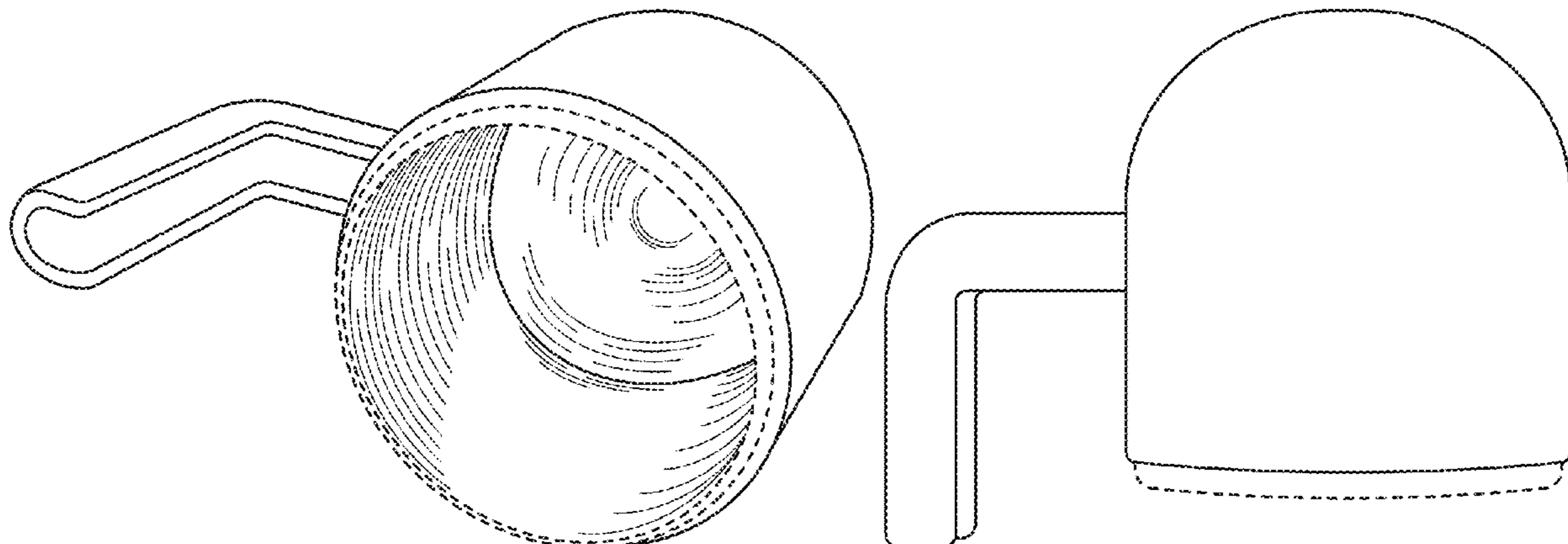
The ornamental design for a cap for enrichment device, as shown and described.

DESCRIPTION

FIG. 1 is a bottom side perspective view of a cap for enrichment device in accordance with the present invention; FIG. 2 is a top side perspective view of the cap for enrichment device in accordance with the present invention; FIG. 3 is a side view of the cap for enrichment device in accordance with the present invention; FIG. 4 is a side view of the cap for enrichment device in accordance with the present invention; FIG. 5 is a top down view of the cap for enrichment device in accordance with the present invention; FIG. 6 is a bottom up view of the cap for enrichment device in accordance with the present invention; FIG. 7 is a front view of the cap for enrichment device in accordance with the present invention; and, FIG. 8 is a rear view of the cap for enrichment device in accordance with the present invention.

The broken lines are included for the purpose of illustrating portions of the cap for enrichment device that form no part of the claimed design. None of the broken lines form a part of the claimed design.

1 Claim, 4 Drawing Sheets



(56)

References Cited

U.S. PATENT DOCUMENTS

| | | | | | | |
|--------------|----|---|---------|---------------|-------|-------------------------|
| D207,033 | S | * | 2/1967 | Bowker | | D9/443 |
| D217,485 | S | * | 5/1970 | Kohner et al. | | D21/474 |
| 4,050,826 | A | * | 9/1977 | Berghahn | | B65D 51/18 401/196 |
| D259,887 | S | * | 7/1981 | Croushore | | D21/473 |
| D260,078 | S | * | 8/1981 | Casoni | | D9/716 |
| D260,471 | S | | 9/1981 | Douglas | | |
| D293,291 | S | * | 12/1987 | Hansen | | D7/533 |
| D298,098 | S | * | 10/1988 | Craig, III | | D7/511 |
| D320,350 | S | | 10/1991 | Fabiano | | |
| D347,547 | S | | 6/1994 | Heinrich | | |
| D349,429 | S | * | 8/1994 | Morehead | | D7/511 |
| D480,633 | S | * | 10/2003 | Miranda | | D9/504 |
| D511,684 | S | * | 11/2005 | Guyot | | D9/443 |
| D551,023 | S | * | 9/2007 | Natalino | | D7/361 |
| D577,583 | S | * | 9/2008 | Porter | | D9/447 |
| D598,713 | S | * | 8/2009 | Luft | | D7/533 |
| D600,978 | S | | 9/2009 | Poindexter | | |
| D613,121 | S | * | 4/2010 | Luft | | D7/533 |
| D682,017 | S | * | 5/2013 | Smiedt | | D9/446 |
| D723,106 | S | * | 2/2015 | Kino | | D21/473 |
| D741,676 | S | * | 10/2015 | Li | | D21/468 |
| D794,392 | S | * | 8/2017 | Rashid | | D7/511 |
| D809,060 | S | * | 1/2018 | Zhang | | D19/194 |
| D846,983 | S | * | 4/2019 | Horn | | D9/436 |
| 11,260,274 | B1 | * | 3/2022 | Krogue | | A63F 7/3622 |
| 2013/0199989 | A1 | * | 8/2013 | Carter | | A47G 19/2266 210/464 |

* cited by examiner

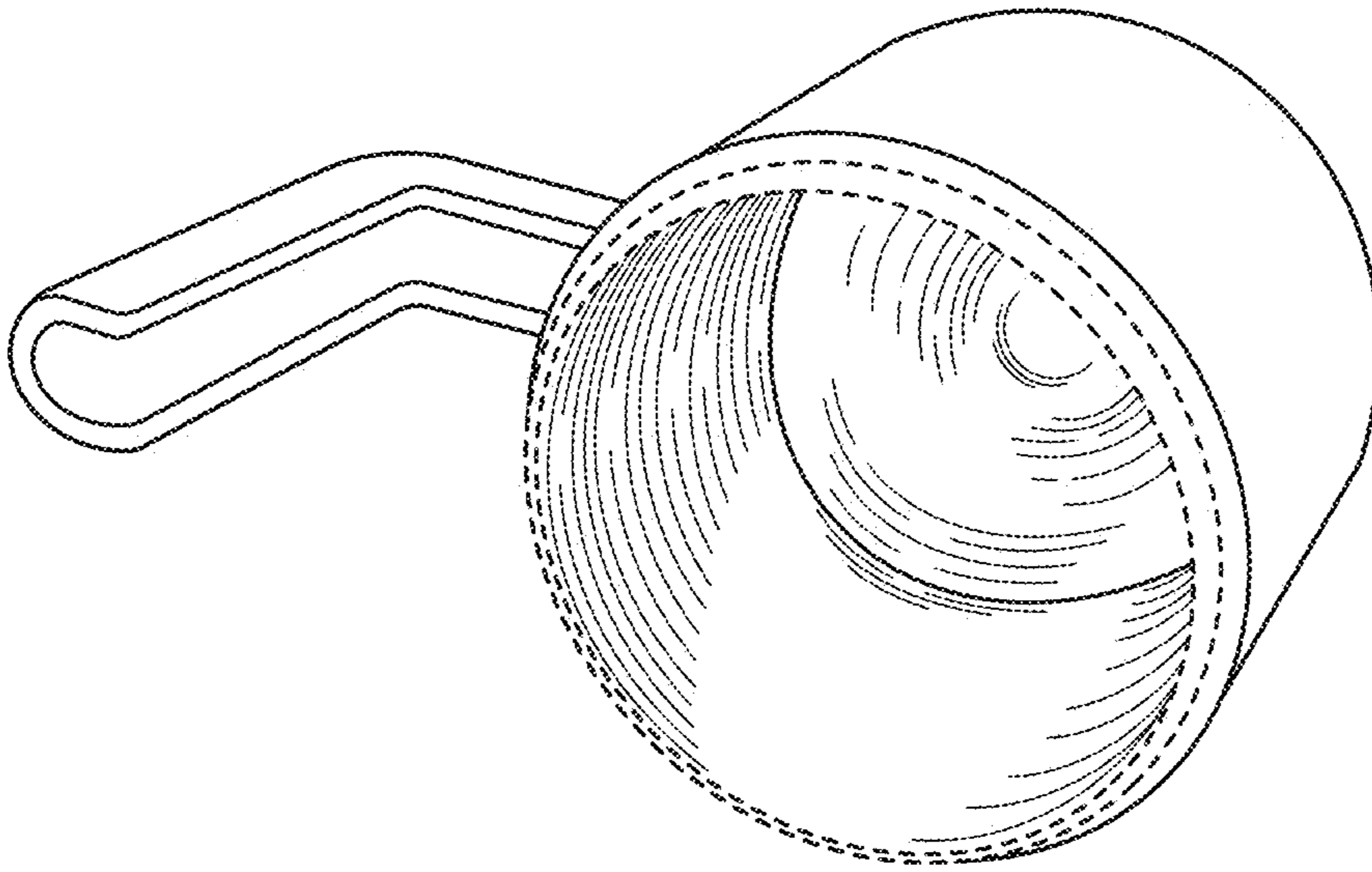


FIG. 1

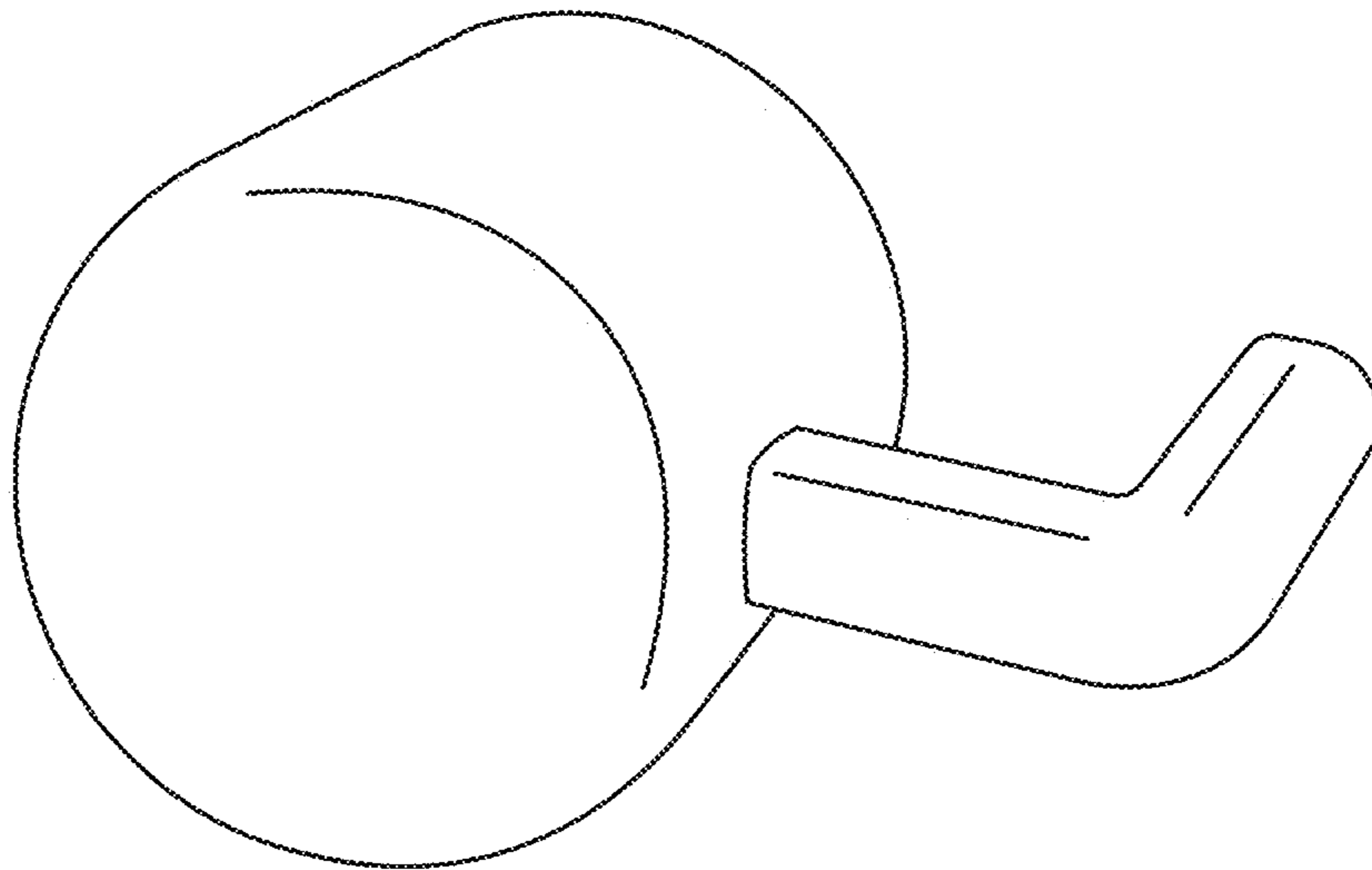


FIG. 2

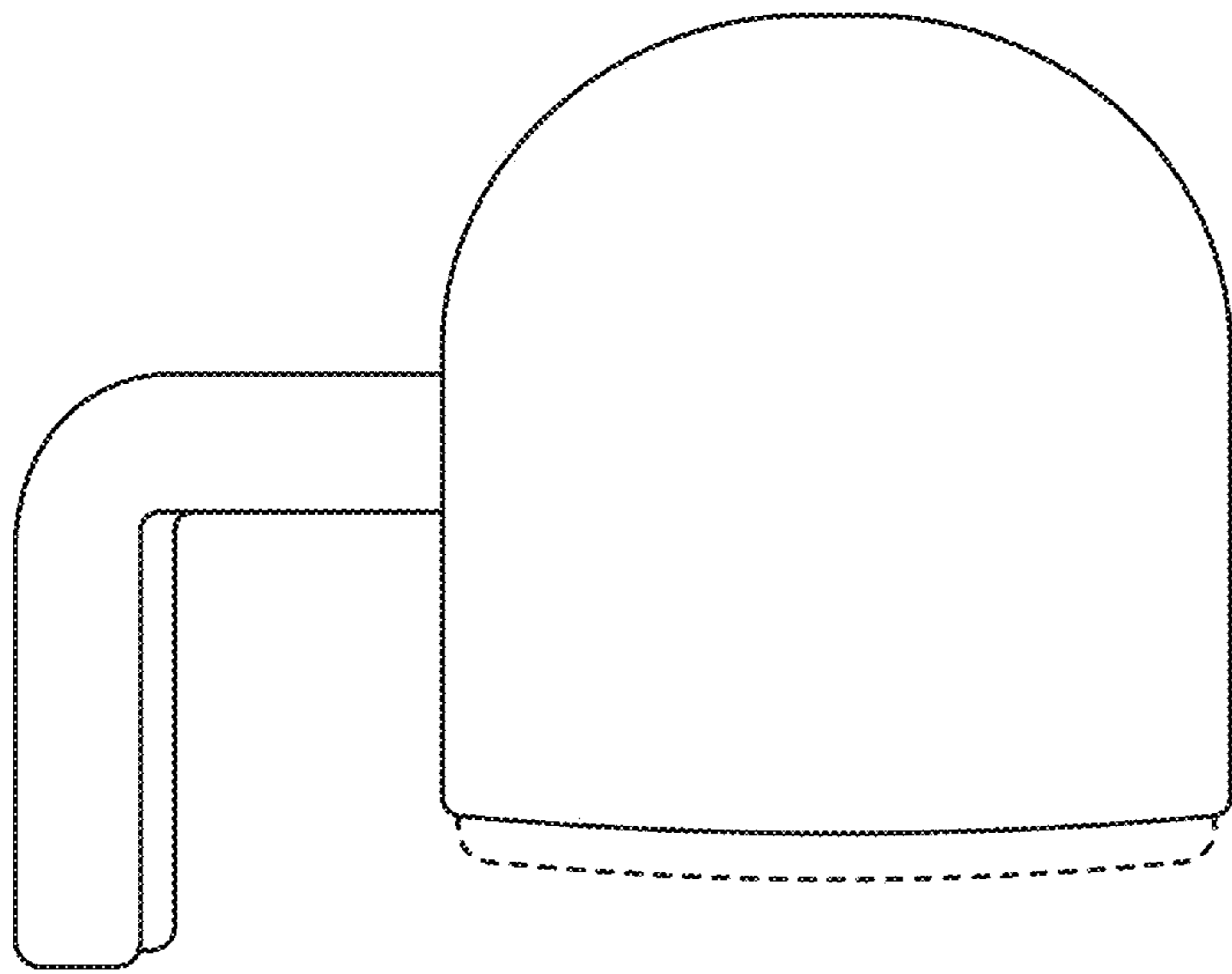


FIG. 3

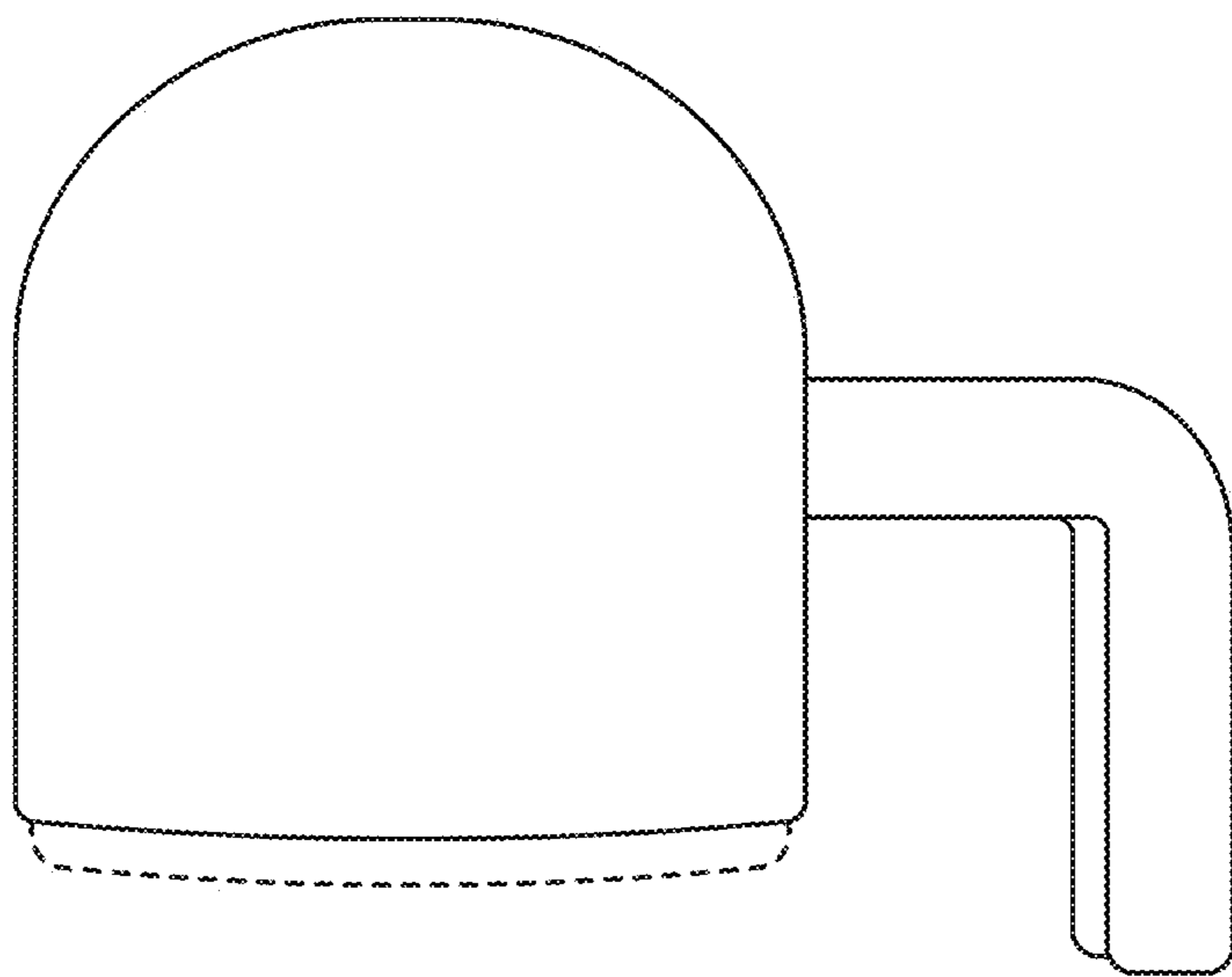


FIG. 4

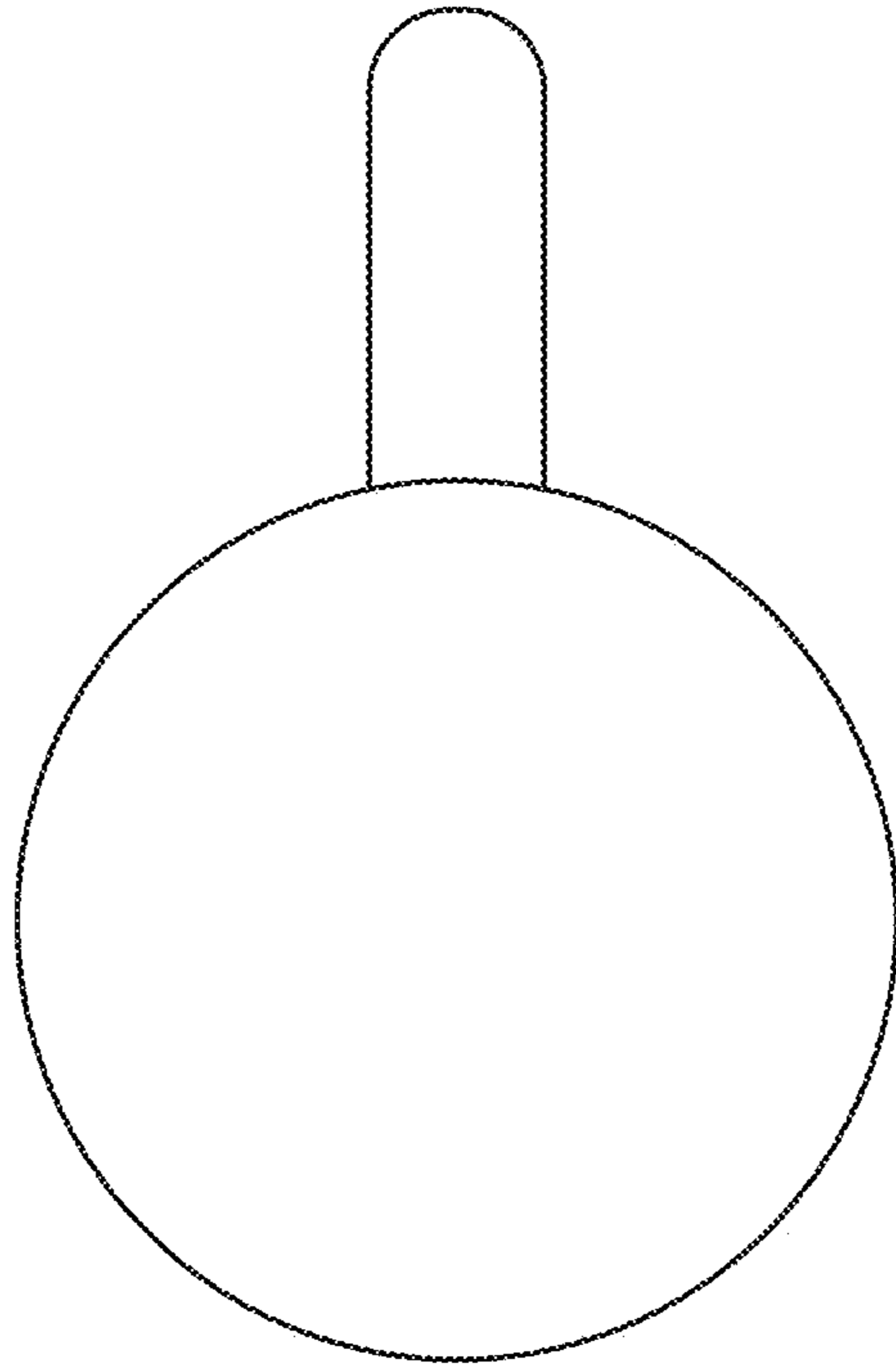


FIG. 5

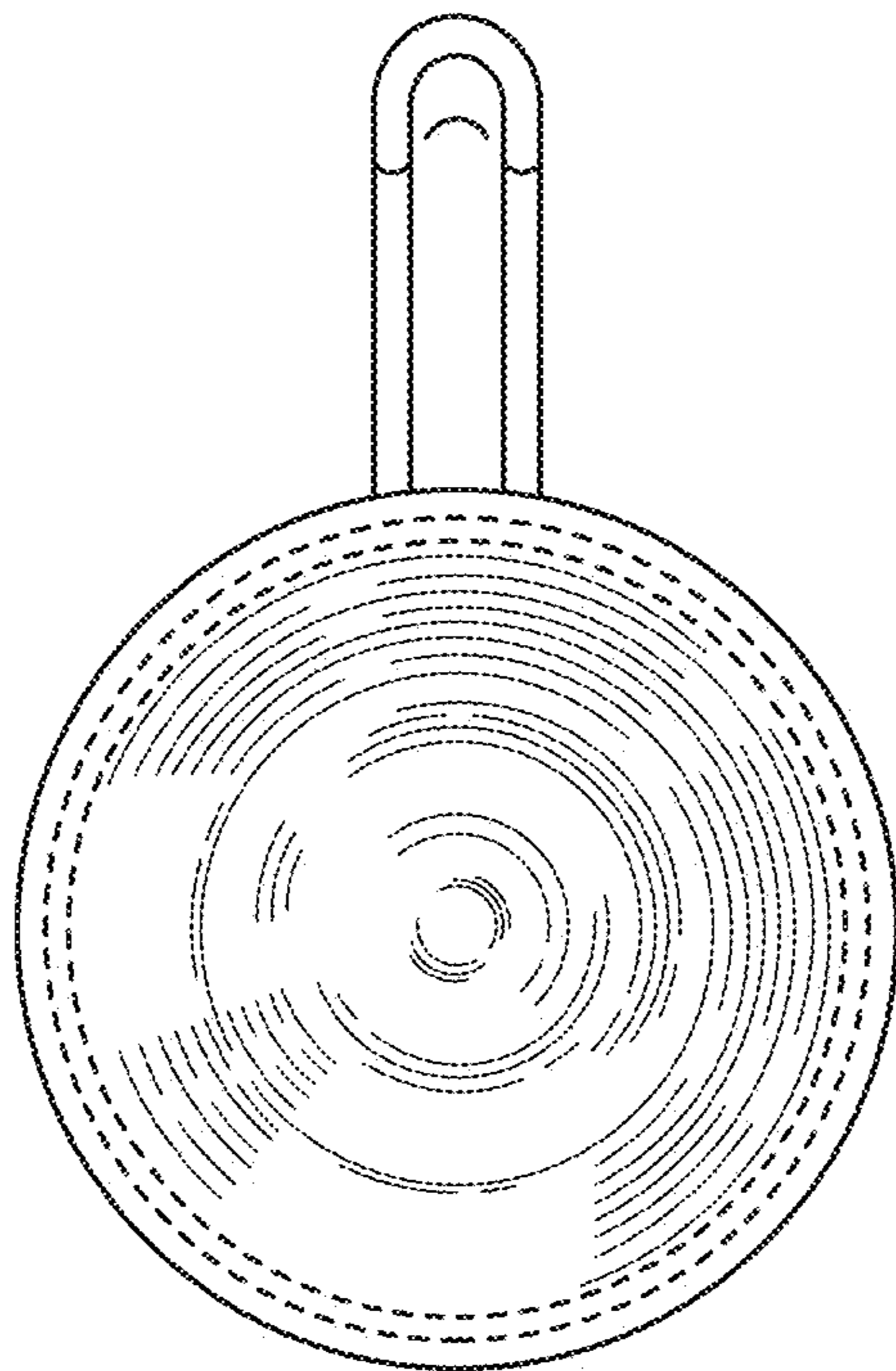


FIG. 6

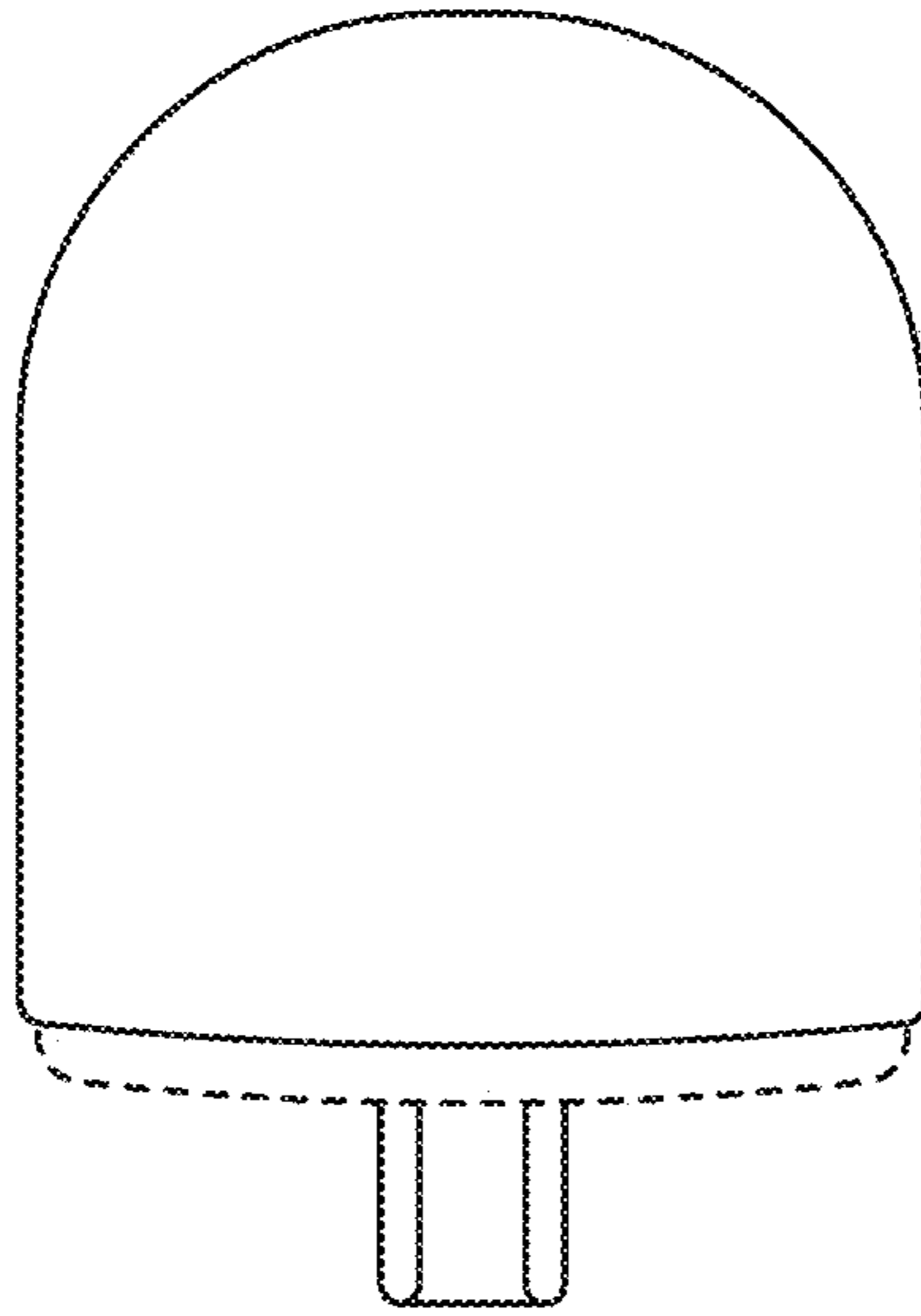


FIG. 7

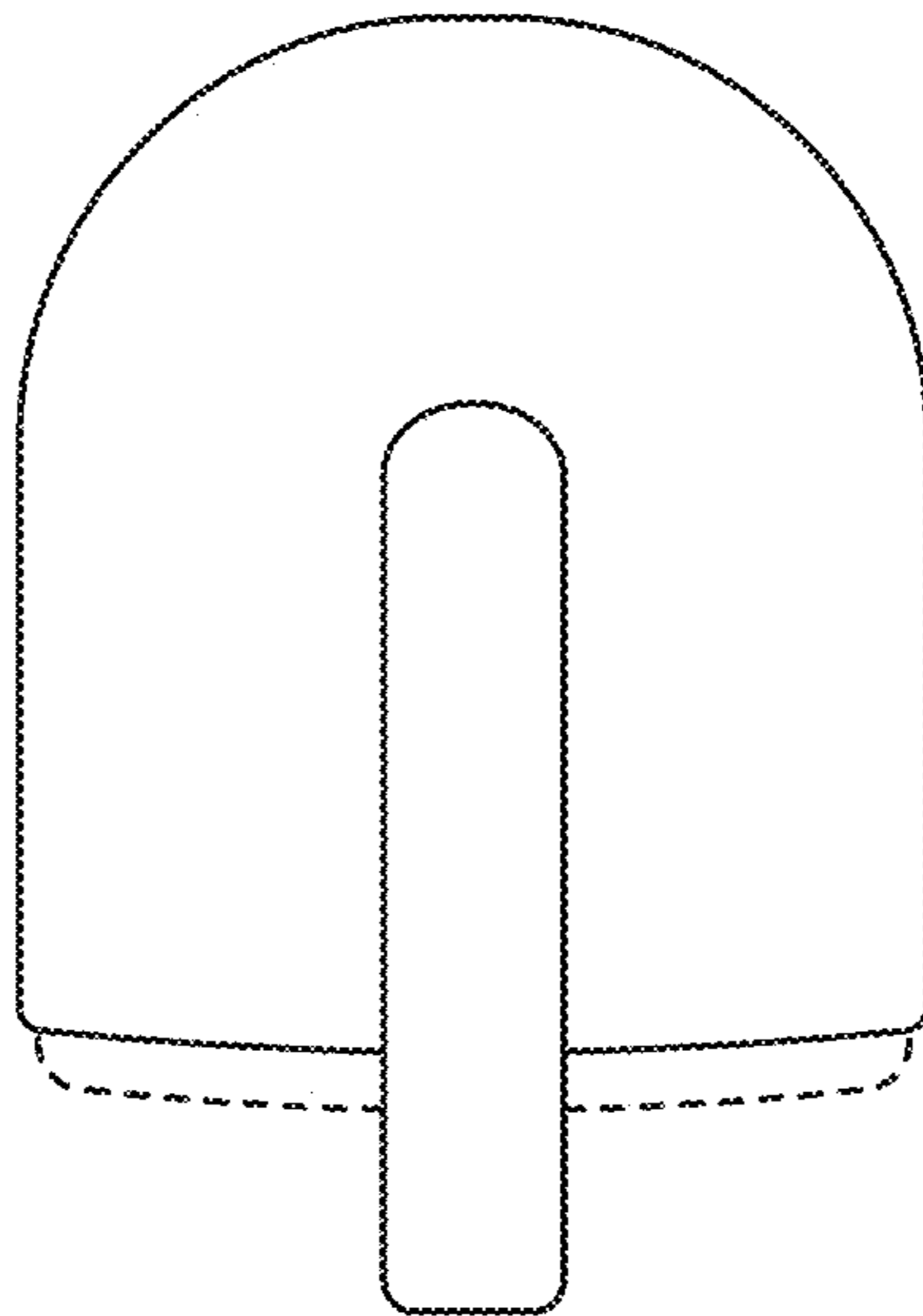


FIG. 8