

US00D960249S

(12) **United States Design Patent** (10) **Patent No.:** **US D960,249 S**
Peeters et al. (45) **Date of Patent:** **** Aug. 9, 2022**

(54) **APPLE GAME BOARD**
(71) Applicant: **SMART N.V.**, Kontich (BE)
(72) Inventors: **Raf Peeters**, Lier (BE); **Leighton Meredith Rees**, Cirencester (GB)

D489,971 S * 5/2004 Tamez D28/67
D615,828 S * 5/2010 Shamoan D7/699
D688,137 S * 8/2013 Kuo D9/414
D751,918 S * 3/2016 Hojaiban D9/414
D818,832 S * 5/2018 Caly D9/426

(Continued)

(73) Assignee: **SMART N.V.**, Kontich (BE)
(**) Term: **15 Years**

OTHER PUBLICATIONS

“Apple Twist Game” posted Jul. 3, 2021 [Online], [retrieved Feb. 3, 2022]. Retrieved from Internet: <https://amzn.to/348adFT>.*

(21) Appl. No.: **29/796,940**
(22) Filed: **Jun. 28, 2021**

Primary Examiner — Mehri F Bajoul
(74) *Attorney, Agent, or Firm* — Hodgson Russ LLP

(30) **Foreign Application Priority Data**

(57) **CLAIM**

The ornamental design for an apple game board, as shown and described.

Dec. 31, 2020 (EM) 008375224-0002

(51) **LOC (13) Cl.** **21-01**

DESCRIPTION

(52) **U.S. Cl.**
USPC **D21/341**

(58) **Field of Classification Search**
USPC D21/303, 313, 341, 342, 344, 345, 354, D21/366, 385, 386, 389, 392, 397, 455, D21/468, 466, 493, 496; D9/423, 436, D9/499, 645, 721, 756, 757, 761, 762, D9/441; D7/354, 359, 672, 506, 514, D7/518, 539, 551.1, 559, 560, 600, 601, D7/604, 610, 659; D15/90; D3/211, D3/212, 223, 227, 234; D11/211, 225, D11/228, 30, 33, 44, 48, 63, 79, 86
CPC A63F 3/00694; A63F 3/00176; A63F 3/00; A63F 9/00; A63F 9/001; A63F 9/0081; A63F 1/06; G07F 17/00; G16H 20/60
See application file for complete search history.

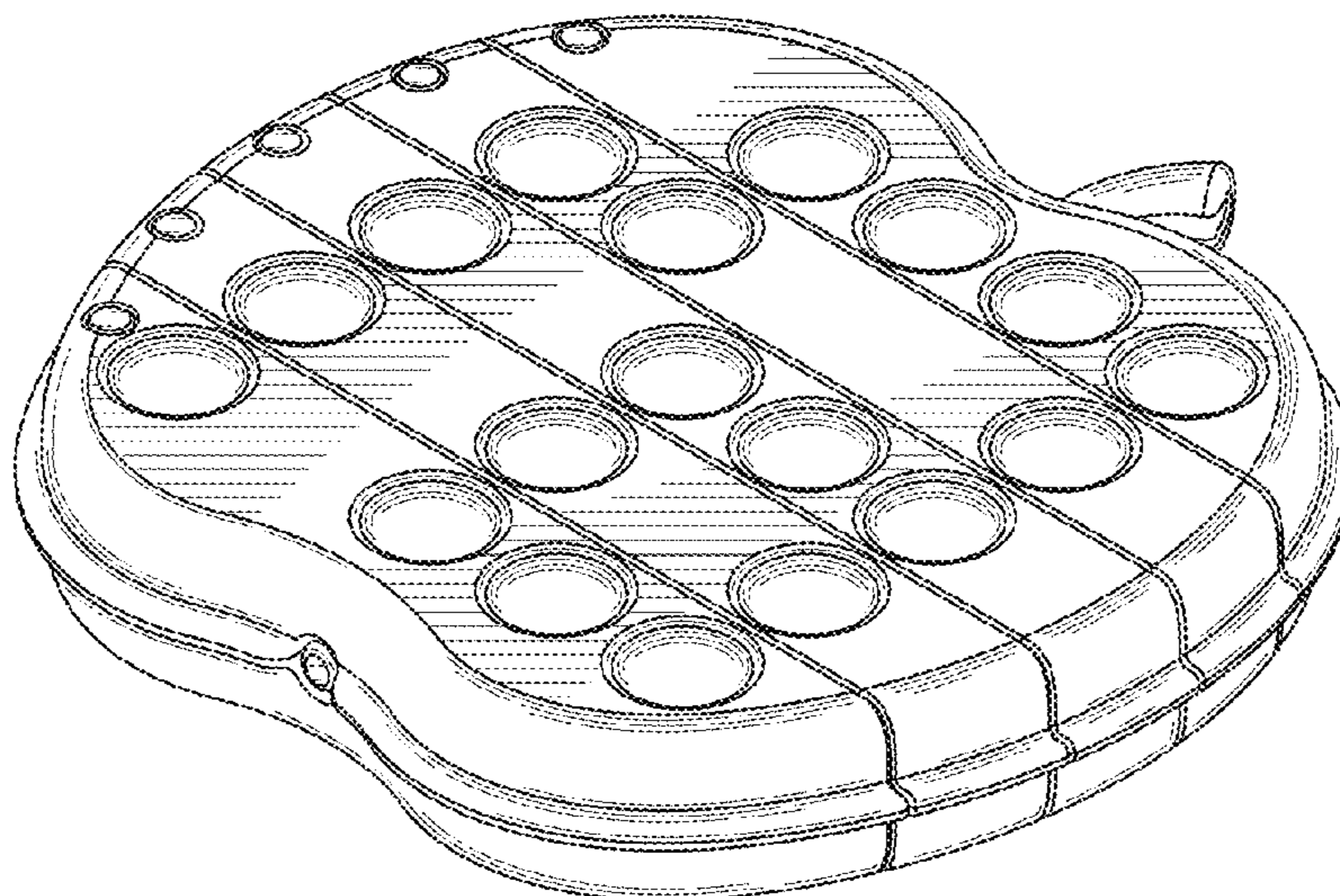
FIG. 1 is a front-top-right perspective view of an apple game board, showing our new design in a first position;
FIG. 2 is right side elevation view thereof;
FIG. 3 is a left side elevation view thereof;
FIG. 4 is front elevation view thereof;
FIG. 5 is a rear elevation view thereof;
FIG. 6 is a top plan view thereof;
FIG. 7 is a bottom plan view thereof;
FIG. 8 is a front-bottom-right perspective view thereof;
FIG. 9 is a front-top-right perspective view of the apple game board in a second position;
FIG. 10 is a right side elevation view thereof;
FIG. 11 is a left side elevation view thereof;
FIG. 12 is a front elevation view thereof;
FIG. 13 is a rear elevation view thereof;
FIG. 14 is a top plan view thereof;
FIG. 15 is a bottom plan view thereof;
FIG. 16 is a front-bottom-right perspective view thereof;
FIG. 17 is a front-top-right perspective view of the apple game board in a third position; and,
FIG. 18 is a front-bottom-right perspective view thereof.

(56) **References Cited**

U.S. PATENT DOCUMENTS

D251,535 S * 4/1979 Lutzker D7/699
D314,695 S * 2/1991 Sata D7/699
D454,061 S * 3/2002 Davis D9/645
D455,342 S * 4/2002 Chen D9/645

1 Claim, 14 Drawing Sheets



(56)

References Cited

U.S. PATENT DOCUMENTS

D825,346	S	*	8/2018	Caly	D9/426
D832,111	S	*	10/2018	Lai	D9/422
D924,336	S	*	7/2021	Yu	D21/341
D924,980	S	*	7/2021	Yu	D21/341
D930,084	S	*	9/2021	Ye	D21/468
D937,358	S	*	11/2021	Chen	D21/348
D937,359	S	*	11/2021	Chen	D21/360
D939,635	S	*	12/2021	Chen	D21/468
D940,243	S	*	1/2022	Yu	D21/313
D941,398	S	*	1/2022	Zhang	D21/468

* cited by examiner

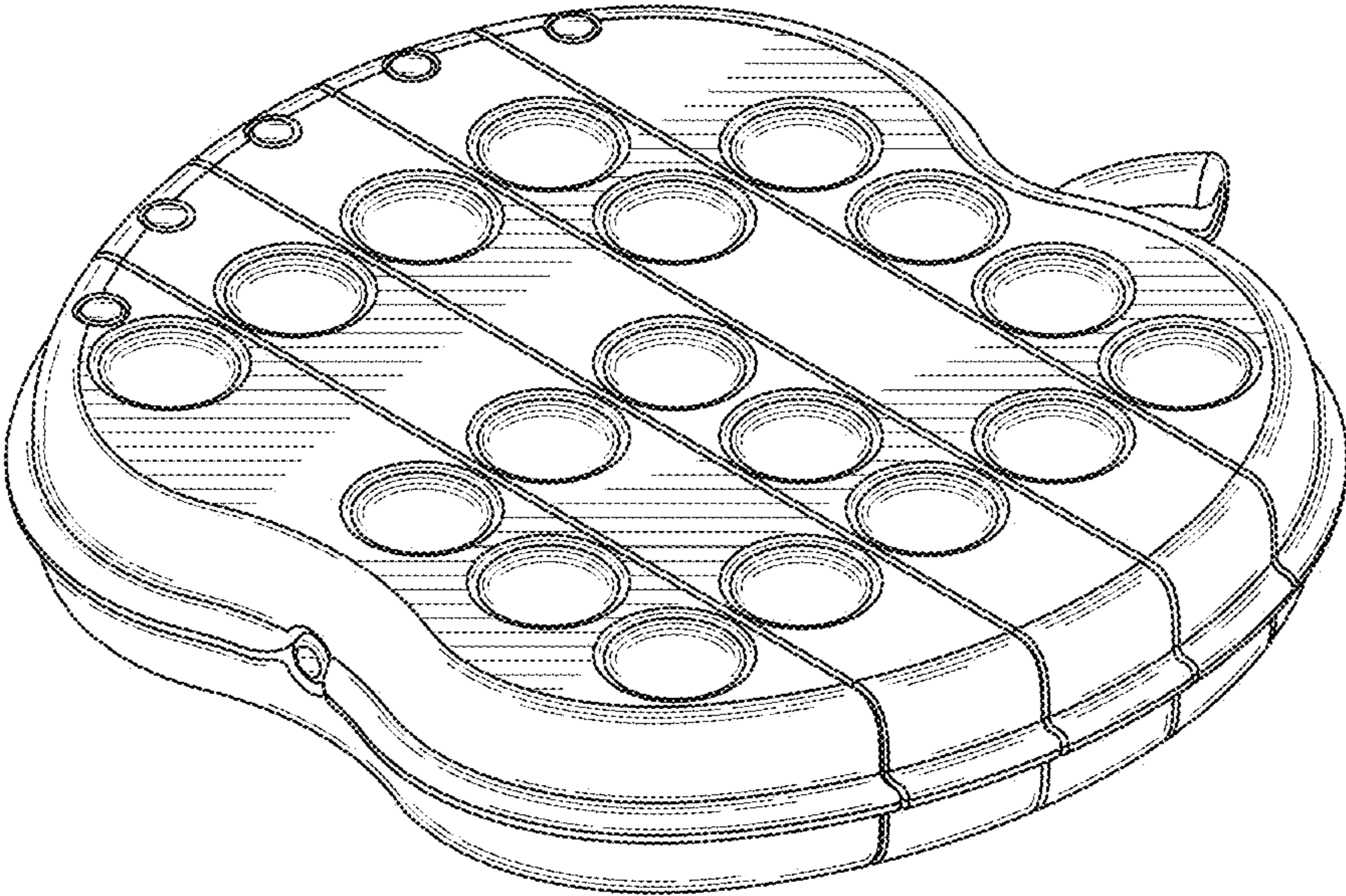


FIG. 1

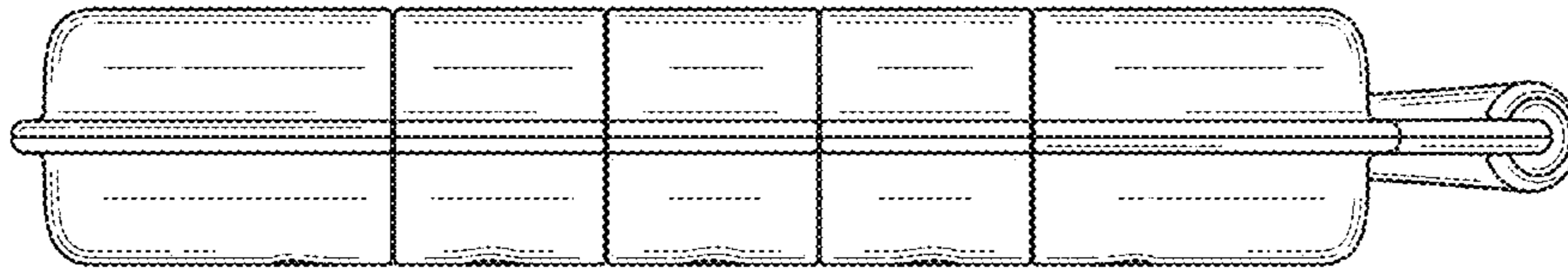


FIG. 2

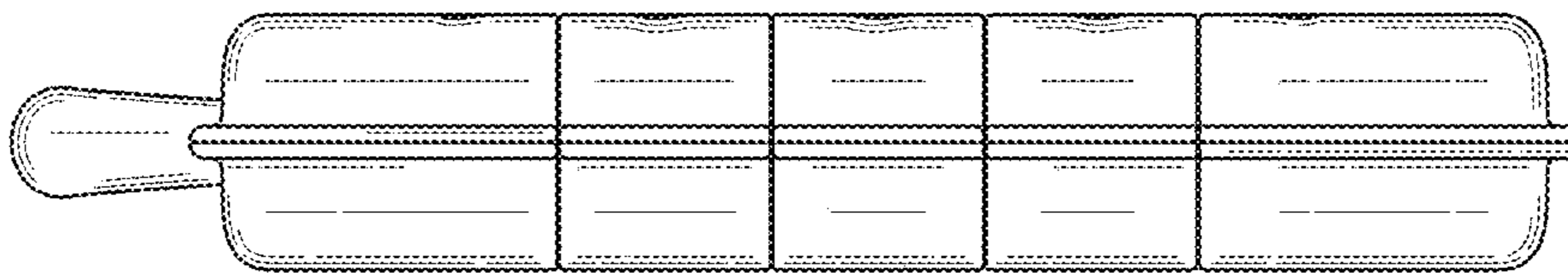


FIG. 3

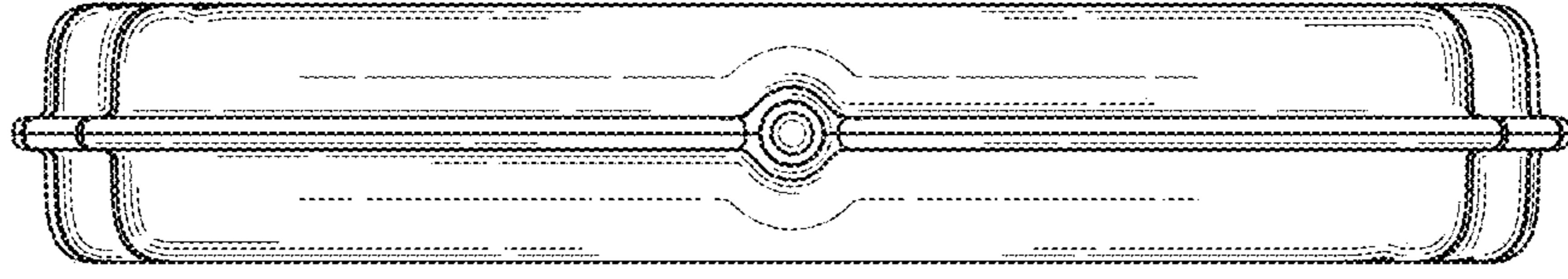


FIG. 4

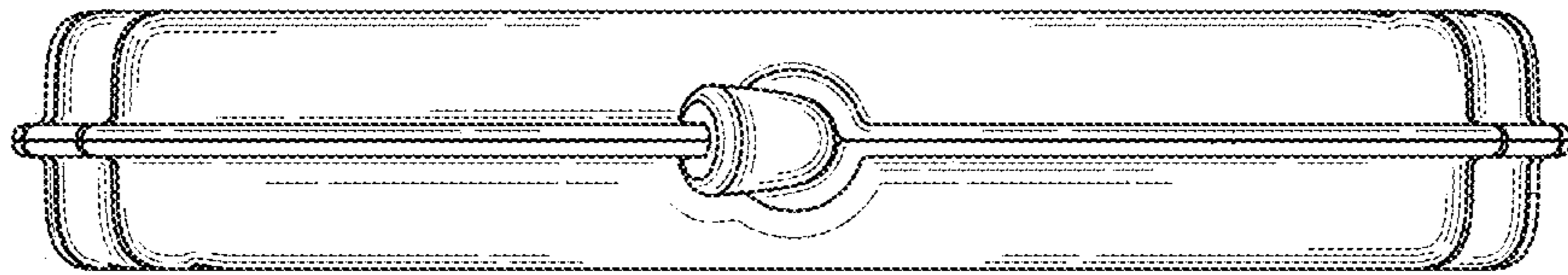


FIG. 5

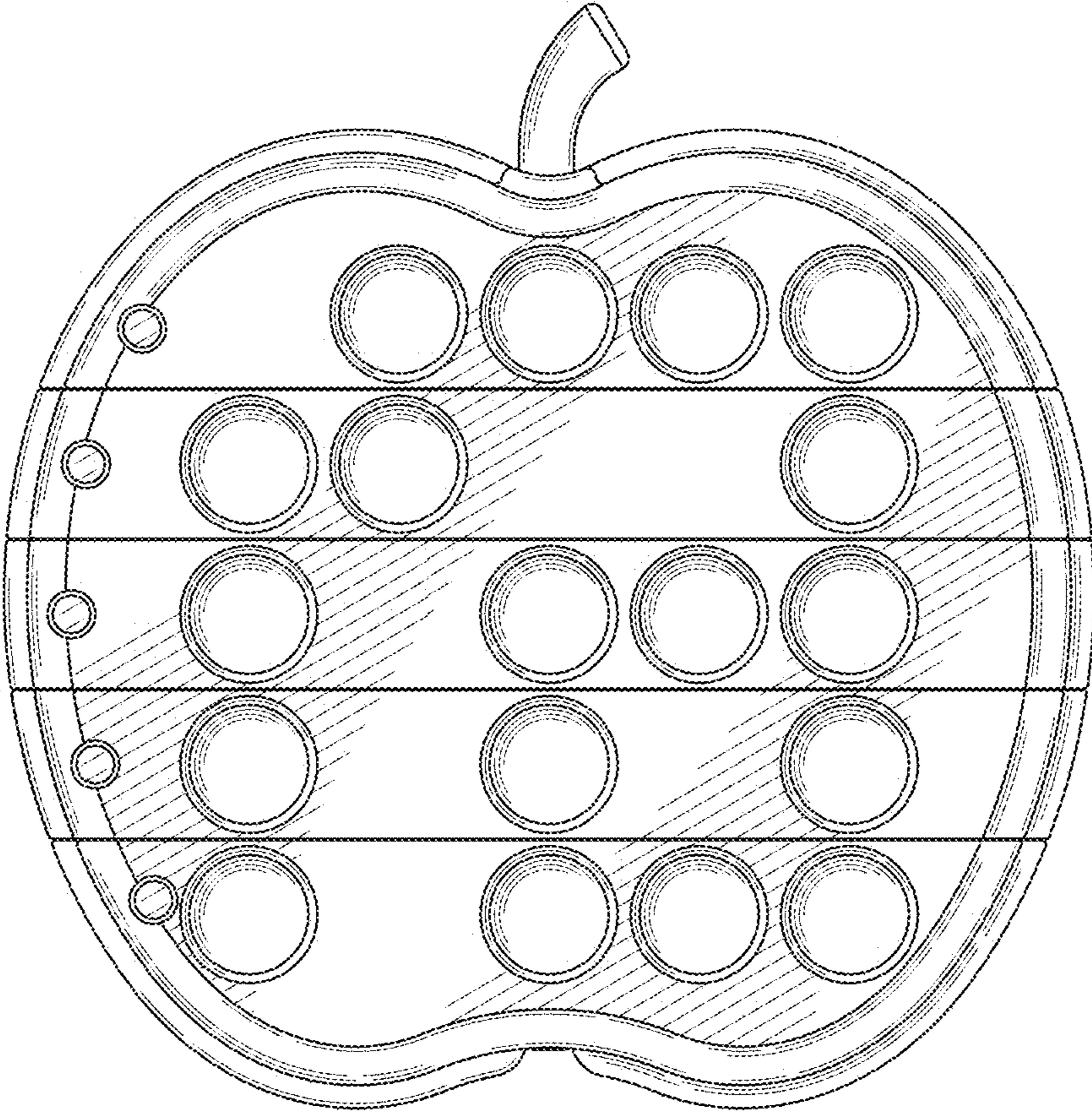


FIG. 6

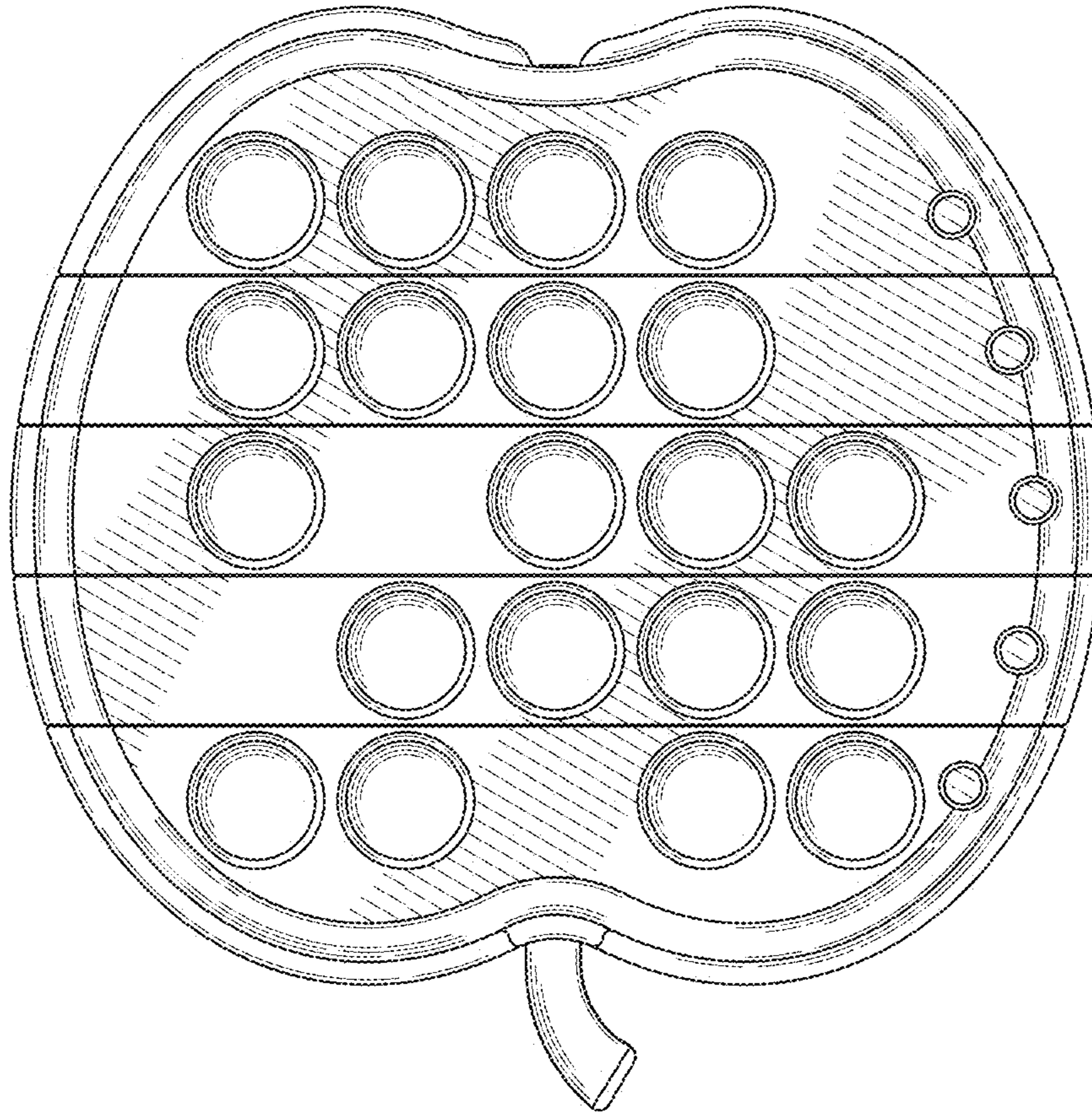


FIG. 7

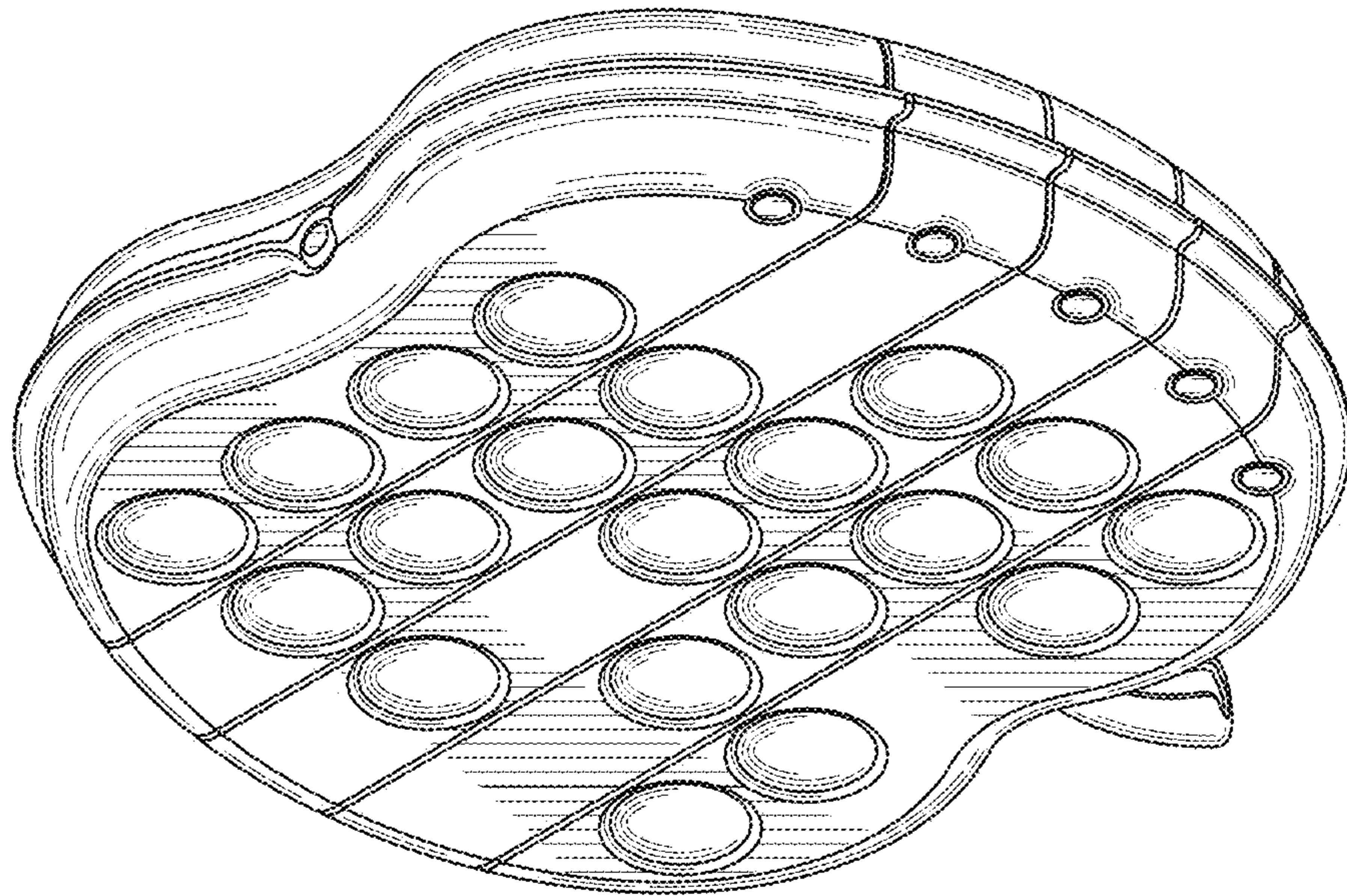


FIG. 8

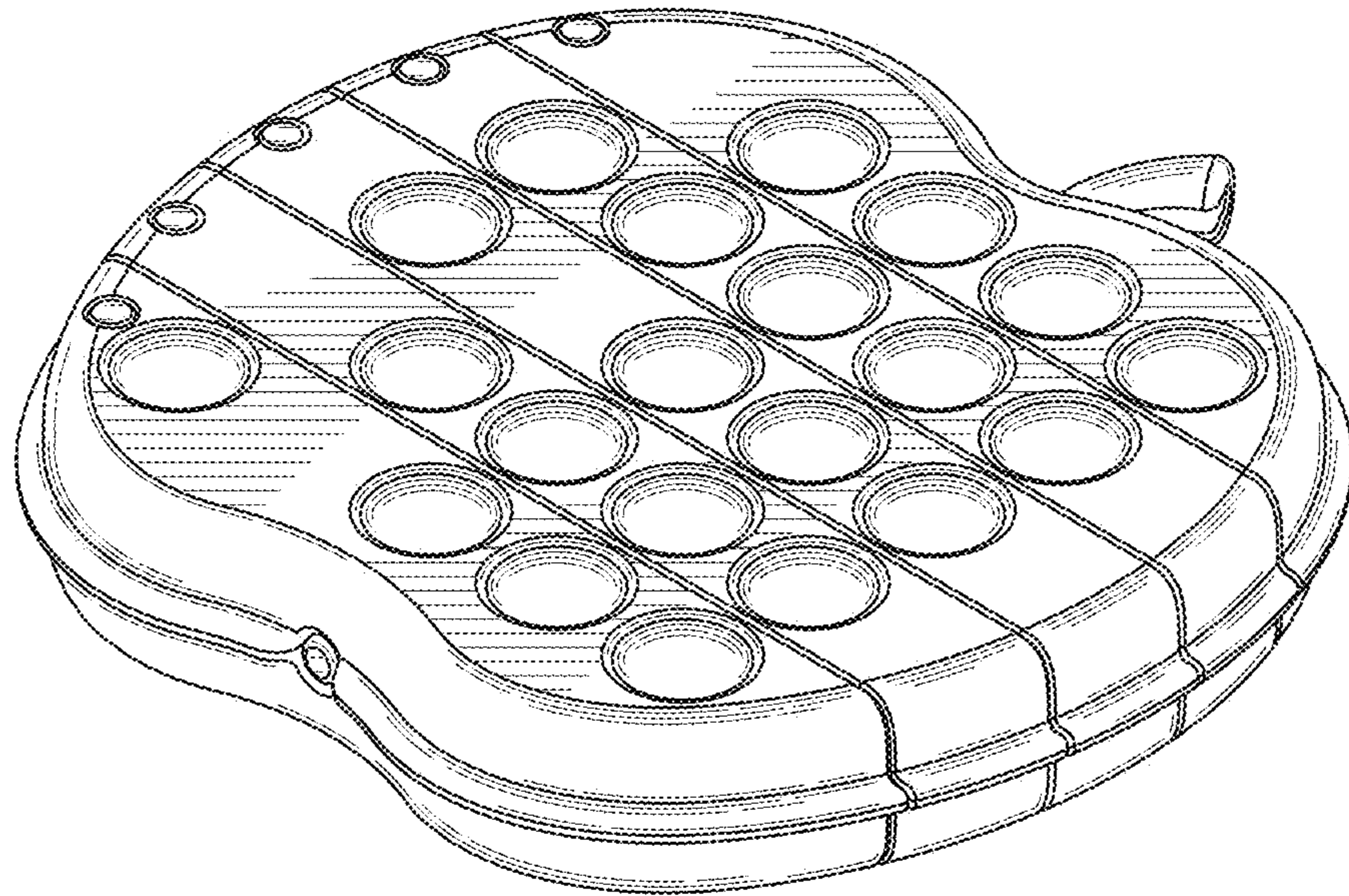


FIG. 9

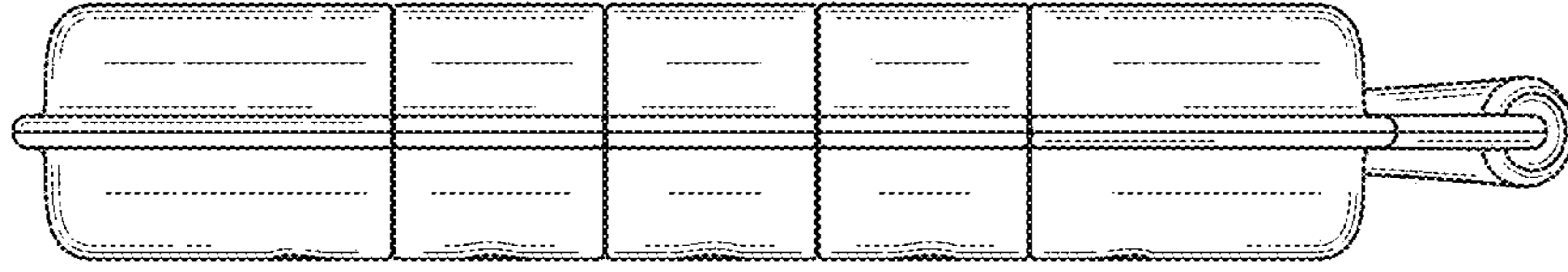


FIG. 10

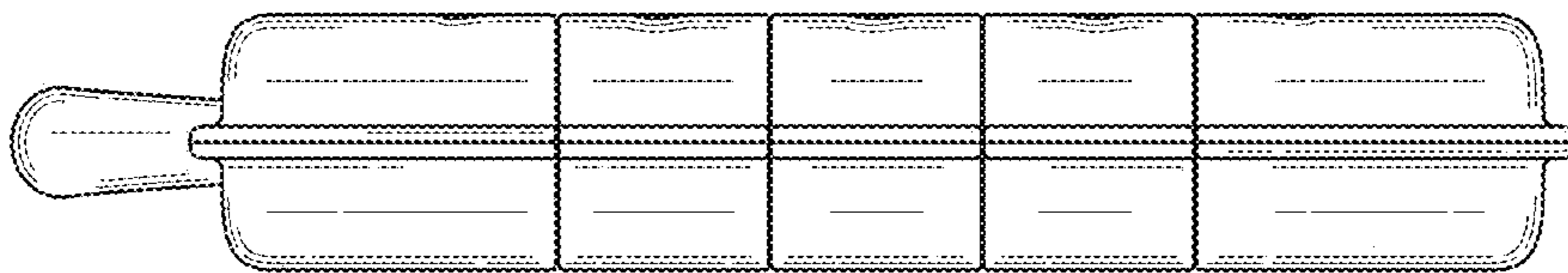


FIG. 11

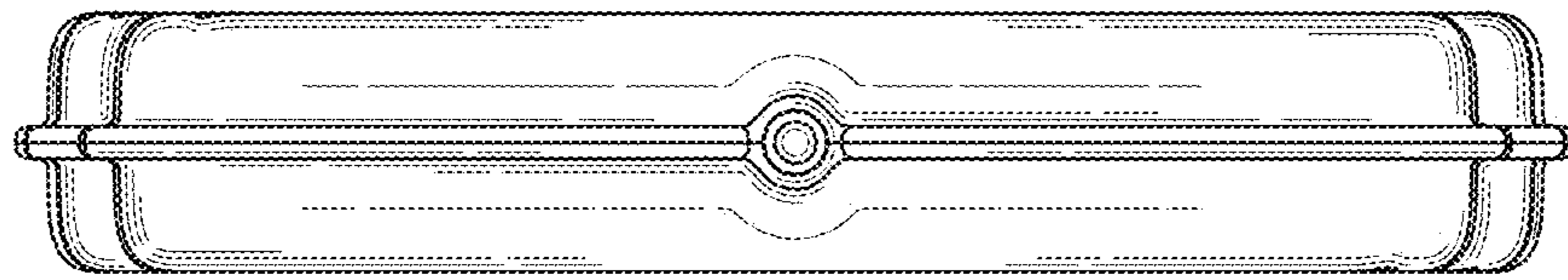


FIG. 12

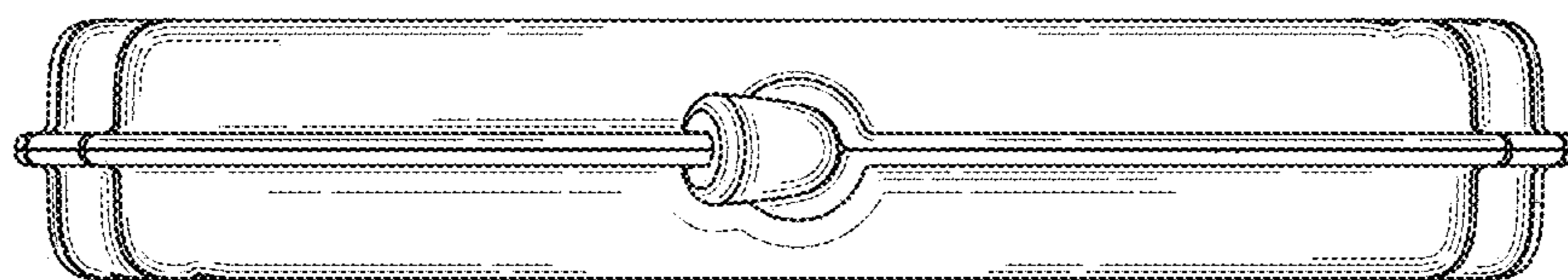


FIG. 13

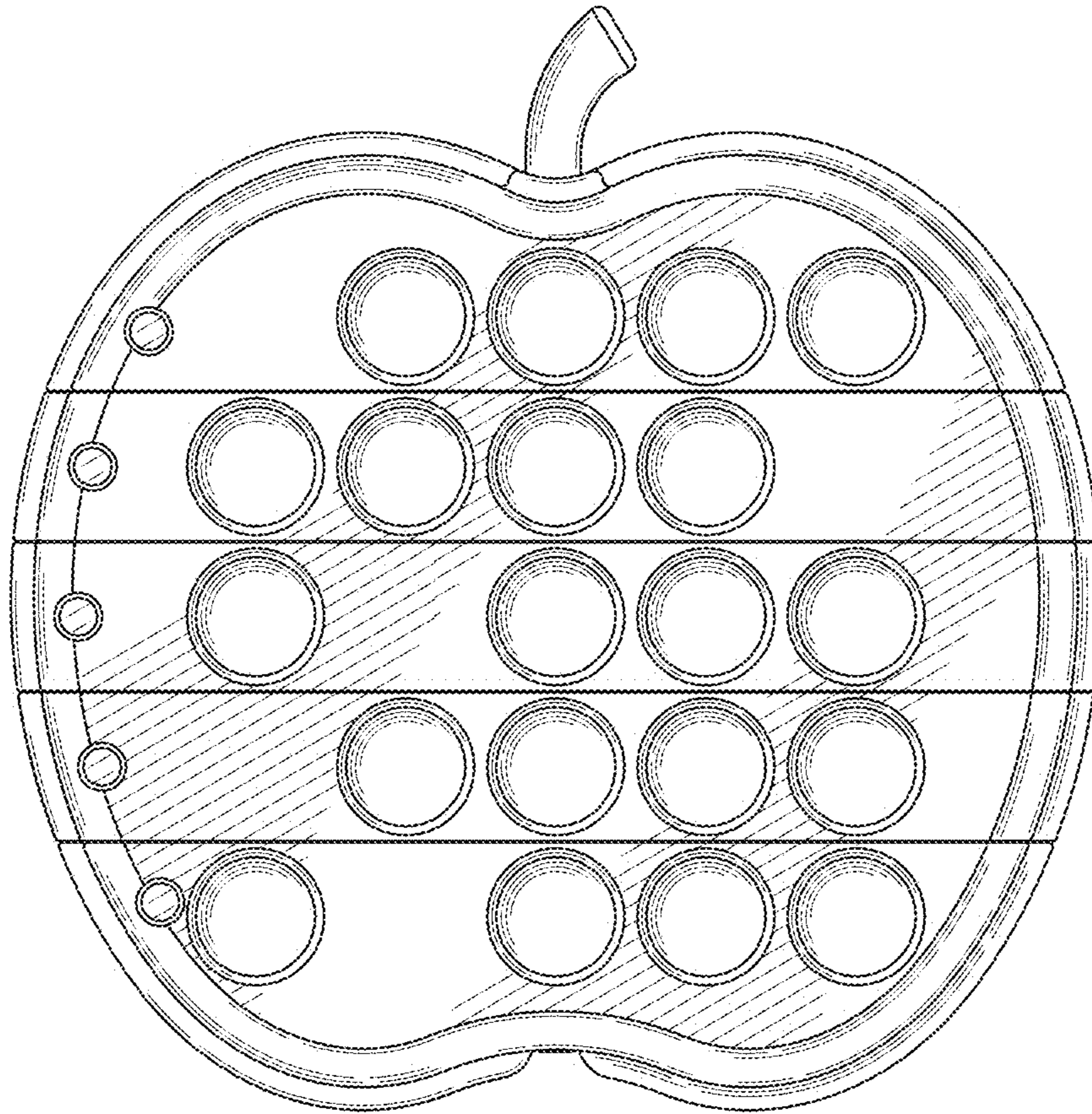


FIG. 14

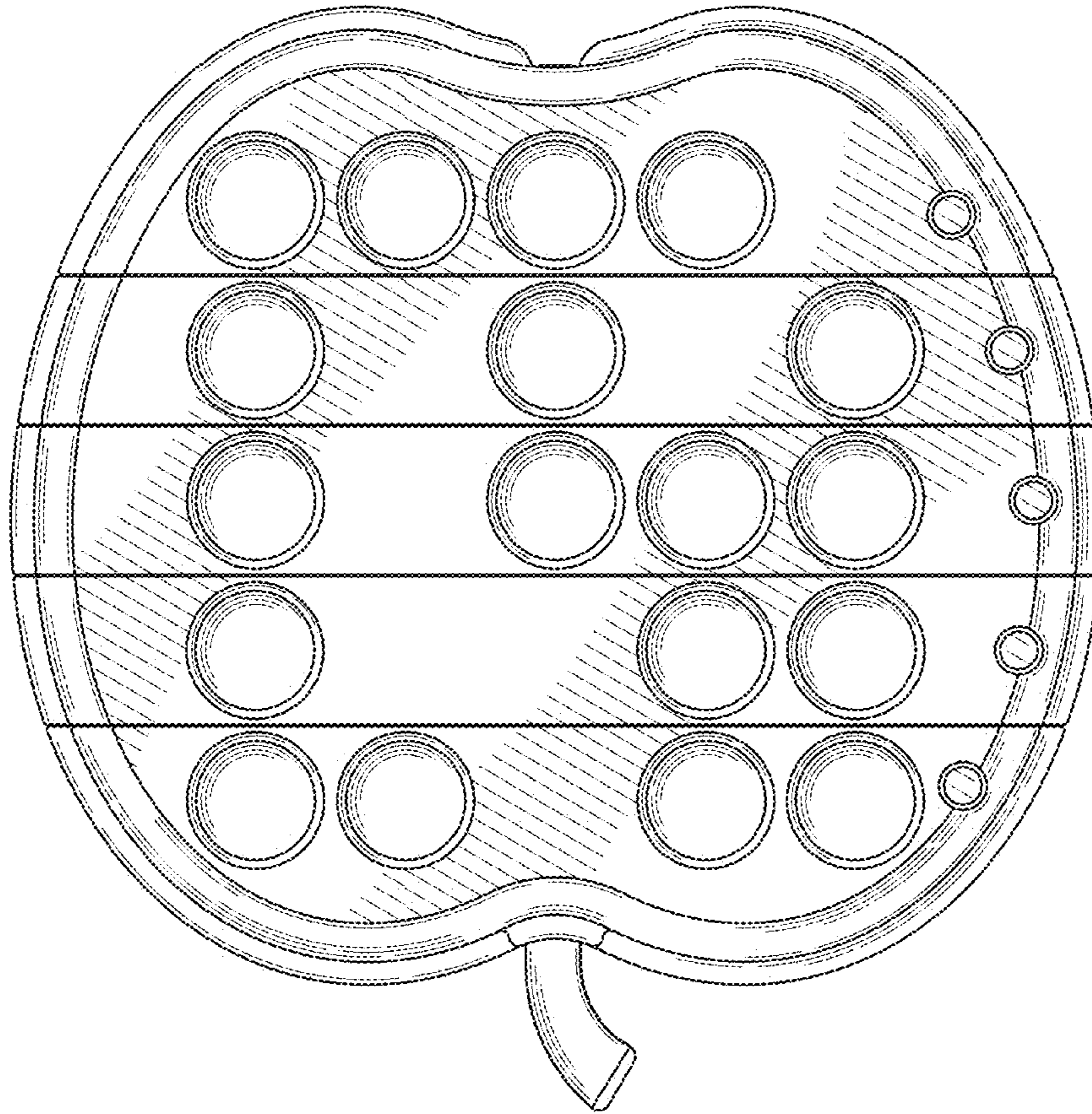


FIG. 15

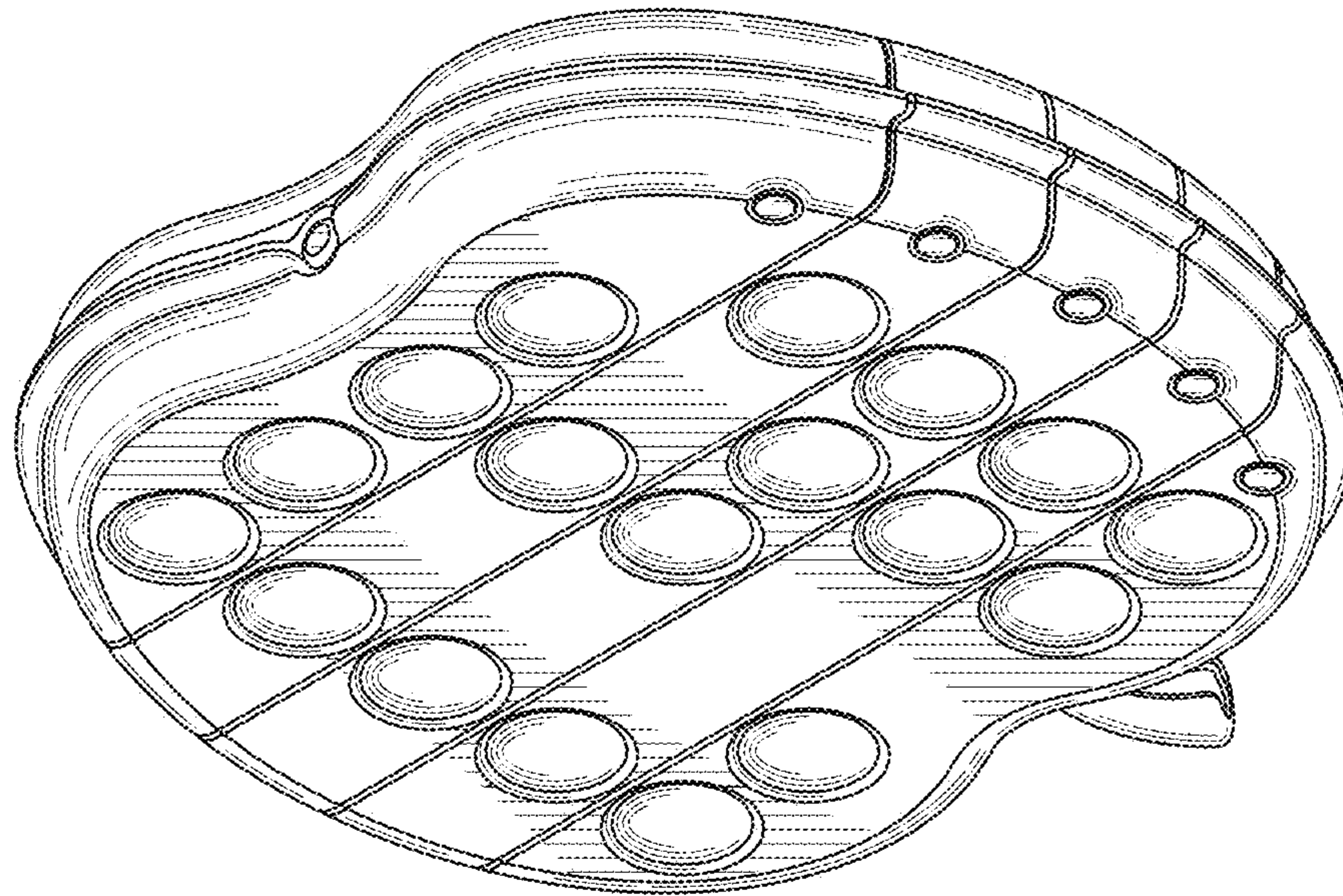


FIG. 16

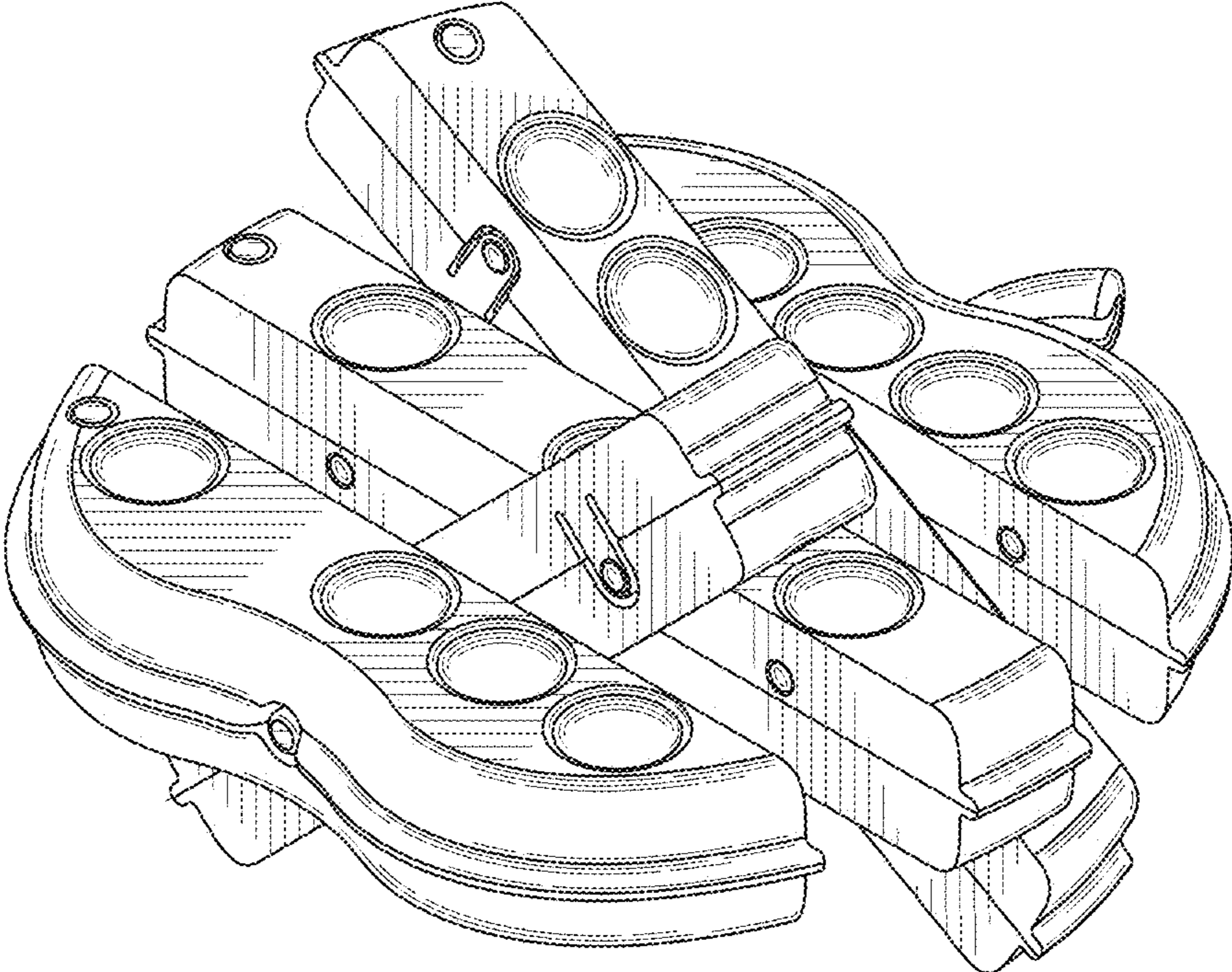


FIG. 17

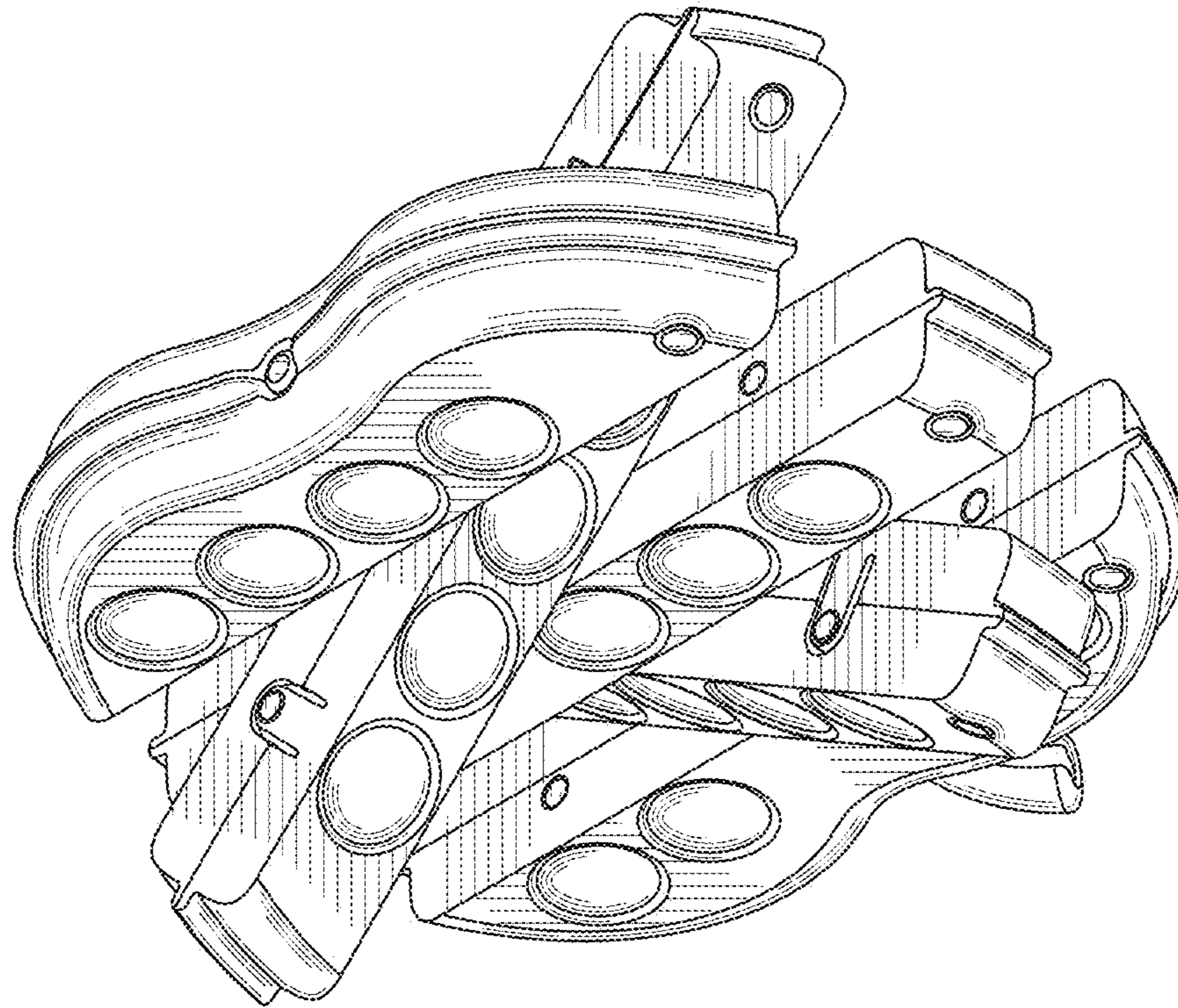


FIG. 18