



US00D960247S

(12) **United States Design Patent** (10) **Patent No.:** **US D960,247 S**
Swogger (45) **Date of Patent:** **** Aug. 9, 2022**

(54) **GALLEON SHIP GAME**

A63F 2003/00217; A63F 2003/0022;
A63F 2003/00223; A63F 2003/00268;
A63F

(71) Applicant: **Electronic Gaming Solutions LLC**,
Southampton Township, NJ (US)

(Continued)

(72) Inventor: **Thomas Swogger**, Southampton
Township, NJ (US)

(56) **References Cited**

(73) Assignee: **Electronic Gaming Solutions LLC**,
Southampton Township, NJ (US)

U.S. PATENT DOCUMENTS

D172,796 S * 8/1954 Kaye et al. D21/336
D187,476 S * 3/1960 Racy D21/336

(Continued)

(**) Term: **15 Years**

OTHER PUBLICATIONS

(21) Appl. No.: **29/687,214**

5 TierWood Galleon Ship, <https://www.etsy.com/listing/657109228/5-tier-wooden-galleon-ship-with-masts-2022> (Year: 2022).*

(22) Filed: **Apr. 11, 2019**

Primary Examiner — Susan Moon Lee

(51) **LOC (13) Cl.** **21-01**

(74) *Attorney, Agent, or Firm* — Kim IP Law Group LLC

(52) **U.S. Cl.**

USPC **D21/336**; D21/350

(58) **Field of Classification Search**

(57) **CLAIM**

The ornamental design for a galleon ship game, as shown and described.

USPC D21/336, 337, 338, 341, 342, 310, 311,
D21/300, 362, 385, 386, 388, 389, 393,
D21/398, 399, 401, 404, 405, 455, 456,
D21/468, 470, 471, 473, 474, 475, 476,
D21/478, 479, 483–488, 506, 507, 510,
D21/589, 789, 790, 796, 811, 812, 821,
D21/826, 830, 360, 350, 542; 273/336,
273/337, 376, 398, 401, 407, 110, 112,
273/113, 1, 18 R, 123 R, 236, 241, 248,
273/249, 280, 289, 290, 153 R–156,
273/153 P, 153 S, 447, 449, 450, 459,
273/142 HA, 271, 242, 281, 282.1–282.3,
273/283–288; 446/69, 71, 75, 76, 81, 85,
446/87, 117, 118, 124, 125, 127, 236,
446/248, 249, 251, 252, 265, 396, 476,
446/486, 487, 489, 491, 901; 434/208,
434/259, 433; D7/610, 558; 108/94,
108/101, 92, 42

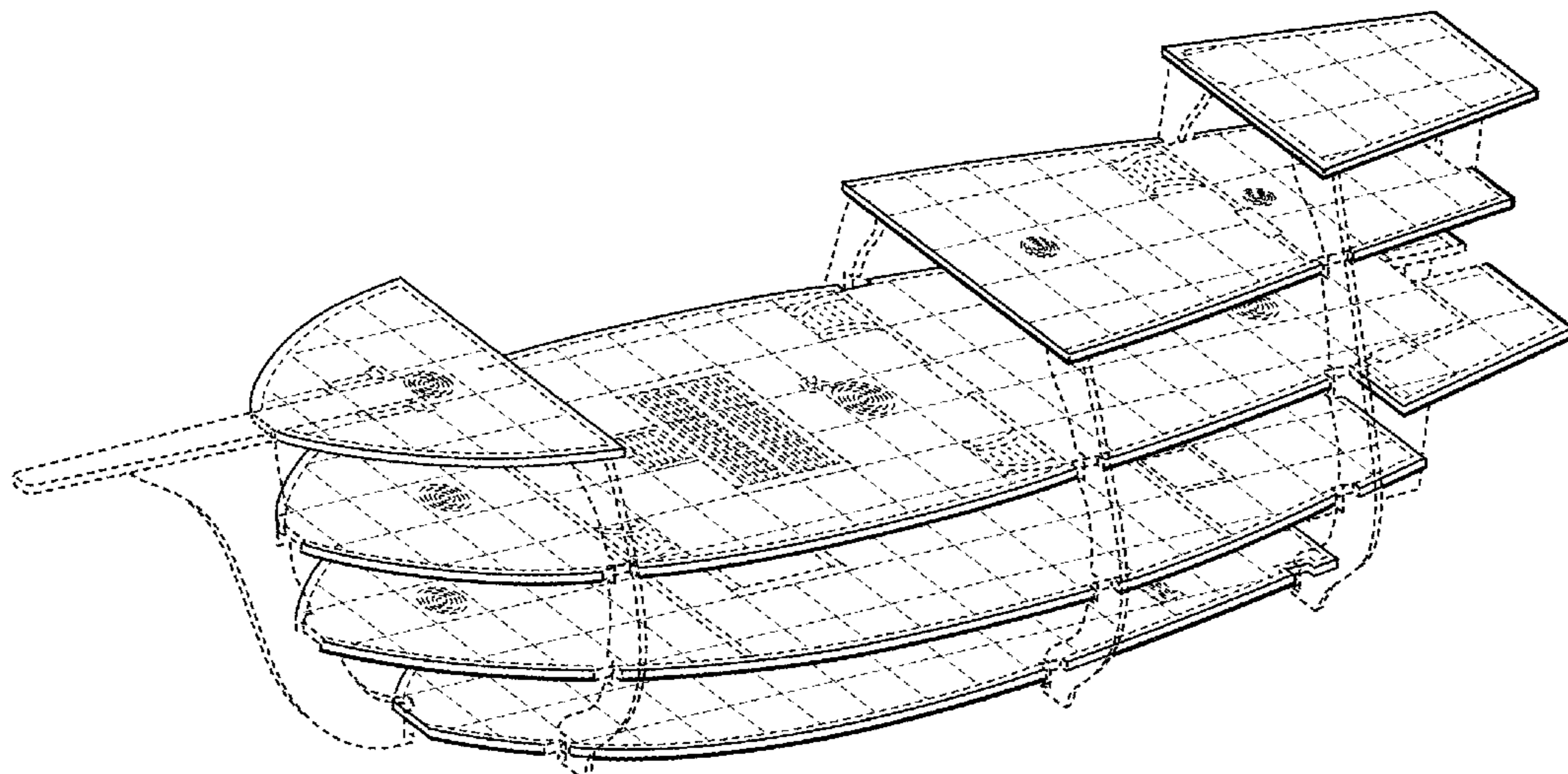
CPC A63F 3/00003; A63F 3/00082; A63F
3/00088; A63F 3/00173; A63F 3/00214;
A63F 3/00261; A63F 3/00529; A63F
3/00533; A63F 3/00574; A63F 3/00634;

DESCRIPTION

FIG. 1 is a perspective view of a galleon ship game in accordance with the new design;
FIG. 2 is a left side view of the galleon ship game of FIG. 1;
FIG. 3 is a right side view of the galleon ship game of FIG. 1;
FIG. 4 is a front side view of the galleon ship game of FIG. 1;
FIG. 5 is a rear side view of the galleon ship game of FIG. 1;
FIG. 6 is a top plan view of the galleon ship game of FIG. 1; and,
FIG. 7 is a bottom plan view of the galleon ship game of FIG. 1.

The broken lines in FIGS. 1-7 illustrate portions of the galleon ship game which form no part of the claimed design.

1 Claim, 5 Drawing Sheets



(58) **Field of Classification Search**

CPC 2003/00277; A63F 2003/0028; A63F
 2003/0035; A63F 2003/004; A63F
 2003/00403; A63F 2003/00406; A63F
 2003/00514; A63F 2003/00599; A63F
 2003/00637; A63F 7/0023; A63F 7/0076;
 A63F 7/02; A63F 7/36; A63F 7/3622;
 A63F 2007/3655; A63F 2007/3659; A63F
 2007/3666; A63F 9/001; A63F 9/0073;
 A63F 9/0613; A63F 9/08; A63F 9/0803;
 A63F 9/0811; A63F 2009/0846; A63F
 2009/0884; A63F 2009/1212; A63F
 2009/1216; A63F 2009/1224; A63F
 2009/1228; A63F 2009/1236; A63F
 2009/1248; A63F 2009/1292; A63F
 2009/1296; A63F 2009/0012; A63F
 2009/002; A63F 2009/0033; A63F
 2009/0035; A63F 2009/0049; A63F
 2009/007; A63F 2009/0073; A63F
 2009/0075; A63F 2009/0815; A63H
 15/06; A63H 33/04; A63H 33/046; A63H
 33/06; A63H 33/065; A63H 33/00; A63B
 43/00; A63B 67/066; A63B 67/06; A63B
 71/0036; A63B 2067/061

See application file for complete search history.

(56)

References Cited

U.S. PATENT DOCUMENTS

D200,109 S * 1/1965 Hirsch D21/336
 D217,975 S * 7/1970 Pruett D21/336
 D219,155 S * 11/1970 Gribbon, Jr. D21/336

3,695,614 A * 10/1972 Brisson A63F 3/00214
 273/241
 D226,669 S * 4/1973 Culver et al. D21/336
 D234,366 S * 2/1975 Zelenko D21/336
 3,884,474 A * 5/1975 Harper A63F 3/00094
 273/241
 D242,271 S * 11/1976 Harvey D21/336
 D255,910 S * 7/1980 Bergman D21/336
 D263,245 S * 3/1982 Bonser D21/336
 D308,549 S * 6/1990 Gengler D21/336
 5,083,791 A * 1/1992 Coombes, Jr. A63F 3/00214
 273/237
 5,085,440 A * 2/1992 Van Dam A63F 3/00214
 D21/336
 D329,476 S * 9/1992 Strickland D21/542
 5,195,750 A * 3/1993 Courialis A63F 3/00214
 273/285
 5,249,805 A * 10/1993 Neil A63F 3/00094
 D21/336
 D348,908 S * 7/1994 Seiler D21/336
 D349,304 S * 8/1994 Marsolais D21/336
 D355,447 S * 2/1995 Crump D21/336
 5,409,234 A * 4/1995 Bechter A63F 3/00214
 273/271
 5,443,268 A * 8/1995 Mayfield A63F 3/00075
 273/262
 D365,123 S * 12/1995 Hall, III D21/336
 5,678,819 A * 10/1997 Underwood A63F 3/00214
 273/241
 D387,390 S * 12/1997 Seiler D21/336
 5,860,383 A * 1/1999 Whitener B63B 1/242
 114/274
 D544,927 S * 6/2007 Sanger, II D21/542
 D719,221 S * 12/2014 Kasahara D21/542
 D835,200 S * 12/2018 Shelton D21/336

* cited by examiner

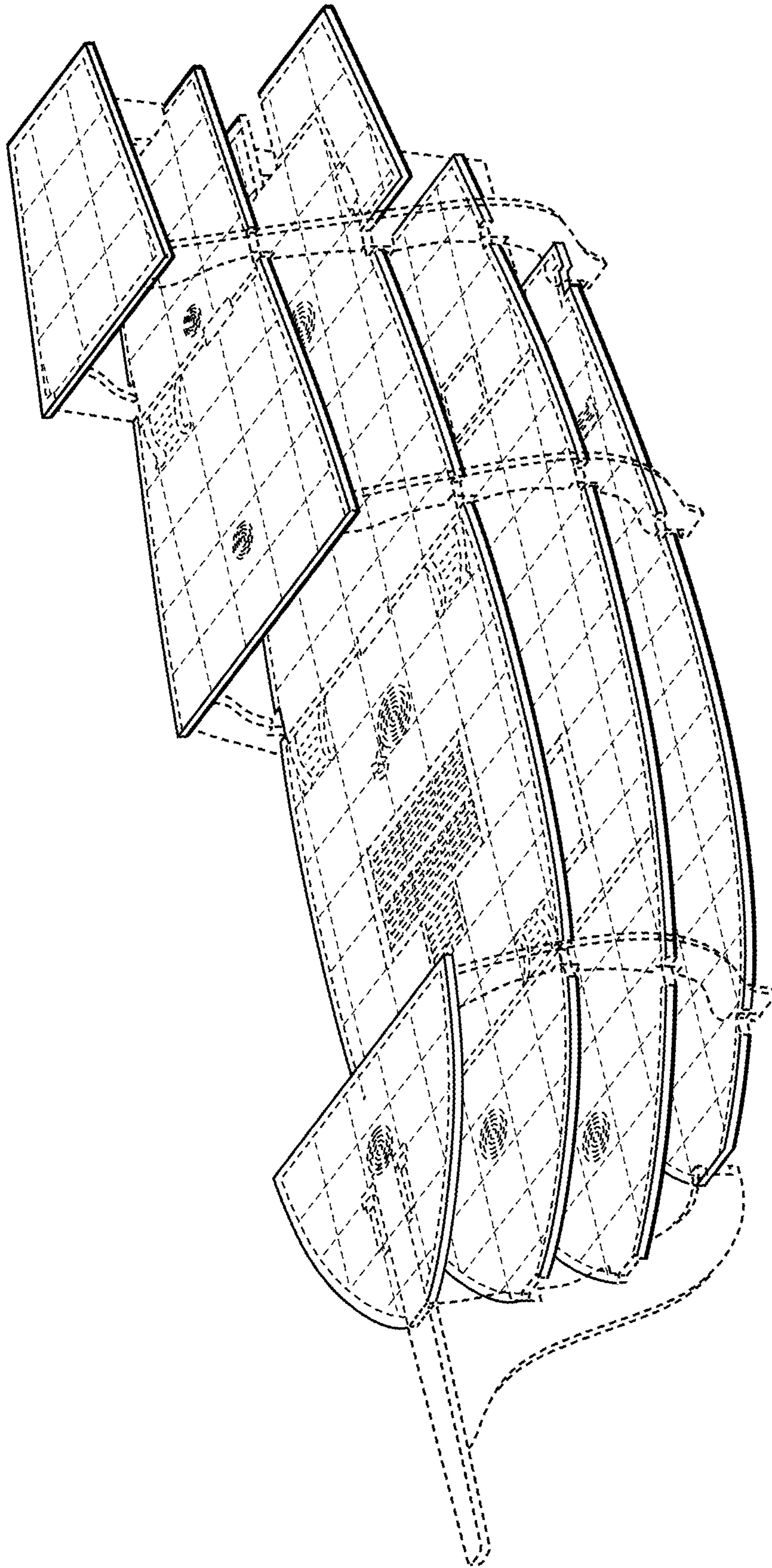


FIG. 1

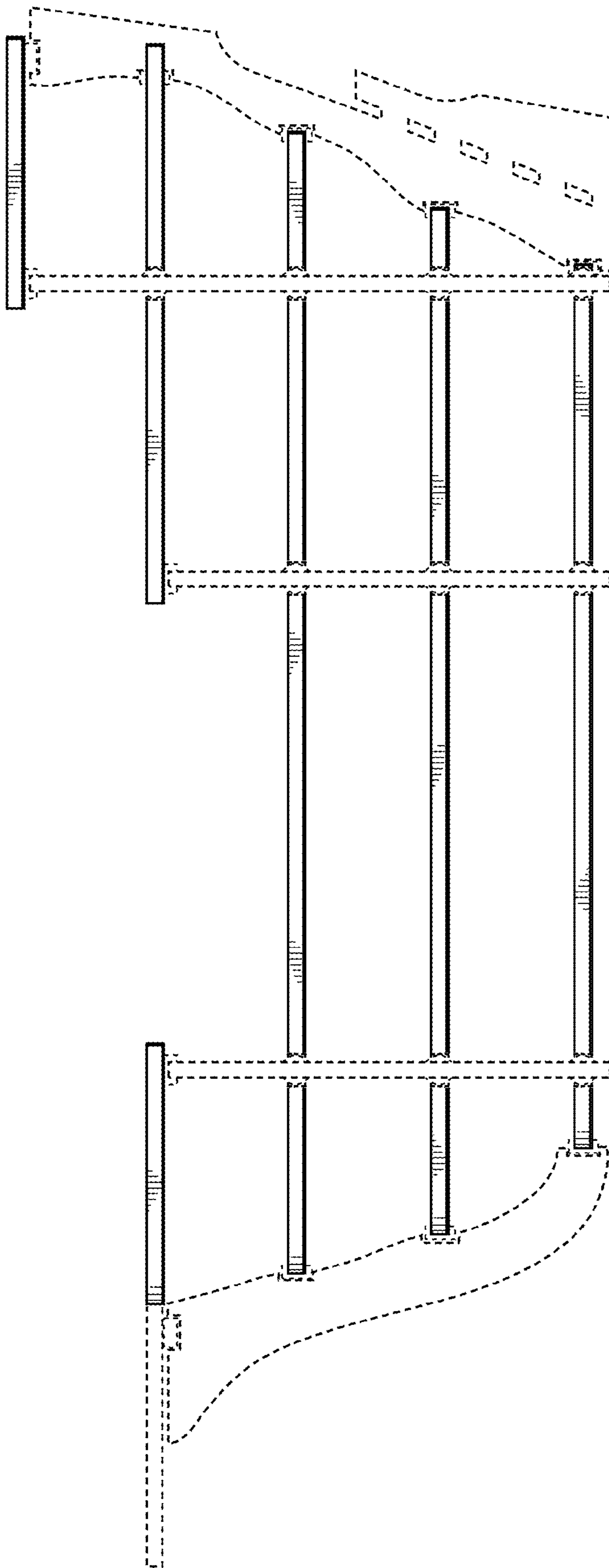


FIG.2

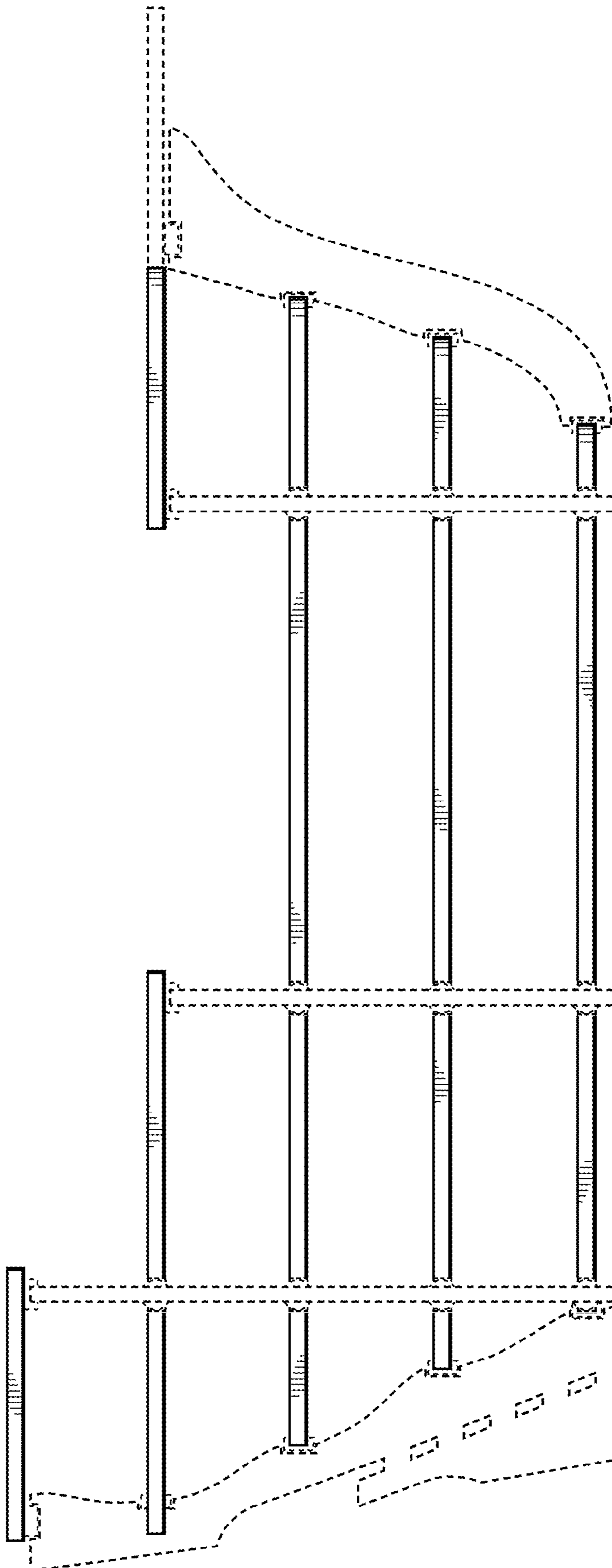


FIG. 3

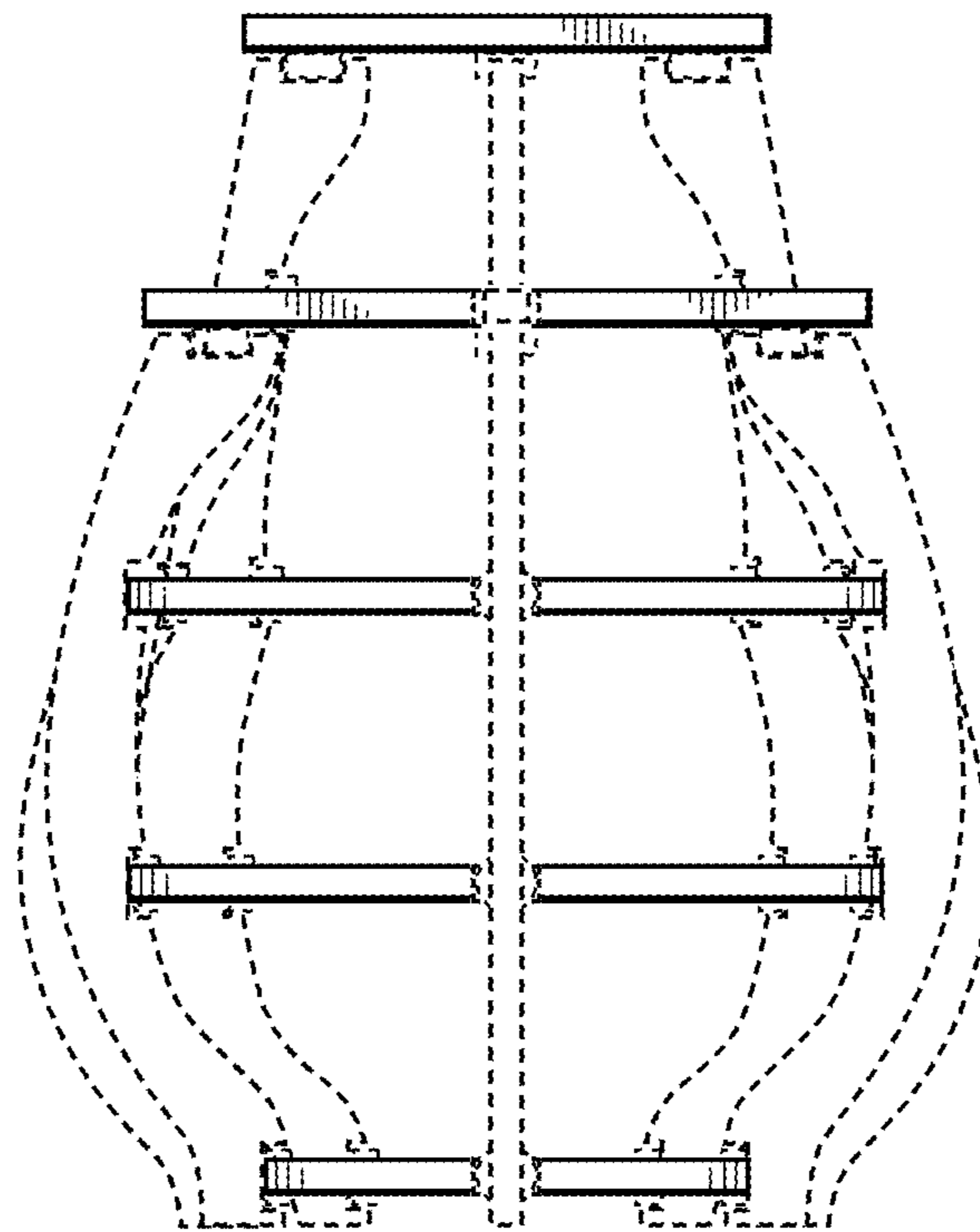


FIG. 4

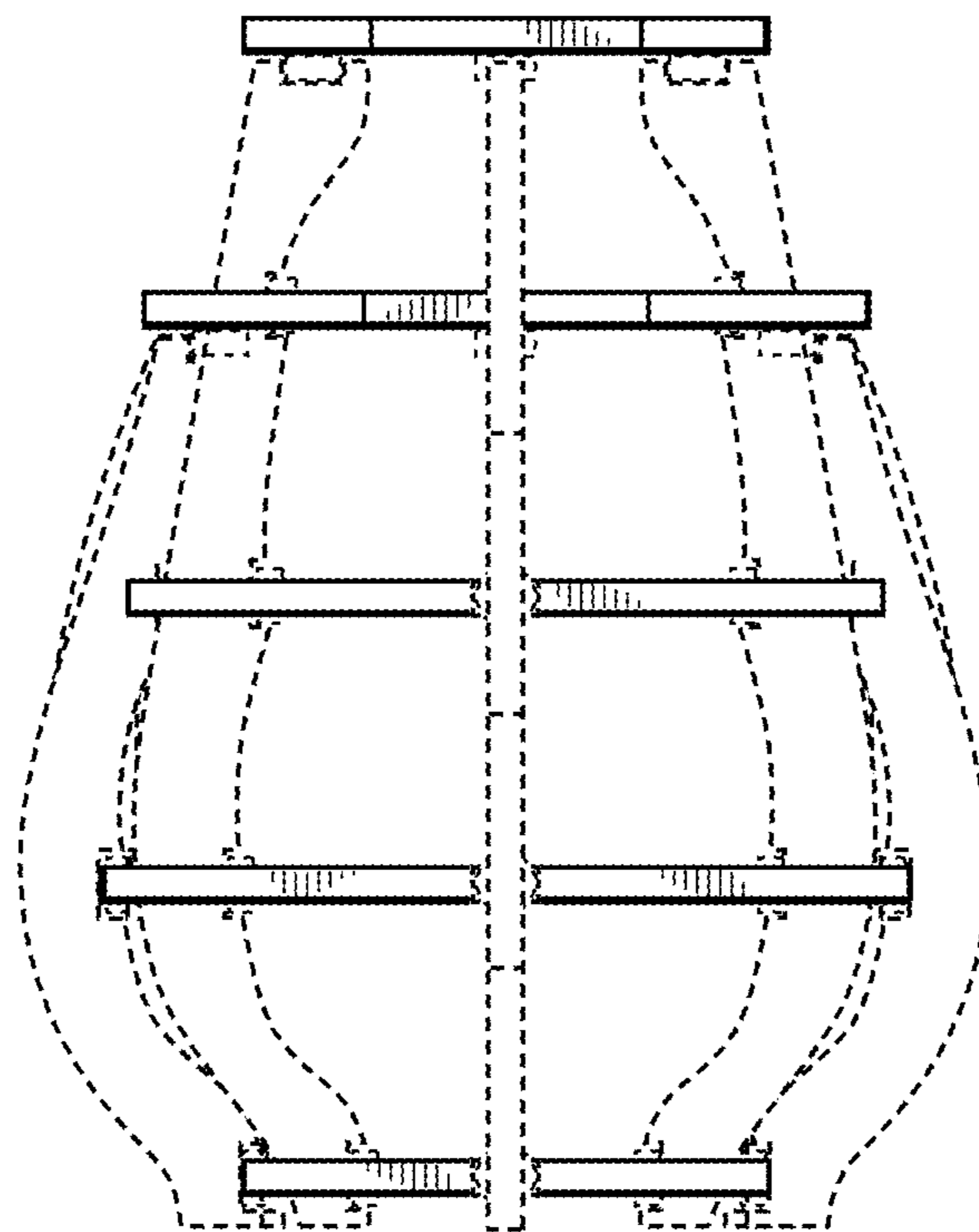


FIG. 5

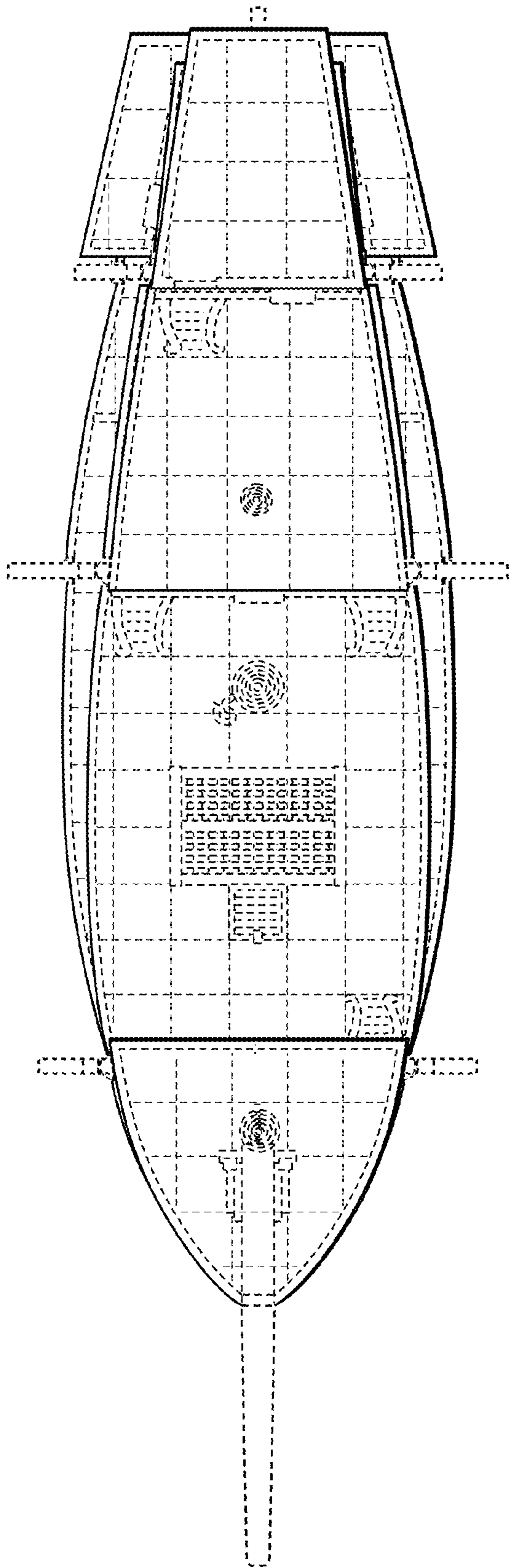


FIG. 6

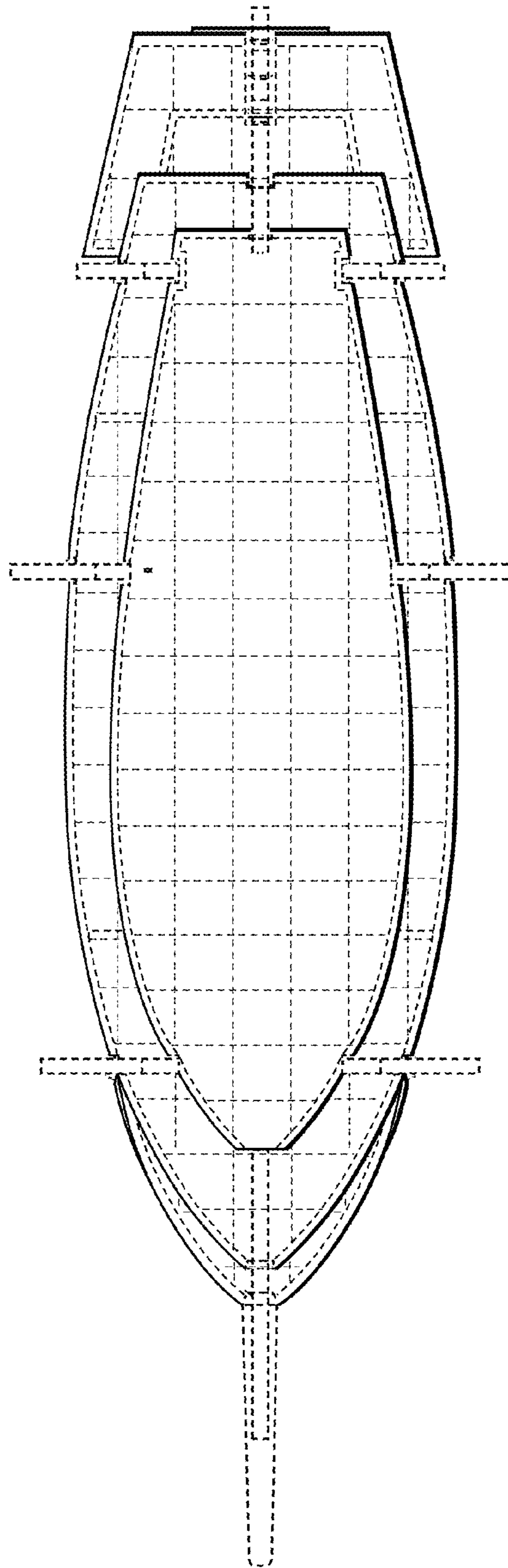


FIG. 7