

US00D960245S

(12) **United States Design Patent**  
**Jackermeier**

(10) **Patent No.:** **US D960,245 S**

(45) **Date of Patent:** **\*\* Aug. 9, 2022**

(54) **STEERING WHEEL FOR ELECTRONIC GAMES**

6,976,677 B1 \* 12/2005 McVicar ..... A63F 13/02  
463/47

(71) Applicant: **Endor AG**, Landshut (DE)

D522,516 S \* 6/2006 Hussaini ..... D14/416

D553,622 S \* 10/2007 Petrotta ..... D21/324

D644,580 S \* 9/2011 Markowitz ..... D12/176

(72) Inventor: **Thomas Jackermeier**, Landshut (DE)

**OTHER PUBLICATIONS**

(\*\*) Term: **15 Years**

Andrew Evans, Gran Turismo-Branded Fanatec Direct Drive Wheel Appears on Social Media, published Jul. 12, 2021 at gtplanet.net. Retrieved from the internet on Apr. 20, 2022 <URL: https://www.gtplanet.net/fanatec-ps5-dd-gt7-20210712/> (Year: 2021).\*

(21) Appl. No.: **35/511,754**

(22) Filed: **Apr. 15, 2021**

\* cited by examiner

(80) **Hague Agreement Data**

Int. Filing Date: **Apr. 15, 2021**

Int. Reg. No.: **DM/213782**

Int. Reg. Date: **Apr. 15, 2021**

Int. Reg. Pub. Date: **Apr. 30, 2021**

*Primary Examiner* — Joseph Kukella

(51) **LOC (13) Cl.** ..... **21-01**

(57) **CLAIM**

The ornamental design for a steering wheel for electronic games, as shown and described.

(52) **U.S. Cl.**

USPC ..... **D21/333**

(58) **Field of Classification Search**

USPC ..... D12/175–177; D14/388, 389, 390, 412,  
D14/413–417, 454, 455; D21/324, 333

CPC ..... A63F 13/20; A63F 13/24; A63F 13/245;  
A63F 13/98

See application file for complete search history.

**DESCRIPTION**

The patent or application file contains at least one drawing executed in color. Copies of this patent or patent application publication with color drawing(s) will be provided by the Office upon request and payment of the necessary fee.

1. Steering wheel for electronic games

1.1 : Left

1.2 : Top

1.3 : Right

1.4 : Bottom

1.5 : Perspective

1.6 : Back

1.7 : Front

(56) **References Cited**

**U.S. PATENT DOCUMENTS**

D298,526 S \* 11/1988 Green ..... D12/175

D424,488 S \* 5/2000 Thorpe ..... D12/176

D451,557 S \* 12/2001 Yu ..... D21/333

D463,336 S \* 9/2002 Prather ..... D12/176

D479,168 S \* 9/2003 Faust ..... A63F 13/02  
D12/176

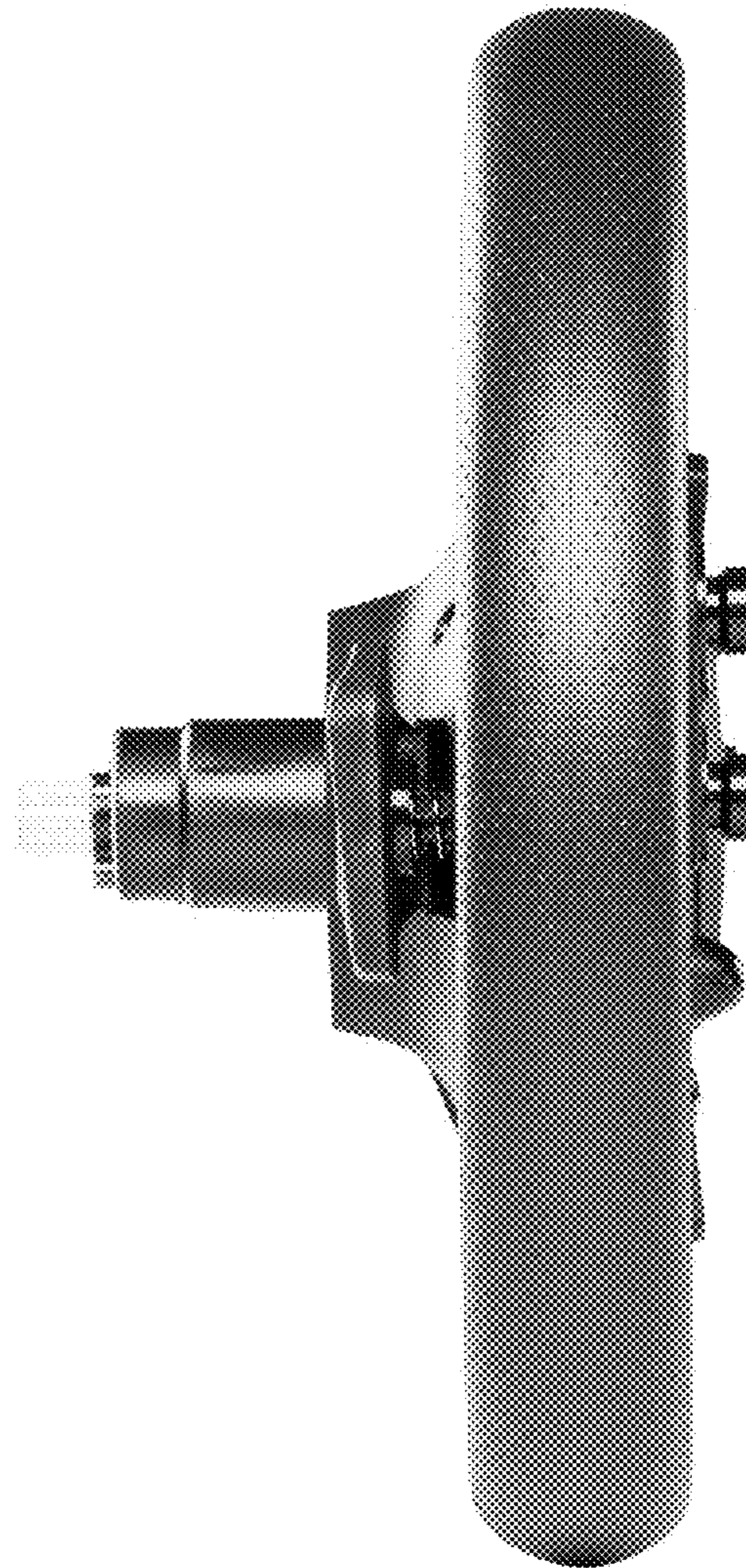
D497,365 S \* 10/2004 Hussaini ..... D14/416

**1 Claim, 7 Drawing Sheets**

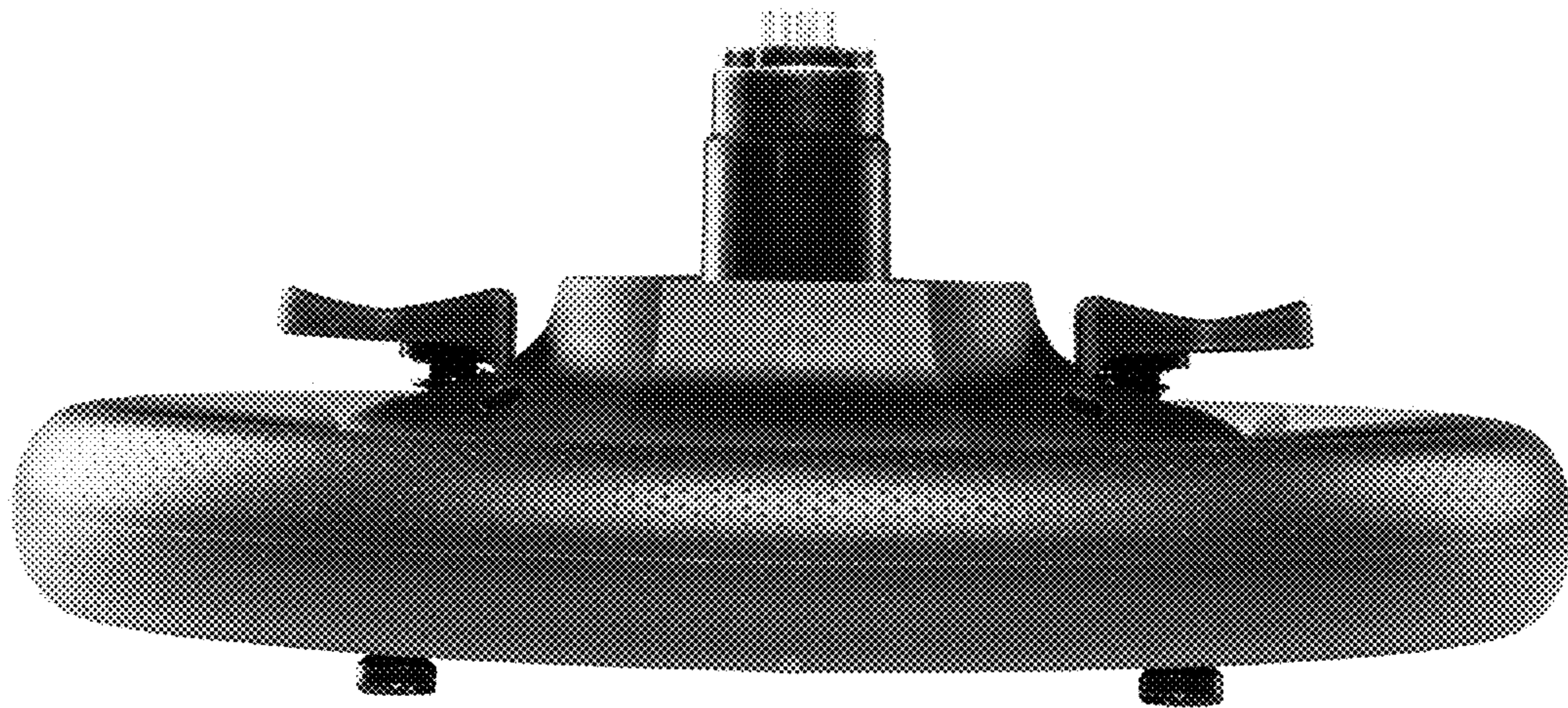
**(7 of 7 Drawing Sheet(s) Filed in Color)**



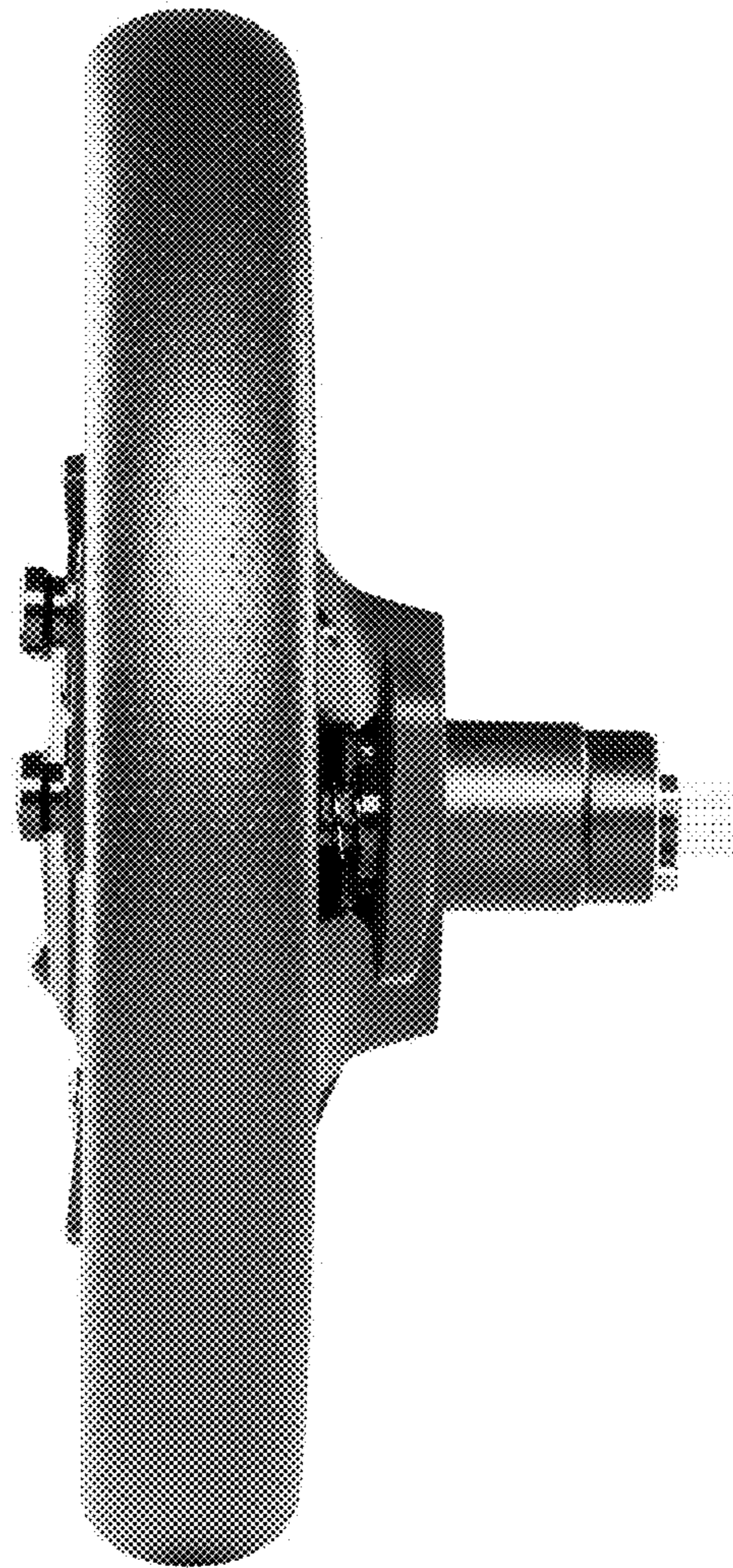
1.1



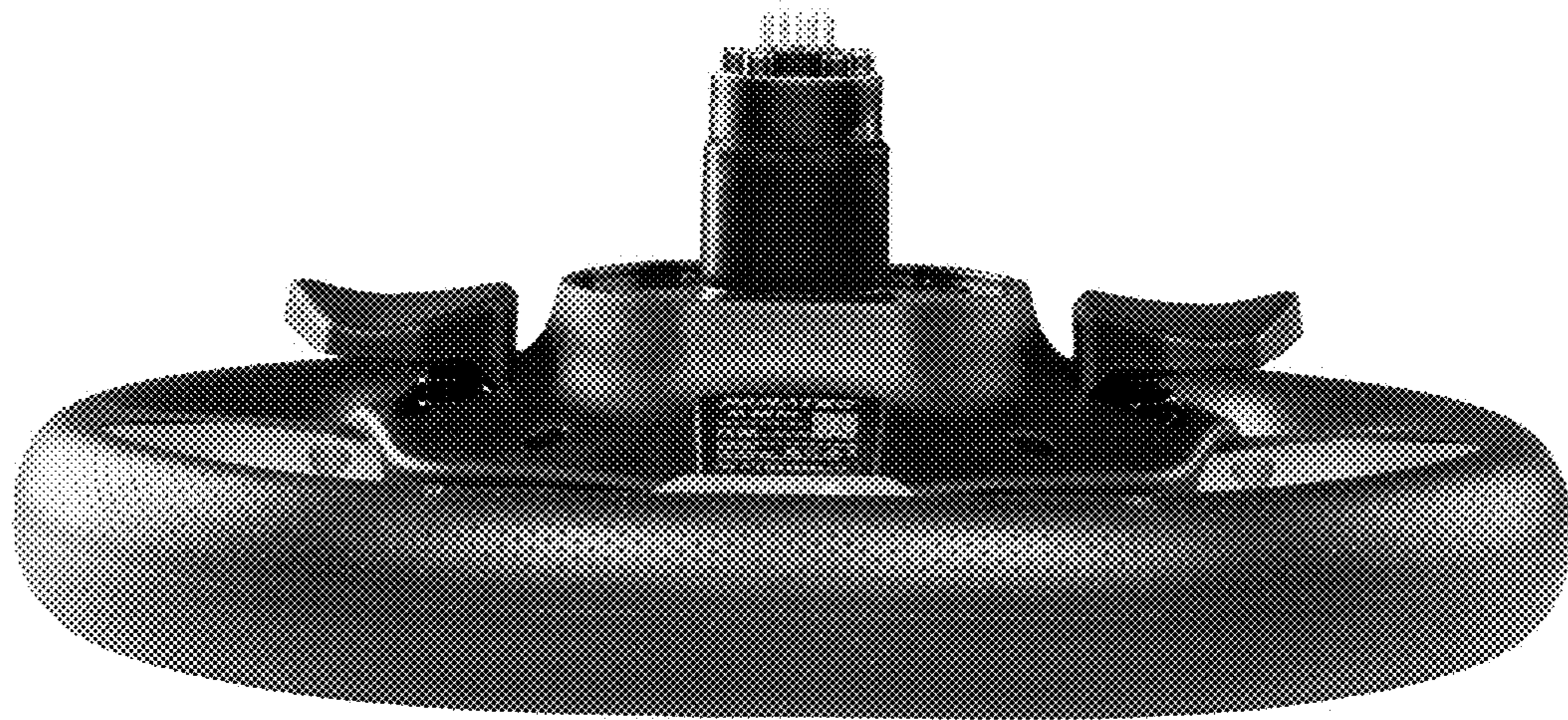
1.2



1.3



1.4



1.5



1.6



1.7

