



US00D960244S

(12) **United States Design Patent** (10) **Patent No.:** **US D960,244 S**
Conlee, IV et al. (45) **Date of Patent:** **** Aug. 9, 2022**

- (54) **GAME CONTROLLER**
- (71) Applicant: **Valve Corporation**, Bellevue, WA (US)
- (72) Inventors: **Carl Samuel Conlee, IV**, Seattle, WA (US); **Philip Bryan**, Bellevue, WA (US); **Claire Gottschalk**, Bellevue, WA (US); **Jeremy Slocum**, Sammamish, WA (US)
- (73) Assignee: **Valve Corporation**, Bellevue, WA (US)
- (**) Term: **15 Years**
- (21) Appl. No.: **29/764,718**
- (22) Filed: **Dec. 31, 2020**

Related U.S. Application Data

- (62) Division of application No. 29/648,235, filed on May 18, 2018, now Pat. No. Des. 908,798.
- (51) **LOC (13) Cl.** **21-01**
- (52) **U.S. Cl.**
USPC **D21/333**
- (58) **Field of Classification Search**
USPC D21/324, 328, 329, 330, 331, 333, 341, D21/342, 349, 386; D14/203.5, 218, 250, D14/299, 322, 341, 345, 346, 353, 354, D14/374, 375, 376, 401, 421, 432, 440, D14/443, 463, 493; D22/100, 103-105; D13/162, 162.1, 168; D10/78, 98, 103
CPC A45C 13/00; A45C 13/001; A45C 13/002; A63F 13/10; A63F 13/98; A63F 13/24; A63F 9/0291
See application file for complete search history.

References Cited

U.S. PATENT DOCUMENTS

- 6,570,078 B2 5/2003 Ludwig
- D567,243 S 4/2008 Ashida et al.

- 8,754,746 B2 6/2014 Lukas et al.
 - 8,795,078 B1 8/2014 Musick, Jr. et al.
 - D772,986 S 11/2016 Chen et al.
 - D780,807 S 3/2017 Chen et al.
 - 9,678,566 B2* 6/2017 Webb A63F 13/2145
 - D795,959 S 8/2017 Chen et al.
 - D800,841 S 10/2017 Chen et al.
 - D802,055 S 11/2017 Chen et al.
 - D804,579 S 12/2017 Britt et al.
- (Continued)

OTHER PUBLICATIONS

SlagCoin Instruction Manual for a Joystick Controller “SlagCoin Appendix—Joystick Controller” last updated Feb. 25, 2009 www.slagcoin.com/joystick.html 52 pages.

(Continued)

Primary Examiner — Mehri F Bajoul

(74) *Attorney, Agent, or Firm* — Lee & Hayes, P.C.

(57) **CLAIM**

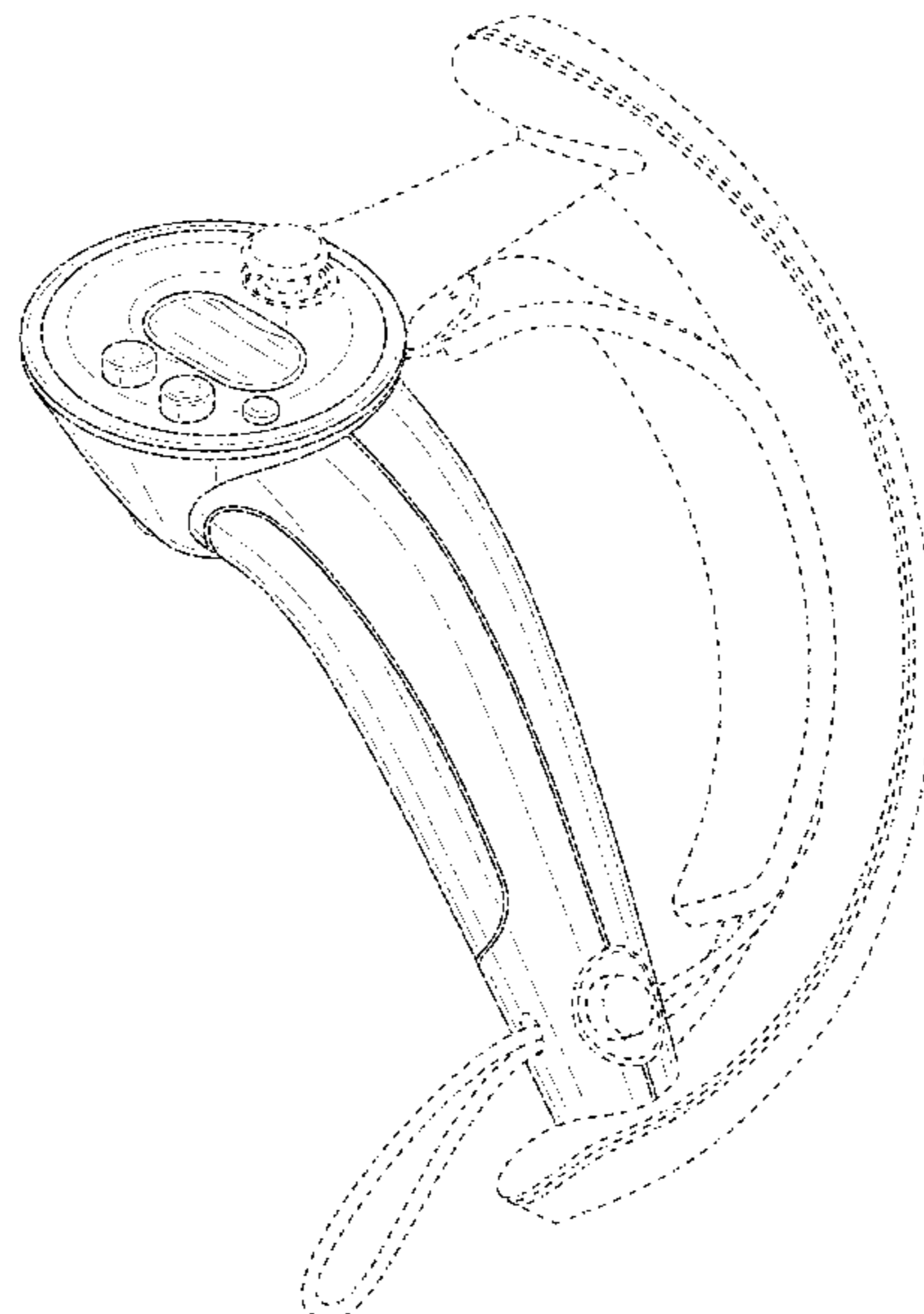
The ornamental design for a game controller, as shown and described.

DESCRIPTION

FIG. 1 is a back perspective view of a game controller; FIG. 2 is a front perspective view thereof; FIG. 3 is a front view thereof; FIG. 4 is a back view thereof; FIG. 5 is a left-side view thereof; FIG. 6 is a right-side view thereof; FIG. 7 is a top view thereof; and, FIG. 8 is a bottom view thereof. FIGS. 1-8 illustrate a right-hand game controller; it is understood that the views of a left-hand game controller are mirror images of the views shown in the FIGS. 1-8.

The broken lines depict portions of the game controller that form no part of the claimed design.

1 Claim, 8 Drawing Sheets



(56)

References Cited

U.S. PATENT DOCUMENTS

D804,580 S 12/2017 Britt et al.
 D806,173 S 12/2017 Britt et al.
 D812,693 S 3/2018 Chen et al.
 D813,203 S 3/2018 Hardi
 D815,209 S 4/2018 Chen et al.
 D815,697 S 4/2018 Chen et al.
 9,950,256 B2 4/2018 Lim
 D827,034 S 8/2018 Chen et al.
 D835,104 S 12/2018 Chen et al.
 D840,360 S 2/2019 Scott
 D844,608 S 4/2019 Chen et al.
 D844,609 S 4/2019 Bristol et al.
 D849,743 S 5/2019 Chen et al.
 D851,086 S 6/2019 Chen et al.
 D864,301 S 10/2019 Wei et al.
 10,427,035 B2 10/2019 Schmitz et al.
 10,441,881 B2 10/2019 Burgess et al.
 D866,554 S 11/2019 Lo et al.
 D904,519 S * 12/2020 Adams D21/333
 D905,164 S * 12/2020 Adams D21/333
 D905,165 S * 12/2020 Adams D21/333
 D905,166 S * 12/2020 Adams D21/333
 D905,167 S * 12/2020 Adams D21/333
 D908,798 S * 1/2021 Conlee, IV D21/333
 D923,097 S * 6/2021 Zhao D21/333
 D923,098 S * 6/2021 Zhao D21/333
 11,042,247 B2 * 6/2021 Nietfeld G06F 3/044
 D924,977 S * 7/2021 Saito D21/333
 D926,887 S * 8/2021 Yang D21/333

D928,235 S * 8/2021 Paterson D21/333
 11,167,213 B2 * 11/2021 Mucha A63F 13/24
 2006/0111180 A1 5/2006 Cheng
 2006/0287089 A1 12/2006 Addington et al.
 2008/0261695 A1 10/2008 Coe
 2009/0205878 A1 8/2009 Taylor
 2016/0361637 A1 12/2016 Higgins et al.
 2016/0363996 A1 12/2016 Higgins et al.
 2017/0128828 A1 5/2017 Long
 2017/0131767 A1 5/2017 Long
 2017/0189799 A1 7/2017 Anderson et al.
 2017/0189800 A1 7/2017 Crain
 2017/0192506 A1 7/2017 Andersen et al.
 2018/0099219 A1 4/2018 Hope et al.
 2019/0325651 A1 10/2019 Bradner et al.

OTHER PUBLICATIONS

WICO Corporation Consumer Division Manual for “WICO Command Control” Trackball controller, 1982, 6 pages.
 Amazon, “VRGE Index Controller Dock” retrieved on Mar. 8, 2020 from <<https://www.amazon.com/VRGE-Controller-Premium-Storage-Controllers/product-reviews/B08239qs3h/REF=CM_CR_GETR_D_PAGING_BTM_NEXT_2?ie=UTF8&reviewerType=all_reviews&sortBy=recent&pageNumber=2>> Dec. 31, 2019, 1 page.
 Non Final Office Action dated Mar. 13, 2020 for U.S. Appl. No. 29/648,235 “Controller”, Conlee, 8 pages.
 RoadToVr, “Valve Index Revive”, retrieved on Mar. 8, 2020, <<<https://www.roadtovr.com/valve-index-revive-oculus-rift-exclusive-games-content/>>>, Jun. 26, 2016, 4 pages.

* cited by examiner

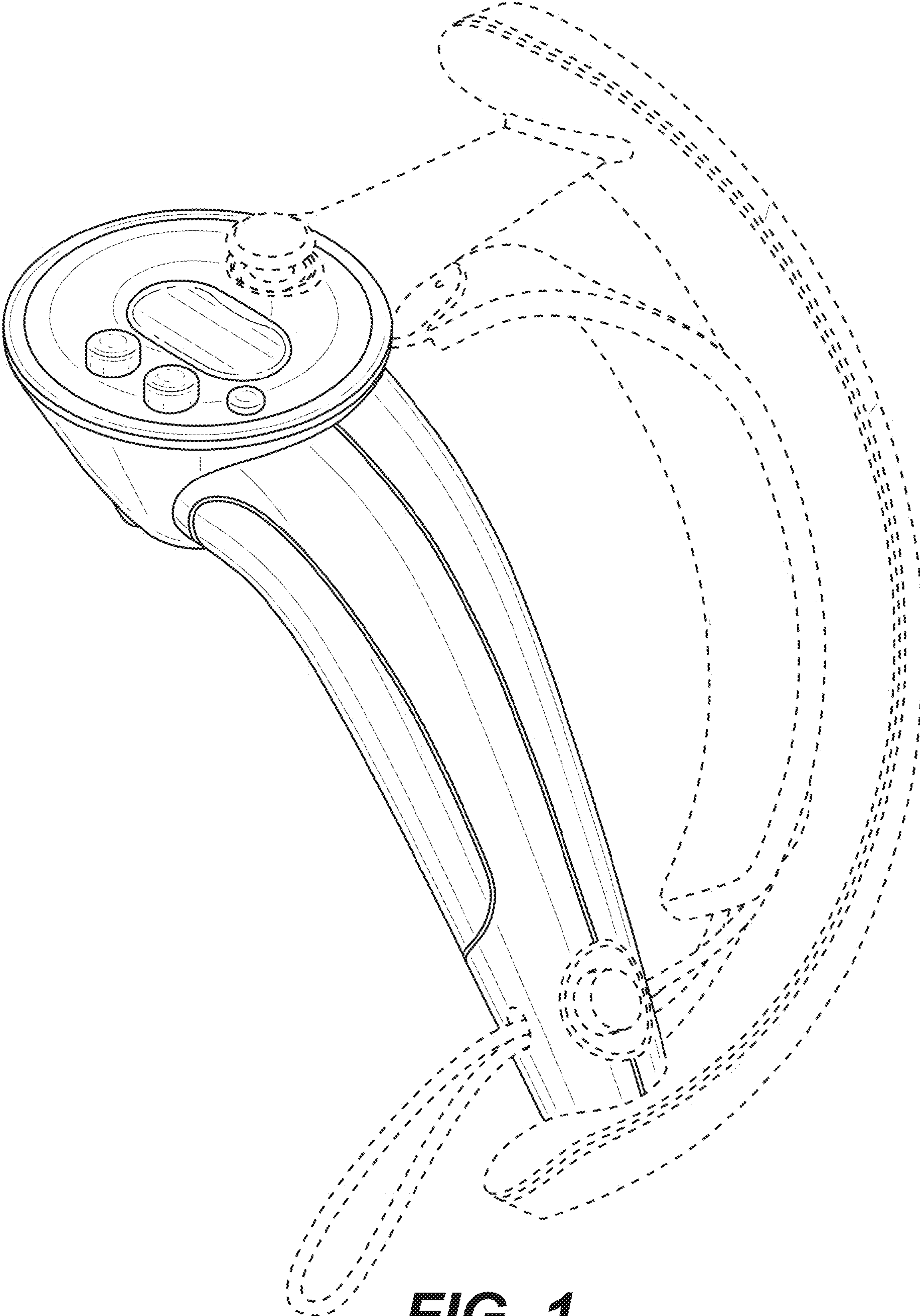


FIG. 1

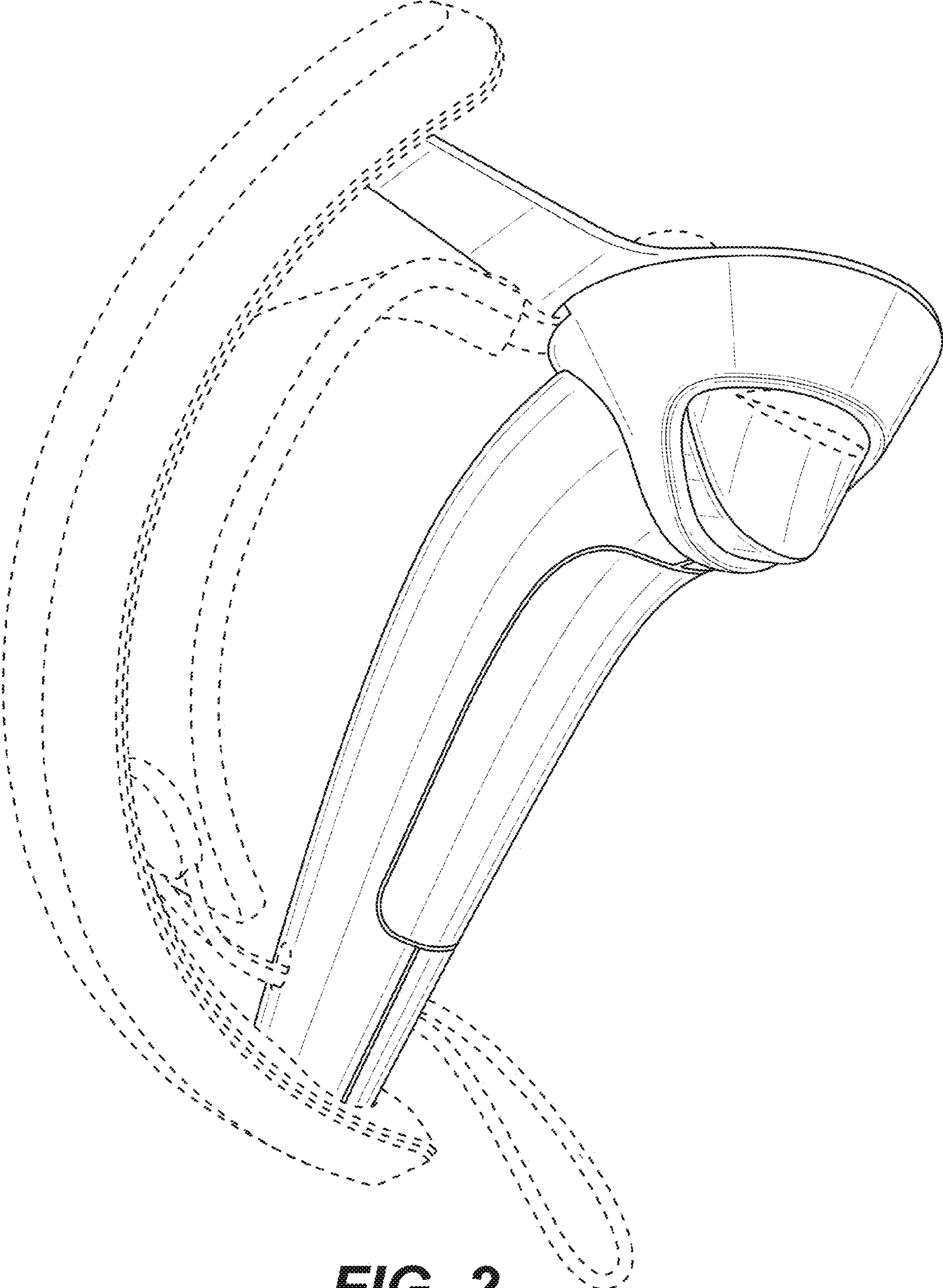


FIG. 2

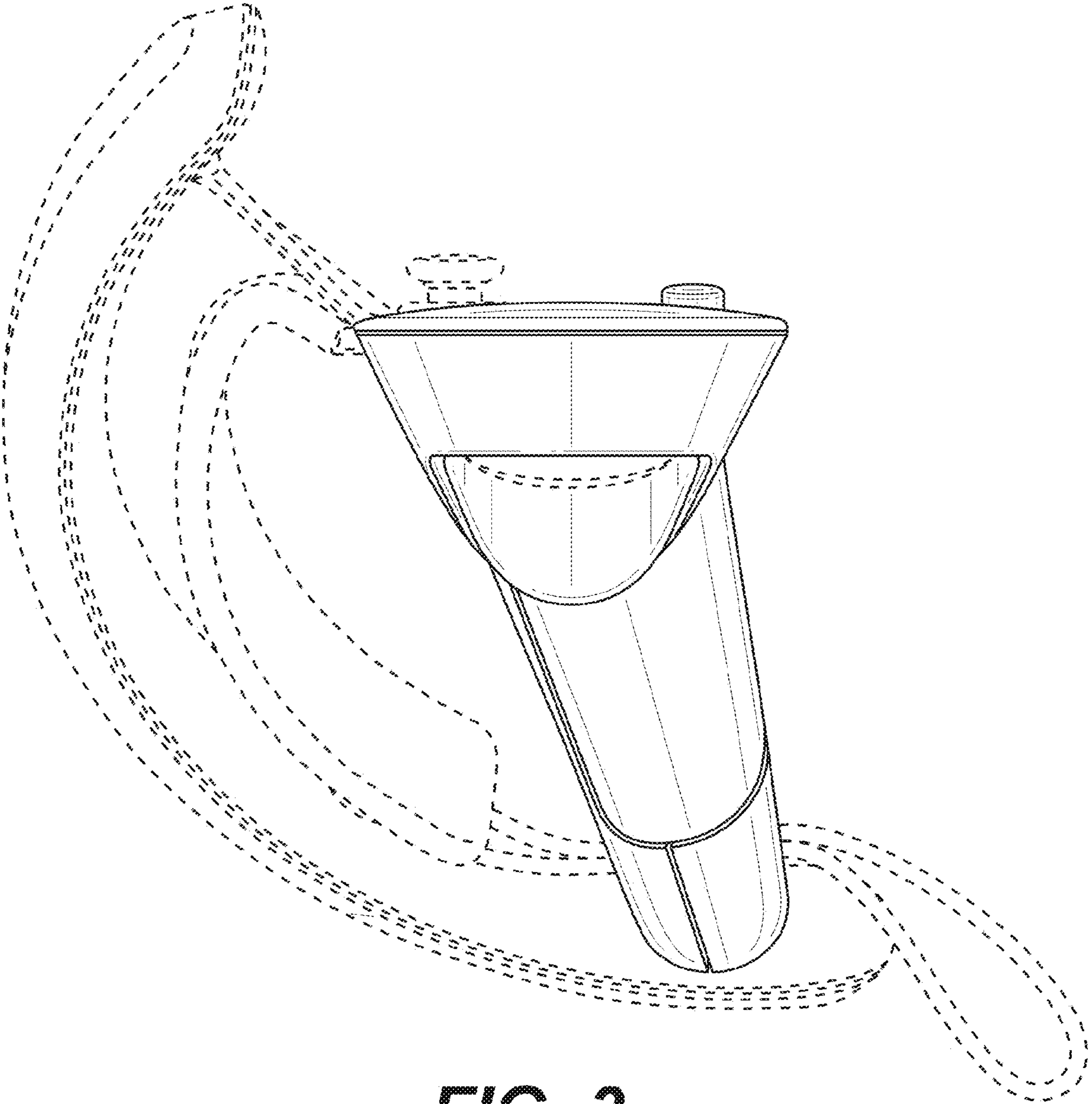


FIG. 3

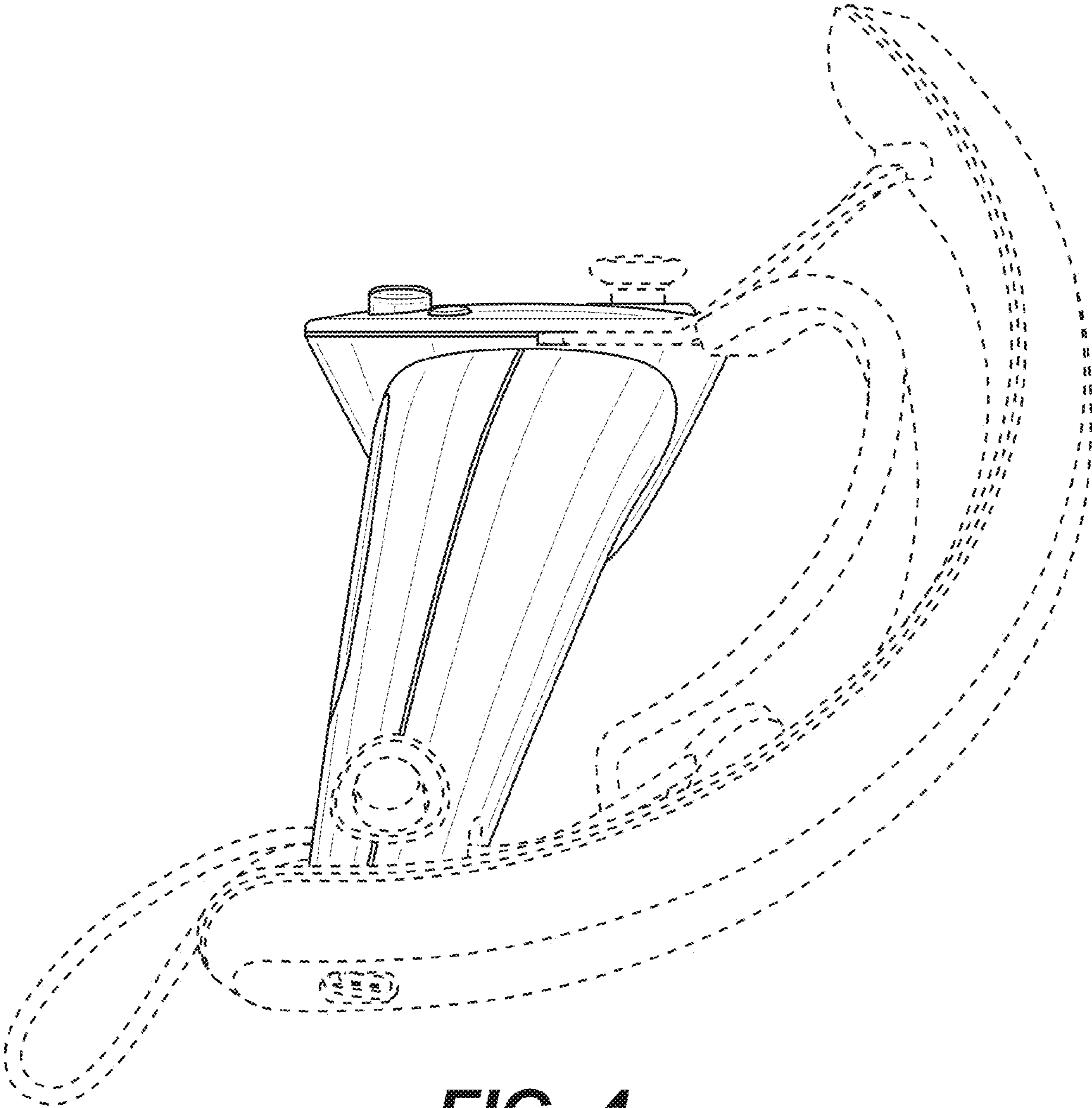


FIG. 4

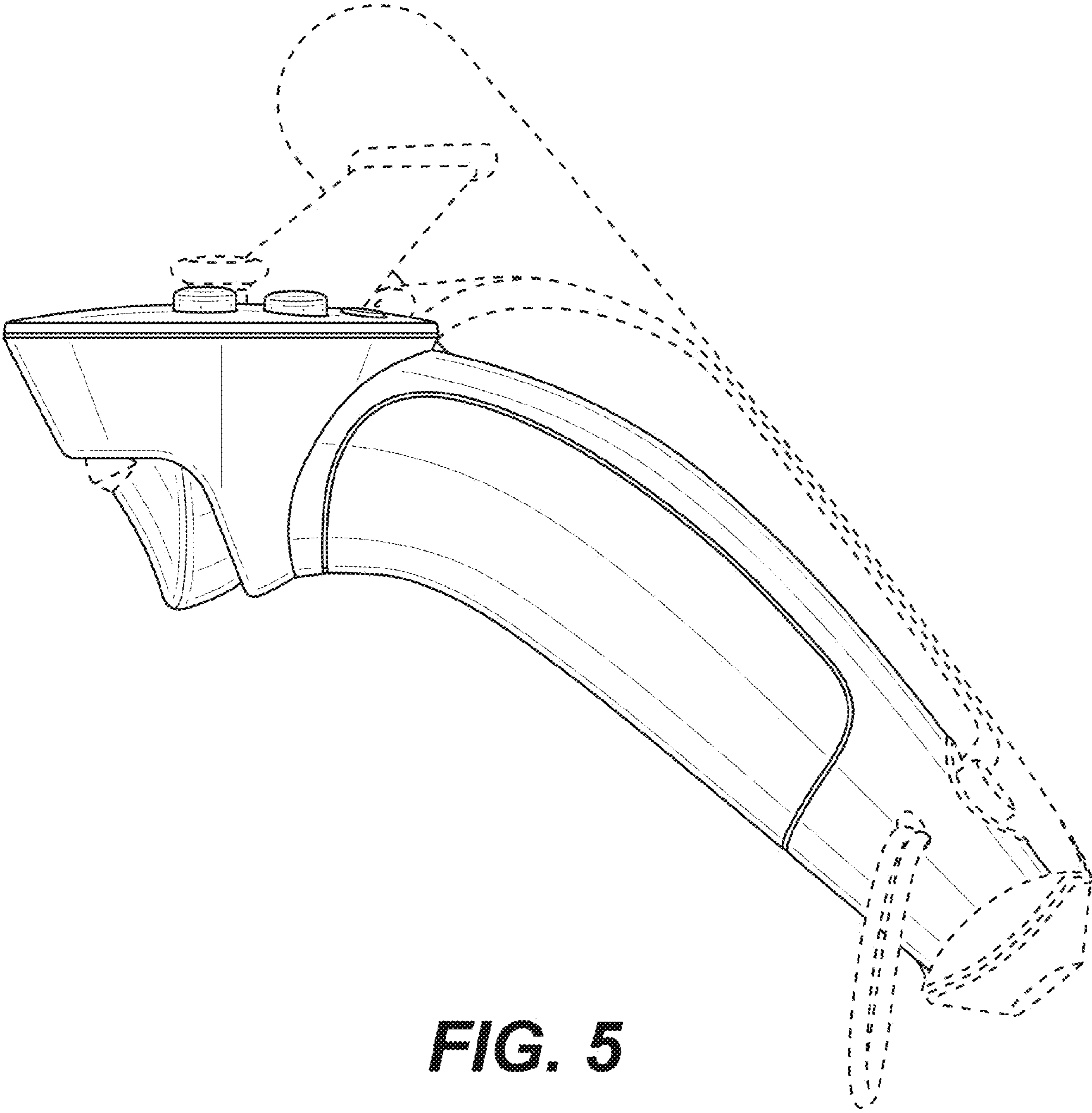


FIG. 5

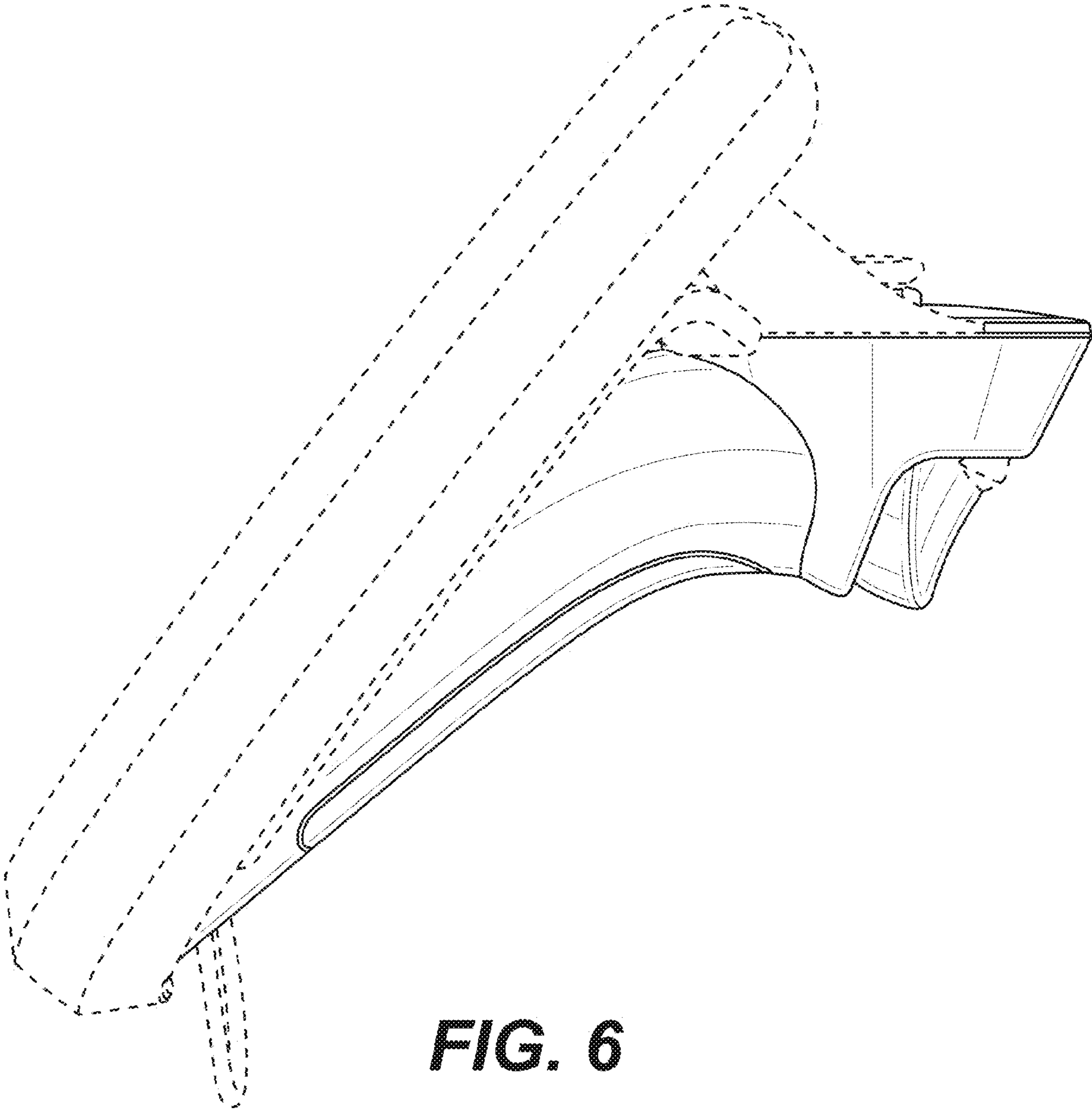


FIG. 6

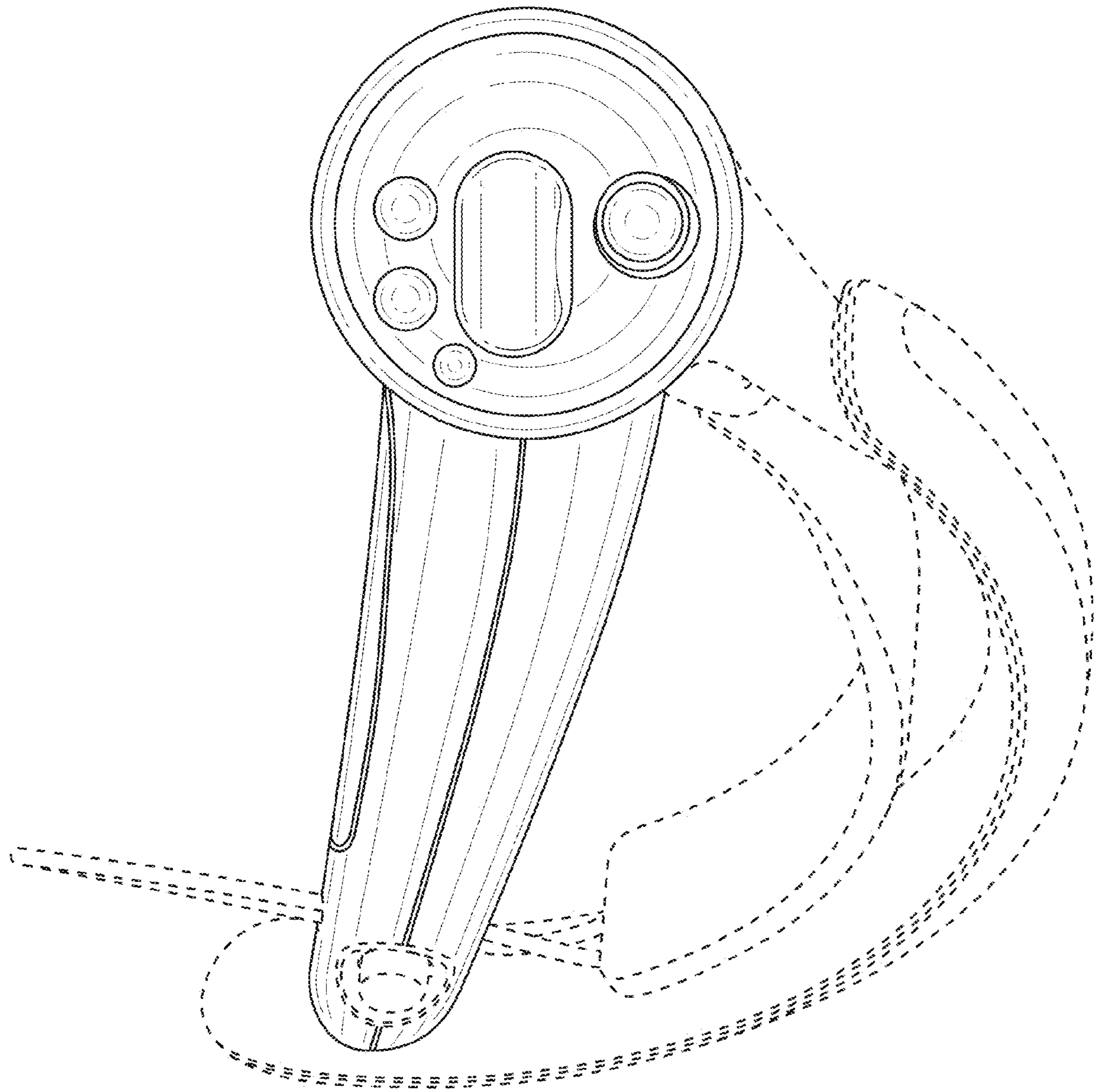


FIG. 7

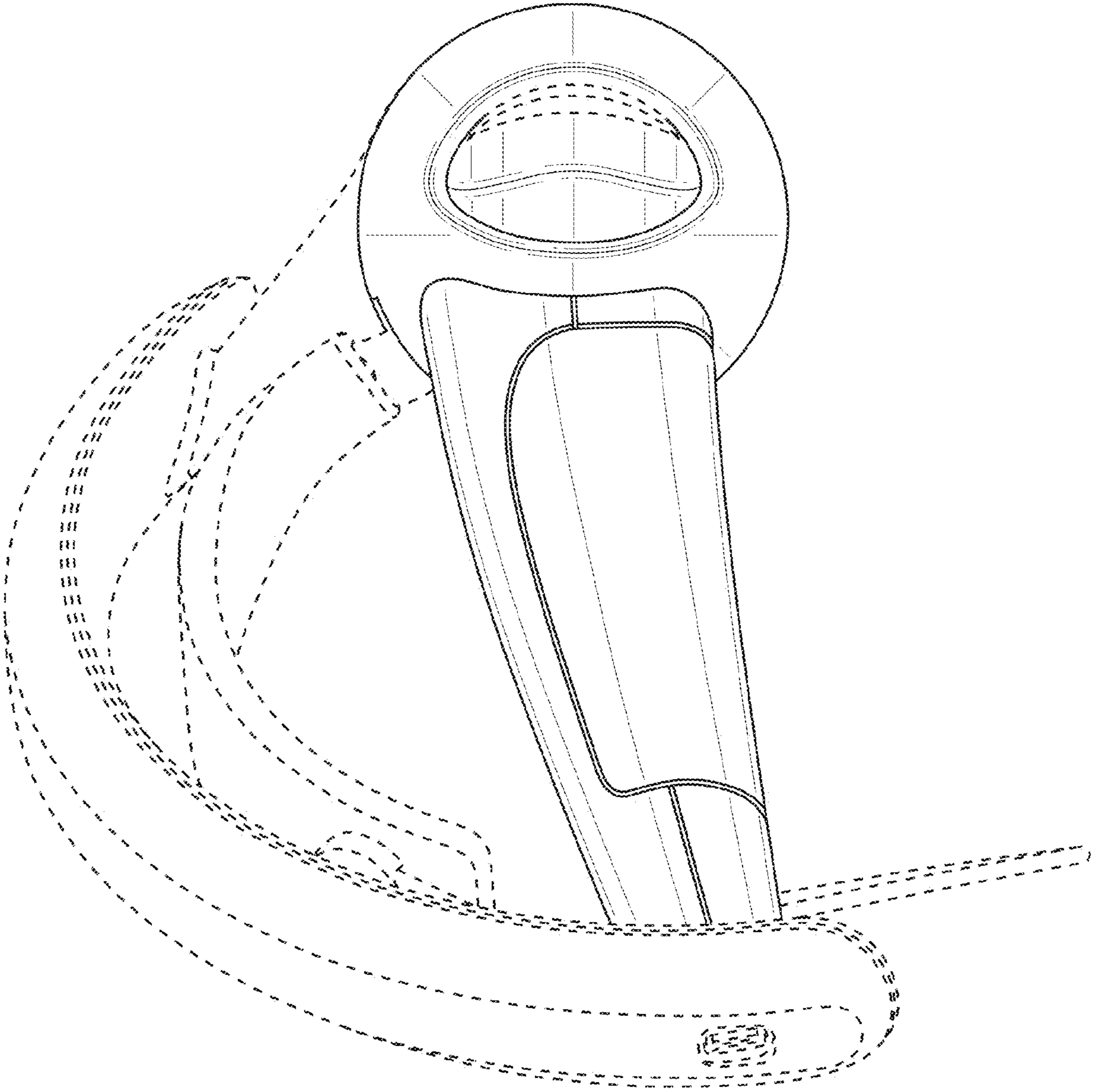


FIG. 8