



US00D960242S

(12) **United States Design Patent**
Engler et al.

(10) **Patent No.:** **US D960,242 S**

(45) **Date of Patent:** **** Aug. 9, 2022**

(54) **GAME TARGET**

(71) Applicant: **P&P IMPORTS LLC**, Irvine, CA (US)

(72) Inventors: **Peter Engler**, Newport Beach, CA (US); **Peter Tanoury**, Newport Beach, CA (US); **Sean Kyne**, Dana Point, CA (US)

(**) Term: **15 Years**

(21) Appl. No.: **29/752,983**

(22) Filed: **Sep. 29, 2020**

(51) **LOC (13) Cl.** **21-01**

(52) **U.S. Cl.**
USPC **D21/302**

(58) **Field of Classification Search**
USPC D21/300, 301, 302, 303, 304, 305, 309,
D21/310, 312, 313, 314, 315, 699, 701,
D21/702, 703, 704, 705, 706, 707, 708,
D21/759, 781, 789
CPC A63B 65/00; A63B 1/00; A63B 67/00;
A63B 63/00; A63B 63/04; A63B 63/045;
A63B 63/08; A63B 67/06; A63F 1/067;
A47B 25/00

See application file for complete search history.

(56) **References Cited**

U.S. PATENT DOCUMENTS

D706,354 S * 6/2014 Montenare D21/303
D808,465 S * 1/2018 Wolters D21/303
D838,791 S * 1/2019 Schneider D21/699
D868,916 S * 12/2019 Engler D21/303
D868,917 S * 12/2019 Engler D21/303

D872,181 S * 1/2020 Engler D21/302
D872,182 S * 1/2020 Engler D21/305
D873,919 S * 1/2020 Emmerson D21/303
D876,548 S * 2/2020 Wolters D21/302
D877,256 S * 3/2020 Engler D21/303
D933,132 S * 10/2021 Engler D21/305

OTHER PUBLICATIONS

“GoSports Foam Fire Games” posted Nov. 22, 2019 [Online], [retrieved Jan. 26, 2022]. Retrieved from internet: <https://amzn.to/3o47SCm>.*

* cited by examiner

Primary Examiner — Mehri F Bajoul

(74) *Attorney, Agent, or Firm* — Casey H. Kempner;
Siamak S. Hefazi

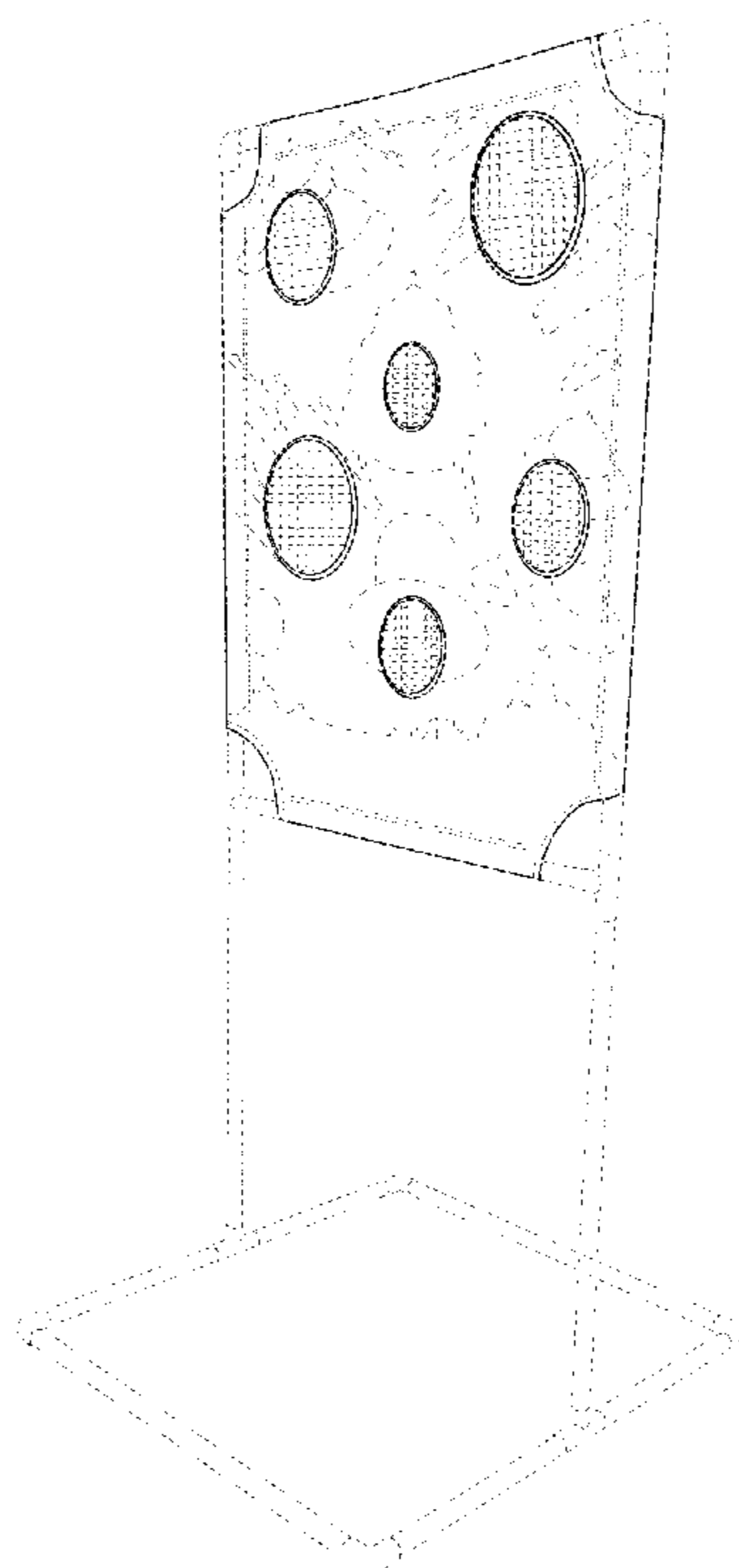
(57) **CLAIM**

The ornamental design for a game target, as shown and described.

DESCRIPTION

FIG. 1 is a perspective view of a game target showing the claimed design;
FIG. 2 is a front view thereof;
FIG. 3 is a back view thereof;
FIG. 4 is a right-side view thereof;
FIG. 5 is a left-side view thereof;
FIG. 6 is a bottom view thereof; and,
FIG. 7 is a top view thereof.
Broken lines in the figures show portions of the game target that form no part of the claimed design.

1 Claim, 7 Drawing Sheets



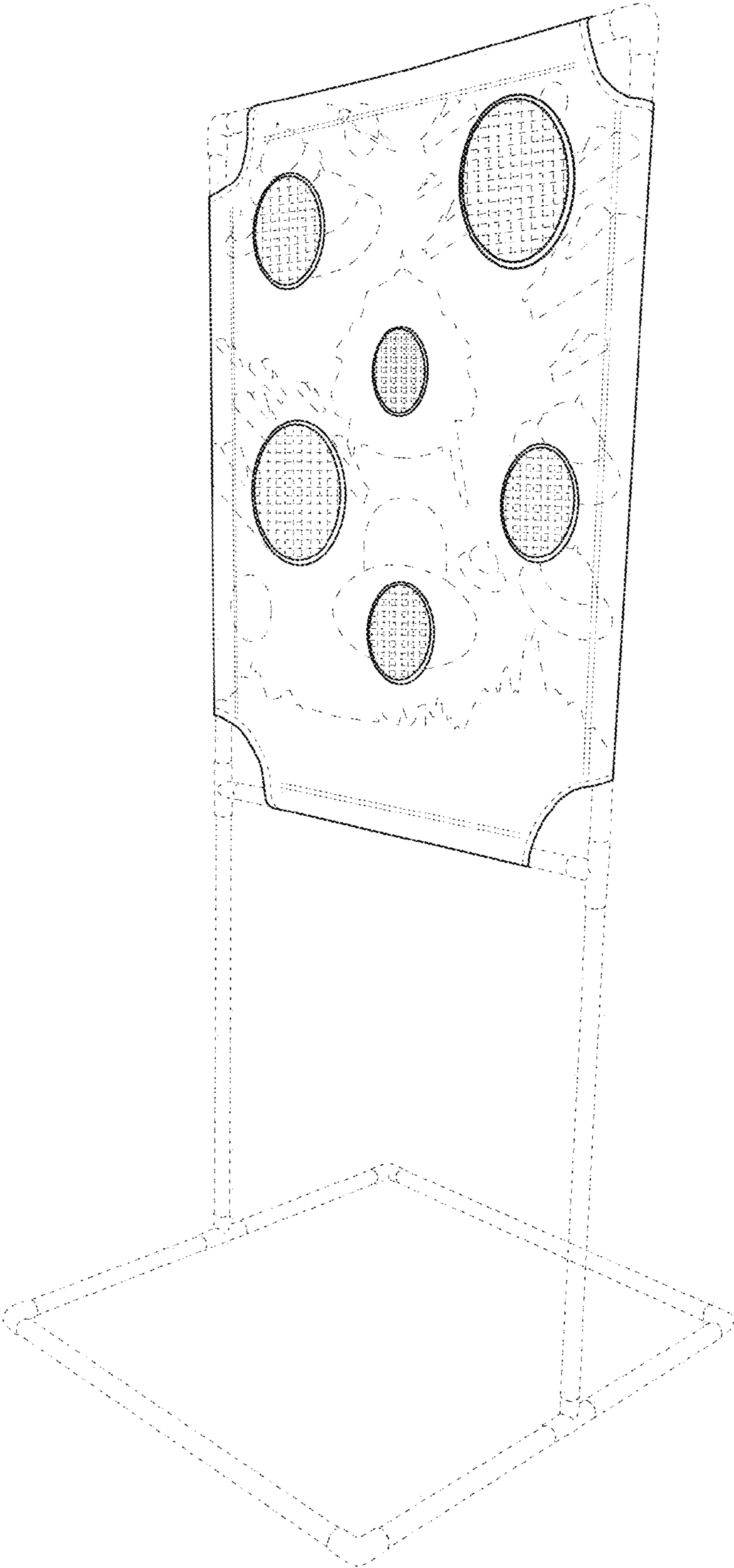


FIG. 1

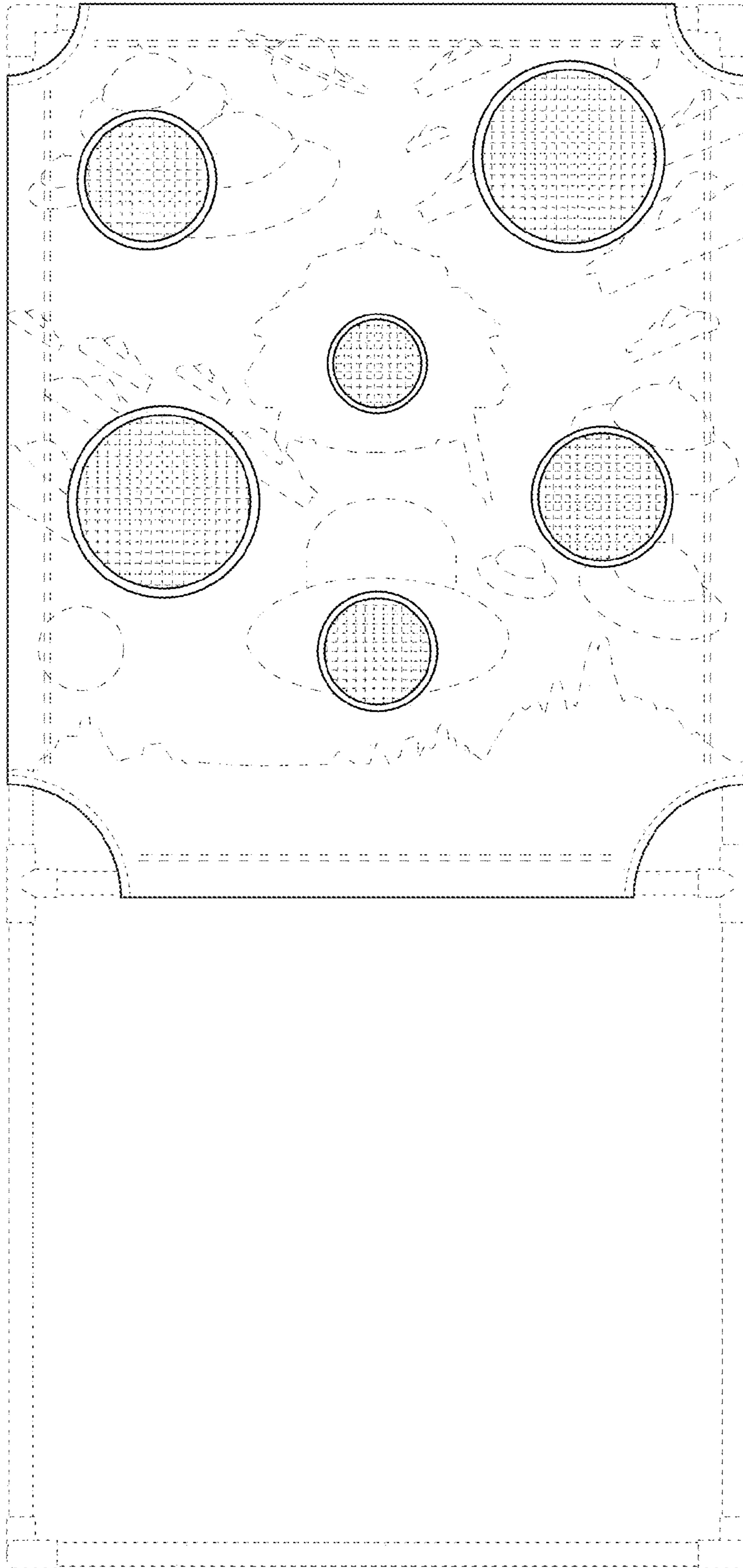


FIG. 2

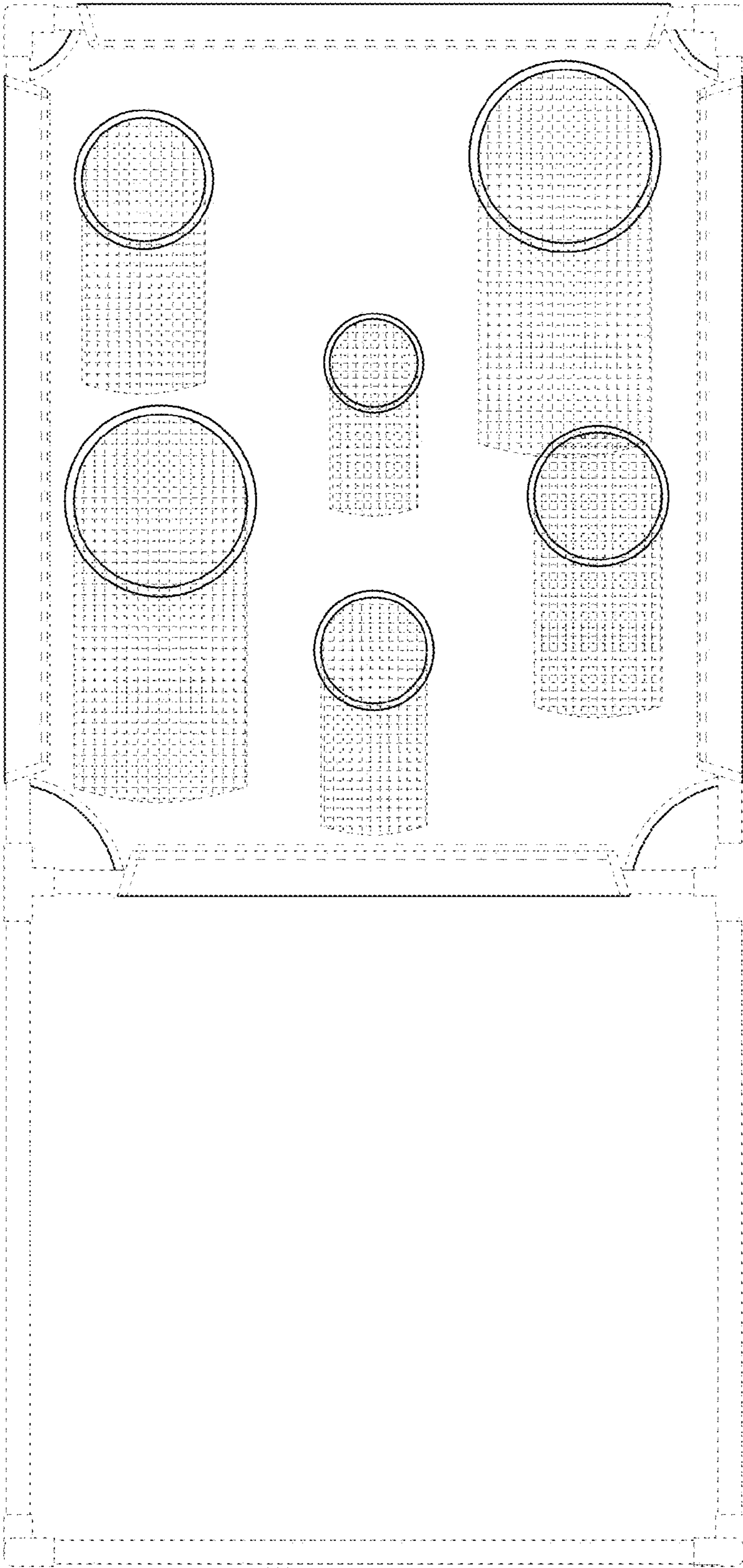


FIG. 3

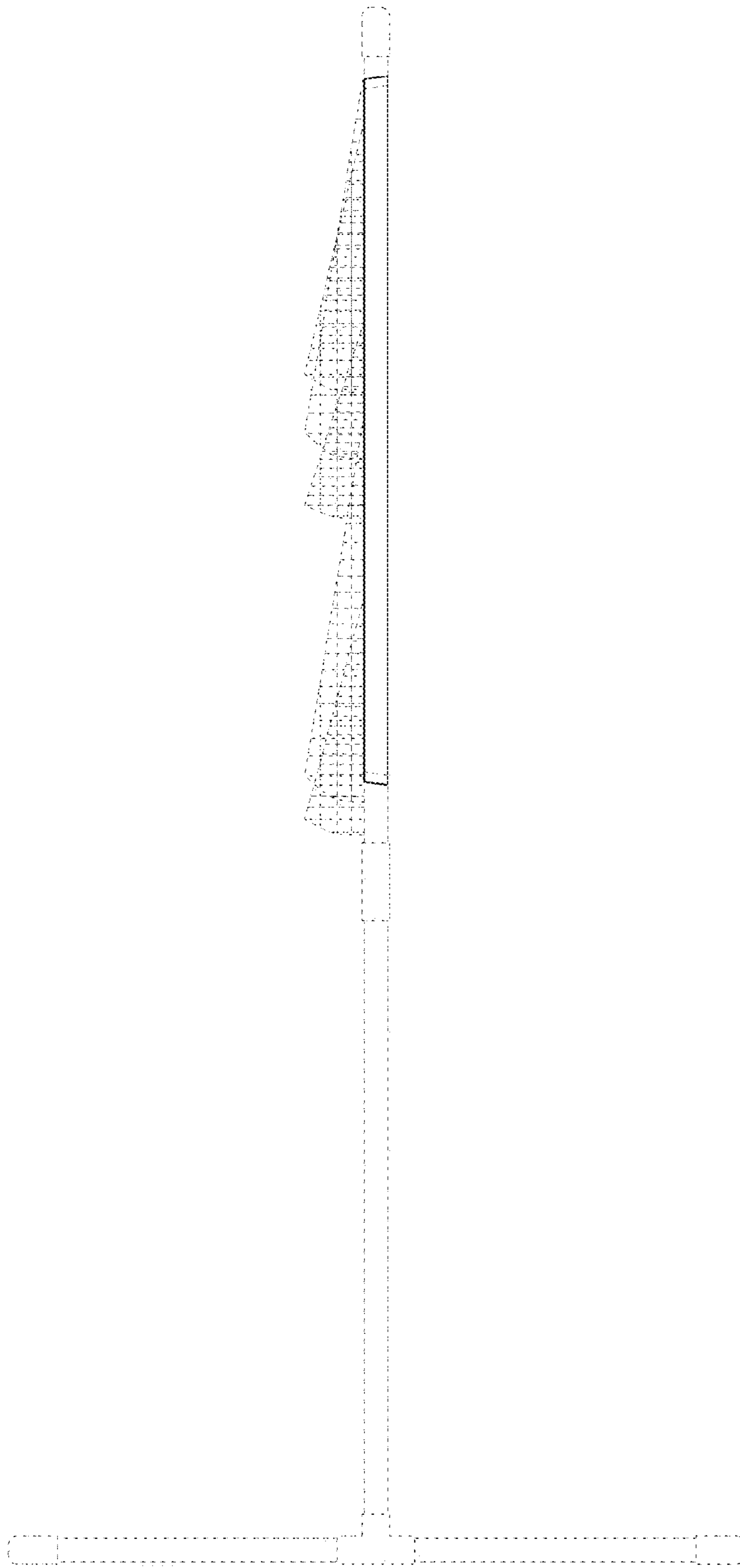


FIG. 4

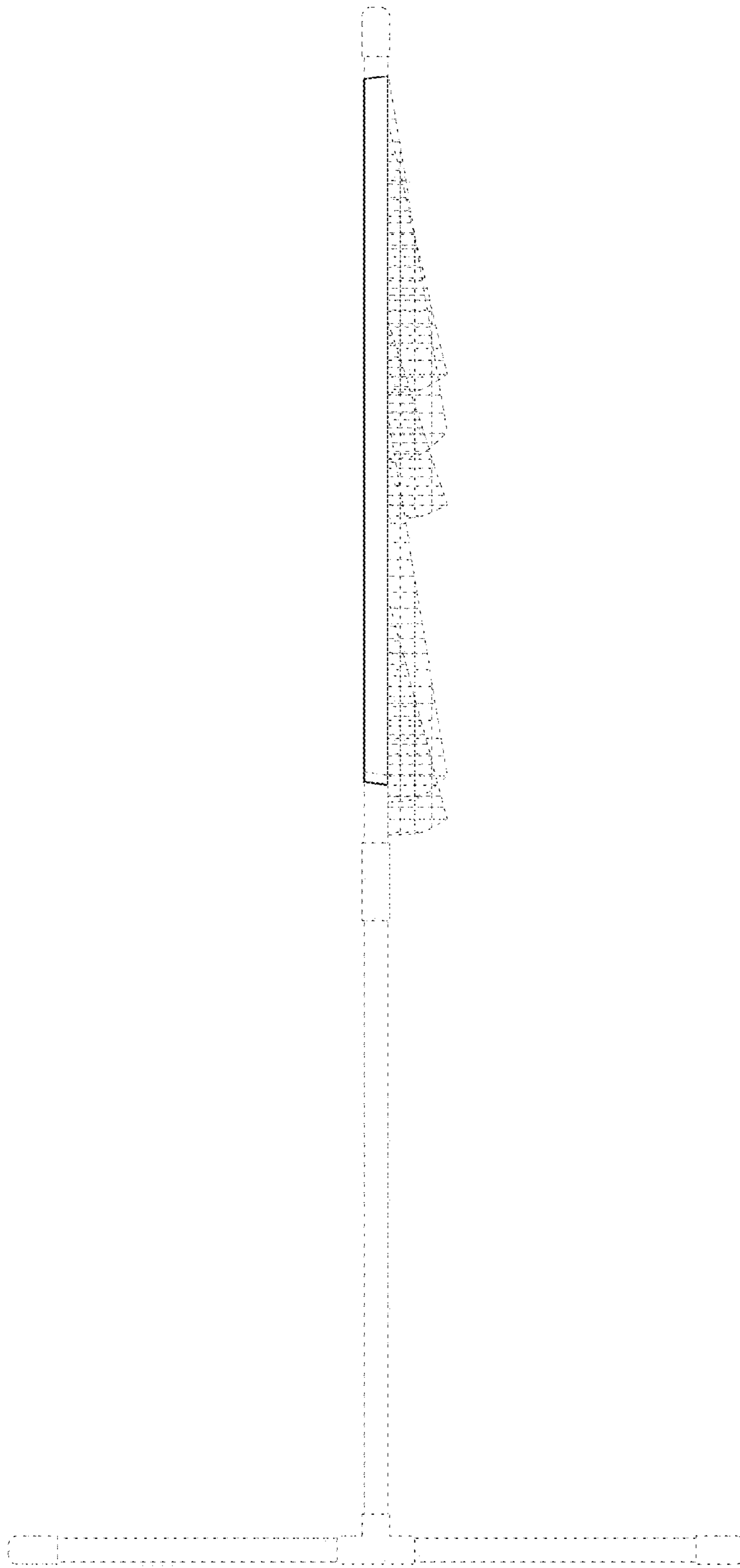


FIG. 5

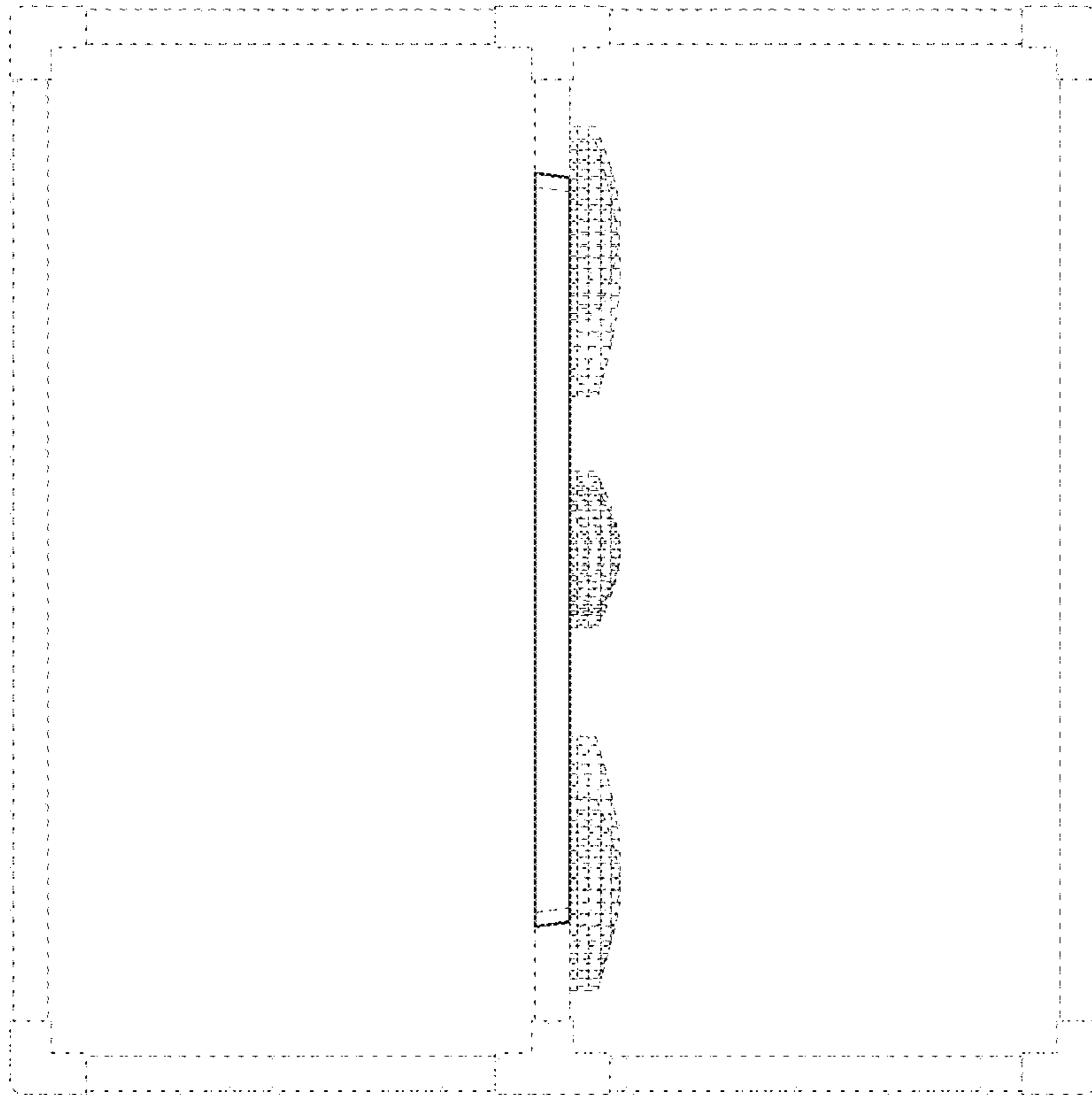


FIG. 6

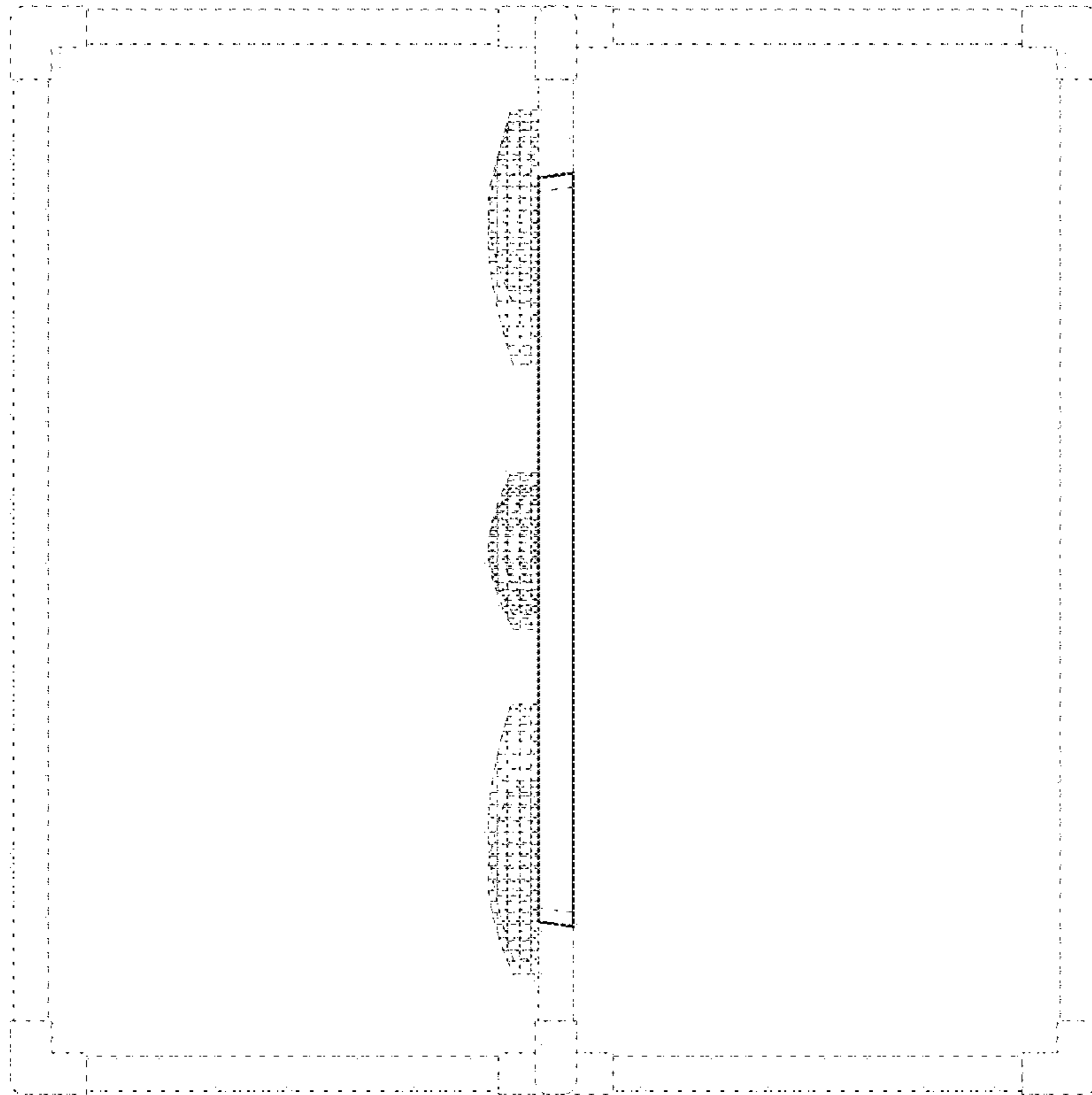


FIG. 7