



US00D960228S

(12) **United States Design Patent**
Zhang

(10) **Patent No.:** **US D960,228 S**

(45) **Date of Patent:** **** Aug. 9, 2022**

(54) **PAIR OF GLASSES**

(71) Applicant: **Haiying Zhang**, Xiamen (CN)

(72) Inventor: **Haiying Zhang**, Xiamen (CN)

(**) Term: **15 Years**

(21) Appl. No.: **29/790,050**

(22) Filed: **Nov. 2, 2021**

(51) **LOC (13) Cl.** **16-06**

(52) **U.S. Cl.**
USPC **D16/314**

(58) **Field of Classification Search**
USPC D16/300, 301, 311-317, 319, 321, 325,
D16/329

CPC G02C 7/10
See application file for complete search history.

from Internet, URL: <https://www.amazon.com/Oakley-Radar-OO9208-07-Sunglasses-Polished/dp/B0991KGR79?th=1> (Year: 2015).*

Torege Polarized Sports Sunglasses, posted at amazon.com, posting date Dec. 19, 2015, [online], [site visited Jun. 10, 2022]. Available from Internet, URL: <https://www.amazon.com/TOREGE-Polarized-Sunglasses-Interchangeable-Baseball/dp/B01HRJIG3Y/?th=1> (Year: 2015).*

* cited by examiner

Primary Examiner — Maria J. Edwards

(74) *Attorney, Agent, or Firm* — Georgi Korobanov

(57) **CLAIM**

The ornamental design for a pair of glasses, as shown and described.

(56) **References Cited**

U.S. PATENT DOCUMENTS

D585,475 S *	1/2009	Yang	D16/314
D659,180 S *	5/2012	Moritz	D16/314
D659,746 S *	5/2012	Chen	D16/314
D783,080 S *	4/2017	Garfias	D16/314
D849,824 S *	5/2019	Mucaro	D16/314
D913,359 S	3/2021	Barlettano		
D933,738 S	10/2021	Deyue		

OTHER PUBLICATIONS

Oakley Radar Ev Path Sunglasses, posted at amazon.com, posting date Apr. 3, 2015, [online], [site visited Jun. 10, 2022]. Available

DESCRIPTION

FIG. 1 is a perspective view of a pair of glasses showing my new design;

FIG. 2 is another perspective view thereof;

FIG. 3 is a front view thereof;

FIG. 4 is a rear view thereof;

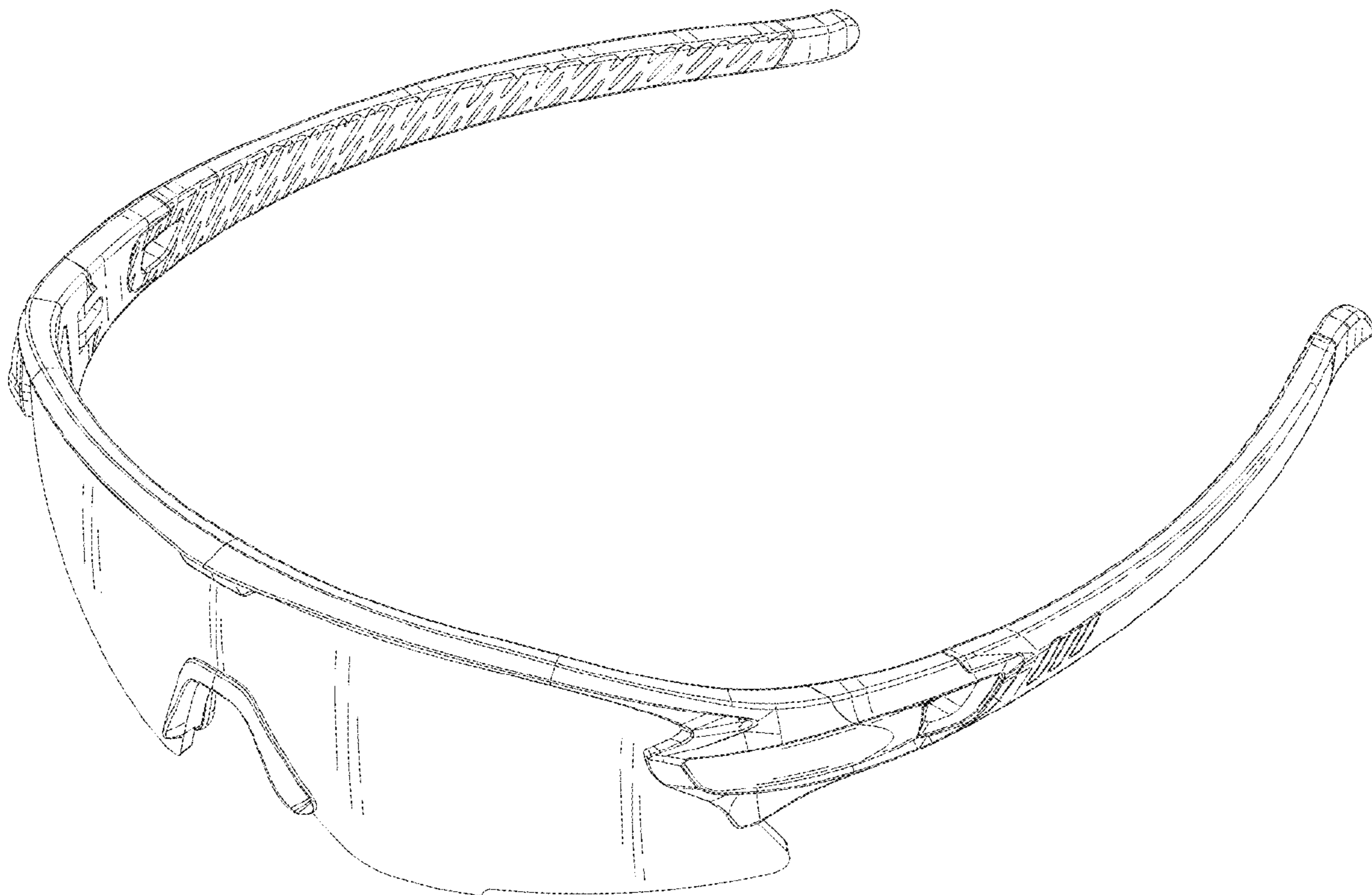
FIG. 5 is a left side view thereof;

FIG. 6 is a right side view thereof;

FIG. 7 is a top plan view thereof; and,

FIG. 8 is a bottom plan view thereof.

1 Claim, 8 Drawing Sheets



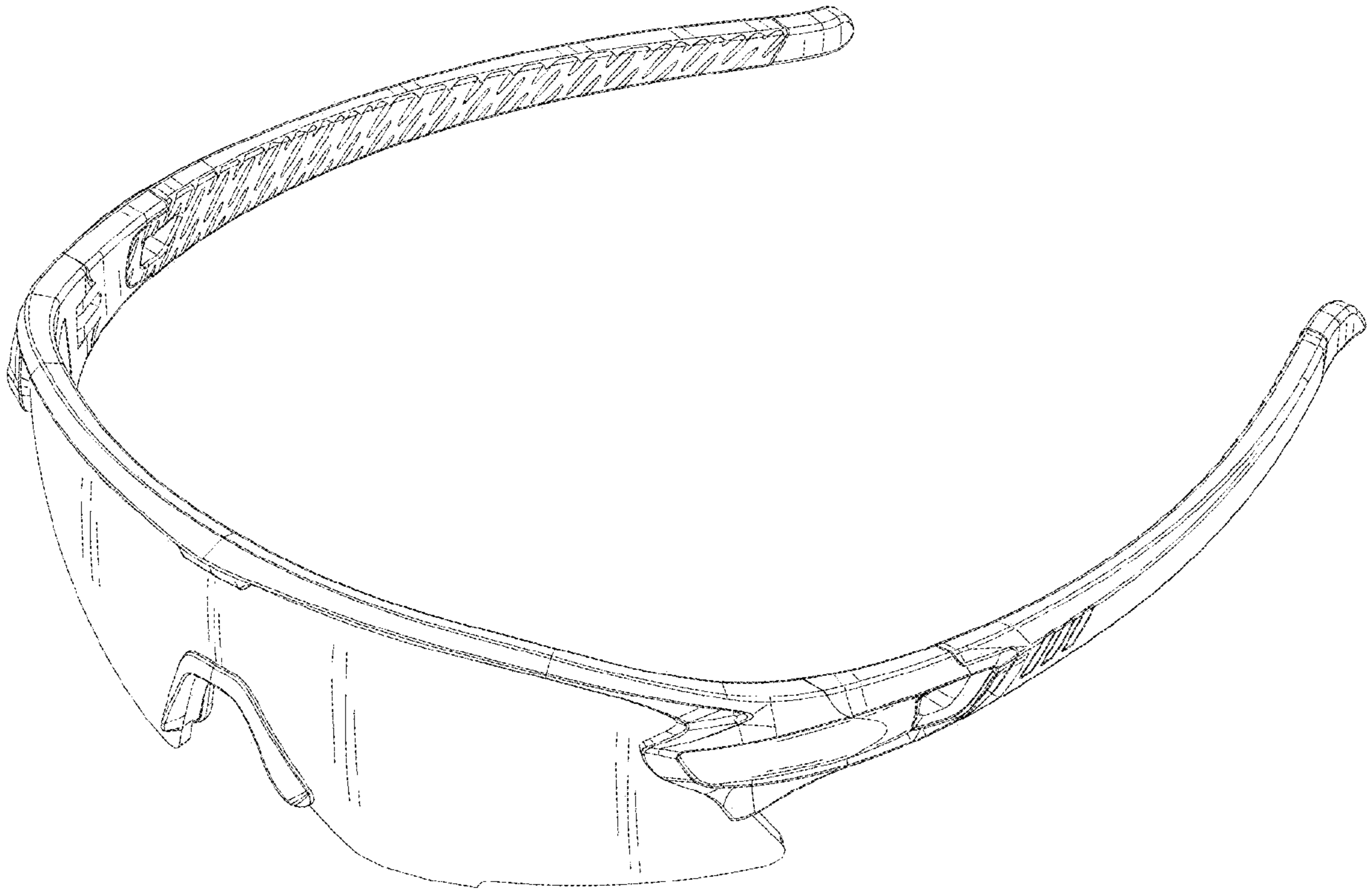


FIG. 1

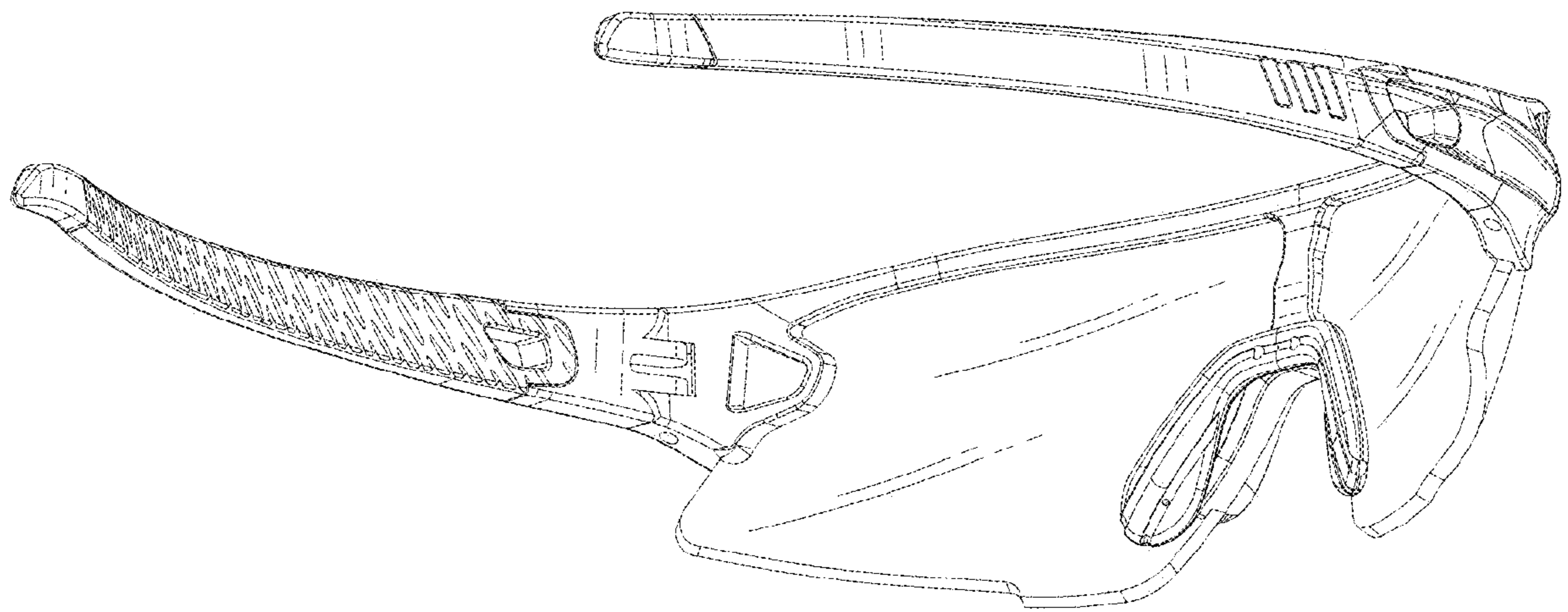


FIG. 2

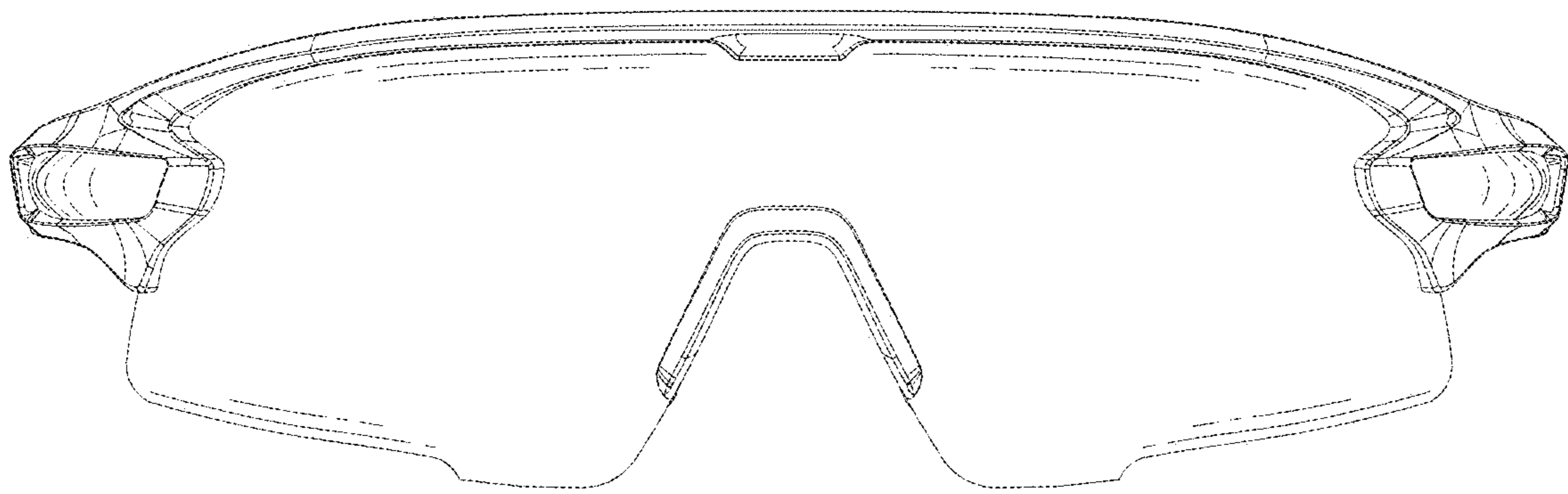


FIG. 3

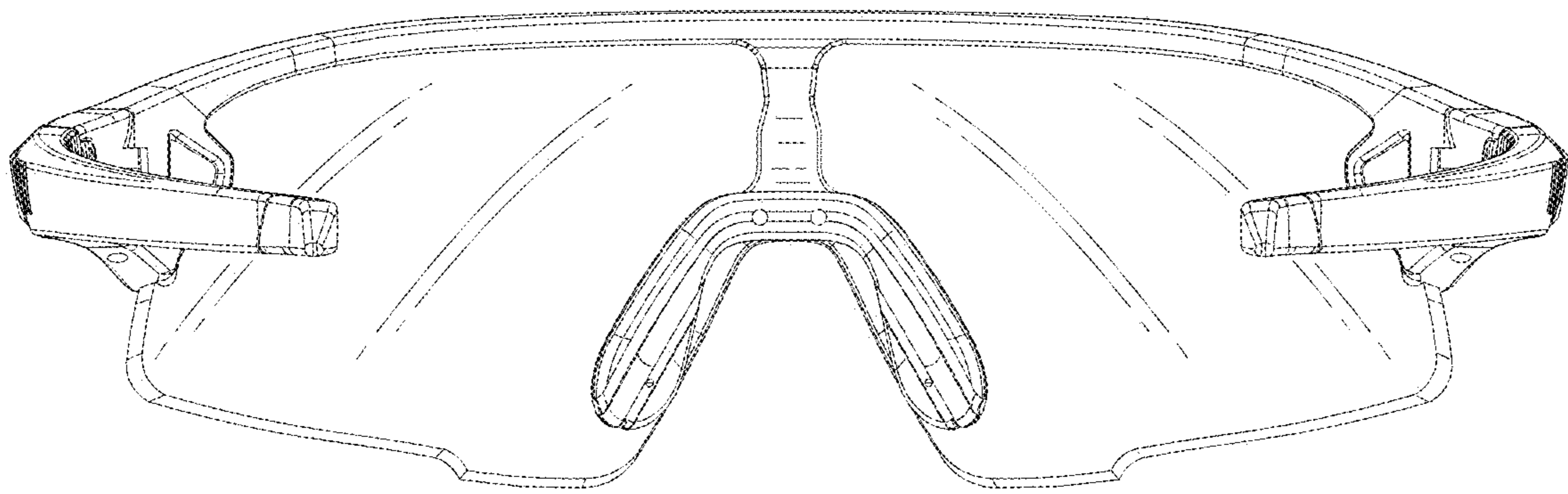


FIG. 4

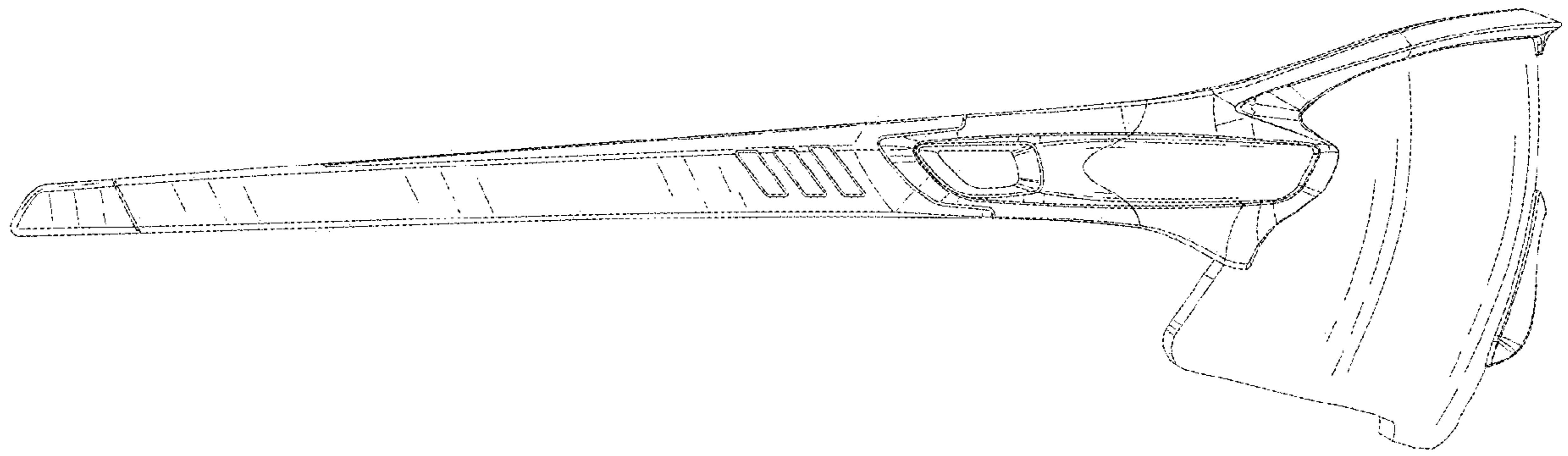


FIG. 5

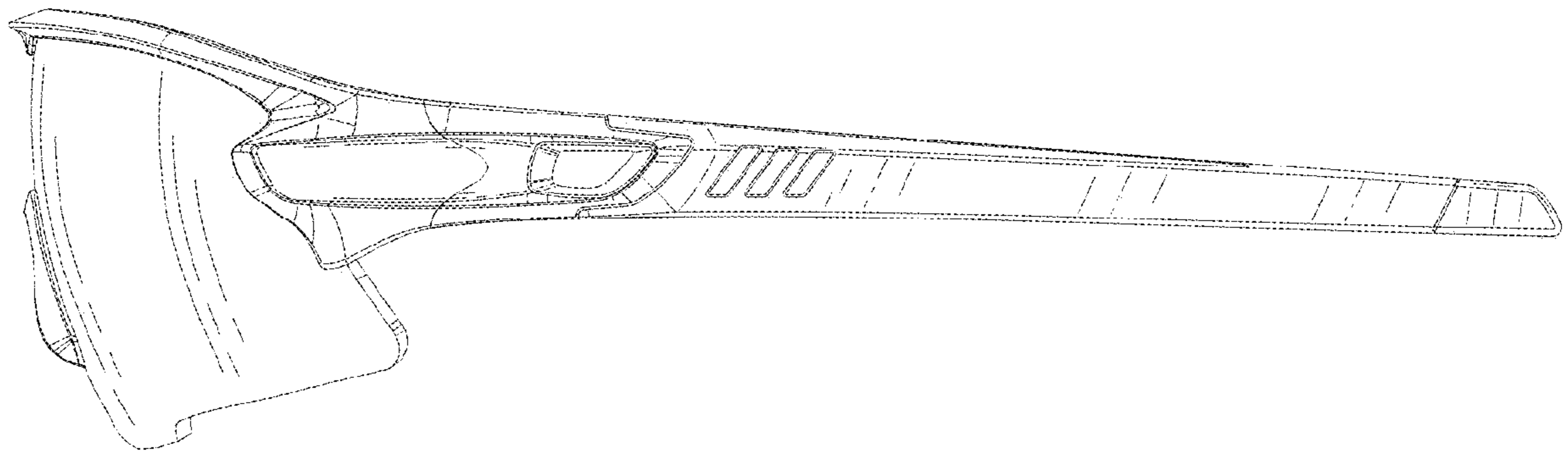


FIG. 6



FIG. 7



FIG. 8