



US00D960224S

(12) **United States Design Patent** (10) **Patent No.:** **US D960,224 S**
Tadesse (45) **Date of Patent:** **** Aug. 9, 2022**

(54) **UNIVERSAL ADJUSTABLE MOUNT ADAPTER**

FOREIGN PATENT DOCUMENTS

(71) Applicant: **Sandmarc, LLC**, San Diego, CA (US)

AR 7450-0001 * 1/1968
CN 302710123 * 1/2014

(Continued)

(72) Inventor: **Abel Tadesse**, San Diego, CA (US)

OTHER PUBLICATIONS

(73) Assignee: **Sandmarc, LLC**, San Diego, CA (US)

Swarovski Car Window Mount, product availability date unknown [online], no video/pictured review [online], [site visited May 9, 2022]: URL:<https://www.bhphotovideo.com/c/product/162087-REG/Swarovski_49043_Car_Window_Mount.html> (Year: 2022).*

(**) Term: **15 Years**

(Continued)

(21) Appl. No.: **29/747,623**

(22) Filed: **Aug. 24, 2020**

(51) **LOC (13) Cl.** **16-05**

(52) **U.S. Cl.**
USPC **D16/242**

(58) **Field of Classification Search**
USPC D16/136, 211, 214, 219, 235, 236, 237,
D16/241, 242, 243, 245, 250, 334;
D8/352, 353, 354, 381, 382, 387, 394;
D14/217, 240, 432, 447, 451
CPC .. G03B 17/561; G03B 17/563; G03B 17/566;
G03B 17/565; F16M 11/041; F16M
11/06; F16M 11/043; H04N 5/2254;
G02B 7/00
See application file for complete search history.

Primary Examiner — Sanjeev Paul

Assistant Examiner — Loryn Korrine LeBlanc

(74) *Attorney, Agent, or Firm* — Sarah M. Walkington

(57) **CLAIM**

The ornamental design for a universal adjustable mount adapter, as shown and described.

DESCRIPTION

FIG. 1 is a front perspective view of a universal adjustable mount adapter showing my new design;
FIG. 2 is a front view of the universal adjustable mount adapter of FIG. 1;
FIG. 3 is a rear view of the universal adjustable mount adapter of FIG. 1;
FIG. 4 is a left side view of the universal adjustable mount adapter of FIG. 1;
FIG. 5 is a right side view of the universal adjustable mount adapter of FIG. 1;
FIG. 6 is a top view of the universal adjustable mount adapter of FIG. 1;
FIG. 7 is a bottom view of the universal adjustable mount adapter of FIG. 1; and,
FIG. 8 is a rear perspective view of the universal adjustable mount adapter of FIG. 1.

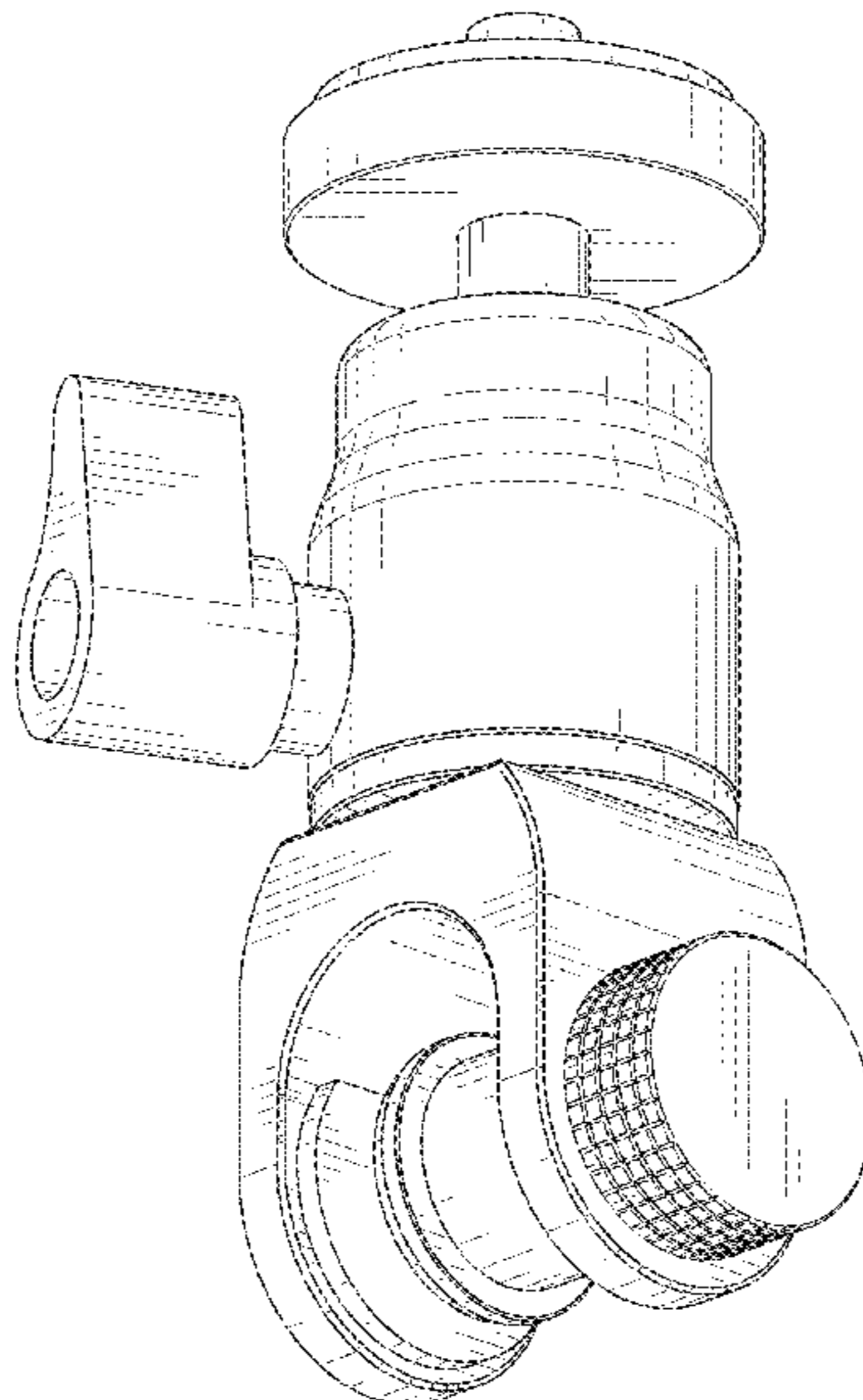
(56) **References Cited**

U.S. PATENT DOCUMENTS

2,029,230 A * 1/1936 Getz F16M 11/08
248/187.1
2,670,228 A * 2/1954 Pagliuso F16M 11/14
285/267
3,782,671 A * 1/1974 Igwe F16M 11/18
396/419
5,172,534 A * 12/1992 Milner A63H 33/042
446/104
6,017,010 A * 1/2000 Cui F16M 11/2078
403/56

(Continued)

1 Claim, 7 Drawing Sheets



(56)

References Cited

U.S. PATENT DOCUMENTS

6,196,504 B1 * 3/2001 Lemke F16M 11/041
396/428
D532,001 S * 11/2006 Burke D14/240
7,185,862 B1 * 3/2007 Yang F16M 11/041
396/428
D551,528 S * 9/2007 Vautour D8/72
D596,635 S * 7/2009 Owens D14/358
D721,267 S * 1/2015 Chun D8/387
D748,183 S * 1/2016 Polito D16/242
D767,664 S * 9/2016 Polito D16/242
D768,471 S * 10/2016 Marquez D8/382
D781,297 S * 3/2017 Liao D14/447
D781,950 S * 3/2017 Weisz D16/242
D786,984 S * 5/2017 Pouliot D21/492
D845,378 S * 4/2019 Chuang D16/242
D849,099 S * 5/2019 Patrick D16/208
10,502,921 B1 * 12/2019 Wauchop A61B 5/6898
D880,568 S * 4/2020 Gorsuch D8/382
10,620,508 B2 * 4/2020 Patrick H04N 5/2254
D884,704 S * 5/2020 Patrick D14/432
D891,407 S * 7/2020 Folk D14/240
2008/0283697 A1 * 11/2008 Darrow F16M 11/40
396/428
2010/0288896 A1 * 11/2010 Church F16M 11/2092
248/226.11
2013/0107109 A1 * 5/2013 Yang G02B 7/02
359/827
2015/0042877 A1 * 2/2015 O'Neill G02B 7/14
348/376
2016/0216597 A1 * 7/2016 Lim G03B 17/566
2019/0353990 A1 * 11/2019 Patrick G03B 17/56
2020/0362895 A1 * 11/2020 Lin F16M 11/14
2021/0294186 A1 * 9/2021 Zou G03B 17/561

FOREIGN PATENT DOCUMENTS

CN 303005559 * 11/2014
CN 305054250 * 3/2019
CN 305245475 * 7/2019
CN 305427730 * 11/2019
CN 307072667 * 12/2019
CN 305888102 * 6/2020
CN 306072275 * 9/2020
CN 306242883 * 12/2020
CN 306451878 * 4/2021
CN 306551506 * 5/2021
CN 307108521 * 2/2022
CN 307245100 * 4/2022
EM 008937908-0002 * 4/2022
GB 2028482 * 6/1993
JP D1508373 * 10/2014
JP D1602049 * 4/2018

JP D1621348 * 12/2019
KR 300975656.0000 * 10/2018
RU 00040998 * 2/1995

OTHER PUBLICATIONS

Manfrotto Car Window Pod Mount and Micro Ball Head, product availability date unknown [online], no video/pictured review [online], [site visited May 9, 2022]:URL:<https://www.bhphotovideo.com/c/product/736043-REG/Manfrotto_Car_Window_Pod_Mount.html> (Year: 2022).*

Oben Car Window Mount & Single Lever Ball Head Kit, product availability date unknown [online], no video/pictured review [online], [site visited May 9, 2022]:URL:<https://www.bhphotovideo.com/c/product/1488388-REG/oben_ball_head_single_levr_car_window.html> (Year: 2022).*

Kupo Car Window Mounting Clamp with Midi Ball Head, product availability date unknown [online], no video/pictured review [online], [site visited May 9, 2022]:URL:<https://www.bhphotovideo.com/c/product/1525259-REG/kupo_kg093711_car_window_mount_clamp.html> (Year: 2022).*

Delvcam PD-05020 Video Ultra Clamp, product availability date unknown [online], no video/pictured review [online], [site visited May 9, 2022]:URL:<https://www.bhphotovideo.com/c/product/985031-REG/delvcam_pd_05020_video_ultra_clamp.html> (Year: 2022).*

Camvate Extended Super C-Clamp with Mini Ball Head, product availability date unknown [online], no video/pictured review [online], [site visited May 9, 2022]:URL:<https://www.bhphotovideo.com/c/product/1608134-REG/camvate_c2623_super_c_clamp_with_1_4_20.html> (Year: 2022).*

RigWheels Small Ball Head, product availability date unknown [online], no video/pictured review [online], [site visited May 9, 2022]:URL:<https://www.bhphotovideo.com/c/product/900571-REG/rigwheels_bh01_small_ball_mount.html> (Year: 2022).*

Nikon Car Window Mount, product availability date unknown [online], no video/pictured review [online], [site visited May 9, 2022]:URL:<https://www.bhphotovideo.com/c/product/171181-REG/Nikon_7070_Car_Window_Mount.html> (Year: 2022).*

Vanguard Window Mount, product availability date unknown [online], no video/pictured review [online], [site visited May 9, 2022]:URL:<https://www.bhphotovideo.com/c/product/1549447-REG/vanguard_veo2ph_28wm_window_mount_with_2_way.html> (Year: 2022).*

Vortex Pro Car Window Mount, product availability date unknown [online], no video/pictured review [online], [site visited May 9, 2022]:URL:<https://www.bhphotovideo.com/c/product/1614216-REG/vortex_cwm2_pro_car_window_mount.html> (Year: 2022).*

Opticron Car Window Mount, product available Feb. 1, 2014 [online], no video/pictured review [online], [site visited Jan. 15, 2022]:URL:<<https://www.amazon.com/Opticron-40502-Car-Window-Mount/dp/B005XXYZ78>> (Year: 2014).*

* cited by examiner

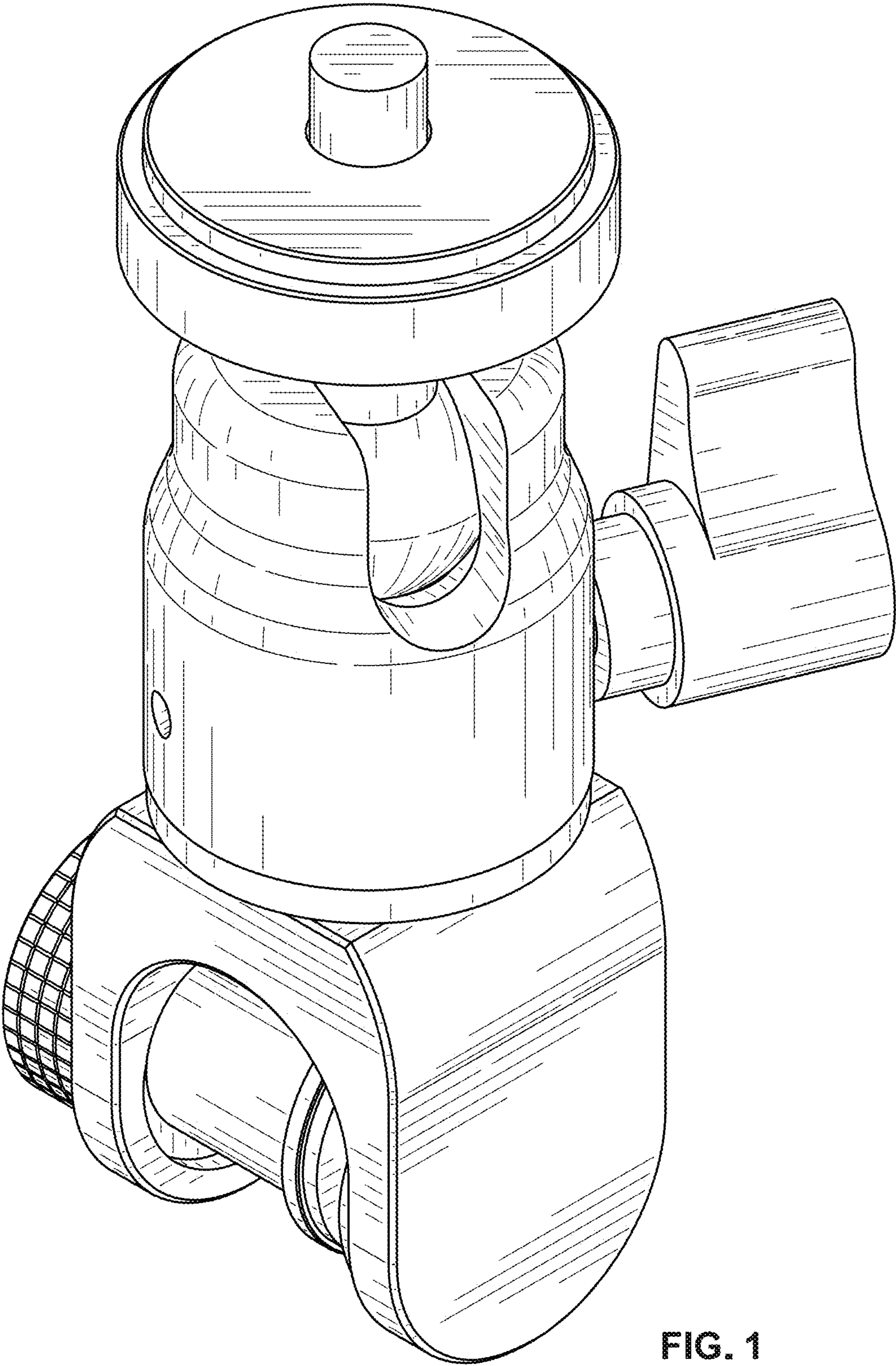


FIG. 1

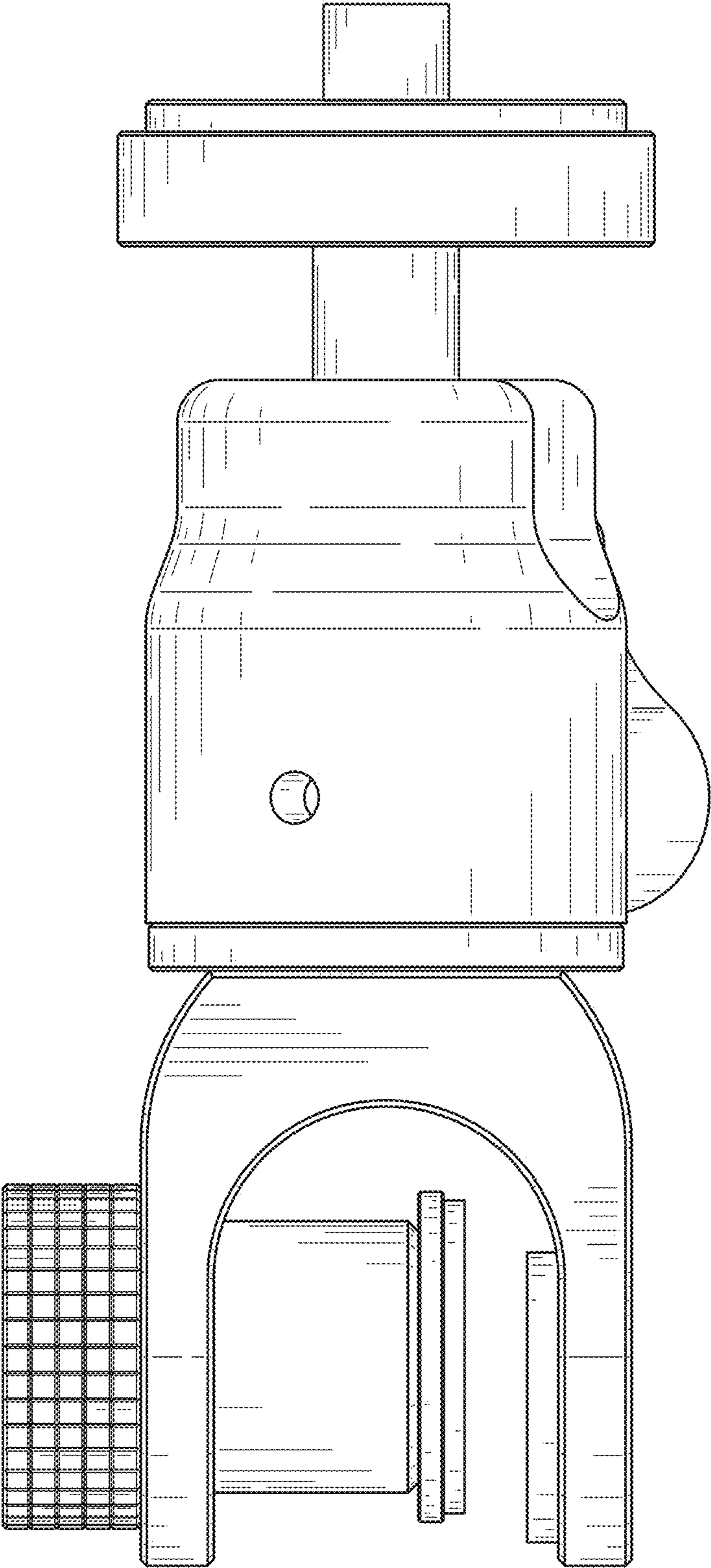


FIG. 2

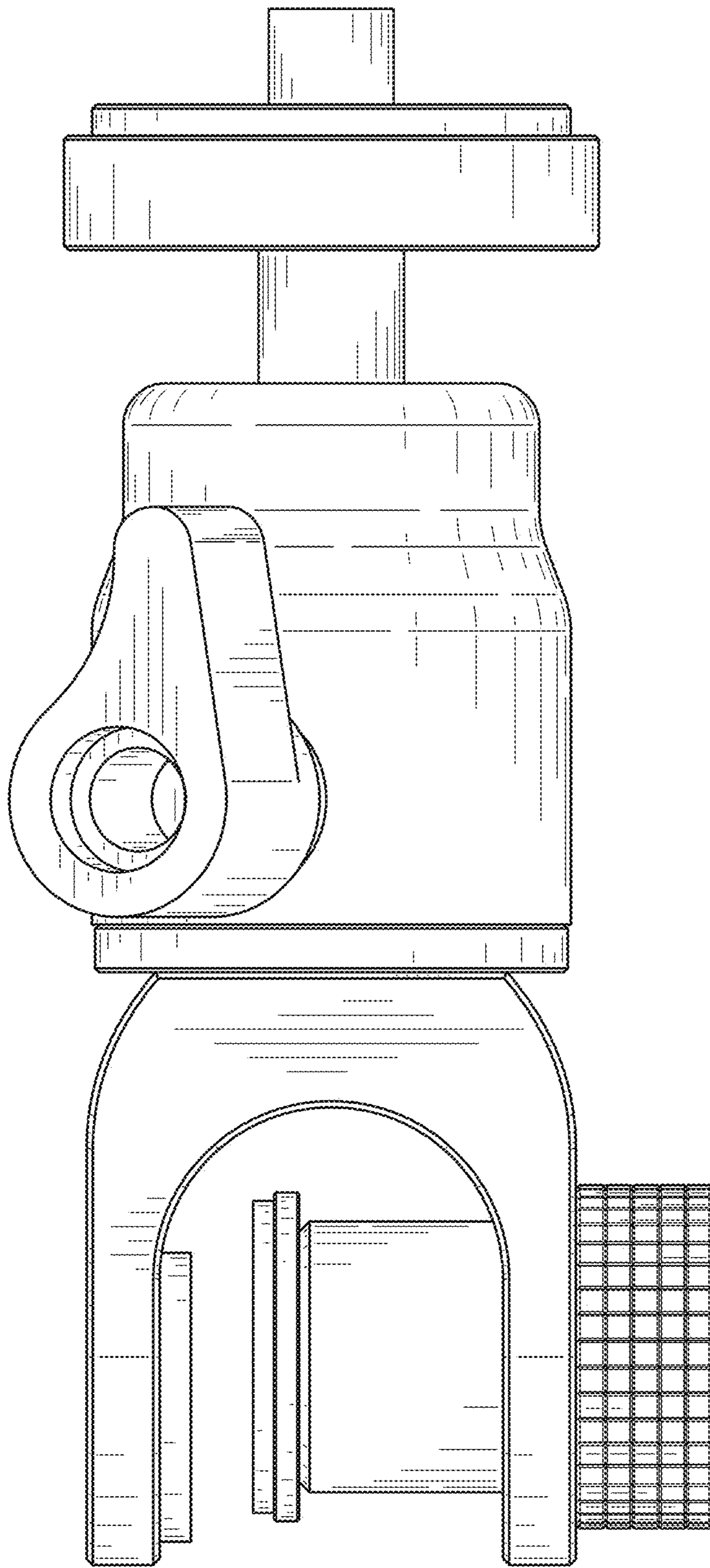


FIG. 3

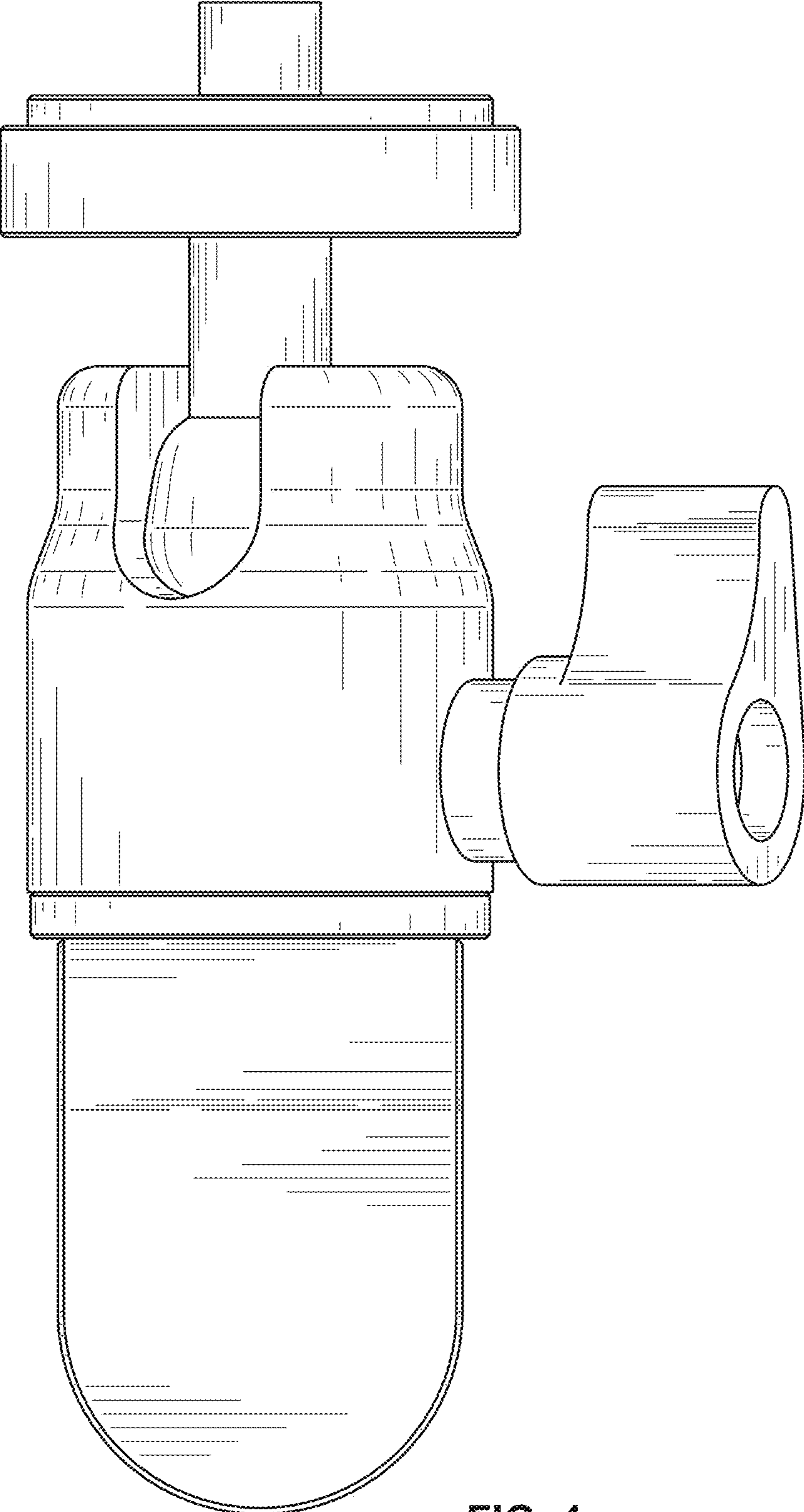


FIG. 4

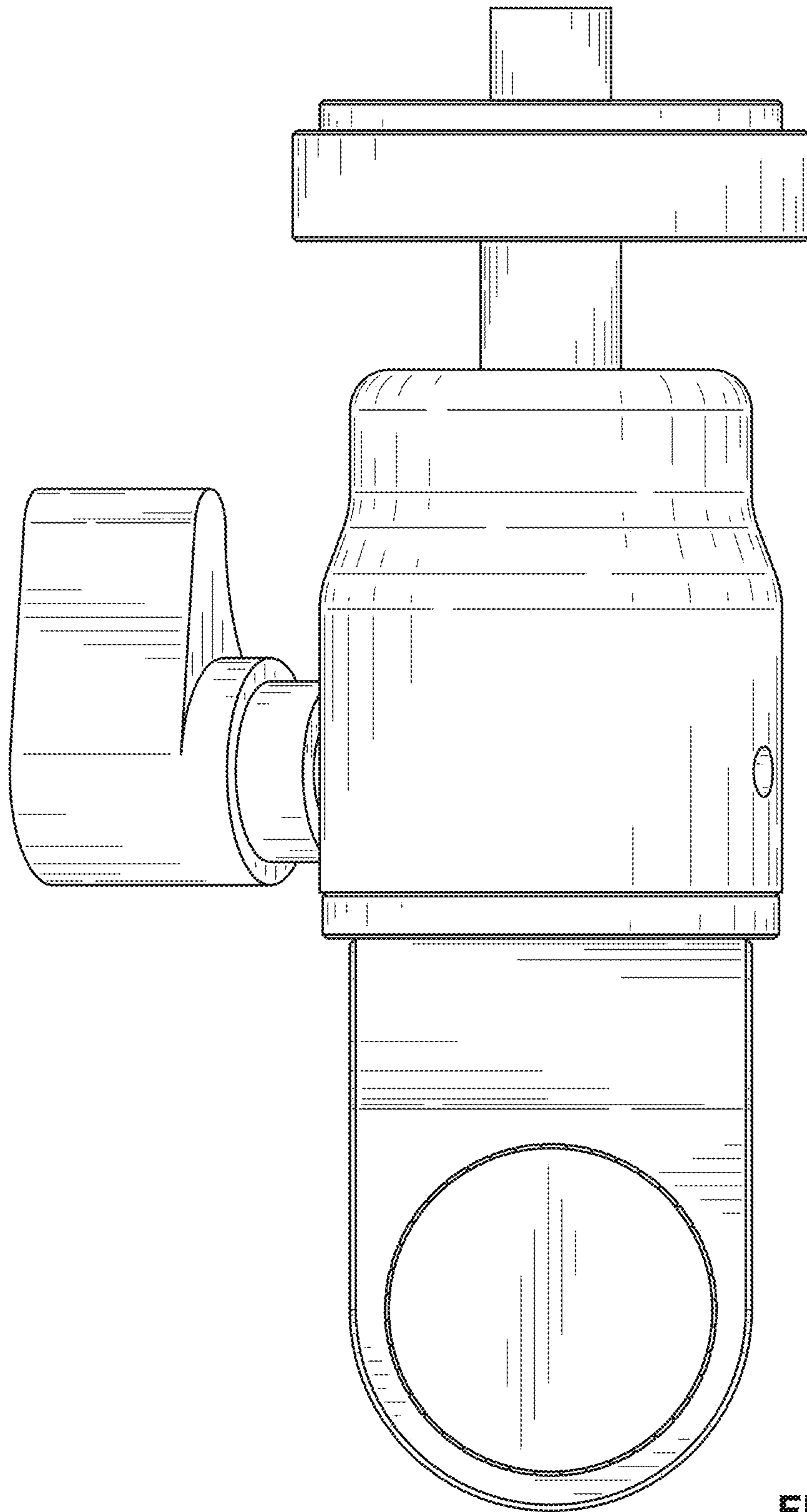


FIG. 5

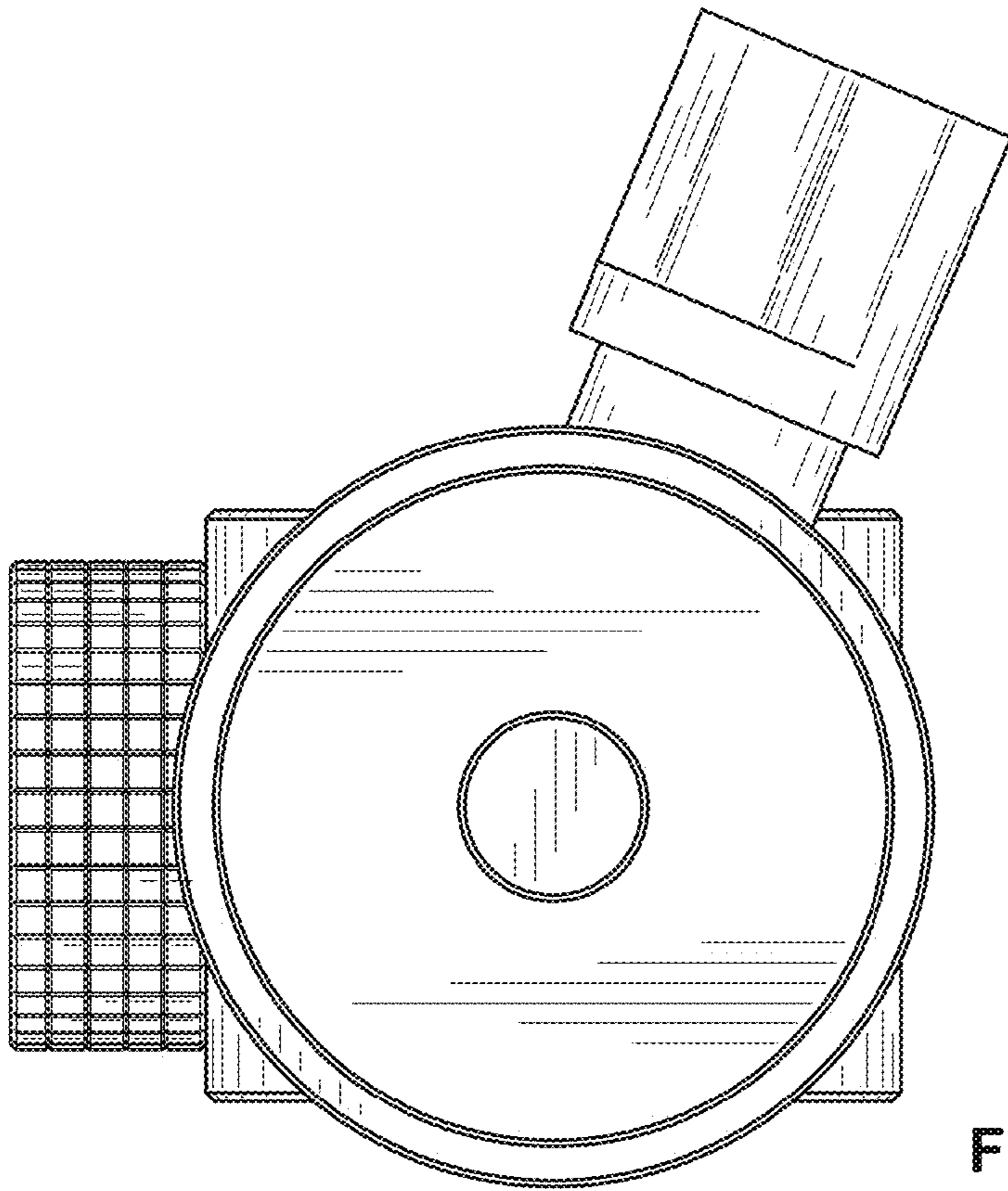


FIG. 6

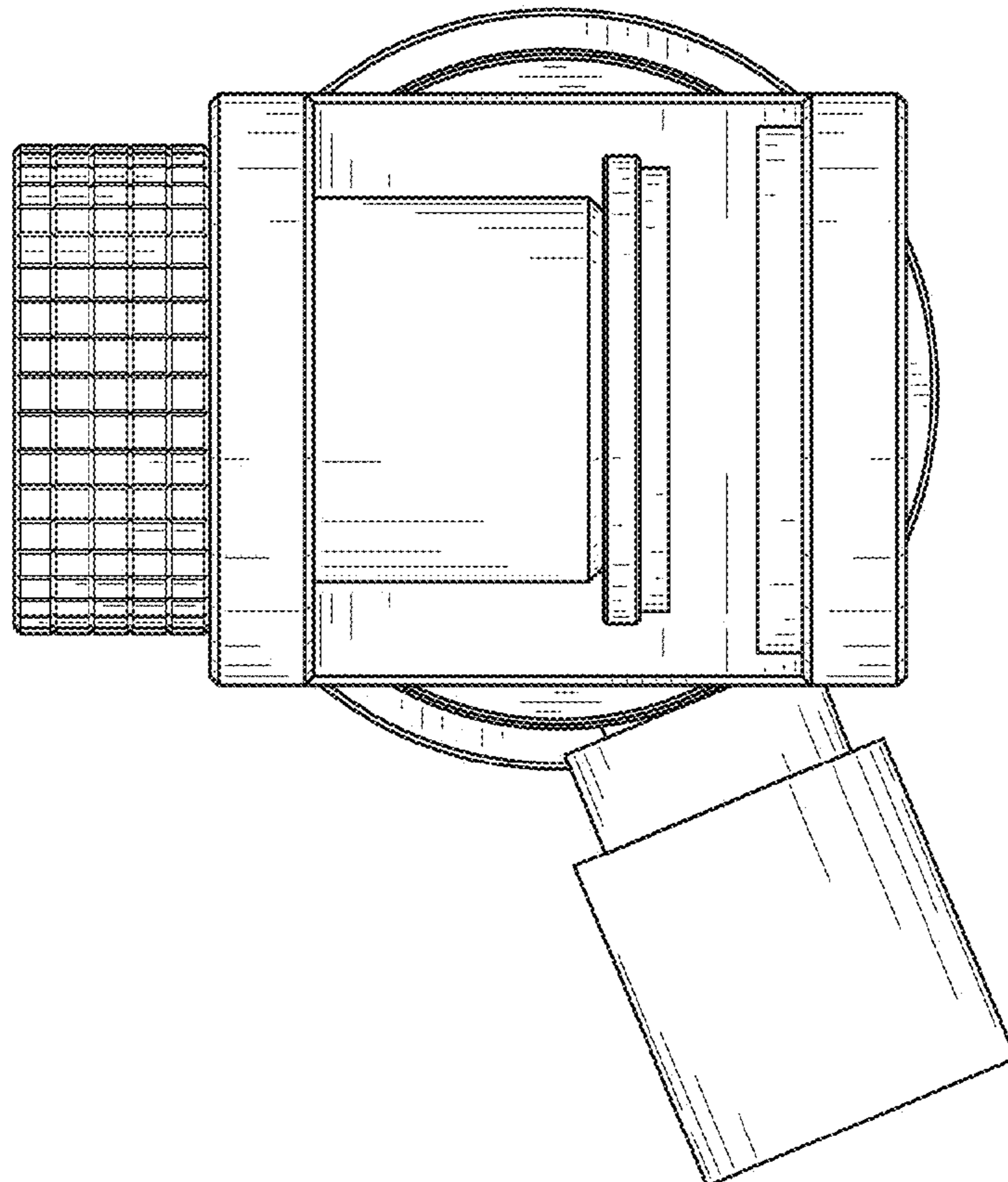


FIG. 7

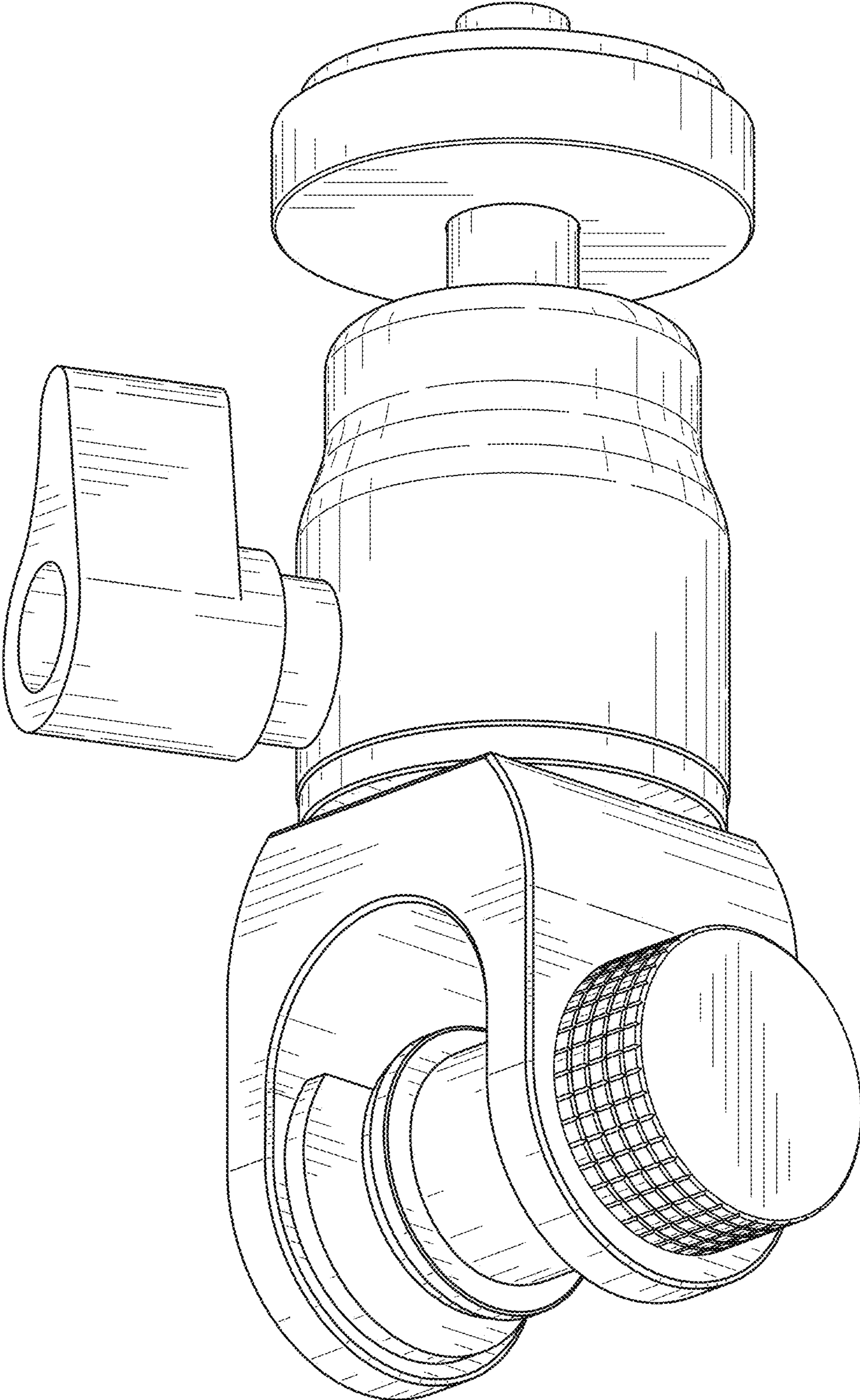


FIG. 8