



US00D960223S

(12) **United States Design Patent** (10) **Patent No.:** **US D960,223 S**
Deng et al. (45) **Date of Patent:** **** Aug. 9, 2022**

(54) **PROJECTOR**

(71) Applicant: **Shenzhen Shadow Crown Technology Co., Ltd**, Guangdong (CN)

(72) Inventors: **Feiyue Deng**, Guangdong (CN); **Qiang Yu**, Guangdong (CN)

(73) Assignee: **Shenzhen Shadow Crown Technology Co., Ltd**, Shenzhen (CN)

(**) Term: **15 Years**

(21) Appl. No.: **29/764,607**

(22) Filed: **Dec. 31, 2020**

(30) **Foreign Application Priority Data**

Dec. 10, 2020 (CN) 202030762261.3

(51) **LOC (13) Cl.** **16-02**

(52) **U.S. Cl.**
USPC **D16/225; D16/230**

(58) **Field of Classification Search**
USPC D16/221, 225, 230-231, 234; D21/514
CPC G03B 21/16; G03B 21/14; G03B 21/00;
G03B 21/001; G03B 21/003; G03B
21/12; G03B 21/145

See application file for complete search history.

(56) **References Cited**

U.S. PATENT DOCUMENTS

D933,734 S * 10/2021 Xu D16/225
D936,726 S * 11/2021 Deng D16/230
D944,311 S * 2/2022 Deng D16/225

* cited by examiner

Primary Examiner — Wan Laymon

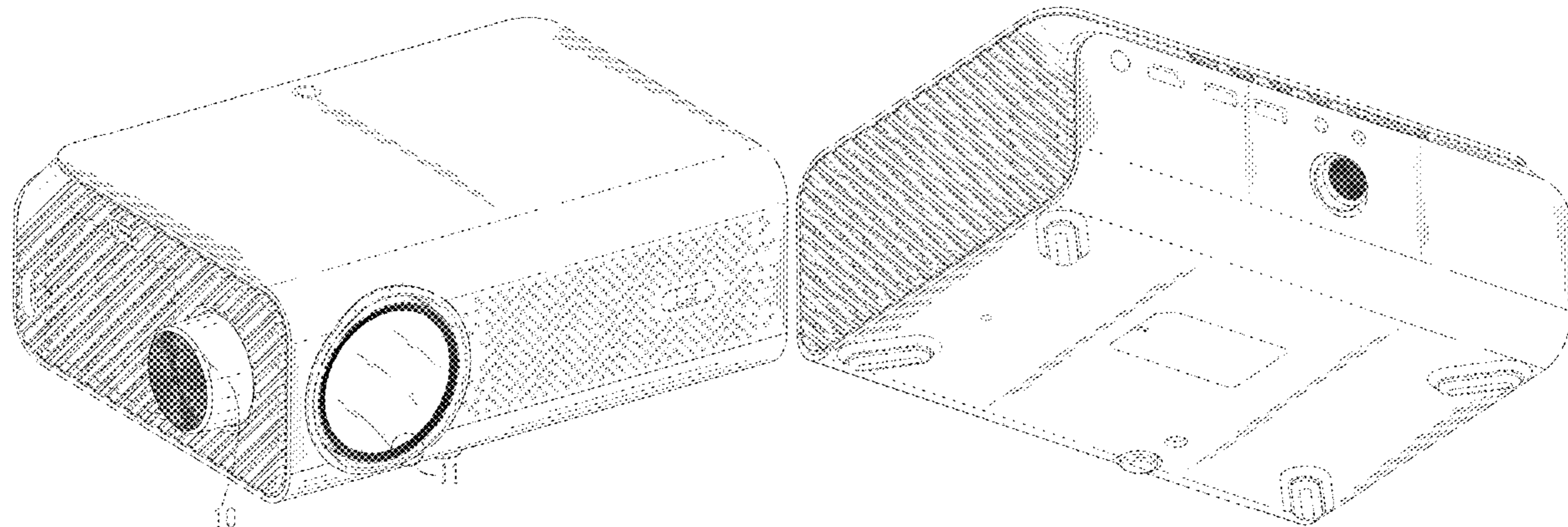
(57) **CLAIM**

The ornamental design for a projector, as shown and described.

DESCRIPTION

FIG. 1 is a top, front and left side perspective view of a projector showing our new design; FIG. 2 is a top, rear and right side perspective view thereof; FIG. 3 is a bottom, rear and right side perspective view thereof; FIG. 4 is a front elevational view thereof; FIG. 5 is a rear elevational view thereof; FIG. 6 is a left side view thereof; FIG. 7 is a right side view thereof; FIG. 8 is a top plan view thereof; FIG. 9 is a bottom plan view thereof; FIG. 10 is an enlarged view of portion 10 in FIG. 1; FIG. 11 is an enlarged view of portion 11 in FIG. 1; and, FIG. 12 is an enlarged view of portion 12 in FIG. 2. The broken lines in the drawings illustrate portions of the projector which form no part of the claimed design. The oblique shade lines in the drawings represent reflective surfaces.

1 Claim, 12 Drawing Sheets



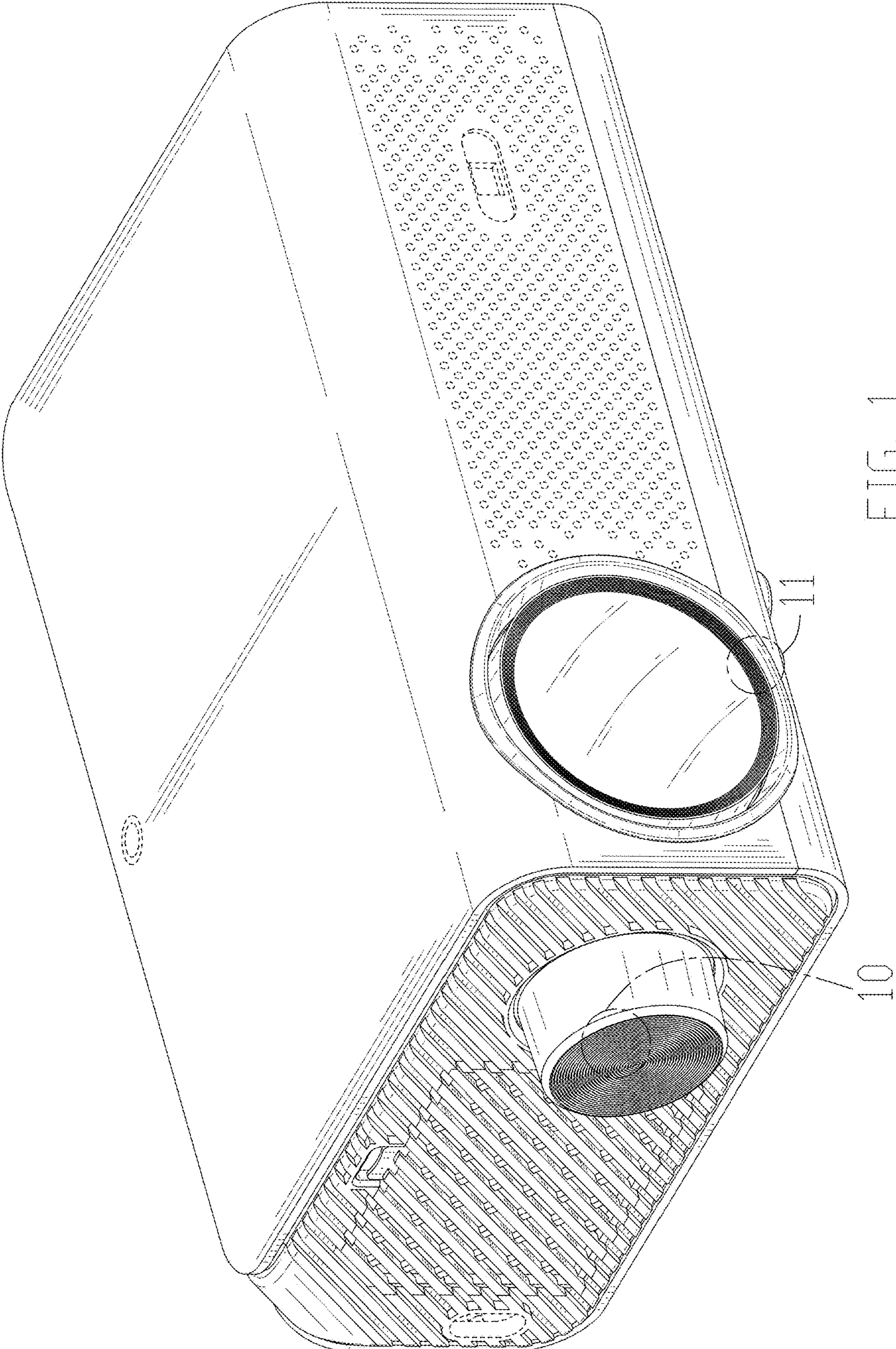


FIG. 1

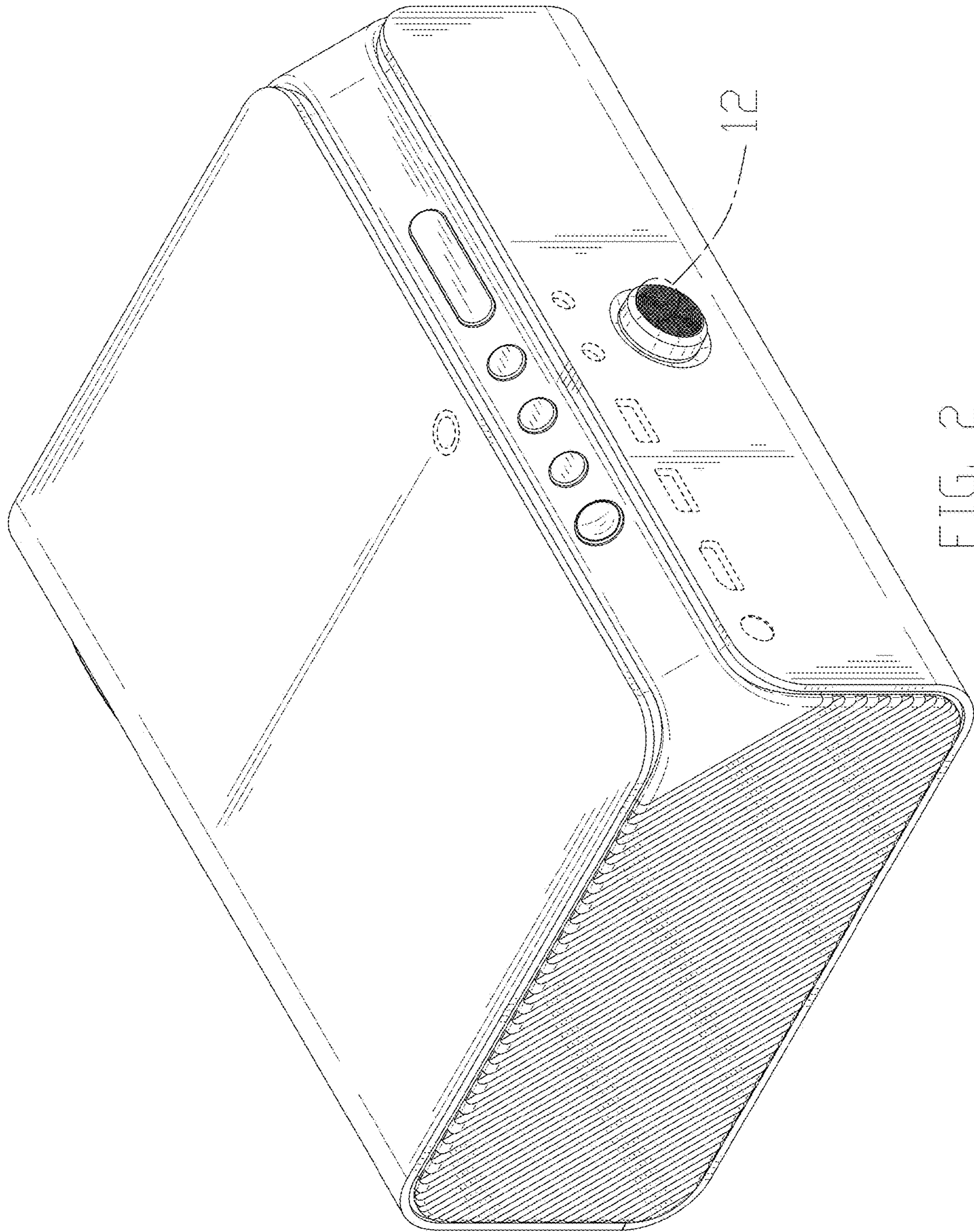


FIG. 2

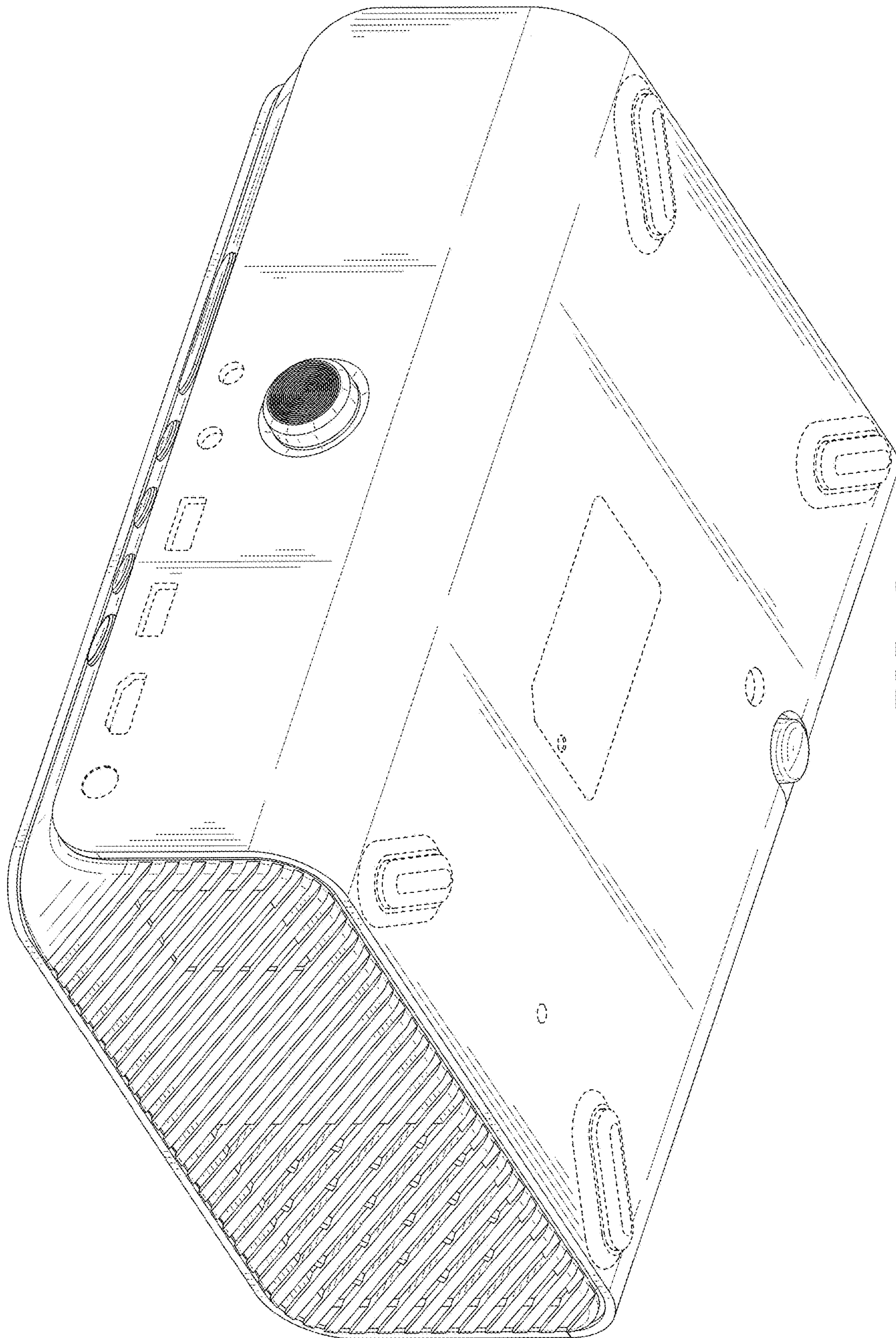


FIG. 3

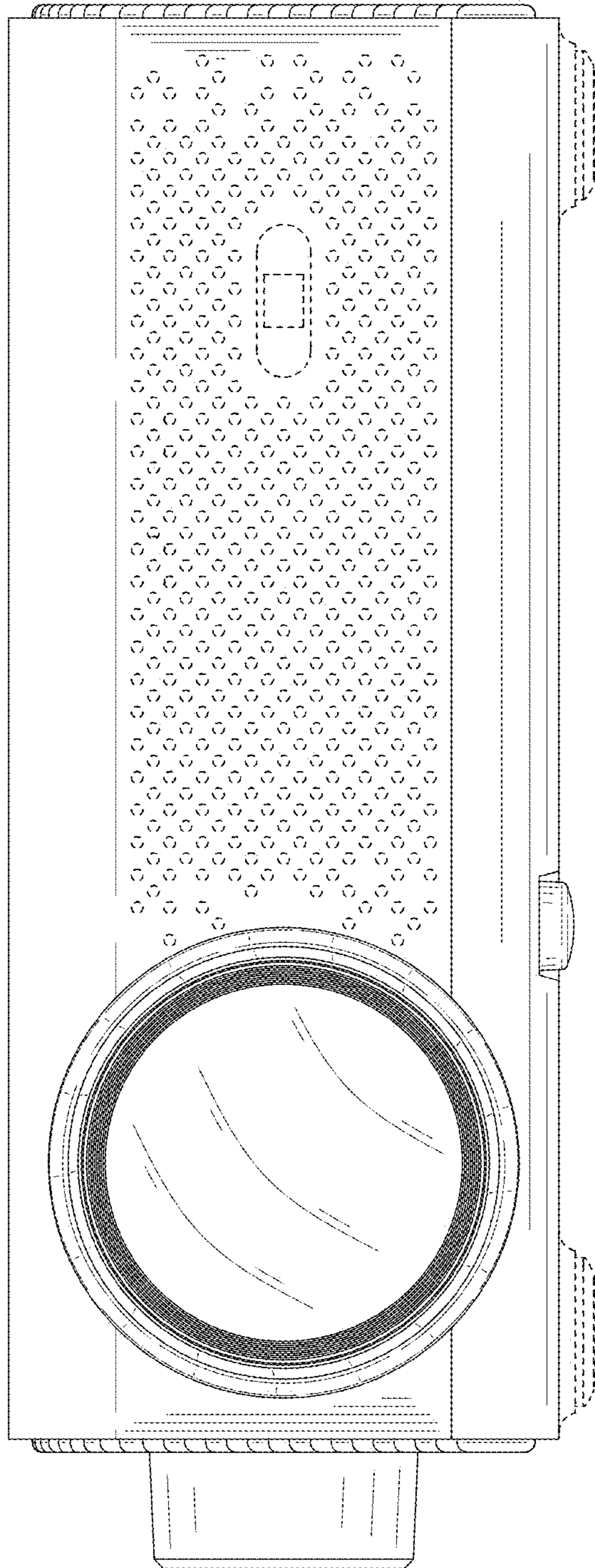


FIG. 4

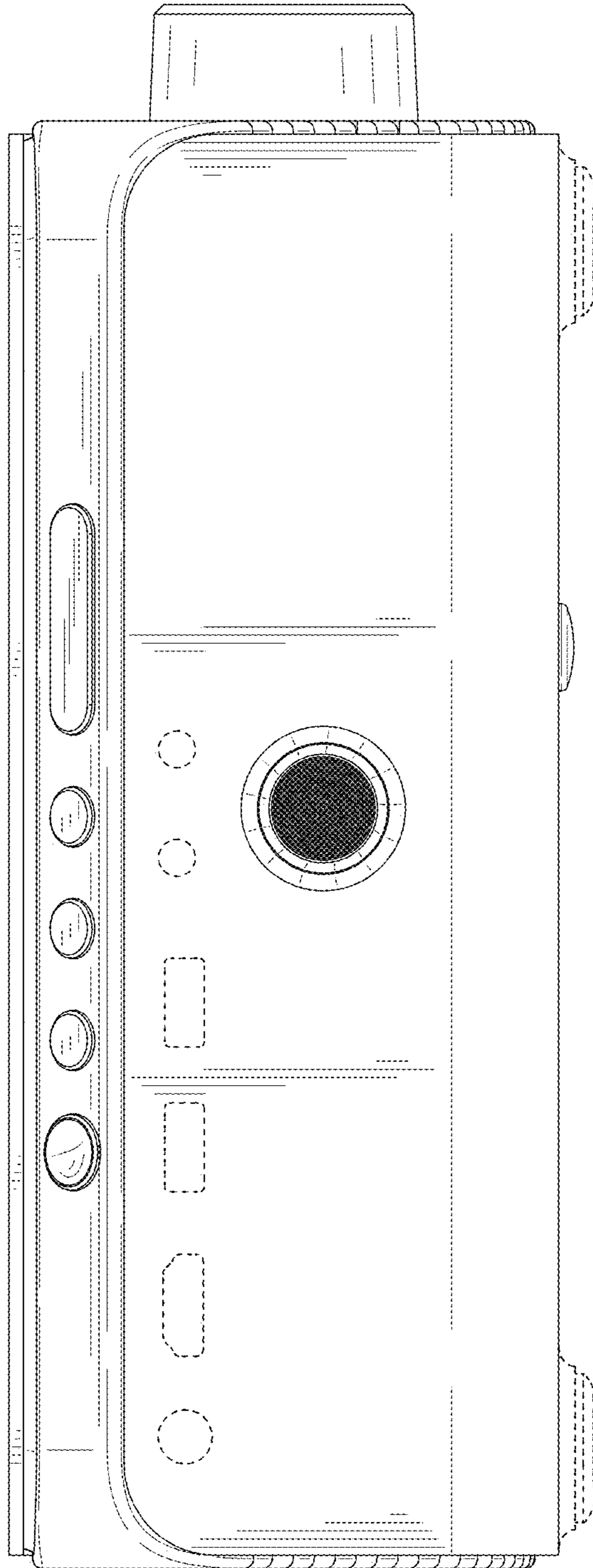


FIG. 5

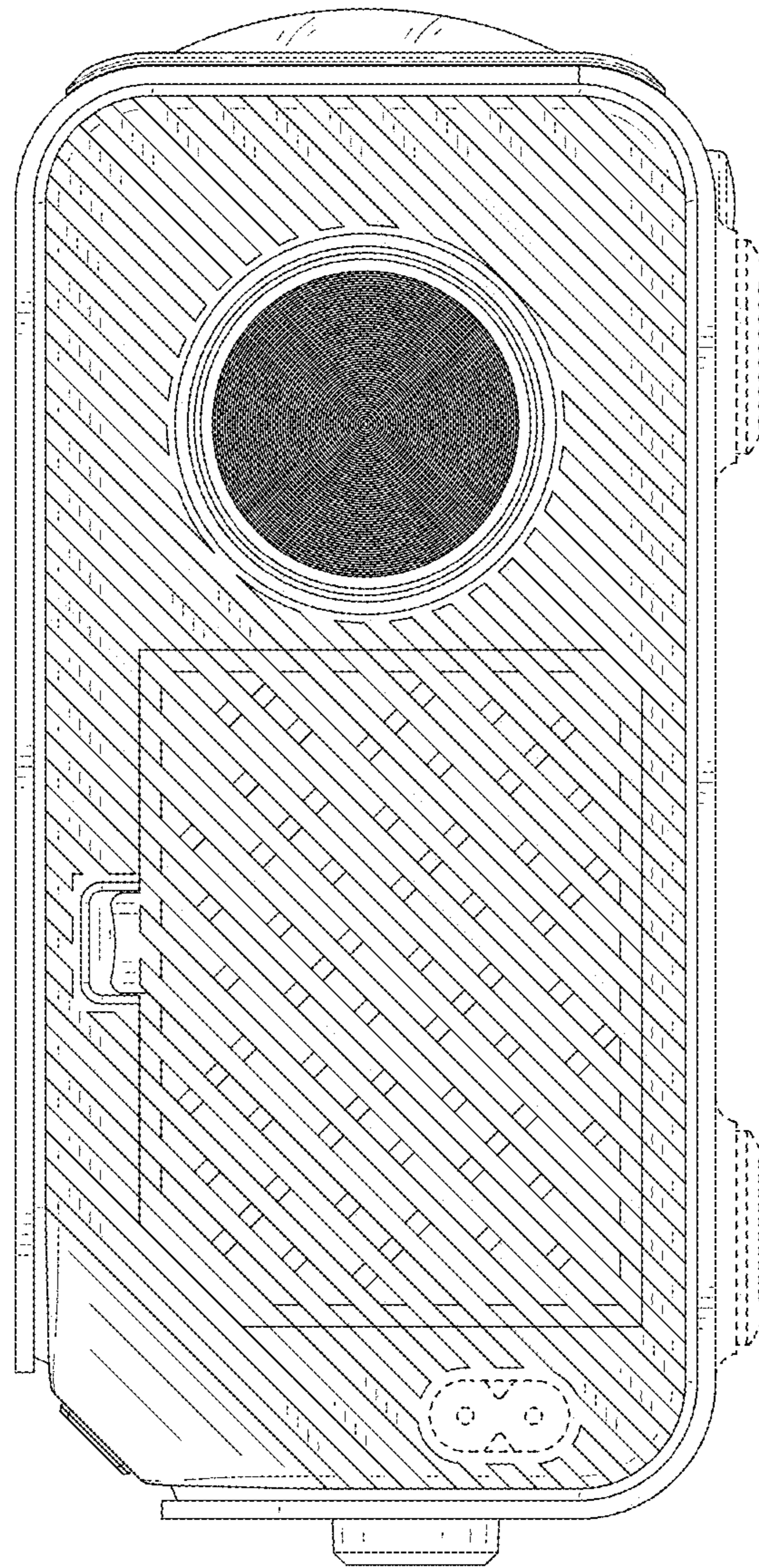


FIG. 6

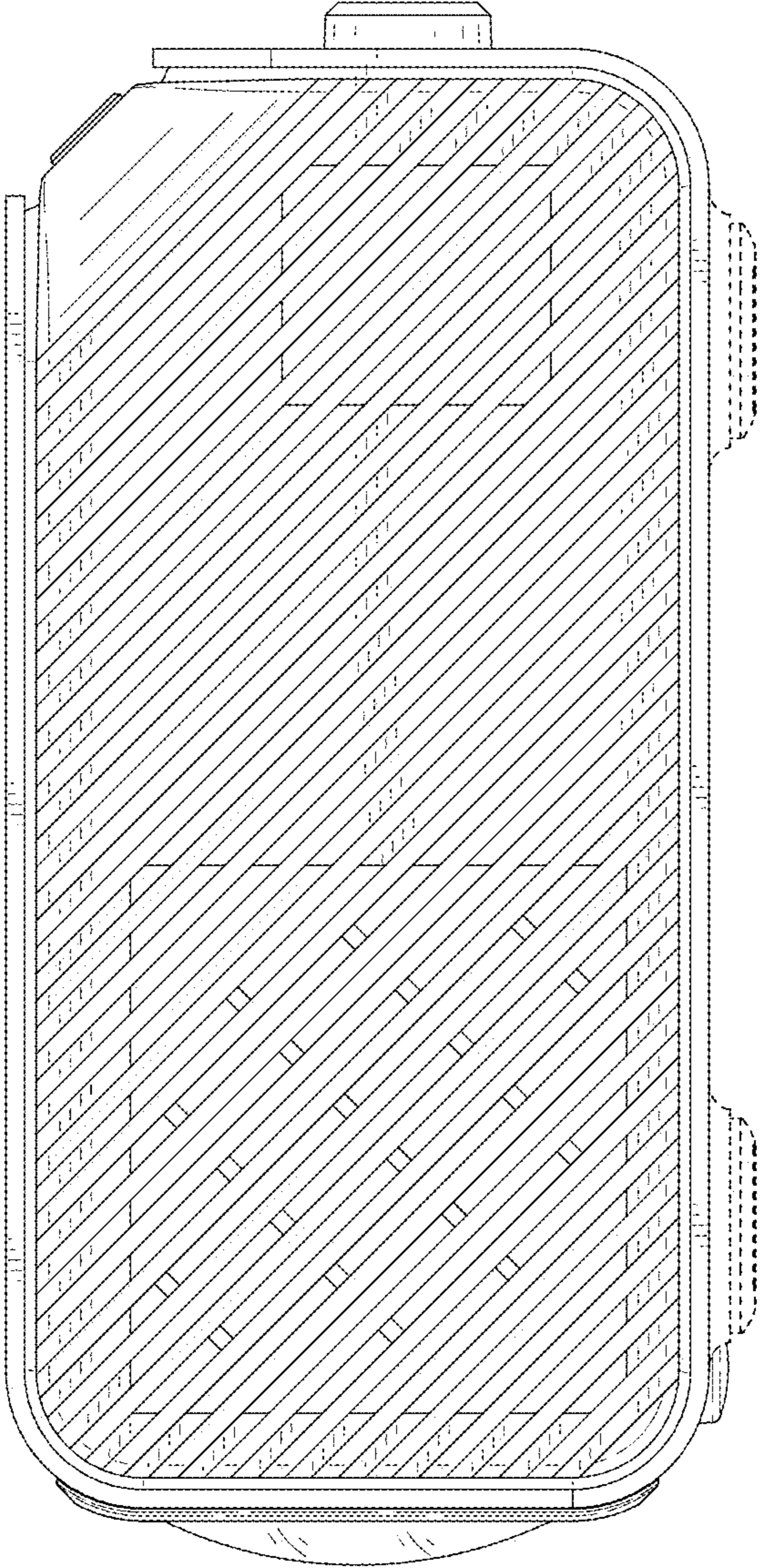


FIG. 7

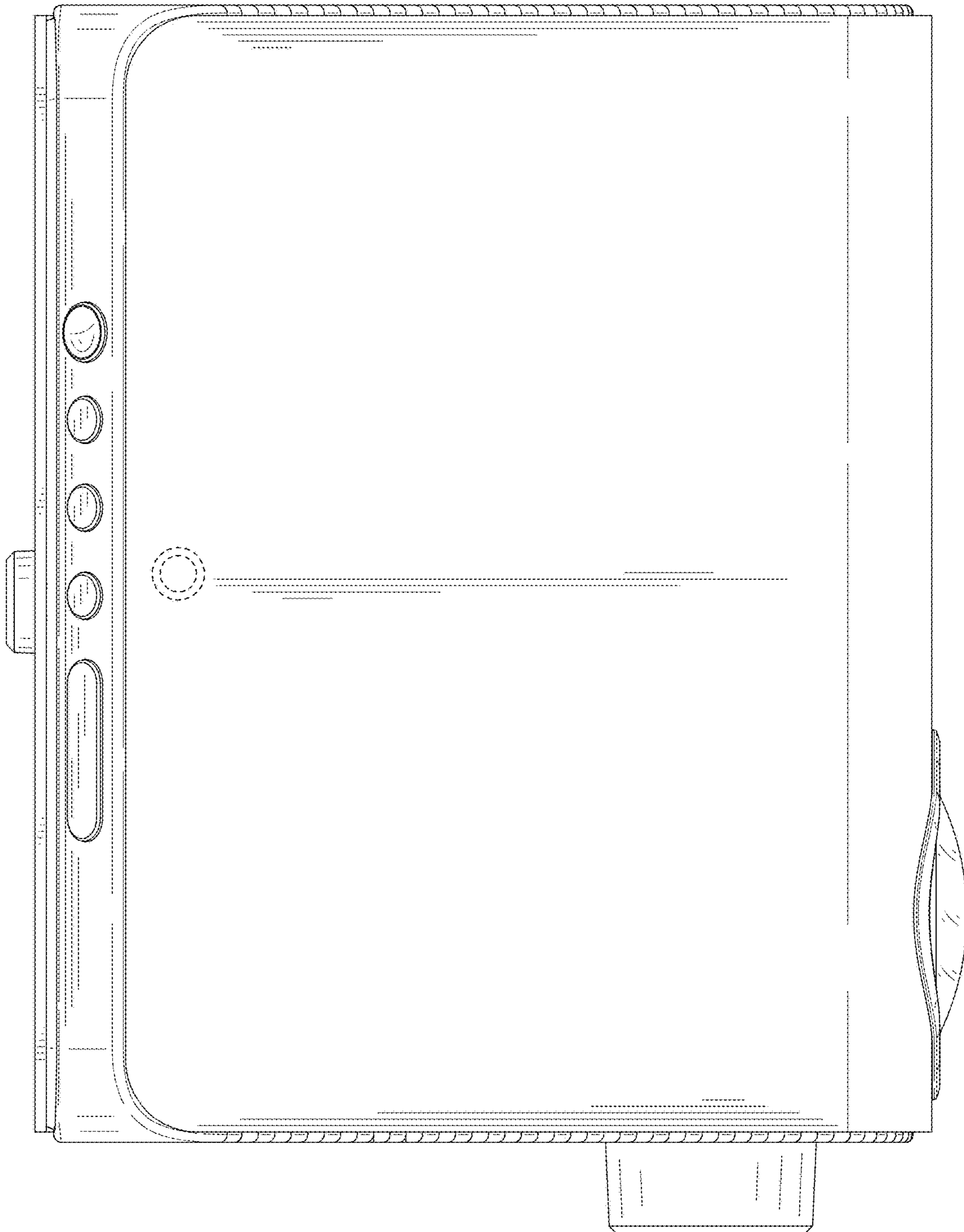


FIG. 8

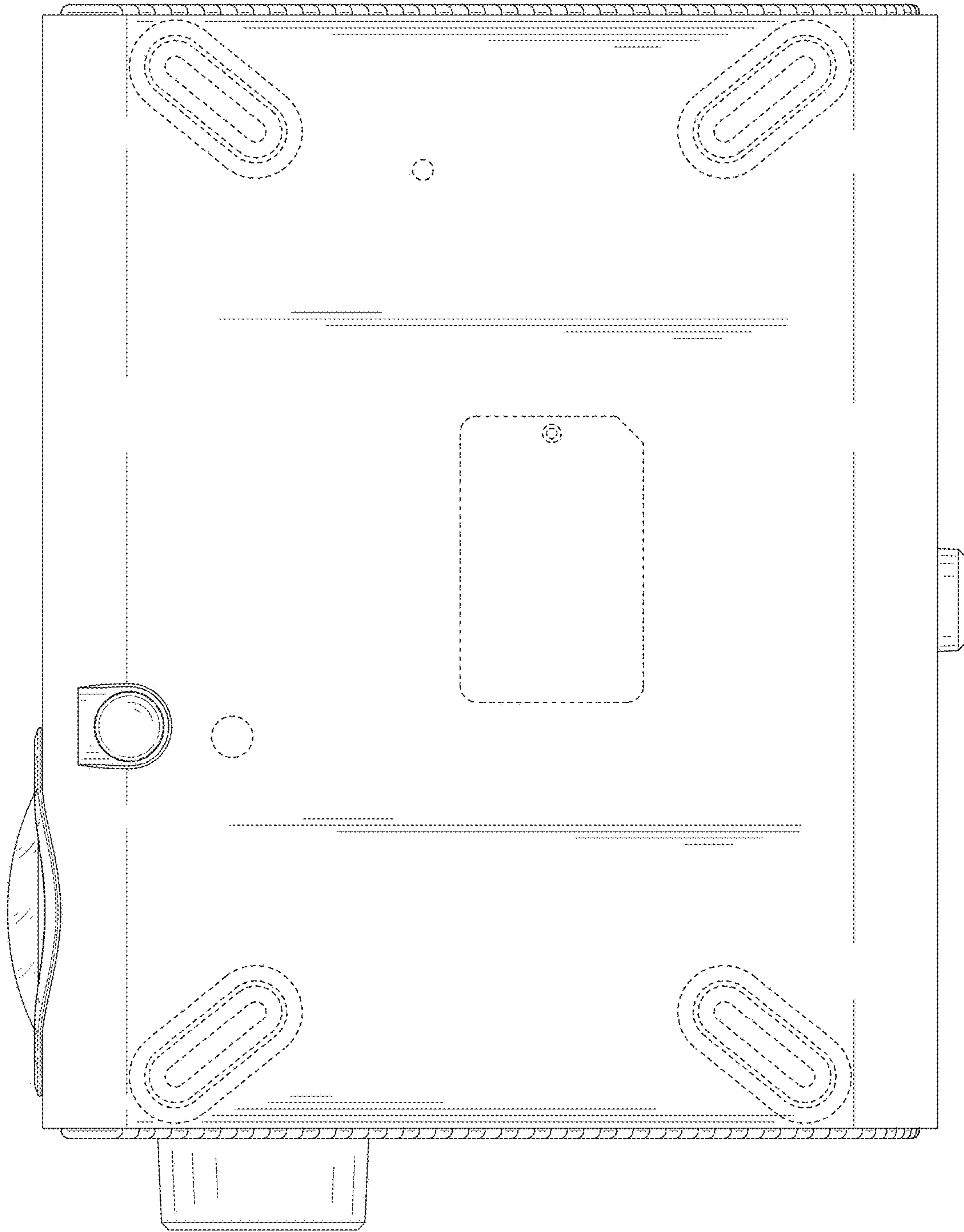


FIG. 9

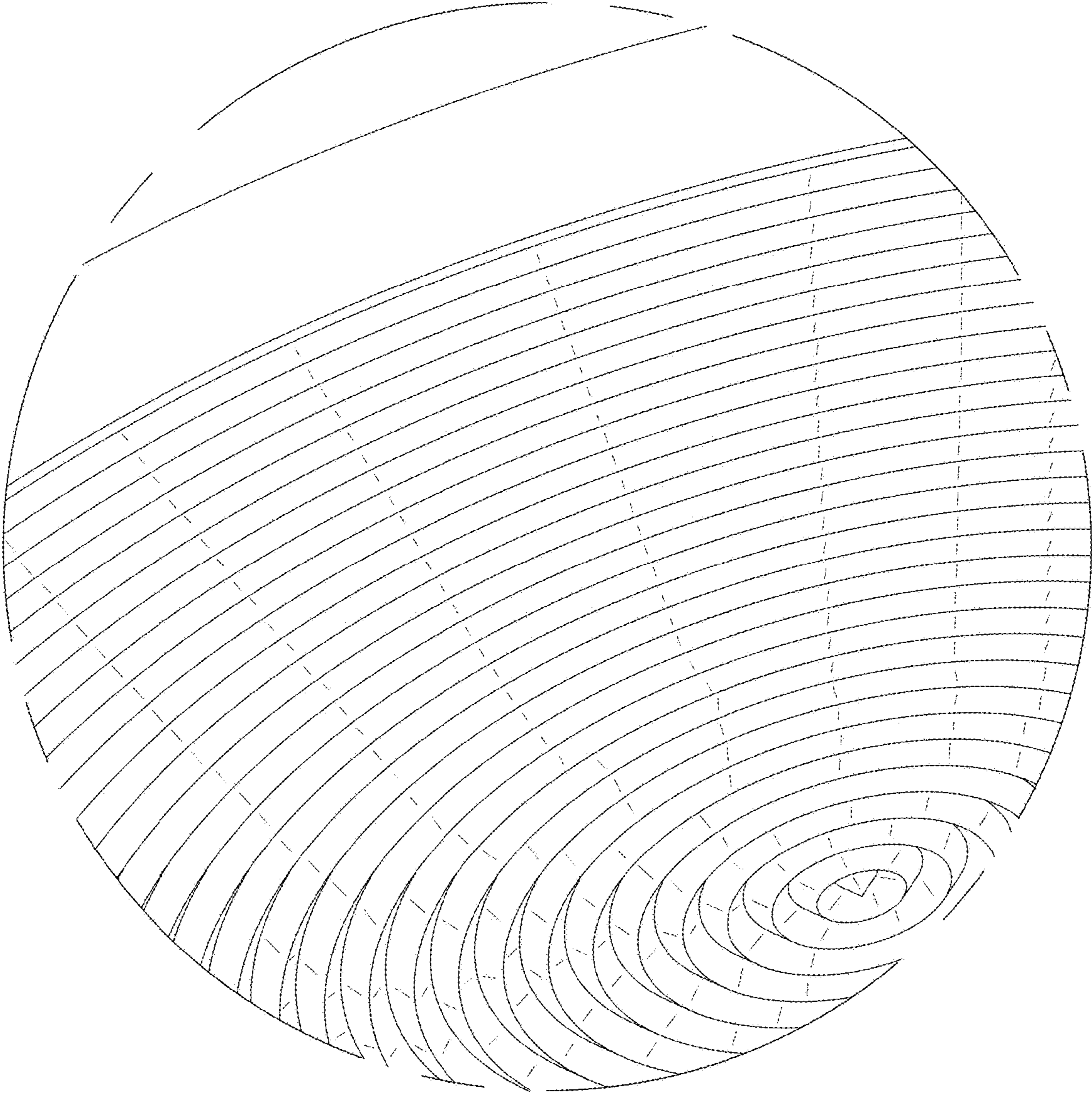


FIG. 10

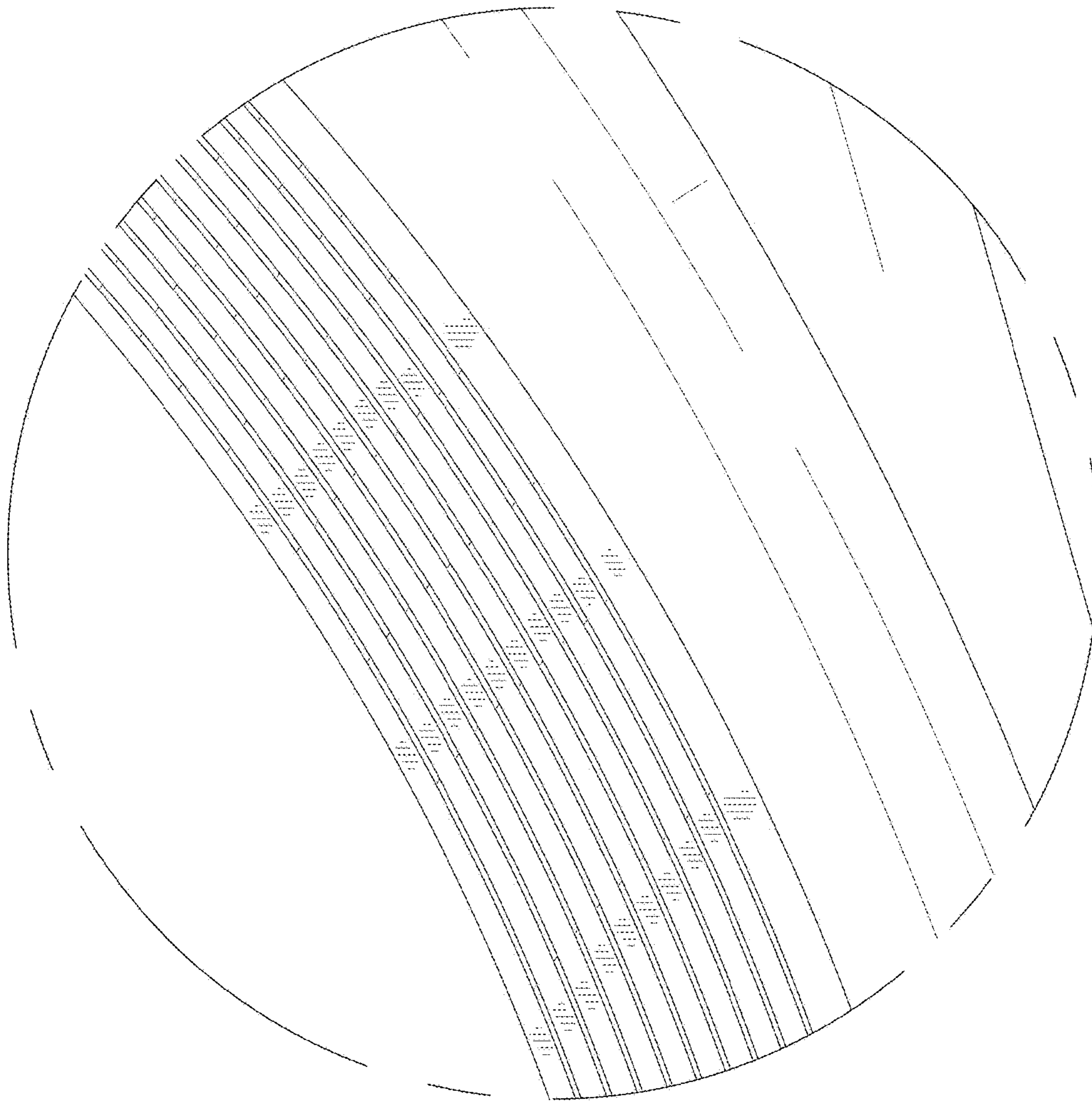


FIG. 11

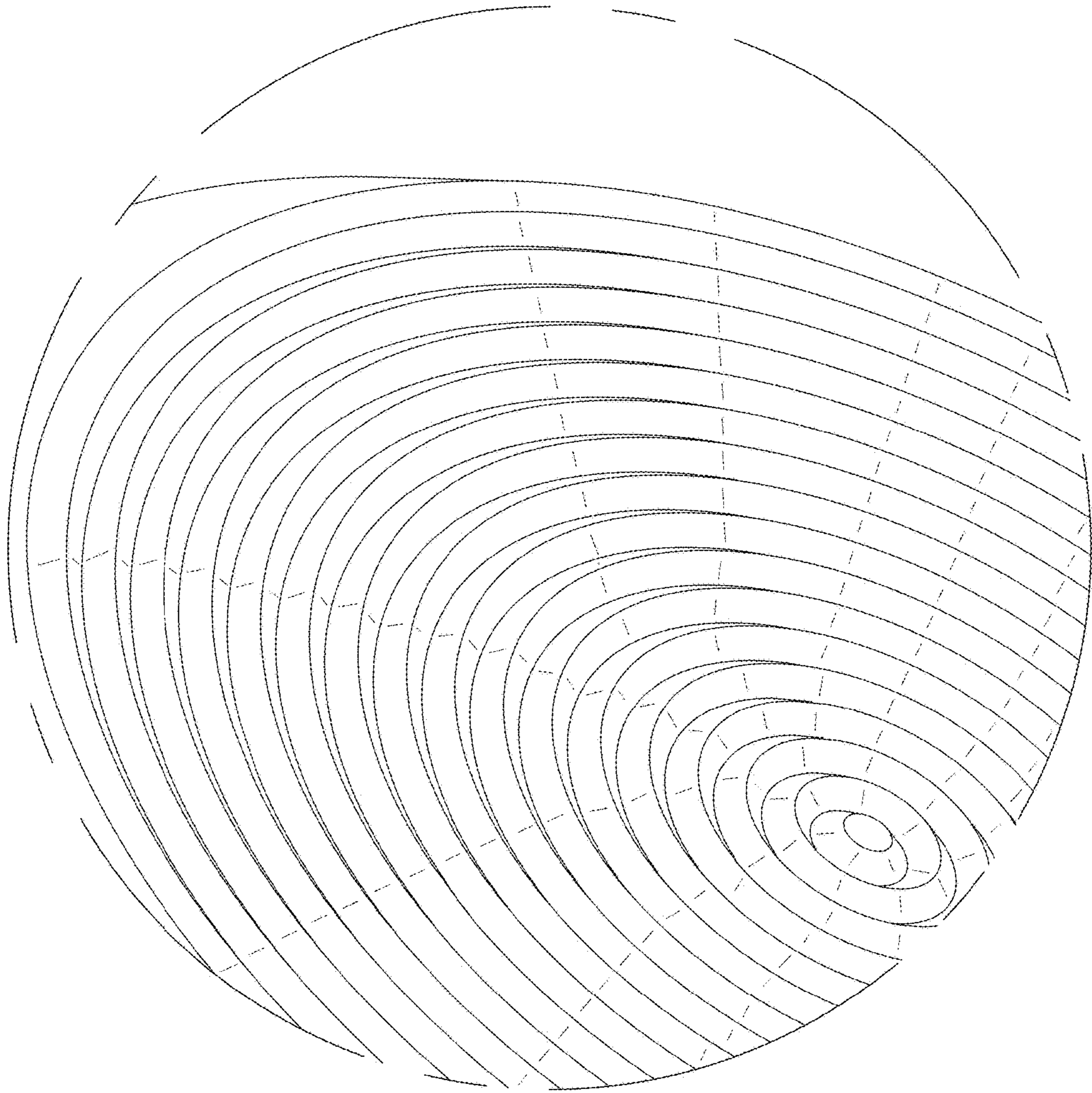


FIG. 12